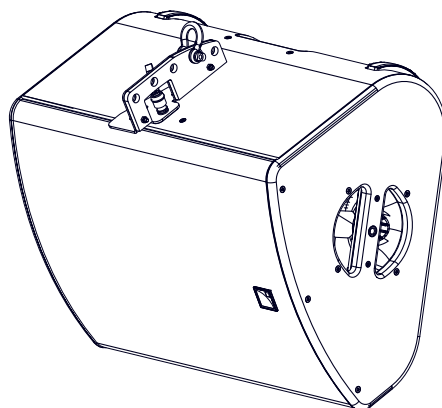
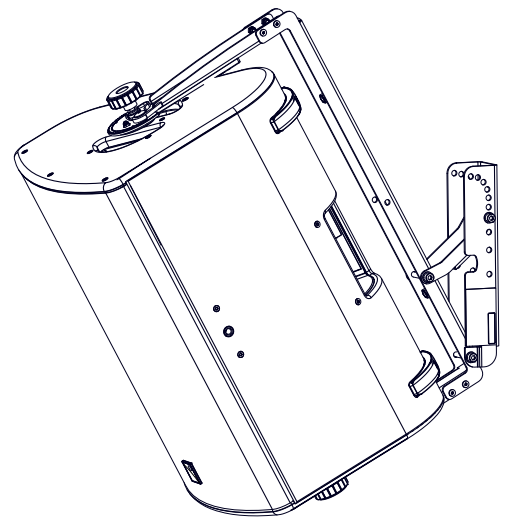
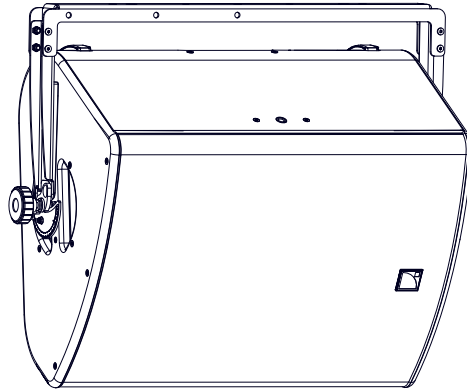
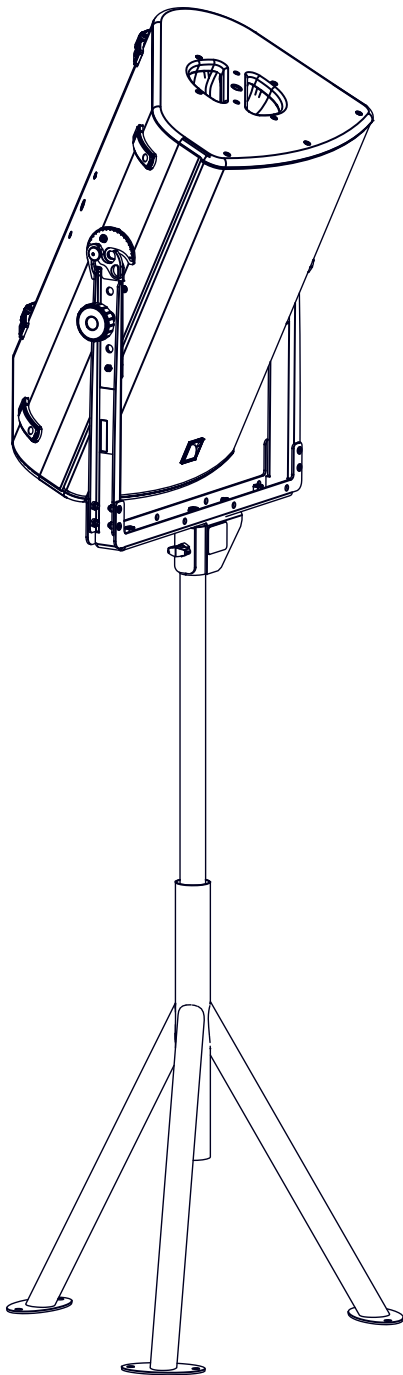


# X 15 HiQ



owner's manual (EN)



Document reference: X15 HiQ owner's manual (EN) version 2.0

Distribution date: December 7, 2021

© 2021 L-Acoustics. All rights reserved.

No part of this publication may be reproduced or transmitted in any form or by any means without the express written consent of the publisher.

## Contents

Safety.....	5
Instructions.....	5
Introduction.....	7
X15 HiQ reference stage monitor.....	7
How to use this manual.....	7
Revision history.....	8
System components.....	8
System component illustrations.....	9
Electro-acoustical description.....	11
Directivity.....	11
Monitor angles.....	12
Preset description.....	12
Connectors.....	13
Rigging system description.....	14
X15 HiQ.....	14
Elements for flying and wall-mounting.....	16
X-US1215 and X-UL15.....	16
X-UTILT.....	18
X-BAR.....	19
Elements for pole-mounting.....	21
Pole sockets.....	21
EMBi.....	22
Subwoofers.....	23
Mechanical safety.....	24
Loudspeaker configurations.....	25
X15 HiQ point source.....	25
X15 HiQ point source with LF.....	26
X15 HiQ with SB18.....	26
X15 HiQ with KS21.....	27
X15 HiQ stage monitor.....	29
Low-latency preset.....	29
Paired X15 HiQ monitors with LFC.....	29
X15 HiQ stage monitor with LF.....	30
X15 HiQ with SB18.....	30







X15 HiQ with KS21.....	31
Inspection and preventive maintenance.....	32
How to do preventive maintenance.....	32
Rigging part inspection.....	32
Mechanical system overview.....	33
Inspection references.....	37
Acoustical check.....	39
Rigging procedures.....	43
Wall-mounting and ceiling-mounting.....	43
Mounting on X-US1215 or X-UL15.....	43
Using X-US1215 or X-UL15 with X-UTILT.....	47
Flying.....	53
Flying with X-US1215 or X-UL15.....	53
Flying with X-BAR.....	58
Pole-mounting.....	62
Pole-mounting with X-US1215.....	62
Connection to LA amplified controllers.....	67
Corrective maintenance.....	68
Introduction.....	68
X15 HiQ.....	69
Specifications.....	78
X15 HiQ.....	78
SB18.....	80
SB18 Ili.....	82
KS21.....	84
KS21i.....	86
X-UL15.....	88
X-US1215.....	89
X-UTILT.....	90
X-BAR.....	91
EMBi.....	92
APPENDIX: Recommendation for speaker cables.....	93



# Safety

## Instructions

---

-  **Inspect the system before any deployment.**  
Perform safety related checks and inspections before any deployment.
- Perform preventive maintenance at least once a year.**  
Refer to the preventive maintenance section for a list of actions and their periodicity.  
Insufficient upkeep of the product can void the warranty.
- If any safety issue is detected during inspection, do not use the product before performing corrective maintenance.**  
Check for issues. A rigging system part or fastener is missing or loose. A rigging system part exhibits: bends, breaks, broken parts, corrosion, cracks, cracks in welded joints, deformation, denting, wear, holes. A safety cue or label is missing.
-  **Never incorporate equipment or accessories not approved by L-Acoustics.**
-  **Read all the related PRODUCT INFORMATION documents shipped with the products before exploiting the system.**
-  **Do not store the product on an unstable cart, stand, tripod, bracket, or table.**
-  **Beware of sound levels.**  
Do not stay within close proximity of loudspeakers in operation.  
Loudspeaker systems are capable of producing very high sound pressure levels (SPL) which can instantaneously lead to permanent hearing damage to performers, production crew and audience members. Hearing damage can also occur at moderate level with prolonged exposure to sound.  
Check the applicable laws and regulations relating to maximum sound levels and exposure times.
-  **Work with qualified personnel for rigging the system**  
Installation should only be carried out by qualified personnel that are familiar with the rigging techniques and safety recommendations outlined in this manual.
- Ensure personnel health and safety**  
During installation and set-up personnel must wear protective headgear and footwear at all times. Under no circumstances is personnel allowed to climb on a loudspeaker assembly.
- Respect the Working Load Limit (WLL) of third party equipment.**  
L-Acoustics is not responsible for any rigging equipment and accessories provided by third party manufacturers. Verify that the Working Load Limit (WLL) of the suspension points, chain hoists and all additional hardware rigging accessories is respected.
- Respect the maximum configurations and the recommended safety precautions.**  
For safety issue, respect the maximum configurations outlined in this manual. To check the conformity of any configuration in regards with the safety precautions recommended by L-Acoustics, model the system in Soundvision and refer to the warnings in Mechanical Data section.
- Be cautious when flying a loudspeaker configuration.**  
Before installing/raising the product, check each individual element to make sure that it is securely fastened to the adjacent element. Always verify that no one is standing underneath the product when it is being installed/raised. Never leave the product unattended during the installation process.  
As a general rule, L-Acoustics recommends the use of secondary safety at all times.
- Be cautious when ground-stacking a loudspeaker array.**  
Do not stack the loudspeaker array on unstable ground or surface. If the array is stacked on a structure, platform, or stage, always check that the latter can support the total weight of the array.  
As a general rule, L-Acoustics recommends the use of safety straps at all times.

**Risk of falling objects**

Verify that no unattached items remain on the product or assembly.

**Risk of tipping**

Remove all rigging accessories before transporting a product or an assembly.

**Take into account the wind effects on dynamic load.**

When a loudspeaker assembly is deployed in an open air environment, wind can produce dynamic stress to the rigging components and suspension points.

If the wind force exceeds 6 bft (Beaufort scale), lower down and/or secure the product or the assembly.

**Intended use**

This system is intended for use by trained personnel for professional applications.



**As part of a continuous evolution of techniques and standards, L-Acoustics reserves the right to change the specifications of its products and the content of its documents without prior notice.**

Check [www.l-acoustics.com](http://www.l-acoustics.com) on a regular basis to download the latest document and software updates.

**Long term exposure to extreme conditions may damage the product.**

For more information, refer to the **Products weather protection** document, available on the website.

**Read the maintenance section of this document before servicing the product.****Contact L-Acoustics for advanced maintenance.**

Any unauthorized maintenance operation will void the product warranty.



This marking indicates that this product should not be disposed of with other household waste throughout the EU. To prevent possible harm to the environment or human health from uncontrolled waste disposal, recycle it responsibly to promote the sustainable reuse of material resources. To return your used device, please use the return and collection systems or contact the retailer where the product was purchased. They can take this product for environmentally safe recycling.



# Introduction

## X15 HiQ reference stage monitor

---

The X15 HiQ is an active coaxial system designed as a reference stage monitor. The enclosure features a 3" diaphragm compression driver coaxially-loaded by a 15" low frequency transducer in a bass-reflex cabinet. The L-Vents laminar vented ports reduce turbulence and port noise at high levels to increase LF efficiency.

The X15 HiQ operates from 55 Hz to 20 kHz. The coaxial transducer arrangement and its ellipsoid waveguide produce a 40° x 60° directivity pattern with a smooth tonal response free of secondary lobes over the entire frequency range. As a result, X15 HiQ boasts an exceptional immunity to feedback.

The L-Acoustics amplified controllers ensure the advanced crossover functions, time alignment, linearization and L-Drive protection of the transducers.

## How to use this manual

---

The X15 HiQ owner's manual is intended for all actors involved in the system design, implementation, preventive and corrective maintenance of the X15 HiQ system. It must be used as follows:

1. Read the technical description for an overview of all system elements, their features, and their compatibilities.
  - [Electro-acoustical description](#) (p.11)
  - [Rigging system description](#) (p.14)
2. Prepare the system configuration. Consider the mechanical limits and the available acoustical configurations.
  - [Mechanical safety](#) (p.24)
  - [Loudspeaker configurations](#) (p.25)
3. Before rigging the system, perform mandatory inspections and functional checks.
  - [Inspection and preventive maintenance](#) (p.32)
4. To deploy the system, follow the step-by-step rigging instructions and refer to the cabling schemes.
  - [Rigging procedures](#) (p.43)
  - [Connection to LA amplified controllers](#) (p.67)



The [Corrective maintenance](#) (p.68) section contains the operations authorized for the end user.

Performing another operation exposes to hazardous situations.

For advanced maintenance, contact your L-Acoustics representative.

**As part of a continuous evolution of techniques and standards, L-Acoustics reserves the right to change the specifications of its products and the content of its document without prior notice.** Please check [www.l-acoustics.com](http://www.l-acoustics.com) on a regular basis to download the latest document and software updates.

## Contact information

For information on advanced corrective maintenance:

- contact your Certified Provider or your L-Acoustics representative
- for Certified Providers, contact the L-Acoustics customer service: [customer.service@l-acoustics.com](mailto:customer.service@l-acoustics.com)

## Symbols

The following symbols are used in this document:



This symbol indicates a potential risk of harm to an individual or damage to the product.

It can also notify the user about instructions that must be strictly followed to ensure safe installation or operation of the product.



This symbol notifies the user about instructions that must be strictly followed to ensure proper installation or operation of the product.



This symbol notifies the user about complementary information or optional instructions.

## Revision history

version number	publication date	modification
1.0	May 2021	<ul style="list-style-type: none"> <li>Migrated to owner's manual format.</li> <li>Added KS21(i) and SB18 Ili as compatible subwoofers, removed SB18i.</li> </ul>
2.0	Dec. 2021	<ul style="list-style-type: none"> <li>Moved and clarified information from Forbidden configurations section to Rigging system description and Rigging procedures.</li> <li>Updated <a href="#">Mechanical safety</a> (p.24) according to EN 62368-1: 2014 standard.</li> <li>Added pre-alignment delay values in <a href="#">X15 HiQ point source with LF</a> (p.26) for subwoofers in cardioid configuration.</li> </ul>

## System components

### Loudspeaker enclosures

X15 HiQ	2-way active coaxial enclosure: 15" LF + 3" HF diaphragm
SB18	High power compact subwoofer: 1 x 18"
SB18 Ili	High power compact subwoofer: 1 x 18" (installation version)
KS21	High power compact subwoofer: 1x21"
KS21i	High power compact subwoofer: 1 x 21" (installation version)

### Powering and driving system

LA4X / LA8 / LA12X Amplified controller with DSP, preset library and networking capabilities



Refer to the LA4X / LA8 / LA12X owner's manual for operating instructions.

### Racks

LA-RAK	Touring rack containing three LA8 and power, audio and network distribution
LA-RAK II AVB	Touring rack containing three LA12X, LA-POWER II for power distribution, LA-PANEL II for audio and network distribution, and two LS10 for AVB distribution

### Cables

SP cables	SpeakON loudspeaker cables (4-point, 4 mm <sup>2</sup> gauge) Come in different sizes: SP.7 (0.7 m/2.3 ft), SP5 (5 m/16.4 ft), SP10 (10 m/32.8 ft), and SP25 (25 m/82 ft)
DO cables	PA-COM loudspeaker cables (8-point, 4 mm <sup>2</sup> gauge) Come in different sizes: DO.7 (0.7 m/2.3 ft), DO.10 (10 m/32.8 ft), and DO.25 (25 m/82 ft)
DOFILL-LA8	Breakout cable for two 2-way active enclosures (4 mm <sup>2</sup> gauge) 8-point PA-COM to 2 x 4-point speakON
DO3WFILL	Breakout cable for one 2-way active enclosure and two passive enclosures (4 mm <sup>2</sup> gauge) 8-point PA-COM to 1 x 4-point speakON and 2 x 2-point speakON

**i** Information about the connection of the enclosures to the LA amplified controllers is given in this document.

Refer to the LA4X / LA8 / LA12X owner's manual for detailed instructions about the whole cabling scheme, including modulation cables and network.

### Rigging elements

X-UL15	Long U-bracket for X15 HiQ
X-US1215	Short U-bracket for X12 and X15 HiQ
X-UTILT	U-bracket wallmount for X series with tilt adjustment
X-BAR	Rigging bar for 1 enclosure
EMBi	Pole mount socket: 8XTi/12XTi and X series
CLAMP250	Clamp certified for 250 kg

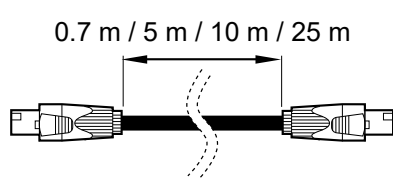
### Software applications

Soundvision	3D acoustical and mechanical modeling software
LA Network Manager	Software for remote control and monitoring of amplified controllers

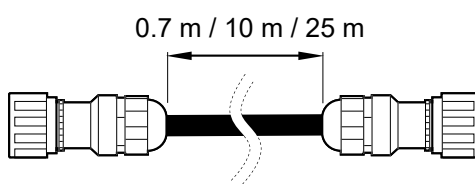
**i** Refer to the **Soundvision** help.  
Refer to the **LA Network Manager** help.

## System component illustrations

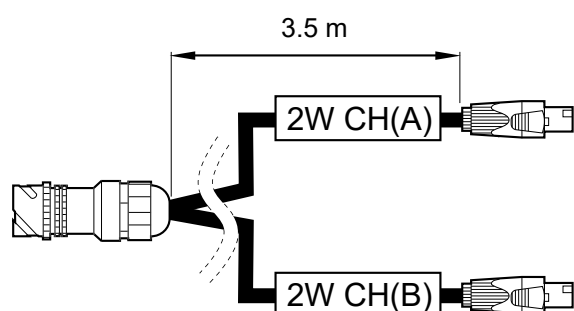
### Cables



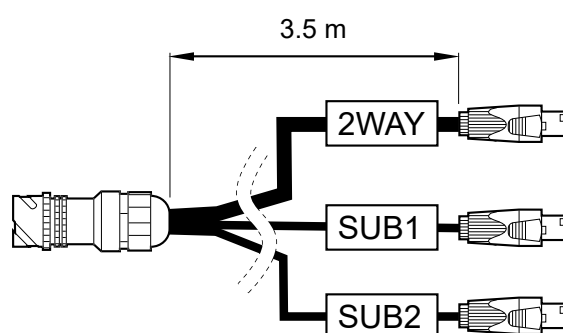
SP cables



DO cables

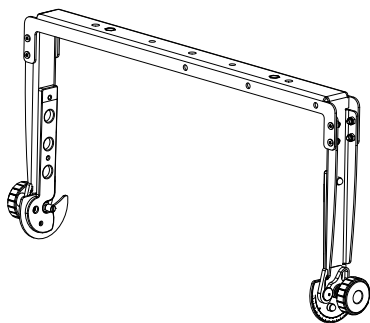


DOFILL-LA8

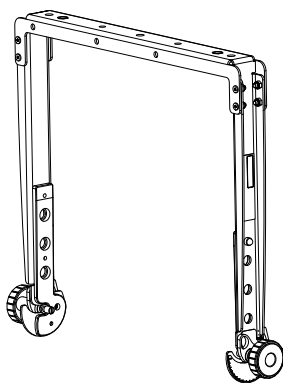


DO3WFILL

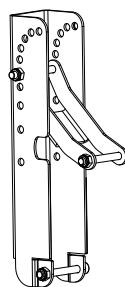
## Rigging accessories



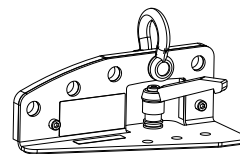
X-UL15



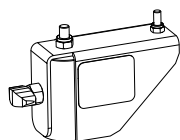
X-US1215



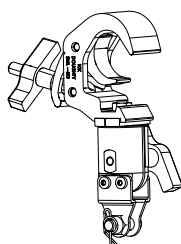
X-UTILT



X-BAR



EMBi

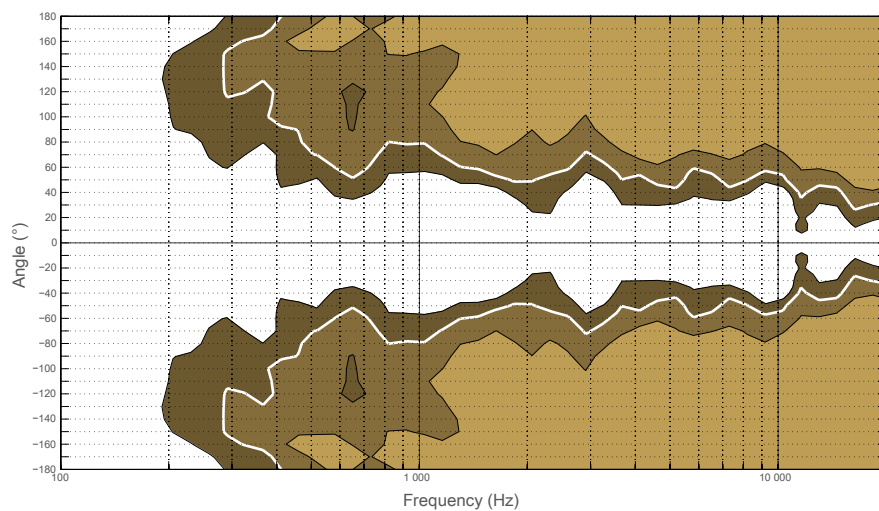
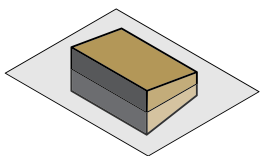
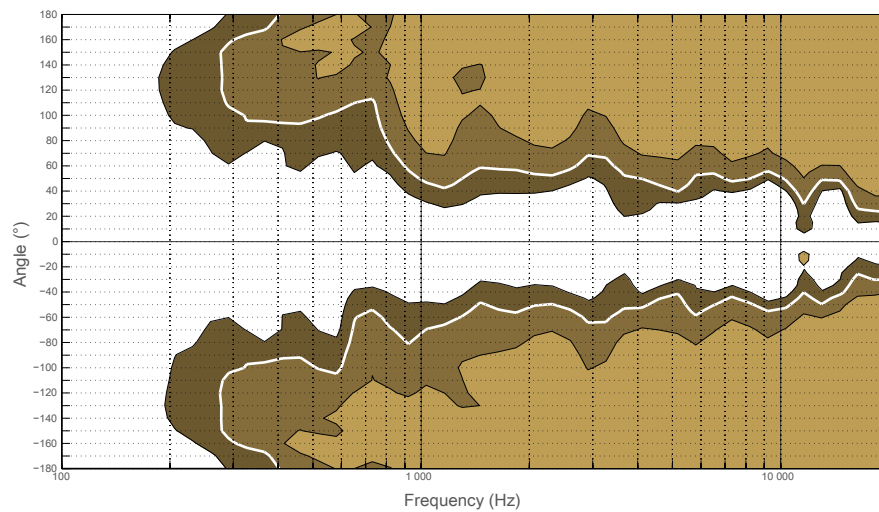
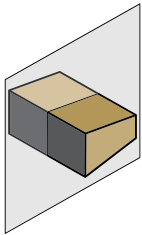


CLAMP250

# Electro-acoustical description

## Directivity

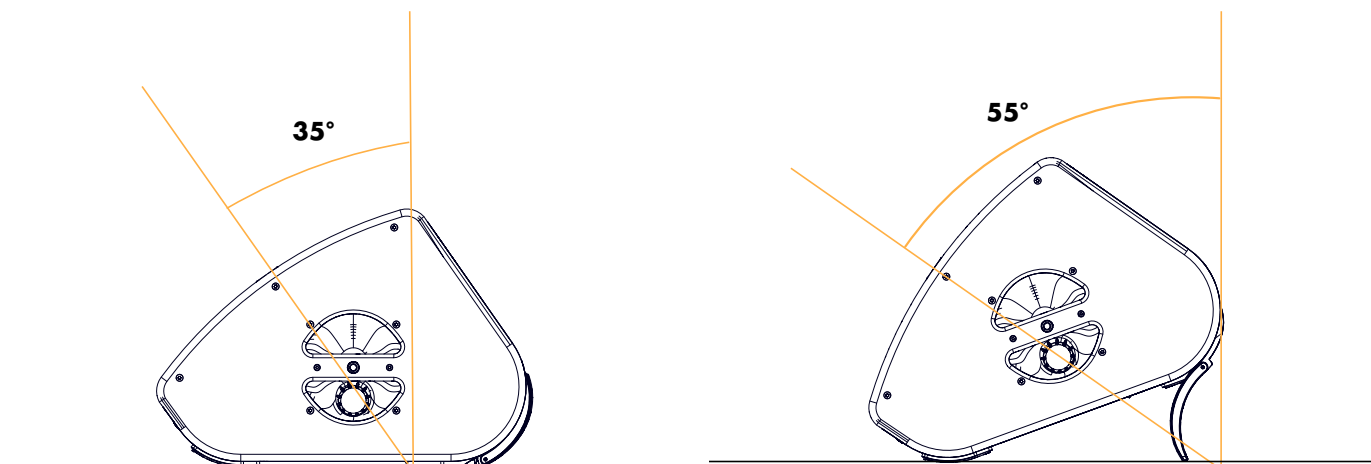
X15 HiQ features a coaxial transducer arrangement coupled with an ellipsoid waveguide that generates an H/V directivity pattern of  $40^\circ \times 60^\circ$ .



Dispersion angle diagram of a single X15 HiQ using lines of equal sound pressure at -3 dB, -6 dB, -12 dB.

## Monitor angles

X15 HiQ features risers that allow to change the monitor angle from 35° to 55°.



## Preset description

### [X15] [X15\_MO]

loudspeaker elements	outputs	channels	routing	gain	delay	polarity	mute
LF	OUT 1	LF	IN A	0 dB	0 ms	+	ON
HF	OUT 2	HF					ON
LF	OUT 3	LF	IN B	0 dB	0 ms	+	ON
HF	OUT 4	HF					ON

### [KS21\_60] [KS21\_100] [SB18\_100]

outputs	channels	routing	gain	delay	polarity	mute
OUT 1	SB	IN A	0 dB	0 ms	+	ON
OUT 2	SB	IN A	0 dB	0 ms	+	ON
OUT 3	SB	IN A	0 dB	0 ms	+	ON
OUT 4	SB	IN A	0 dB	0 ms	+	ON

### [KS21\_60\_C] [KS21\_100\_C] [KS21\_60\_Cx] [KS21\_100\_Cx] [SB18\_100\_C] [SB18\_100\_Cx]

loudspeaker elements	outputs	channels	routing	gain	delay	polarity	mute
SR	OUT 1	SR	IN A	0 dB	0 ms	+	ON
SB	OUT 2	SB					ON
SB	OUT 3	SB					ON
SB	OUT 4	SB					ON

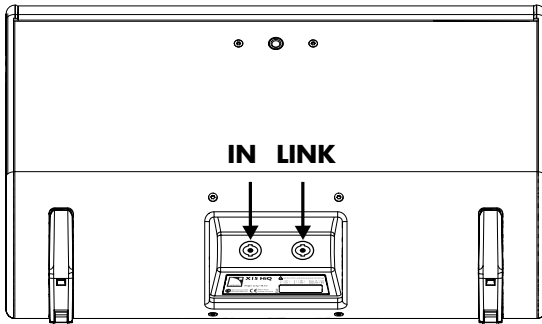


## Connectors

---



SpeakON connectors can be used interchangeably as IN or LINK connector.



X15 HiQ

2 × 4-point speakON

### Internal pinout for L-Acoustics 2-way active enclosures

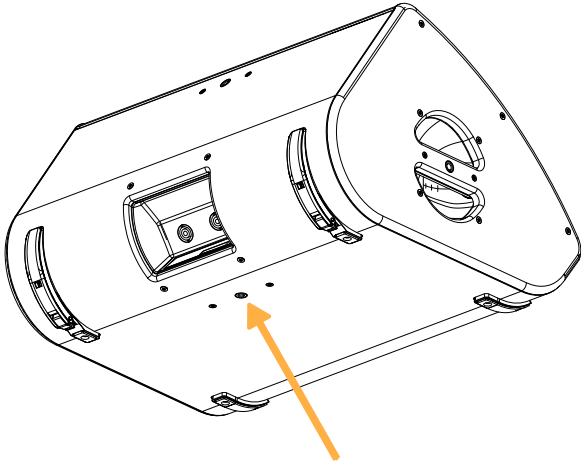
SpeakON points	1 +	1 -	2 +	2 -
Transducer connectors	LF +	LF -	HF +	HF -

## Rigging system description

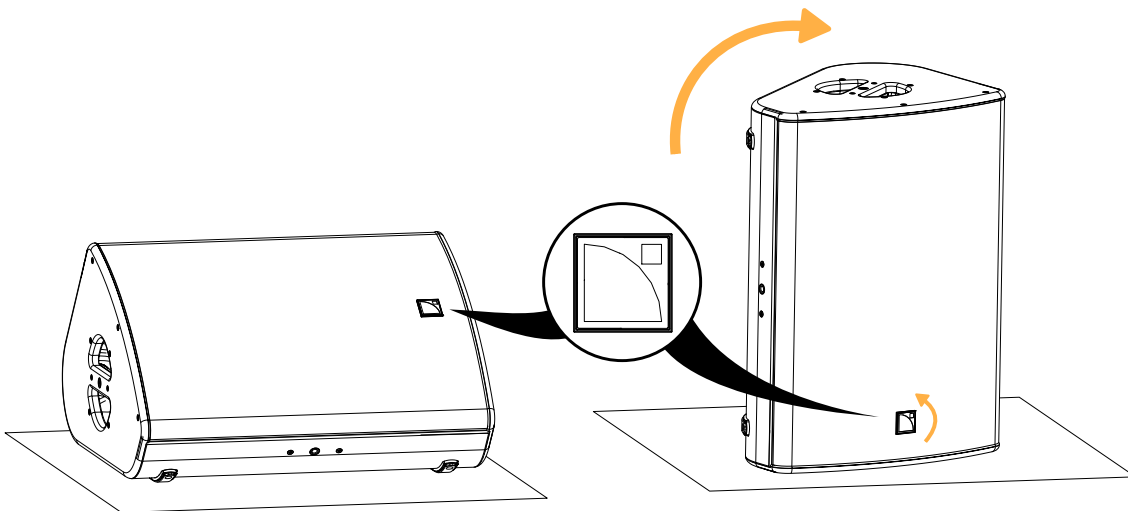
### X15 HiQ

---

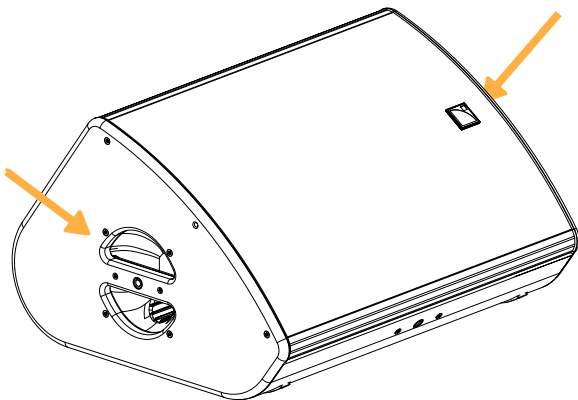
X15 HiQ features a M8 DIN580 threaded insert designed to implement a secondary safety.



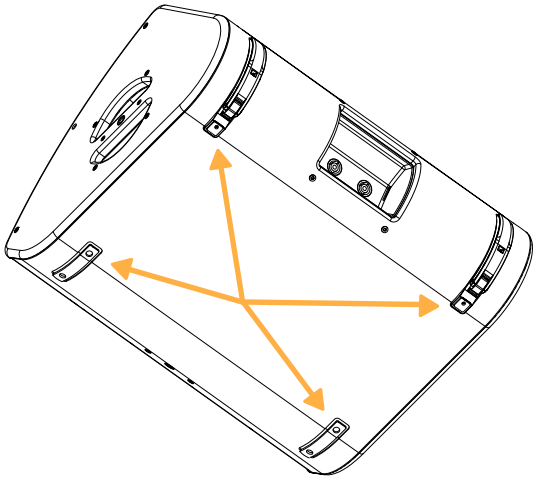
The logo on the enclosure front can be rotated to adapt to every configuration.



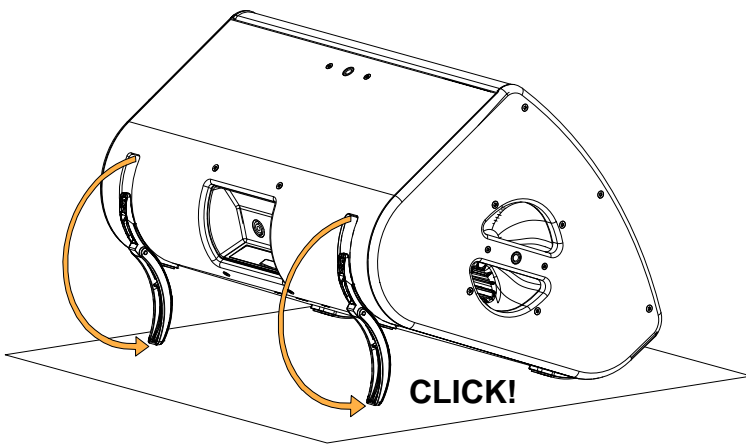
X15 HiQ features ergonomic handles on both sides for easy transportation.



X15 HiQ features four runners on the bottom to protect the enclosure.



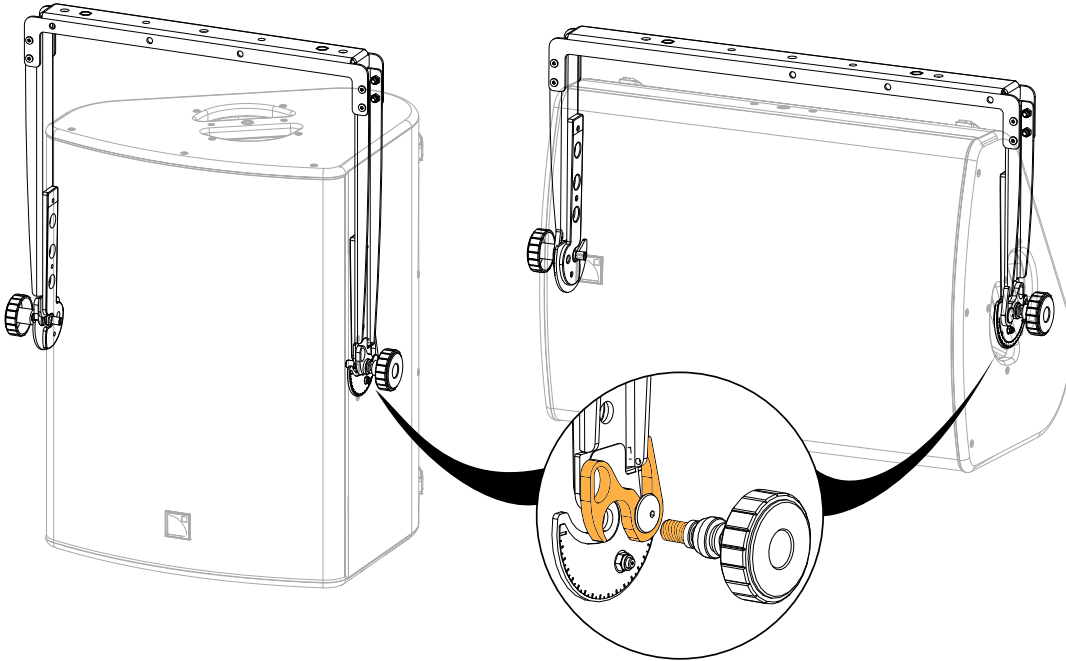
X15 HiQ features risers that allow to change the monitor angle from 35° to 55° relative to the vertical.



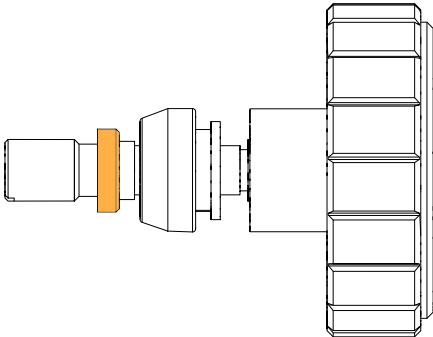
## Elements for flying and wall-mounting

### X-US1215 and X-UL15

X15 HiQ can be fitted with a short U-bracket, X-US1215, or a long U-bracket, X-UL15. The brackets are secured in the enclosure inserts with two threaded knobs. A spring-lock safety mechanism secures the knobs in the U-brackets.



The threaded knobs feature a washer as a safety to avoid the accidental loosening of the knob.

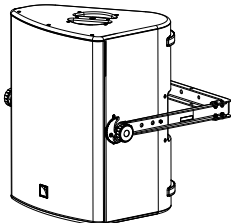


X-US1215 and X-UL15 can be used for wall-mounting, ceiling-mounting or flying X15 HiQ.



#### Short U-bracket in horizontal position

In this position, the enclosure applies a diagonal force of **419 daN** on the anchoring points.

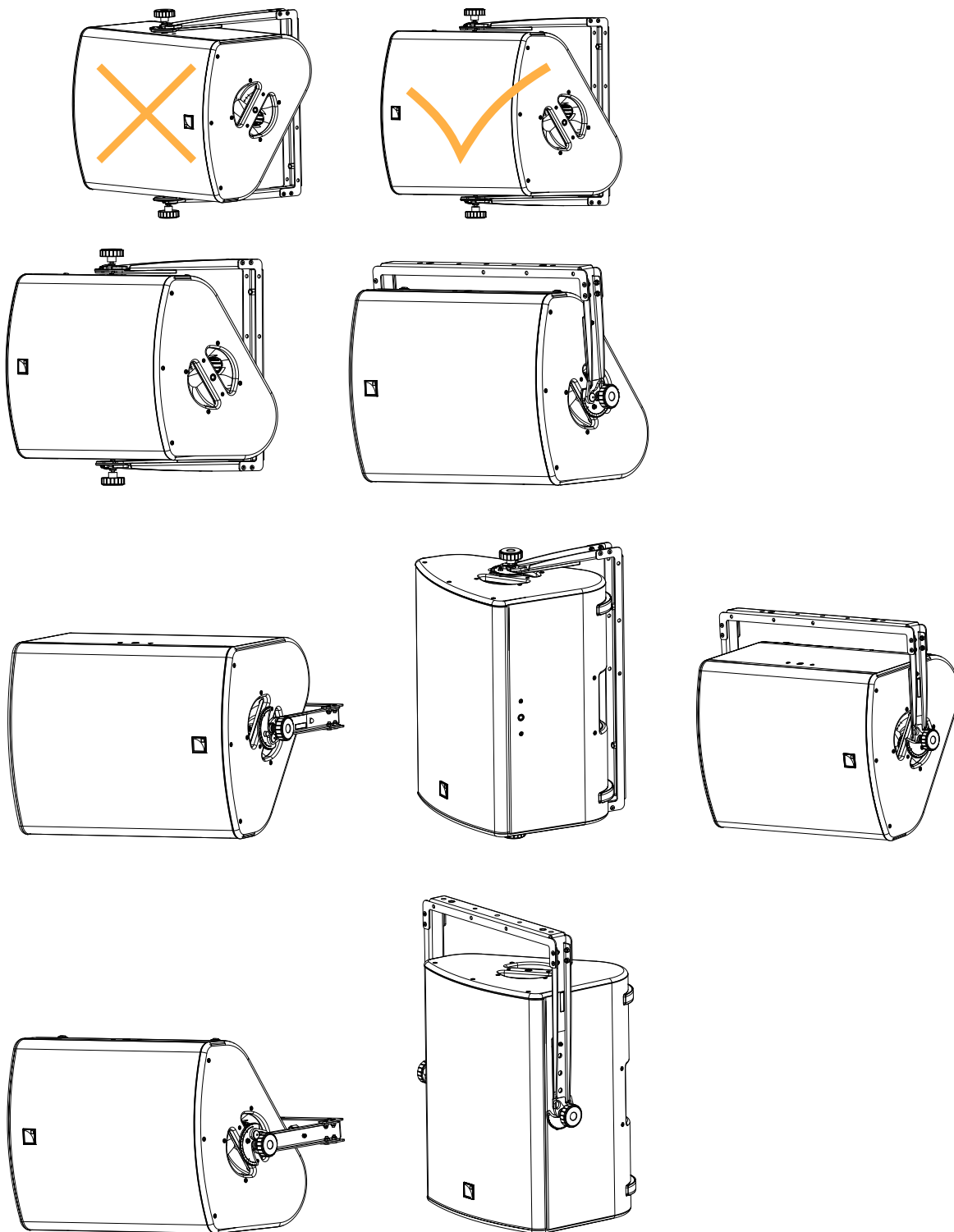


#### Fasteners for wall-mounting or ceiling-mounting

Secure the bracket with three M10 screws.

Select screw length and anchors applicable to the wall or ceiling properties.

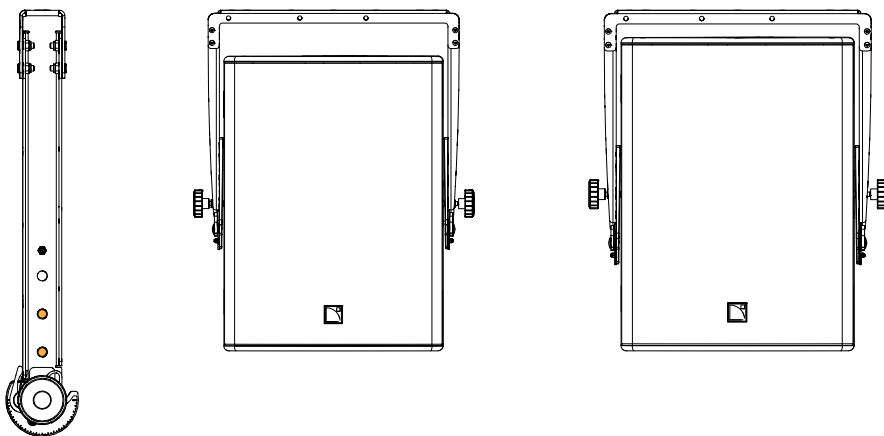
**!** When wall-mounting X15 HiQ horizontally with X-US1215, it is recommended to mount the enclosure with the logo on the left. In this position, the cabinet is resting on the bracket's gasket, which prevents the enclosure from rotating.



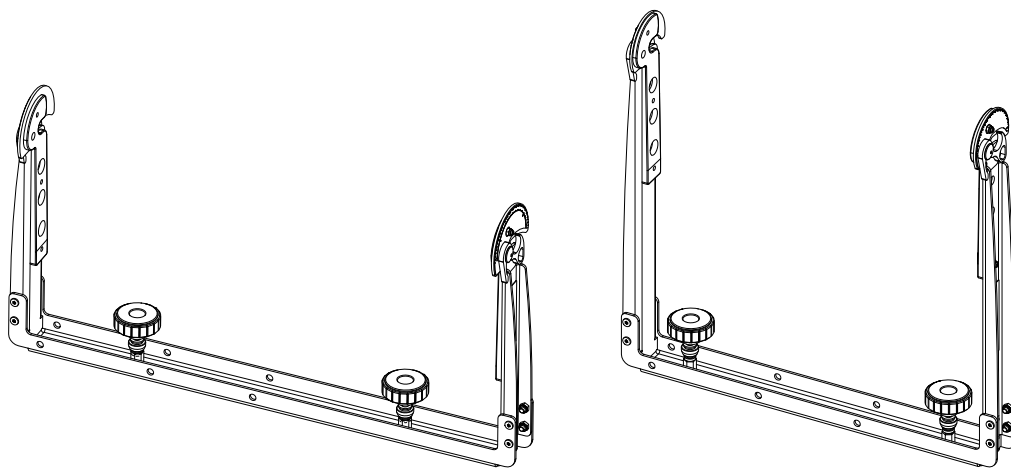
**i** When using the additional holes, consider the maximum site angle available.

See [Maximum angles](#) (p.56).

X-US1215 features additional holes on the sides to closely fit the enclosure and to minimize visual impact.



The knobs shall be stored in the U-brackets.

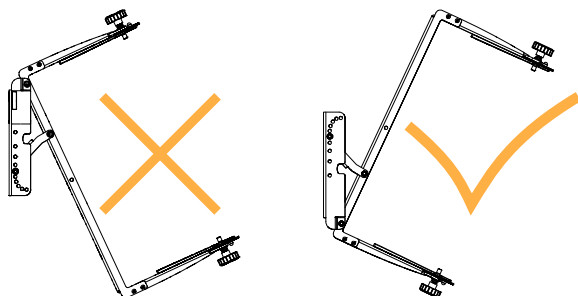


## X-UTILT

X-UTILT is a tilt adjustment accessory compatible with X-US1215 and X-UL15. X-UTILT provides negative site angle setting combined with azimuth angle setting capabilities in a wall-mount configuration. The site angle can be set from 0° to -45° in 5° steps. The azimuth angle can be adjusted with the U-bracket.

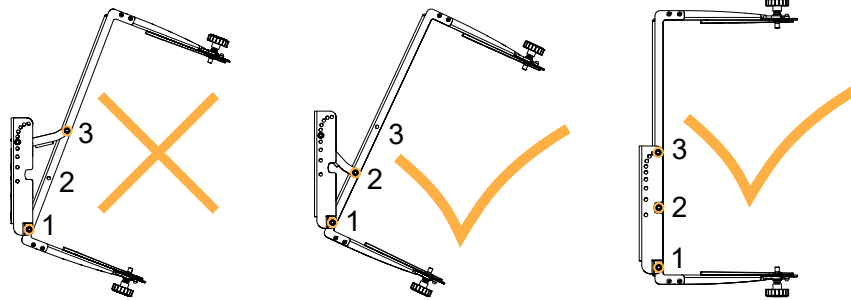
### **!** X-UTILT intended use

Use X-UTILT only vertically and for negative site angles.



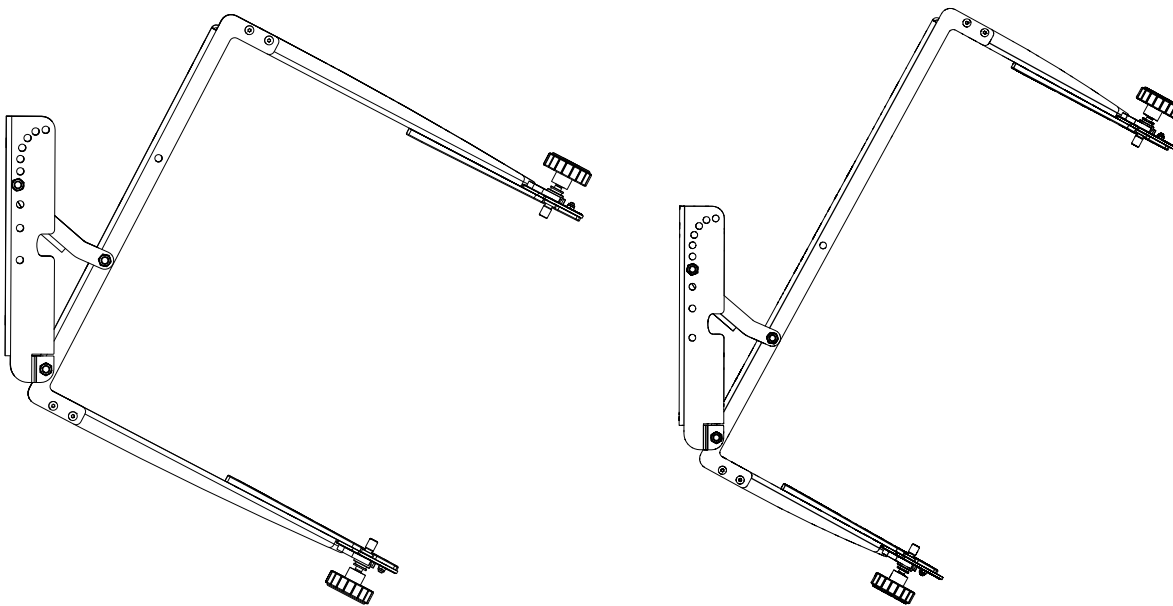
**! Assembling X-UTILT with X-US1215 or X-UL15**

X-US1215 and X-UL15 have three holes for assembling with X-UTILT. Use hole 1 (furthest from the label) to secure the U-bracket to X-UTILT, and hole 2 to secure the rigging arm. Hole 3 is reserved for storage (0° site angle).



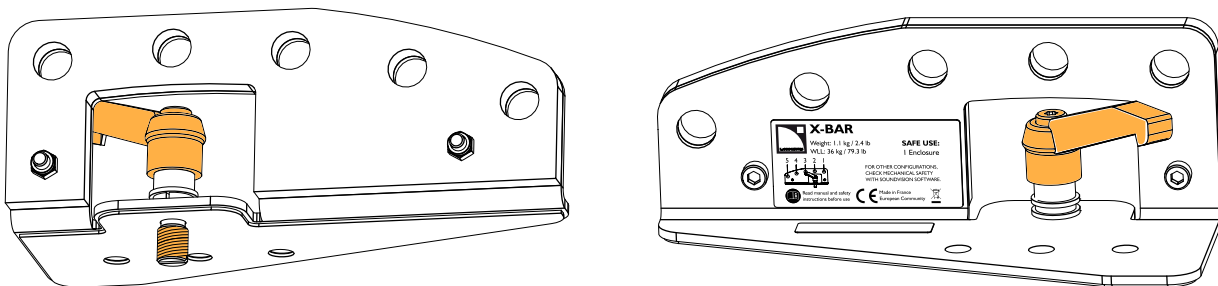
**! Fasteners for wall-mounting**

Secure X-UTILT with two M10 screws.  
Select screw length and anchors applicable to the wall properties.



**X-BAR**

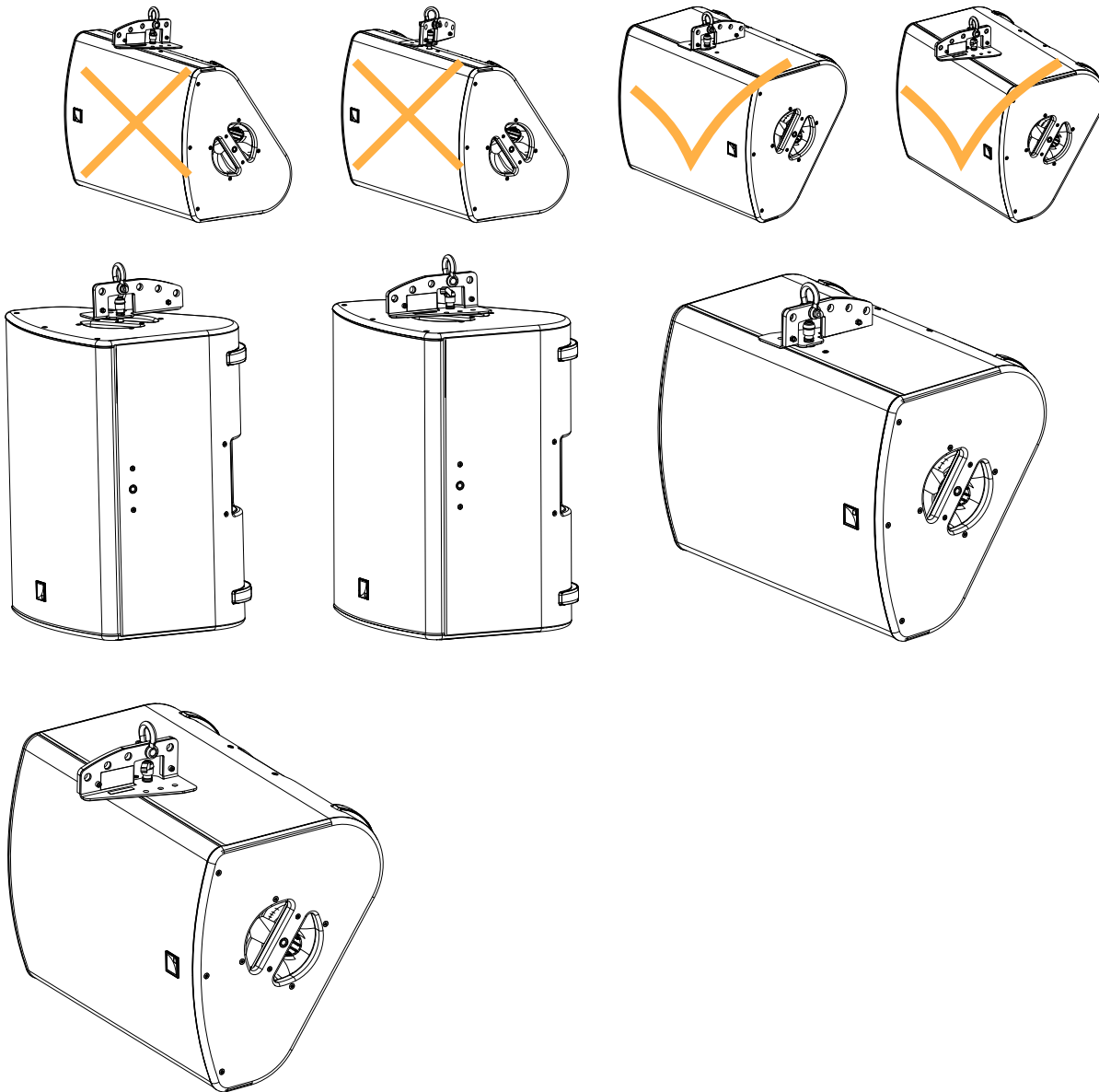
X-BAR is a rigging bar for flying X15 HiQ. The rigging system consists of a threaded axis with a cam lever.



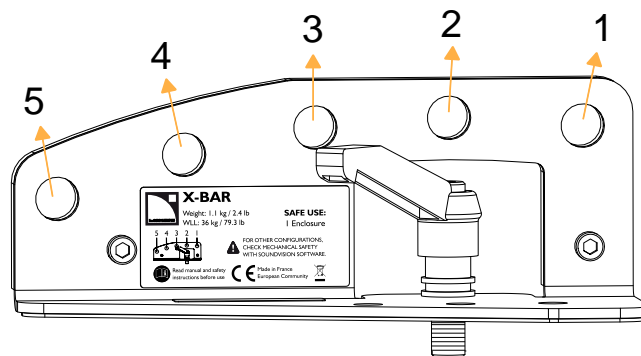
X-BAR is secured to the dedicated inserts on the enclosure, in front or rear extension position.

**⚠ Risk of damaging the insert and the cabinet**

When flying X15 HiQ horizontally with X-BAR, always use the insert on the largest side (logo on the right). On the opposite side, the contact area between X-BAR and the cabinet is too small, which can cause the insert to be damaged through lever effect.

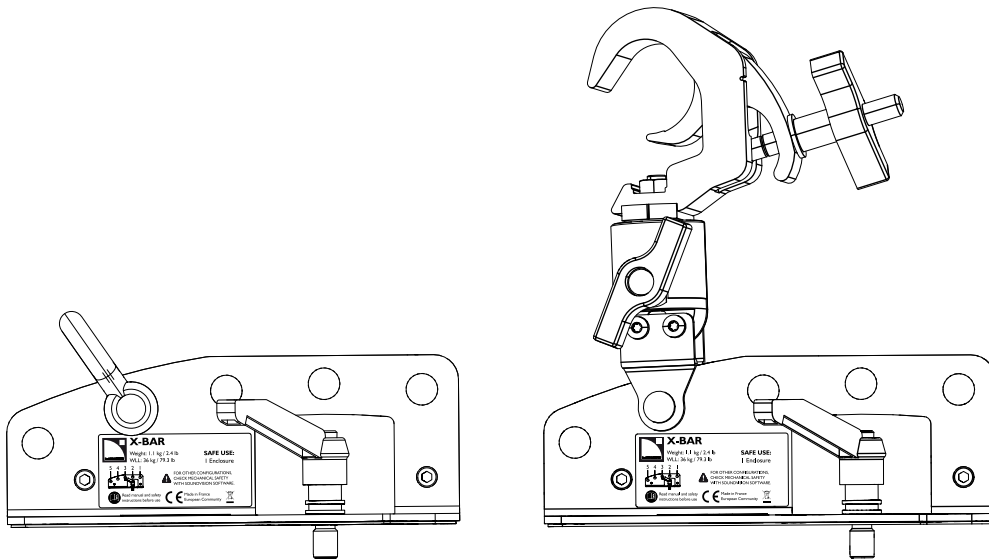


Five angulation holes are available.





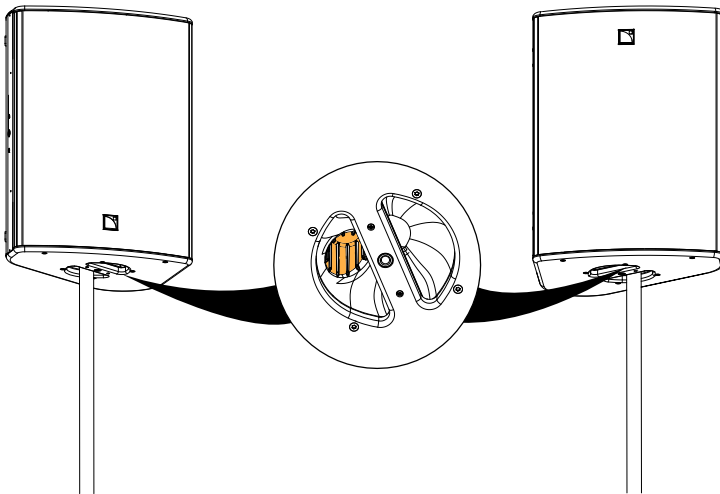
X-BAR is compatible with a  $\varnothing 12$  mm shackle WLL 1 t (provided) and with CLAMP250.



## Elements for pole-mounting

### Pole sockets

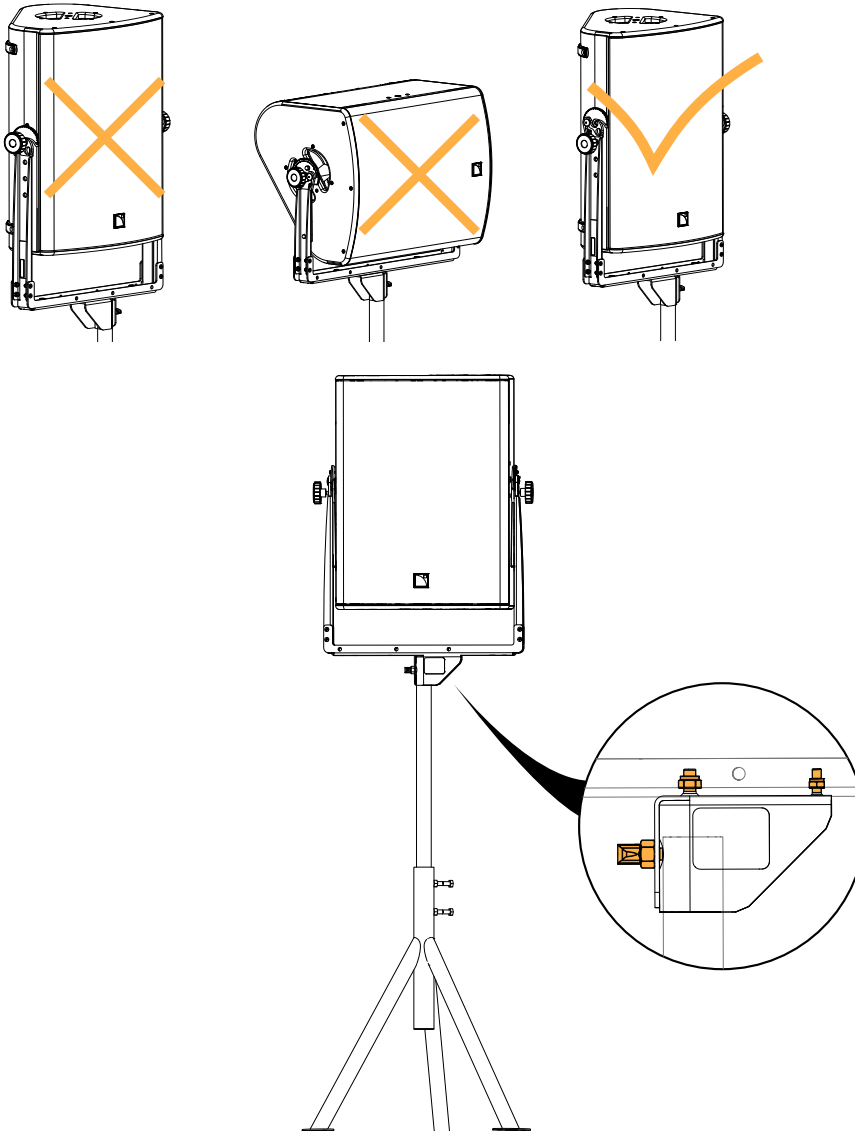
X15 HiQ features two 35 mm pole sockets integrated in the handles.



## EMBi

EMBi is a pole-mount adapter for X-US1215 (35 mm pole). The site angle can be adjusted with the U-bracket.

- ⚠ Risk of damaging the bracket safety mechanism**  
When using X-US1215 and EMBi for pole-mounting X15 HiQ, always use the additional holes on the bracket.  
Do not use X-UL15 with EMBi.



## Subwoofers

KS21 and SB18 feature a 35 mm pole socket.

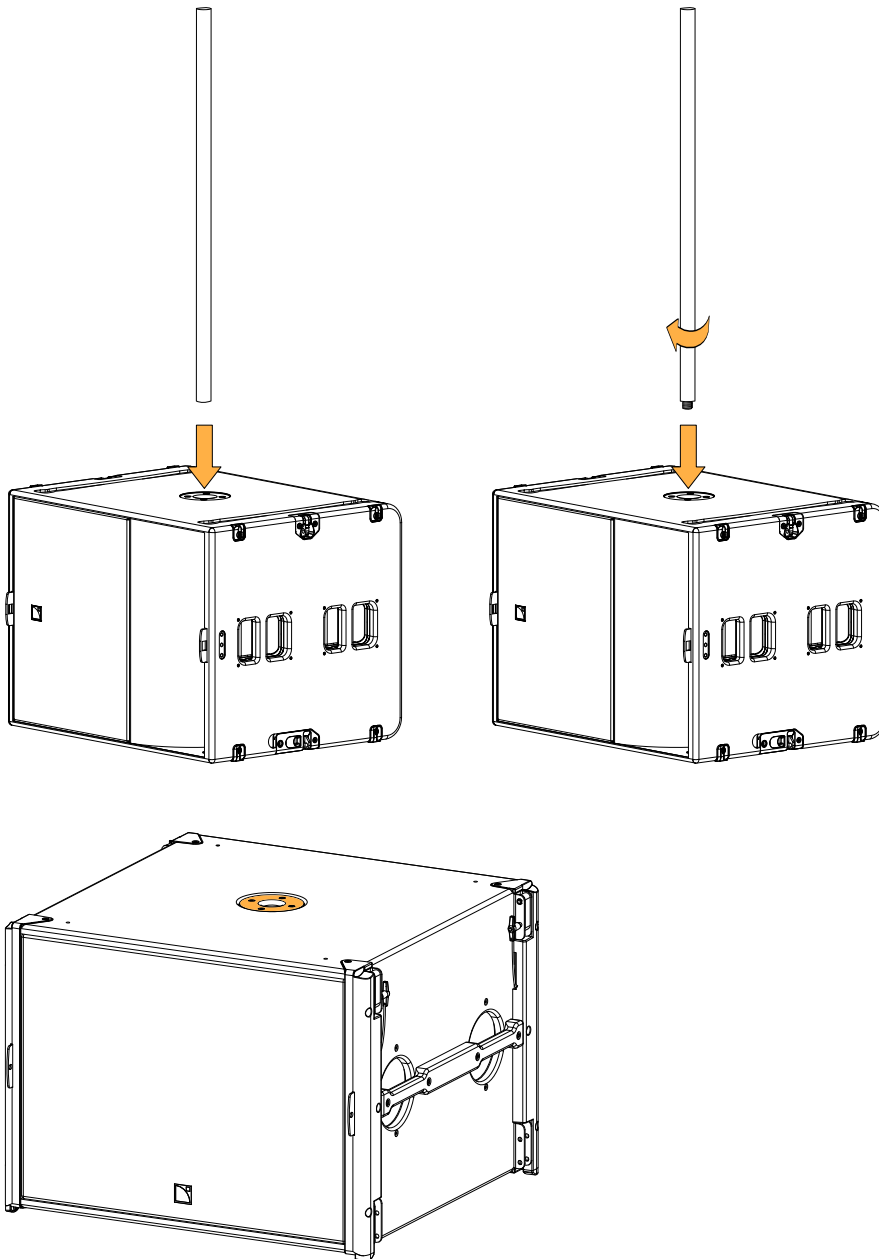
KS21 features a 35 mm pole-socket which contains an M20×150 insert.



### Use a 35 mm diameter pole

The pole can be non-threaded or with M20 thread.

Use an adapter for poles with other dimensions, for example the 21329 adapter by K&M, available on [www.k-m.de/en](http://www.k-m.de/en).



## Mechanical safety

The X15 HiQ rigging system complies with EN 62368-1: 2014 Audio/video, information and communication technology equipment — Part 1: Safety requirements.

The deployments described in this manual achieve a safety factor of **5**.

### X15 HiQ

Configuration	Rigging accessory	Maximum / Safe limit
Wall-mounted	X-US1215 / X-UL15 + X-UTILT (optional)	1
Ceiling-mounted	X-US1215 / X-UL15	1
Flown	X-BAR + CLAMP250	1
Pole-mounted	35 mm pole + EMBi and X-US1215 (optional)	1
Ground-stacked	No rigging accessory	1



#### **Additional safety for flown arrays**

When flying an enclosure, use the M8 DIN580 threaded insert to implement a secondary safety.

# Loudspeaker configurations

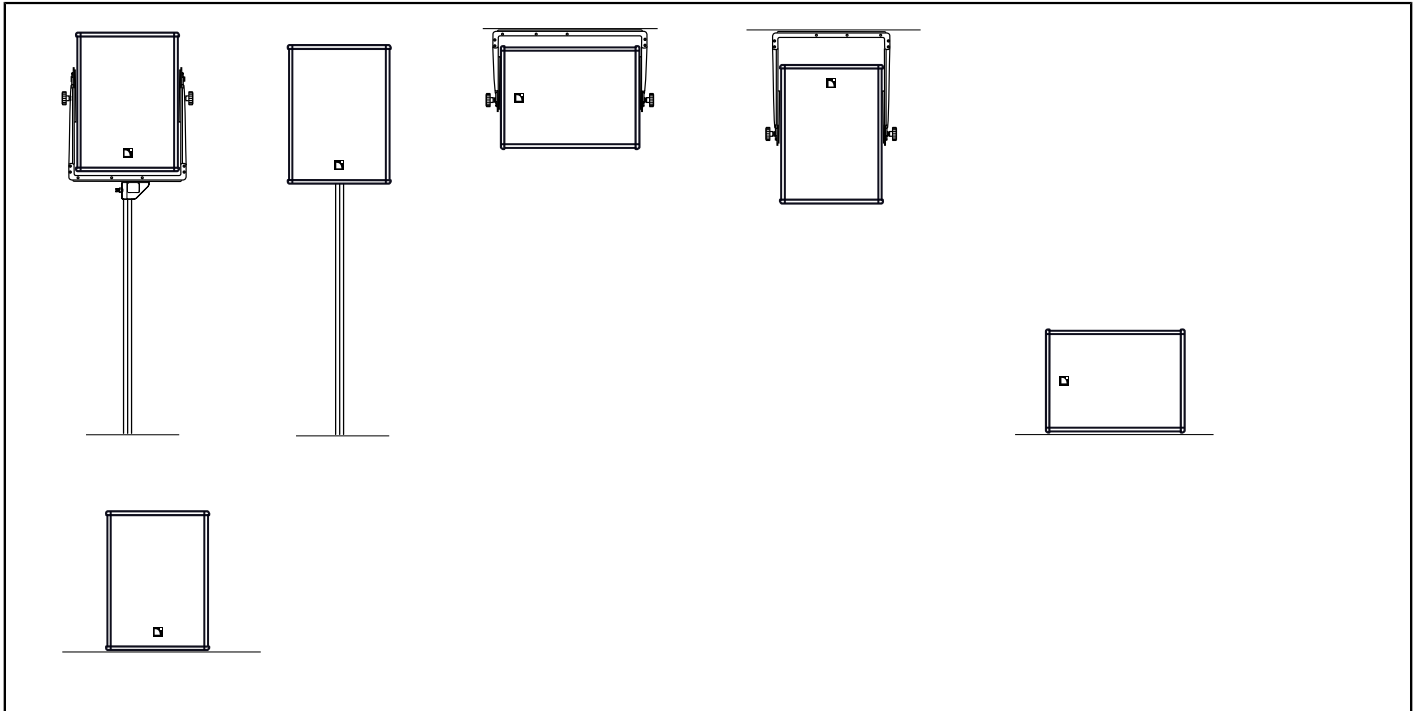
## X15 HiQ point source

Deployed as a standalone point source, a X15 HiQ system operates over the nominal bandwidth of the X15 HiQ enclosure.

The [X15] preset delivers a reference frequency response in short throw applications.

The X15 HiQ enclosure is driven by the LA4X / LA8 / LA12X amplified controllers.

### Standalone X15 HiQ



Enclosure	X15 HiQ
Preset	[X15]
Frequency range (-10 dB)	55 Hz - 20 kHz

## X15 HiQ point source with LF

Deployed as a point source with SB18 or KS21 subwoofers, an X15 HiQ system operates with augmented LF resources. The [X15] preset delivers a reference frequency response in short throw applications.

The [SB18\_100] and [KS21\_100] presets provide the SB18 and KS21 with an upper frequency limit at 100 Hz for an optimal frequency coupling with the X15 HiQ.

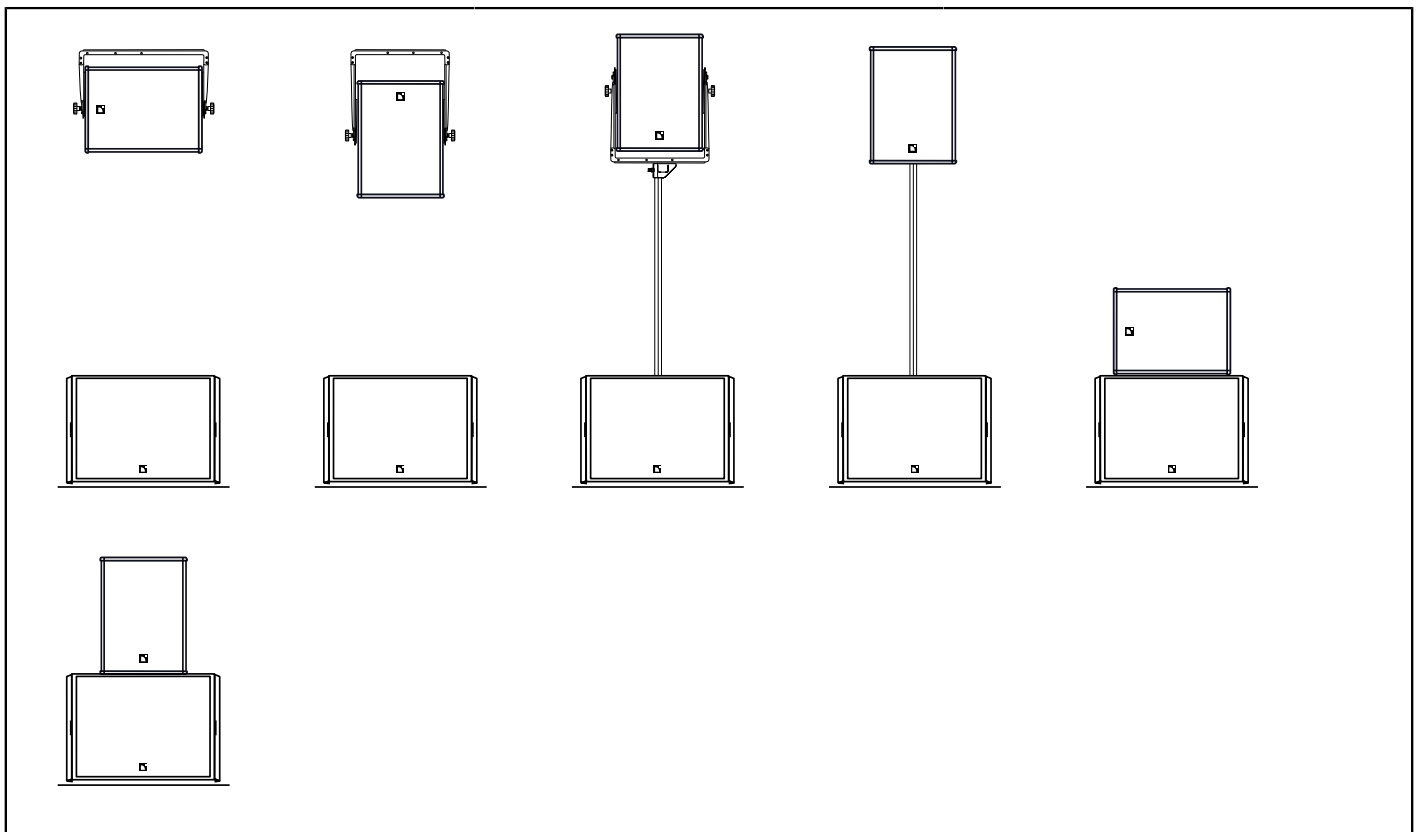
The X15 HiQ, SB18, and KS21 enclosures are driven by the LA4X / LA8 / LA12X amplified controllers.

### X15 HiQ with SB18

With SB18, the X15 HiQ system contour is reinforced by 4 dB at 60 Hz and 5 dB at 100 Hz, and the system bandwidth is extended down to 32 Hz.

**i** Values and ratios are the same for SB18 Ili.

**!** SB18 Ili is not mechanically compatible with pole-mounted configurations.



Enclosure	X15 HiQ	SB18
Preset	[X15]	[SB18_100]
Frequency range (-10 dB)	32 Hz - 20 kHz	
Enclosure ratio	1 X15 HiQ : 1 SB18	

#### **!** Grouping subwoofers

Place the subwoofer enclosures side by side. If not possible, the maximum distance between two adjacent acoustic centers must be 1.7 m if the upper frequency limit of the subwoofer system is at 100 Hz.

#### **!** Use [xxxx\_xx\_C] or [xxxx\_xx\_Cx] on a reversed subwoofer in a cardioid configuration

The cardioid configuration consists in reversing 1 element in an array of 4 subwoofers.

Refer to the subwoofer owner's manual and to the **Cardioid configurations** technical bulletin.

**! Delay values**

Do not forget to add the pre-alignment and geometric delays depending on the configuration.

**Pre-alignment delays**

presets	pre-alignment delay values and polarity settings			
[X15] + [SB18_100]	X15 HiQ = 4 ms	<b>+</b>	SB18 = 0 ms	<b>-</b>
[X15] + [SB18_100_C]	X15 HiQ = 9.7 ms	<b>+</b>	SB18 = 0 ms	<b>-</b>
[X15] + [SB18_100_Cx]	X15 HiQ = 8.25 ms	<b>+</b>	SB18 = 0 ms	<b>+</b>

**X15 HiQ with KS21**

With KS21, the X15 HiQ system contour is reinforced by 6 dB at 60 Hz and 2 dB at 100 Hz, and the system bandwidth is extended down to 31 Hz.

**i** Values and ratios are the same for KS21i.

**!** KS21i is not mechanically compatible with pole-mounted configurations.

Enclosure	X15 HiQ	SB18
Preset	[X15]	[KS21_100]
Frequency range (-10 dB)	31 Hz - 20 kHz ([KS21_100])	
Enclosure ratio	1 X15 HiQ : 1 KS21	

**Grouping subwoofers**

Place the subwoofer enclosures side by side. If not possible, the maximum distance between two adjacent acoustic centers must be 1.7 m if the upper frequency limit of the subwoofer system is at 100 Hz.

**Use [xxxx\_xx\_C] or [xxxx\_xx\_Cx] on a reversed subwoofer in a cardioid configuration**







The cardioid configuration consists in reversing 1 element in an array of 4 subwoofers.

Refer to the subwoofer owner's manual and to the **Cardioid configurations** technical bulletin.

**Delay values**

Do not forget to add the pre-alignment and geometric delays depending on the configuration.

**Pre-alignment delays**

presets	pre-alignment delay values and polarity settings	
[X15] + [KS21_100]	X15 HiQ = 0 ms 	KS21 = 1.5 ms 
[X15] + [KS21_100_C]	X15 HiQ = 3.9 ms 	KS21 = 0 ms 
[X15] + [KS21_100_Cx]	X15 HiQ = 2.6 ms 	KS21 = 0 ms 



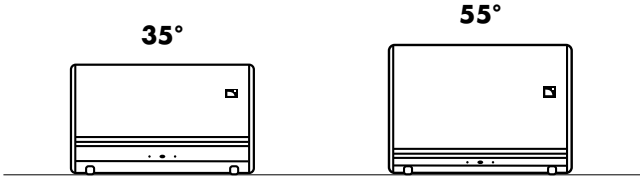
## X15 HiQ stage monitor

Deployed as a stage monitor, an X15 HiQ system operates over the nominal bandwidth of the X15 HiQ enclosure.

The [X15\_MO] preset delivers a reference frequency response in stage monitoring applications.

The X15 HiQ enclosure is driven by LA4X / LA8 / LA12X.

### Standalone X15 HiQ


Enclosure X15 HiQ
Preset [X15_MO]
Frequency range (-10 dB) 52 Hz - 20 kHz

### Low-latency preset

A low-latency preset is available for the X15 HiQ enclosure used as a monitor ([X15\_MO]). It reduces latency from 3.84 ms down to 1.18 ms (LA8) and 0.84 ms (LA4X / LA12X). If the monitor is combined with a subwoofer, a custom preset must be used.

### Paired X15 HiQ monitors with LFC

The Low Frequency Contour (LFC) tool implemented in LA Network Manager can compensate for coupling effects between closely operating monitors. LFC allows to adjust the frequency response curve to obtain the desired low frequency contour.

For paired X15 HiQ monitors, enter the following parameters to obtain the reference response curve of a single enclosure:

	LF Contour	
FREQ/RATIO	180	N/A
GAIN	-3.0	

For more information about LFC, refer to the **LA Network Manager Help** (section: Group Control Panel) and to the **Array Morphing** white paper, available on [www.l-acoustics.com](http://www.l-acoustics.com).

## X15 HiQ stage monitor with LF

Deployed as a stage monitor with SB18 or KS21 subwoofers, an X15 HiQ system operates with augmented LF resources. The [X15\_MO] preset delivers a reference frequency response in stage monitoring applications.

The [SB18\_100] preset provides the SB18 with an upper frequency limit at 100 Hz for an optimal frequency coupling with the X15 HiQ.

The [KS21\_100] preset provides the KS21 with an upper frequency limit at 100 Hz for an optimal frequency coupling with the X15 HiQ.

The X15 HiQ, SB18, and KS21 enclosures are driven by the LA4X / LA8 / LA12X amplified controllers.

### X15 HiQ with SB18

With SB18, the X15 HiQ system contour is reinforced by 5 dB at 100 Hz, and the system bandwidth is extended down to 32 Hz.



Values and ratios are the same for SB18 Ili.

	<b>35°</b>	<b>55°</b>
Enclosure	X15 HiQ	SB18
Preset	[X15_MO]	[SB18_100]
Frequency range (-10 dB)	32 Hz - 20 kHz	
Enclosure ratio	1 X15 HiQ : 1 SB18	



#### Delay values

Do not forget to add the pre-alignment and geometric delays depending on the configuration.

#### Pre-alignment delays

presets	pre-alignment delay values and polarity settings	
[X15_MO] + [SB18_100]	X15 HiQ = 0 ms <input style="float: right;" type="button" value="+"/>	SB18 = 1 ms <input style="float: right;" type="button" value="+"/>



[xx\_MO] presets for the X series use the amplified controller low latency operating mode. When used along with subwoofers, it is recommended to use the subwoofers in low latency operating mode. To achieve this, create custom presets combining low latency channel sets and subwoofer channel sets.

If the subwoofers are driven from a dedicated amplified controller using a subwoofer factory preset, they are operated in normal latency mode. Therefore, an additional delay should be set to the [xx\_MO] low latency channels to align them: 2.66 ms on LA8 or 3.00 ms on LA4X and LA12X.

## X15 HiQ with KS21

With KS21, the X15 HiQ system contour is reinforced by 6 dB at 60 Hz and 2 dB at 100 Hz, and the system bandwidth is extended down to 31 Hz.



Values and ratios are the same for KS21i.

Enclosure	X15 HiQ	KS21
Preset	[X15_MO]	[KS21_60] [KS21_100]
Frequency range (-10 dB)	29 Hz - 20 kHz ([KS21_60]) 31 Hz - 20 kHz ([KS21_100])	
Enclosure ratio	1 X15 HiQ : 1 KS21	



### Delay values

Do not forget to add the pre-alignment and geometric delays depending on the configuration.

### Pre-alignment delays

presets	pre-alignment delay values and polarity settings	
[X15_MO] + [KS21_100]	X15 HiQ = 0 ms	KS21 = 1.5 ms



[xx\_MO] presets for the X series use the amplified controller low latency operating mode. When used along with subwoofers, it is recommended to use the subwoofers in low latency operating mode. To achieve this, create custom presets combining low latency channel sets and subwoofer channel sets.

If the subwoofers are driven from a dedicated amplified controller using a subwoofer factory preset, they are operated in normal latency mode. Therefore, an additional delay should be set to the [xx\_MO] low latency channels to align them: 2.66 ms on LA8 or 3.00 ms on LA4X and LA12X.

# Inspection and preventive maintenance

## How to do preventive maintenance

---

Inspect the system before any deployment and after any corrective maintenance operation.

Perform preventive maintenance at least once a year.

### Rigging and hardware

Perform the [Rigging part inspection](#) (p.32) on each rigging part.

Use the [Mechanical system overview](#) (p.33) to identify critical parts of the system and apply the specific checks described in the [Inspection references](#) (p.37).

If any parts are damaged, contact your L-Acoustics representative for further instructions.

### Acoustics

Perform the [Enclosure check](#) (p.39).

Perform the [Listening test](#) (p.41) to detect any degradation in sound quality.

If necessary, refer to the [Corrective maintenance](#) (p.68) section for speaker repair kits and maintenance instructions.

## Rigging part inspection

---

### About this task

For critical rigging parts, use the [Inspection references](#) (p.37) for comparison and specific manipulations.

The term "rigging part" comprises:

- lifting accessories such as clamps and shackles
- rigging accessories such as rigging frames, rigging interfaces, and brackets
- fasteners used for assembling two products together such as ball-locking pins, rigging axes, rigging screws, threaded knobs, and safety pins

This inspection procedure covers only L-Acoustics products. To inspect other products that are part of the lifting chain, refer to the manufacturer's instructions.

### Prerequisite

Perform the inspection in a well-lit environment.

### Procedure

1. Check that the rigging part is present.
2. If applicable, disassemble the rigging part from the enclosure or the rigging accessory.

Check that the tethers are intact and safely secured.

3. Inspect the part from every side.

Compare with the **reference pictures**.

Check for:

- corrosion
- wear and cracks
- bends and dents
- holes
- missing safety cues
- missing identification labels
- missing or loose fasteners

**Replacing screws**

If a screw is loose, remove and replace it.

Always use the new screws provided in the repair kit.

If no new screw is available, add blue threadlocker before reusing the screw.

Do not apply more than the indicated torque.

**4. Check the **geometry** of the part to identify critical deformations.**

Place the rigging part on a flat surface or hold a level against it.

**5. Check the **moving parts**.**

Make sure that the mechanism engages correctly.

**What to do next**



If a problem is detected, perform the authorized maintenance operations or contact your L-Acoustics representative.

**Mechanical system overview**

---

Critical parts of the lifting chains are highlighted.



The  indicates a visual inspection. The  indicates a functional check.



Perform the [Rigging part inspection](#) (p.32) on critical parts.

For each part, refer to the [Inspection references](#) (p.37).

**Replacing screws**

If a screw is loose, remove and replace it.

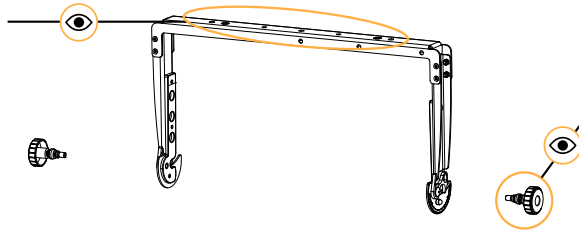
Always use the new screws provided in the repair kit.

If no new screw is available, add blue threadlocker before reusing the screw.

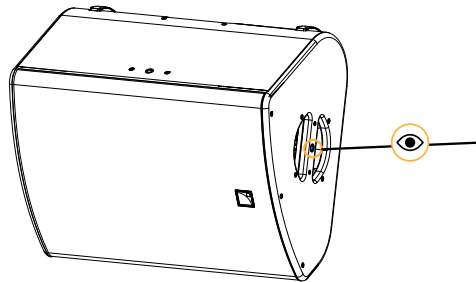
Do not apply more than the indicated torque.

## X15 HiQ with X-UL15

the supporting screws are tightened



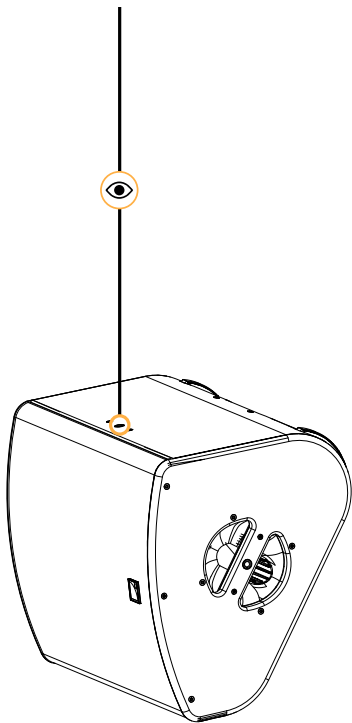
Threaded knobs (p.37)



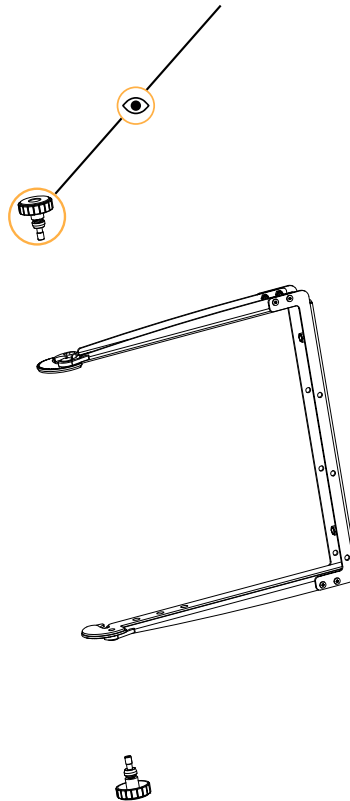
the inserts are not damaged

## X15 HiQ with X-US1215 and X-UTILT

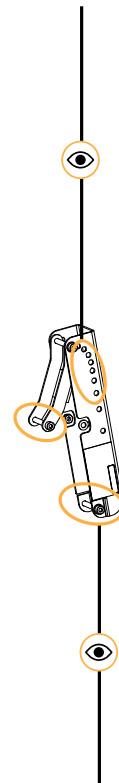
the inserts are not damaged



Threaded knobs (p.37)

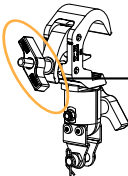


the supporting screws are tightened



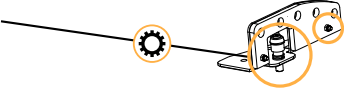
the axes are tightened and not bent

### X15 HiQ with X-BAR and CLAMP250



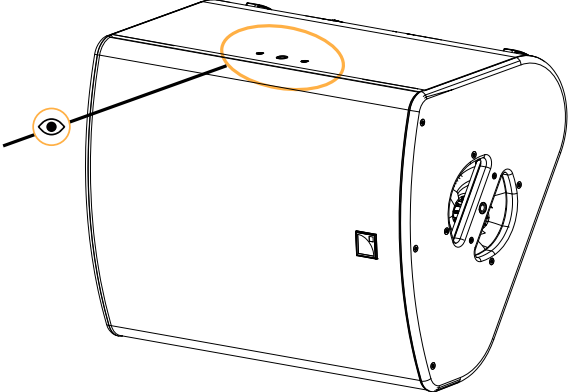
the wing knobs can be tightened and loosened by hand

pull up the lever and release it:  
the lever returns to its initial position

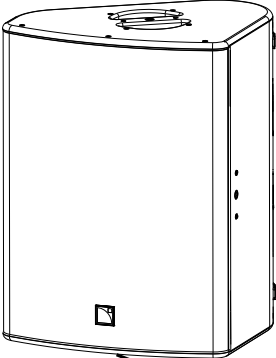


all screws are tightened

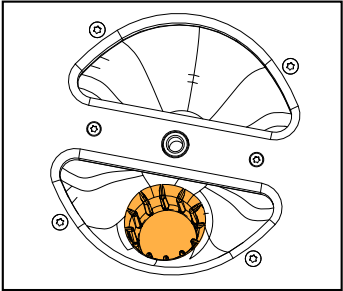
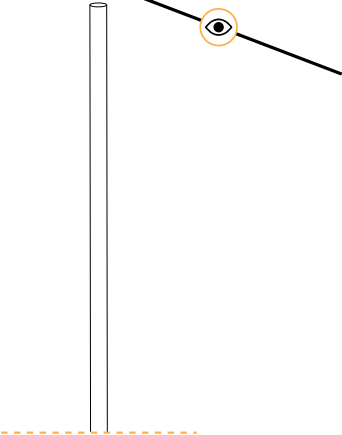
the top inserts are not damaged



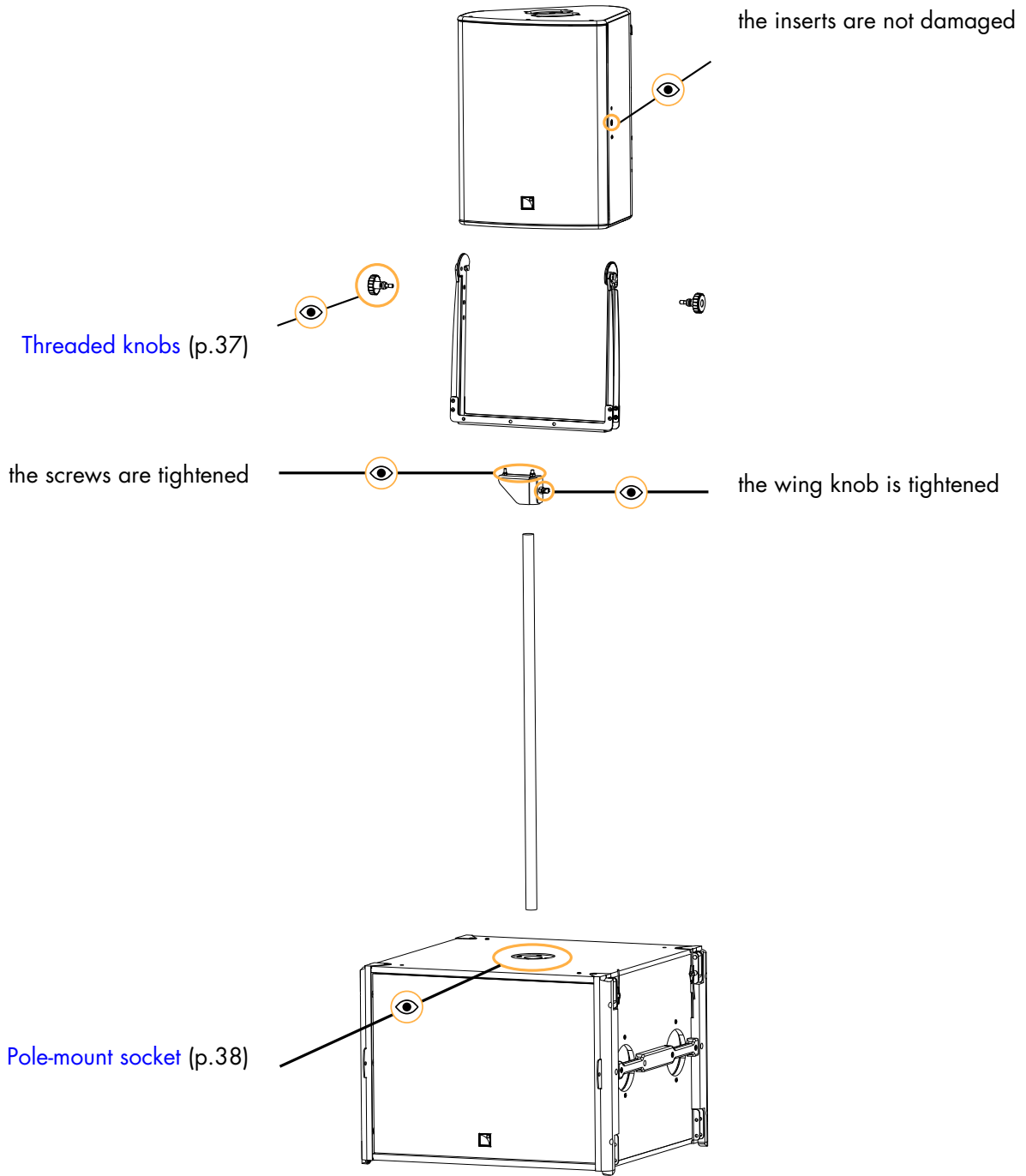
### X15 HiQ pole-mounted



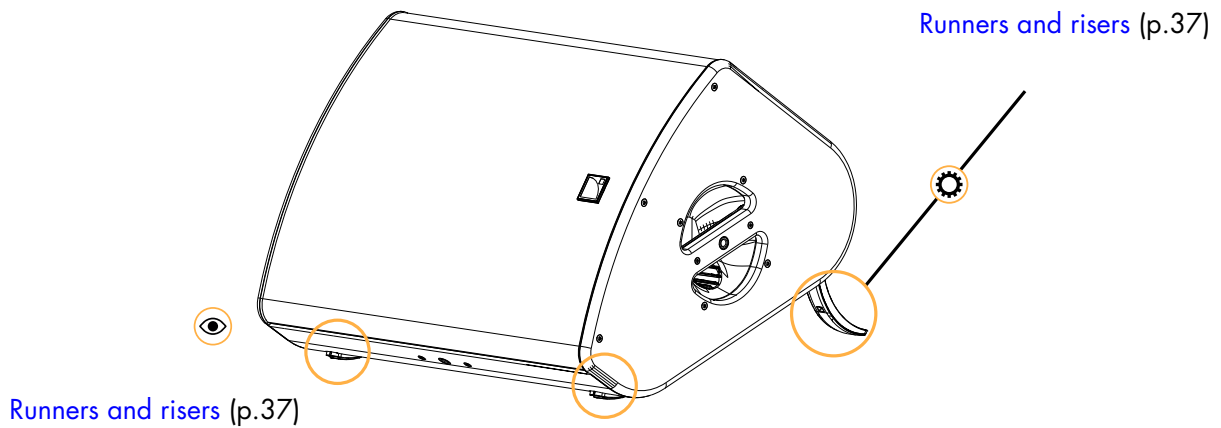
the pole-socket is not damaged



## X15 HiQ pole-mounted with X-US1215 and EMBi on SB18



## X15 HiQ on the ground





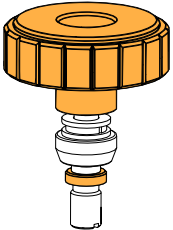
## Inspection references

---

### Threaded knobs

- Head part does not have cracks.
- Head part is tightly secured to the body part.
- All washers are present.

### Reference pictures



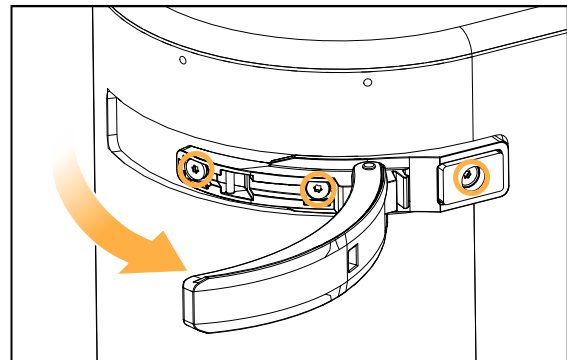
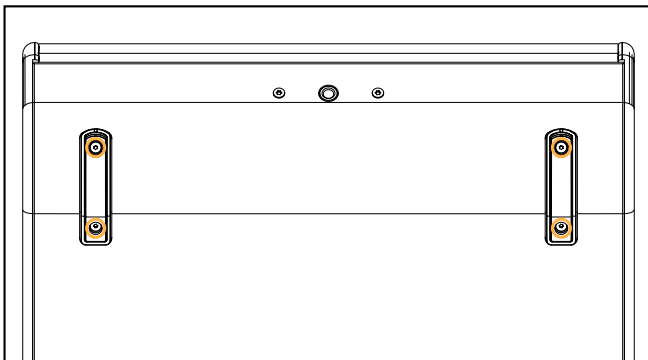
### Related tasks

[Rigging part inspection](#) (p.32)

### Runners and risers

- Runners are not worn out.
- Risers are not damaged and move correctly.
- Screws are tightened.

### Reference pictures



**Contact your L-Acoustics representative for repair instructions.**

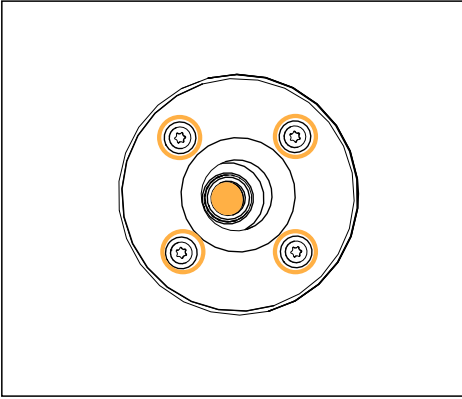
### Related tasks

[Rigging part inspection](#) (p.32)

## Pole-mount socket

- Pole-mount socket is not damaged or bent.
- Screws are tightened.
- Socket plug is present.

### Reference pictures



**!** Contact your L-Acoustics representative for repair instructions.

### Related tasks

[Rigging part inspection](#) (p.32)

## Acoustical check

---

### Enclosure check



**This feature is available on:**

LA4X  
LA12X

ENCLOSURE CHECK measures impedance at the reference frequencies for the connected loudspeaker family. The measured impedance is compared to the expected range allowing for fast detection of loudspeakers presenting circuit continuity issues.



The results can be used for preliminary diagnosis but cannot replace a comprehensive quality control.

### Prerequisite



**ENCLOSURE CHECK measurements can only be reliable if the following requirements are met:**

Environment and temperature:

- Ambient temperature must be comprised between 0 °C / 32 °F and 40 °C / 104 °F. Ideal temperature is 20 °C / 68 °F.
- Enclosures must be at room temperature. If warm from a recent high level use or recently moved from a cold environment, let the loudspeakers reach room temperature before starting.

Enclosures:

- Enclosures must be included in the embedded factory preset library.
- Enclosures must be in nominal operating conditions:
  - Remove covers or dollies obstructing the loudspeakers or the vents.
  - Check for obvious physical damage or air leak: visually inspect the grill, gasket, cabinet, and connector plate for loose, missing or damaged parts.

Connection:

- Use only 10 m / 30 ft 4 mm<sup>2</sup> / AWG 11 speaker cables.
- Do not connect enclosures in parallel.

Amplified controllers:

- LA4X must run at least firmware version 1.1.0.
- LA4X load sensors must be calibrated. Refer to the **Load Sensor Calibration Tool** technical bulletin for more information.
- LA4X must warm up for at least 10 minutes after power up. Do not power off, reboot or switch to standby mode to avoid resetting the countdown.
- Load a preset corresponding to the connected loudspeaker's family. Presets from the user memories may be used on condition they are made of presets supported in the embedded factory preset library.

### Procedure

1. Power up the amplified controller. Let LA4X warm up for at least 10 minutes.
2. Connect the loudspeaker enclosures to the amplified controller.
3. Load a preset from or built from the embedded library corresponding to the connected loudspeaker family.
4. On the amplified controller, use the encoder wheel to select **MONITORING & INFO**. Press the OK key or the encoder wheel to validate.
5. Use the encoder wheel to select **ENCLOSURE CHECK**.



#### **Beware of sound levels.**

Although the sound pressure levels generated for the ENCLOSURE CHECK are moderate, do not stay within close proximity of the loudspeakers and consider wearing ear protection.

6. Press the OK key or the encoder wheel to launch the ENCLOSURE CHECK.

The amplified controller generates short sinusoidal signals simultaneously for each connected output.

The amplified controller displays the results for each output.


**7.** Depending on the displayed results, follow the instructions in the table.

result	interpretation	instructions
OK	measured impedance is within expected range	enclosure is in working order electrically
?	unsupported preset family	only supported enclosures should be tested
NC	Not Connected	if cables are connected: <b>a.</b> inspect the cables and connections <b>b.</b> go to step 8 (p.40)
NOK	measured impedance is not within expected range	<b>a.</b> check that all the prerequisites are met, in particular that the loaded preset corresponds to the connected speaker's family <b>b.</b> inspect the cables and connections <b>c.</b> go to step 8 (p.40)
UNDEF	measured impedance is undefined	

**8.** Under NC, NOK and UNDEF results, press and hold the corresponding OUT key.

The amplified controller displays:

- the tested frequencies,
- information on the measured impedance:
  - OPEN for open circuit (found in NC results),
  - SHORT for short circuit (found in NOK results), or
  - a percentage of variation from the expected range (found in NOK and UNDEF results)
- the number of operational transducers out of the total

 Low variations from the expected range are acceptable: displayed percentage can be different from 0 and all transducers considered operational.

## Listening test

enclosure	preset	usable bandwidth
X15 HiQ	[X15]	55 Hz - 20 kHz

### Procedure

1. Load the preset on an LA4X / LA8 / LA12X amplified controller.
2. Connect a sinus generator to the amplified controller.



#### **Risk of hearing damage**

Set a low sound level to start and use ear protection to adjust before testing.

3. Scan the bandwidth focusing on the usable range.  
The sound should remain pure and free of unwanted noise.

### Troubleshooting for LF speakers

One or more LF speaker produces distorted, buzzing, rubbing, clicking, muffled or weak sound.

#### Possible causes

- The screws are not tightened with the appropriate torque.
- There is an air leak in the gasket.
- There is dust on the cone.
- The cone is damaged.
- The surround is torn or delaminated.
- The voice coil or the spider is damaged.

### Procedure

1. Perform the speaker disassembly procedure.
2. Visually inspect the cables and the connectors.
3. Visually inspect the speaker cone, the voice coil and the spider.

If any damage is visible, replace the speaker.

4. Carefully clean the speaker with a dry cloth.
5. Perform the reassembly procedure.  
Replace the speaker gasket and the screws.  
Apply the recommended torque.

6. Repeat the listening test.

If the problem persists, replace the speaker.

## Troubleshooting for HF drivers

One or more HF driver produces high-frequency harmonic distortions, strange vibrations or weak sound.

### Possible causes

- There are foreign particles on the air gap.
- The diaphragm is not centered correctly.
- The screws used for reassembly are too loose.
- The diaphragm is damaged.
- The number of shims is wrong.

### Procedure

1. Perform the diaphragm disassembly procedure.
2. Visually inspect the diaphragm and the voice coil.  
If any damage is visible, replace the diaphragm.
3. Clean the air gap thoroughly.  
Use double-face adhesive tape to remove any particles.
4. Perform the diaphragm reassembly procedure.  
Pay close attention to the number of shims and the position of the diaphragm.  
Apply the recommended torque.
5. Repeat the listening test.



If a buzzing sound is still audible, it might be necessary to add an extra shim on the air gap.

If the problem persists, replace the driver.

# Rigging procedures

## Wall-mounting and ceiling-mounting

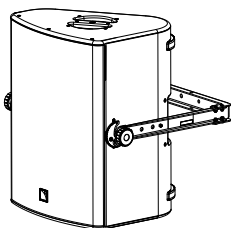
### Mounting on X-US1215 or X-UL15

type of deployment	wall-mounting
	ceiling-mounting
rigging accessories	X-US1215 or X-UL15
additional material	3 × M10 screws and anchors
	electric screwdriver
min number of operators	1 or 2

**! Additional safety for flown arrays**  
When flying an enclosure, use the M8 DIN580 threaded insert to implement a secondary safety.

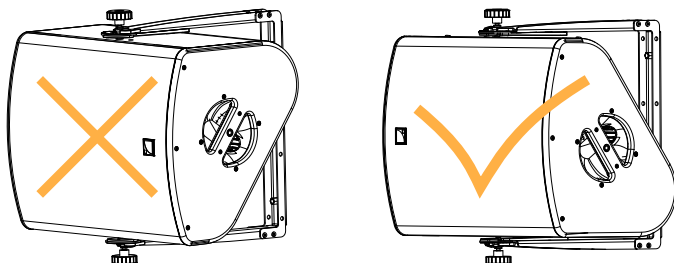
**! Ceiling-mounting**  
Additional holes on the short U-bracket can be used for optimal visual impact.  
In this case, the rigging procedure will require 2 operators.

**! Short U-bracket in horizontal position**  
In this position, the enclosure applies a diagonal force of **419 daN** on the anchoring points.



**! Fasteners for wall-mounting or ceiling-mounting**  
Secure the bracket with three M10 screws.  
Select screw length and anchors applicable to the wall or ceiling properties.

**! When wall-mounting X15 HiQ horizontally with X-US1215, it is recommended to mount the enclosure with the logo on the left. In this position, the cabinet is resting on the bracket's gasket, which prevents the enclosure from rotating.**

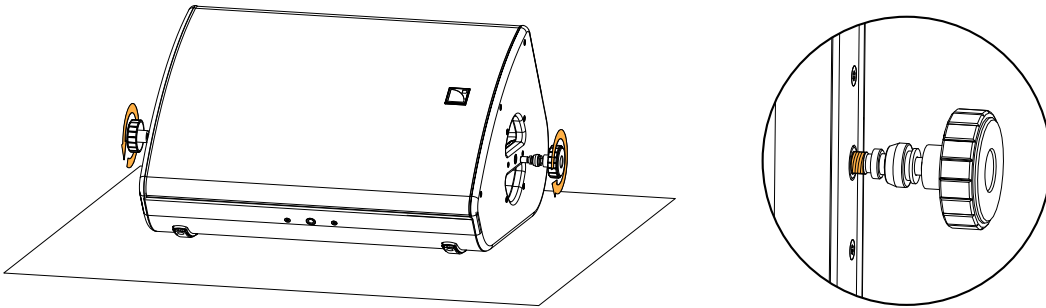


**i The procedure is shown with X-UL15 in horizontal position.**  
The same procedure applies for X-UL15 in vertical position or in ceiling-mounting configuration and X-US1215 in horizontal or vertical position or in ceiling-mounting configuration.

## Assembly

### Procedure

1. Drive the knobs in the inserts on the enclosure.  
Stop when the threading is halfway in.



When securing the U-bracket horizontally, make sure the hooks are oriented upwards.

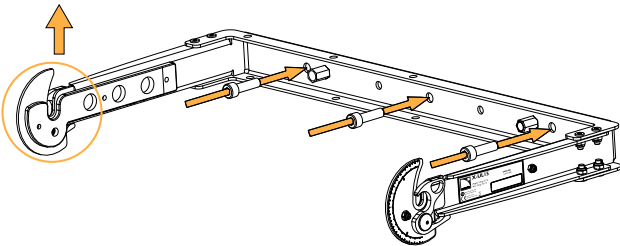


#### **Fasteners for wall-mounting or ceiling-mounting**

Secure the bracket with three M10 screws.

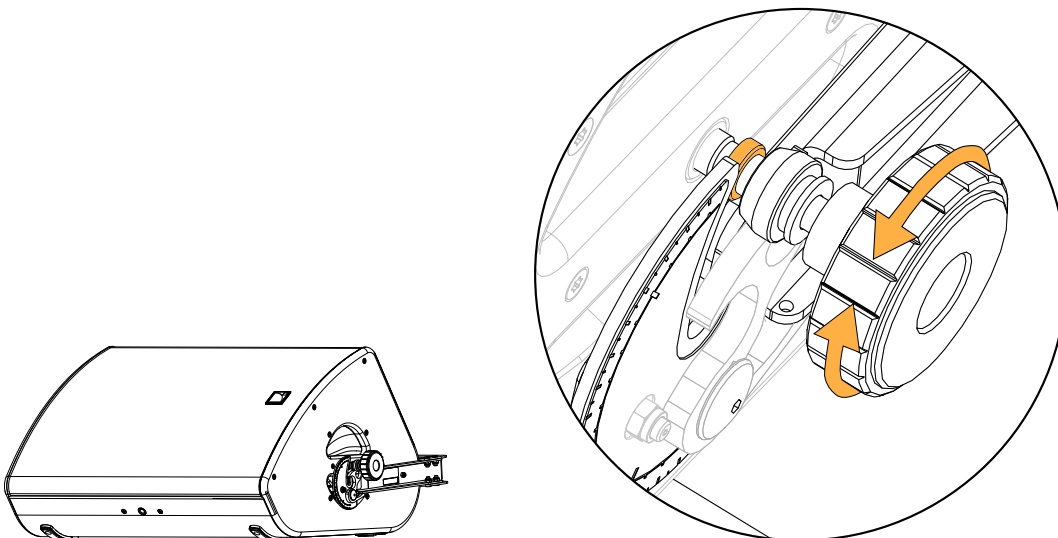
Select screw length and anchors applicable to the wall or ceiling properties.

2. Secure the U-bracket to the wall using M10 screws.



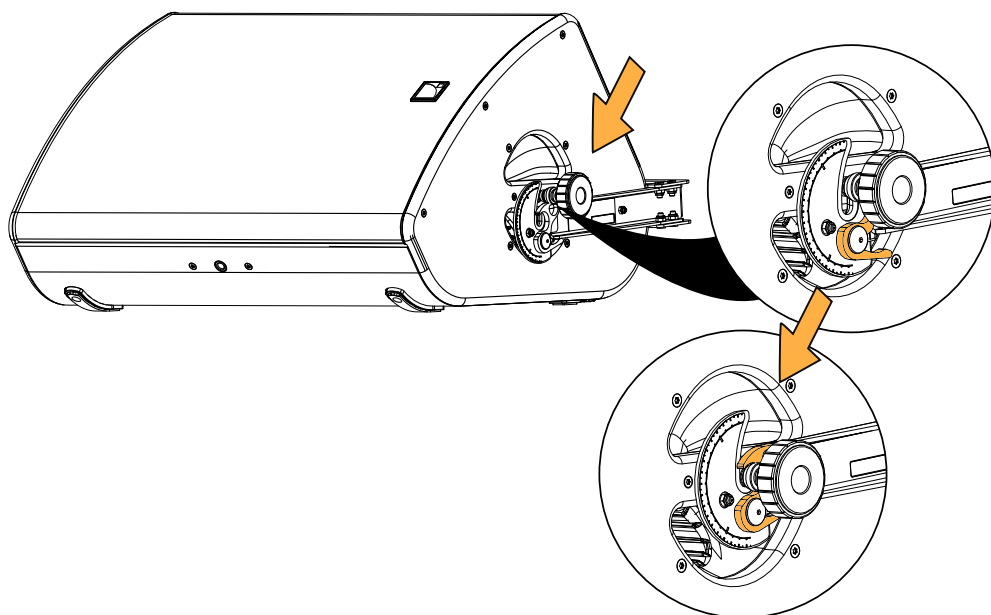
3. Lift the enclosure by the knobs and place it inside the U-bracket.

Adjust the knobs on both sides so that the safety washer is between the hook and the enclosure.



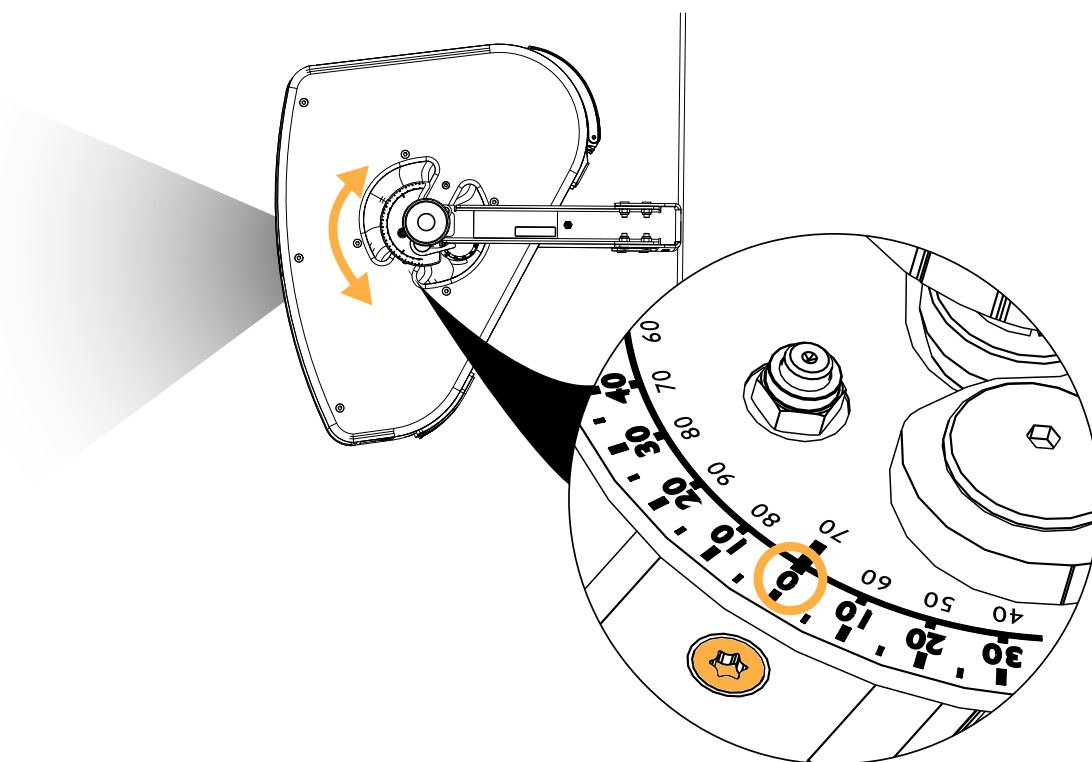


4. Push until the knobs are locked inside the spring-lock safety mechanism.



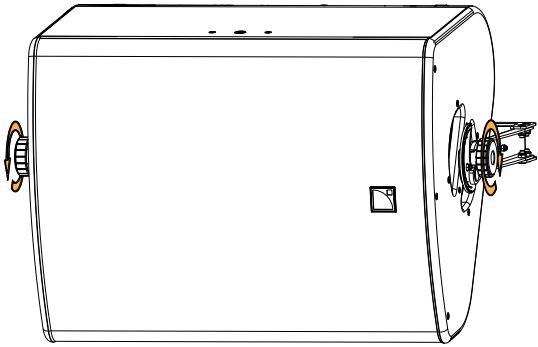
**SHLAK!**

5. Set the site angle.  
Use the screw as a reference point to read the label.



**6. Tighten the knobs.**

Make sure the enclosure is steady.



**Disassembly**

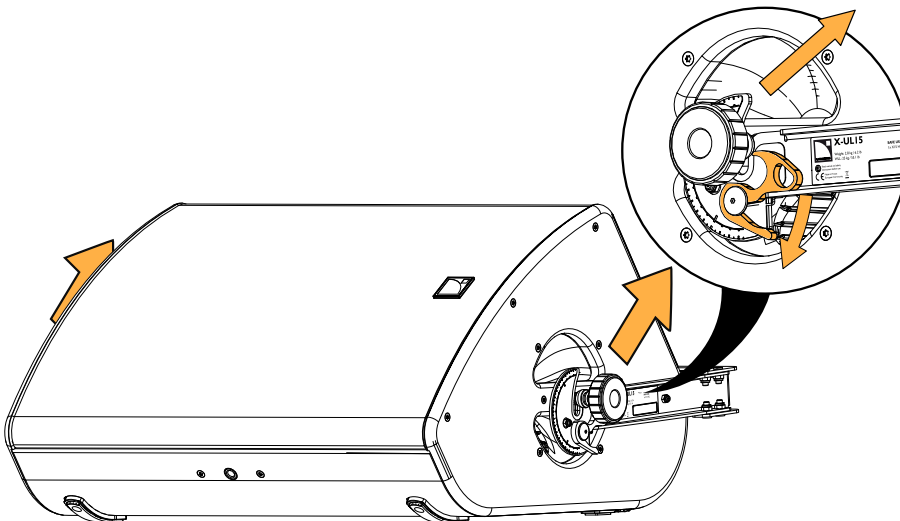
**Procedure**

1. Loosen the knobs until the enclosure can rotate freely.



Do not unscrew the knobs all the way.

2. On both sides, pull on the safety mechanism while lifting the enclosure by the knobs to release it.



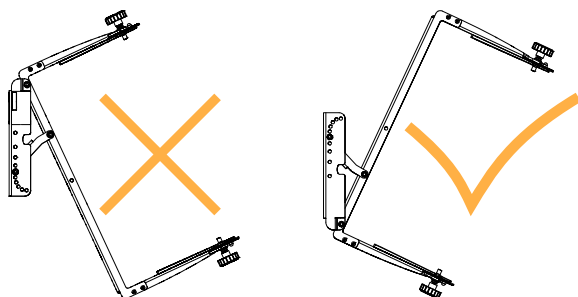
3. Remove the U-bracket from the wall.

## Using X-US1215 or X-UL15 with X-UTILT

type of deployment	wall-mounting
rigging accessories	X-US1215 or X-UL15
	X-UTILT
additional material	2 x M10 screws
	electric screwdriver
min number of operators	1

**!** **Additional safety for flown arrays**  
When flying an enclosure, use the M8 DIN580 threaded insert to implement a secondary safety.

**!** **X-UTILT intended use**  
Use X-UTILT only vertically and for negative site angles.



**!** **Fasteners for wall-mounting**  
Secure X-UTILT with two M10 screws.  
Select screw length and anchors applicable to the wall properties.

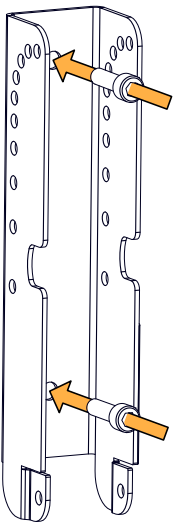
**i** **The procedure is shown with X-UL15**  
The same procedure applies for X-US1215.

## Assembly

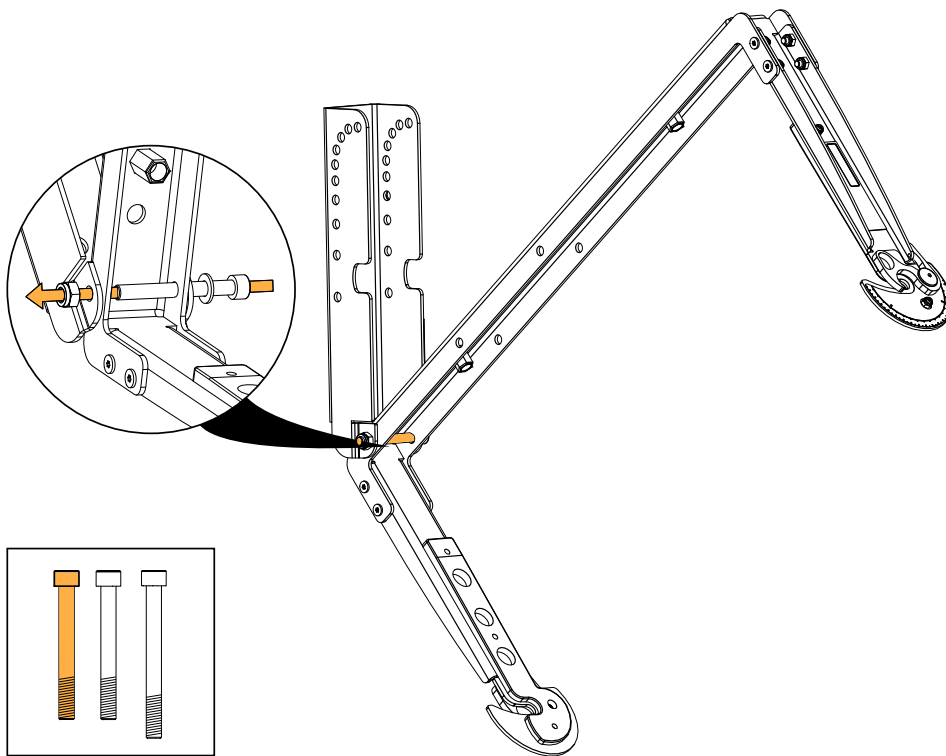
### Procedure

1. Secure X-UTILT to the wall using M10 screws.

Position X-UTILT with the holes for angle selection at the top.



2. Secure the U-bracket to X-UTILT.

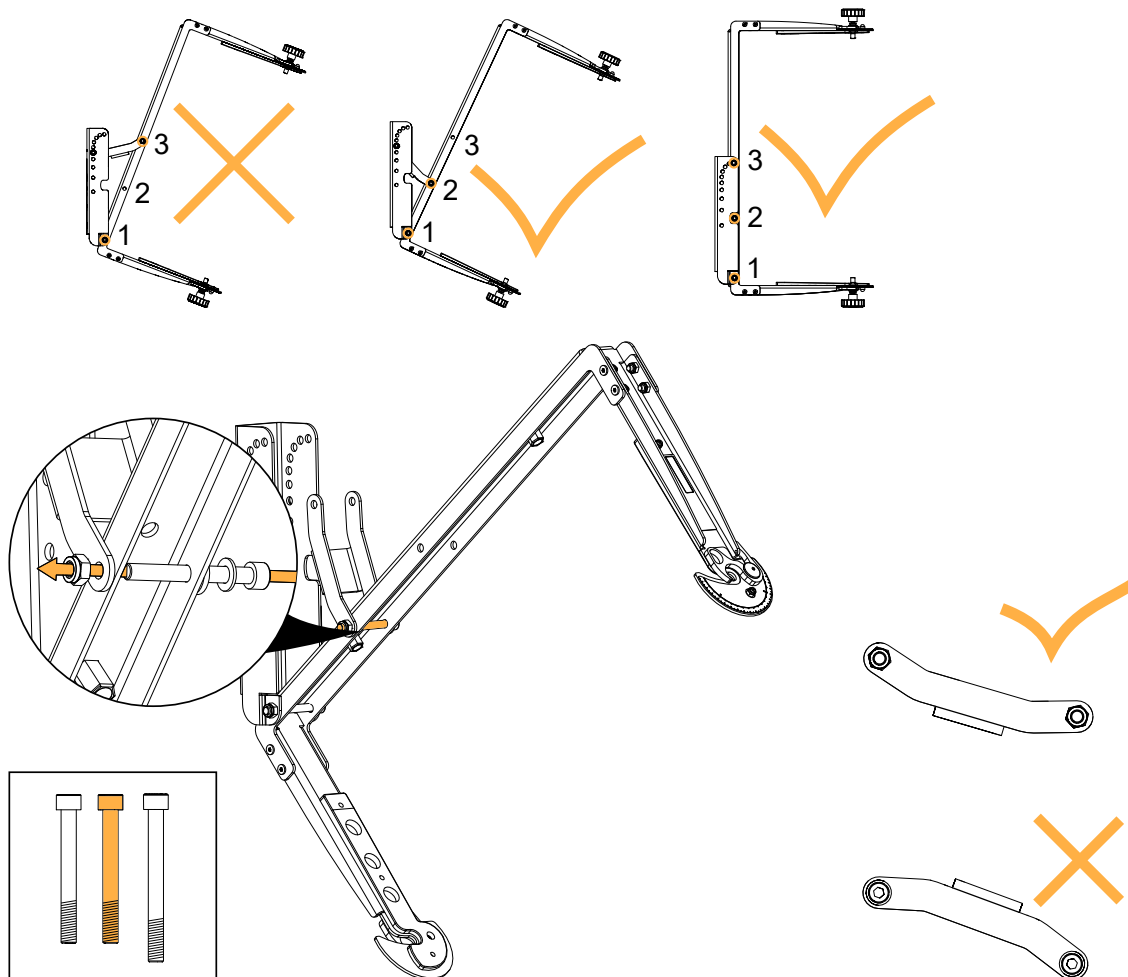


**3. Secure the rigging arm to the U-bracket.**

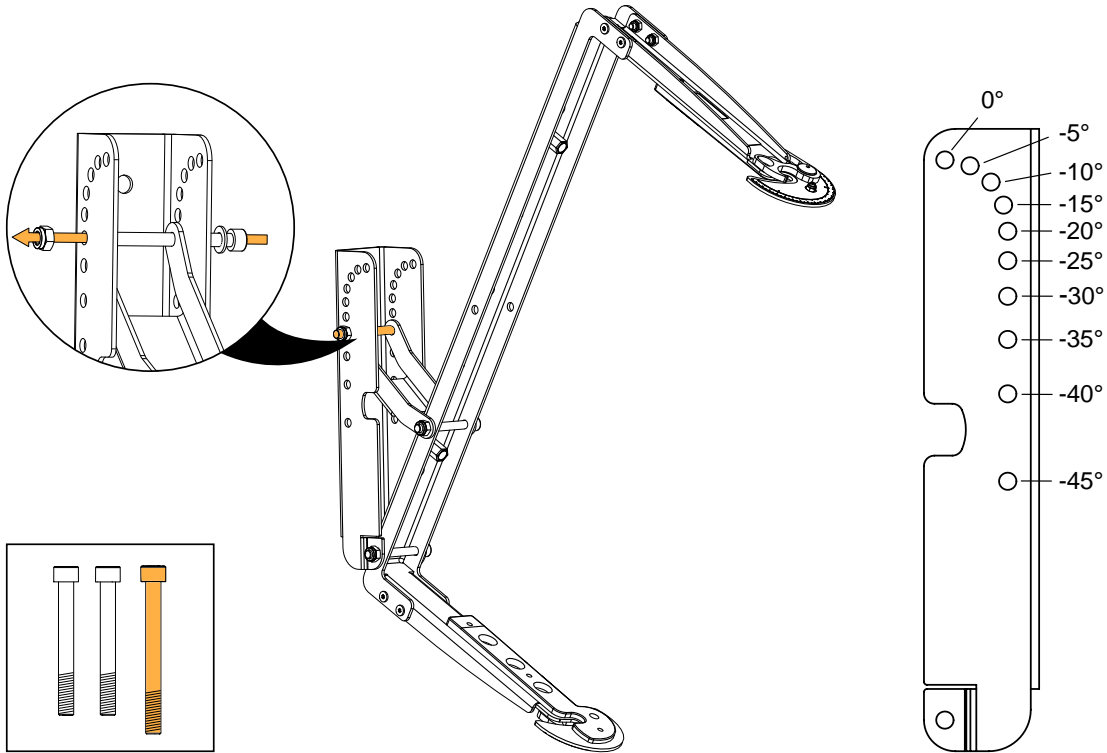
**!** Make sure the rigging arm is in the correct position.

**!** **Assembling X-UTILT with X-US1215 or X-UL15**

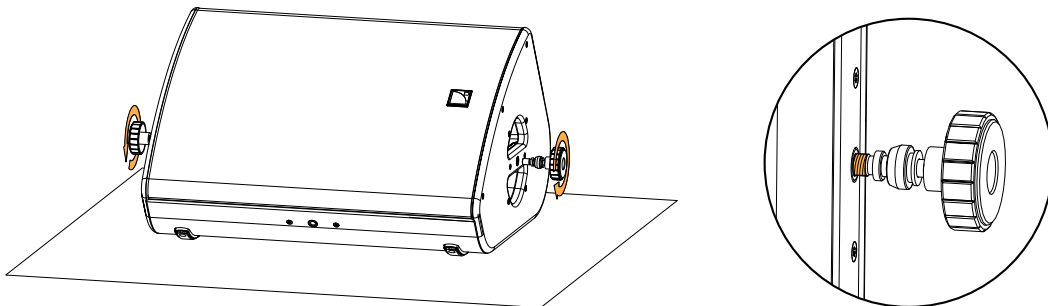
X-US1215 and X-UL15 have three holes for assembling with X-UTILT. Use hole 1 (furthest from the label) to secure the U-bracket to X-UTILT, and hole 2 to secure the rigging arm. Hole 3 is reserved for storage (0° site angle).



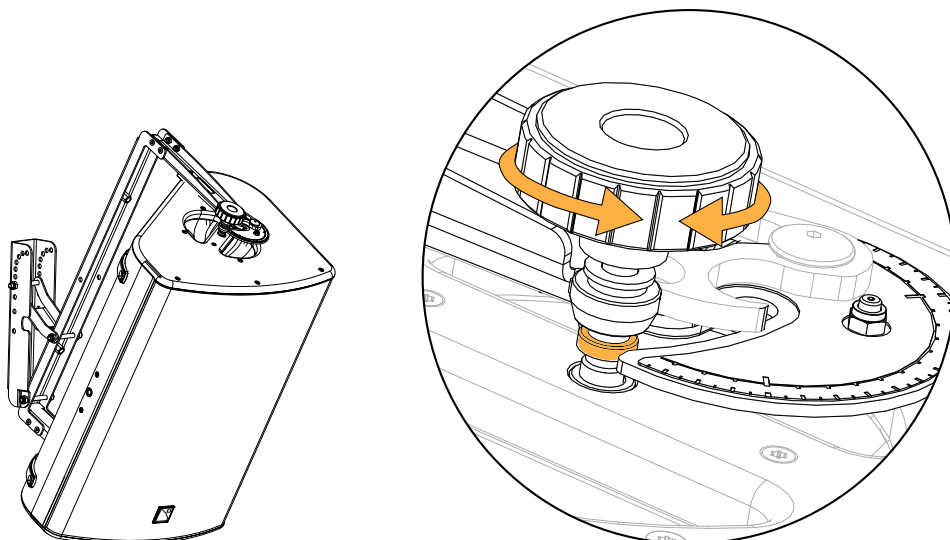
- 4.** Choose the site angle and secure the rigging arm to X-UTILT.  
Refer to the angles on the label.



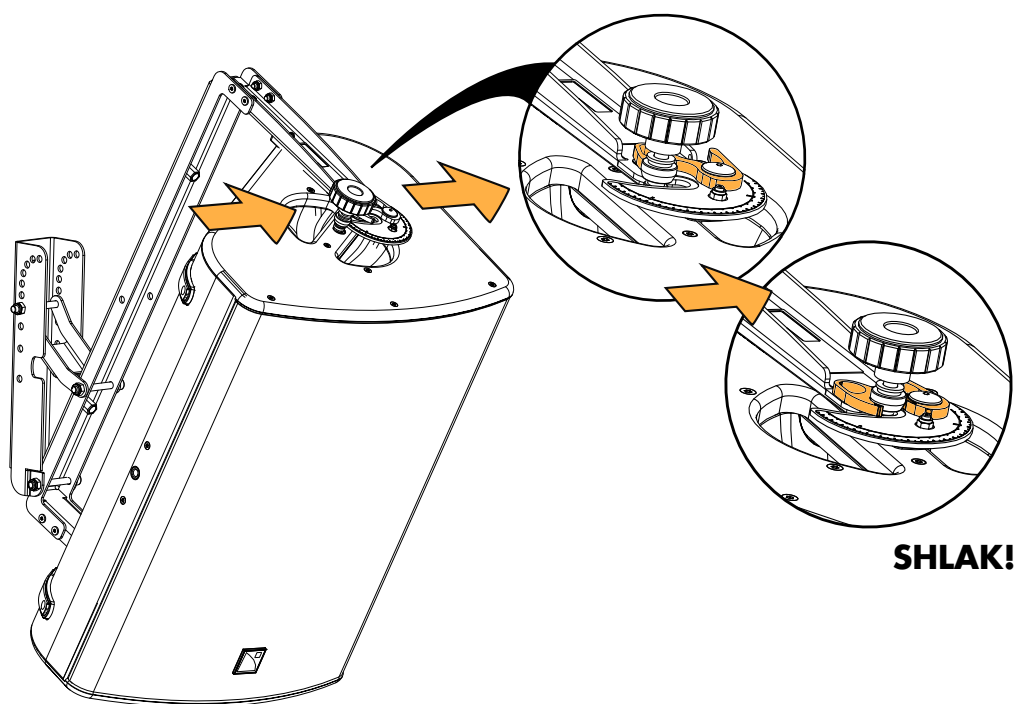
- 5.** Drive the knobs in the inserts on the enclosure.  
Stop when the threading is halfway in.



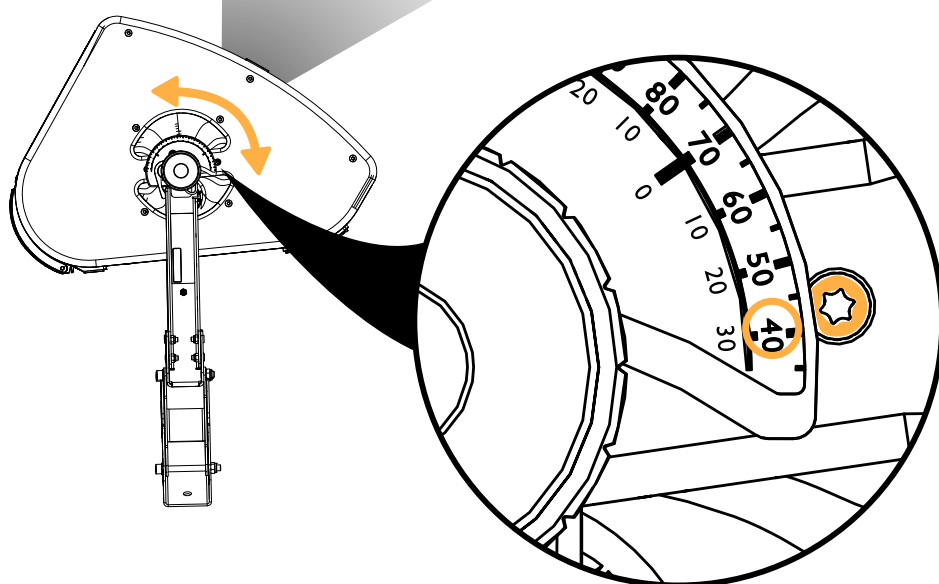
- 6.** Lift the enclosure by the knobs and place it inside the U-bracket.  
Adjust the knobs on both sides so that the safety washer is between the hook and the enclosure.



7. Push until the knobs are locked inside the spring-lock safety mechanism.

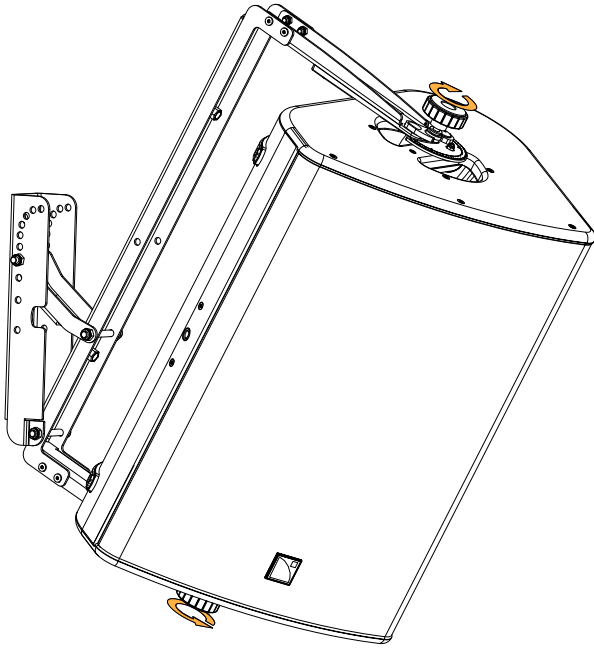


8. Set the azimuth angle.  
Use the screw as a reference point to read the label.



**9. Tighten the knobs.**

Make sure the enclosure is steady.



**Disassembly**

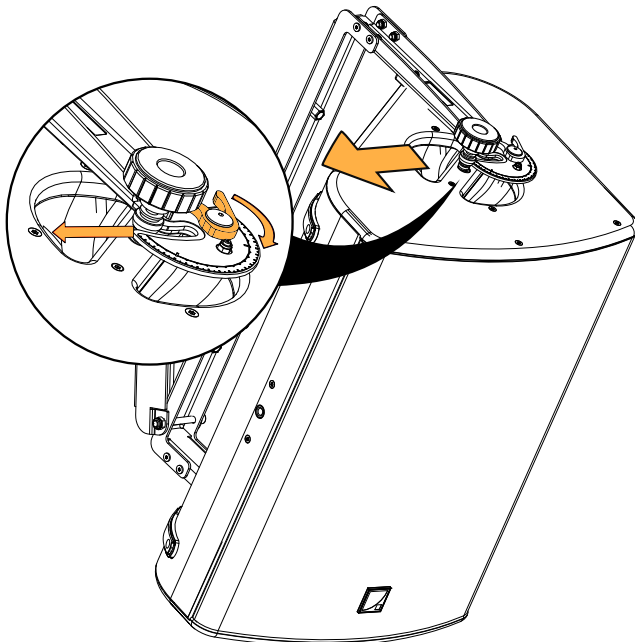
**Procedure**

1. Loosen the knobs until the enclosure can rotate freely.



Do not unscrew the knobs all the way.

2. On both sides, pull on the safety mechanism while sliding the enclosure out of the U-bracket.



3. Remove the U-bracket and X-UTILT from the wall.



## Flying

### Flying with X-US1215 or X-UL15

type of deployment	flying
rigging accessories	X-US1215 or X-UL15
additional material	M10 (3/8") truss clamp
min number of operators	1

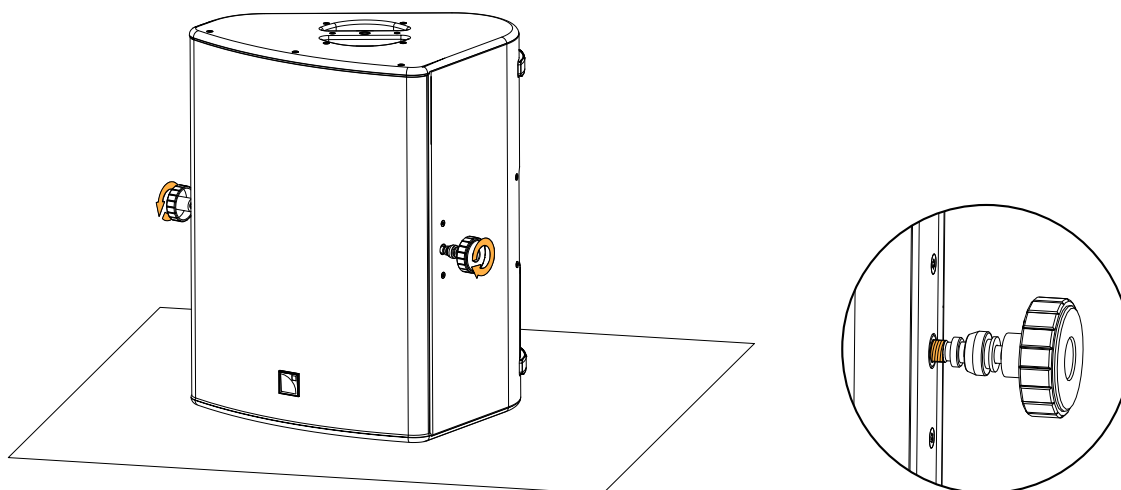
**!** **Additional safety for flown arrays**  
When flying an enclosure, use the M8 DIN580 threaded insert to implement a secondary safety.

**i** **The procedure is shown with X-US1215.**  
The same procedure applies for X-UL15.

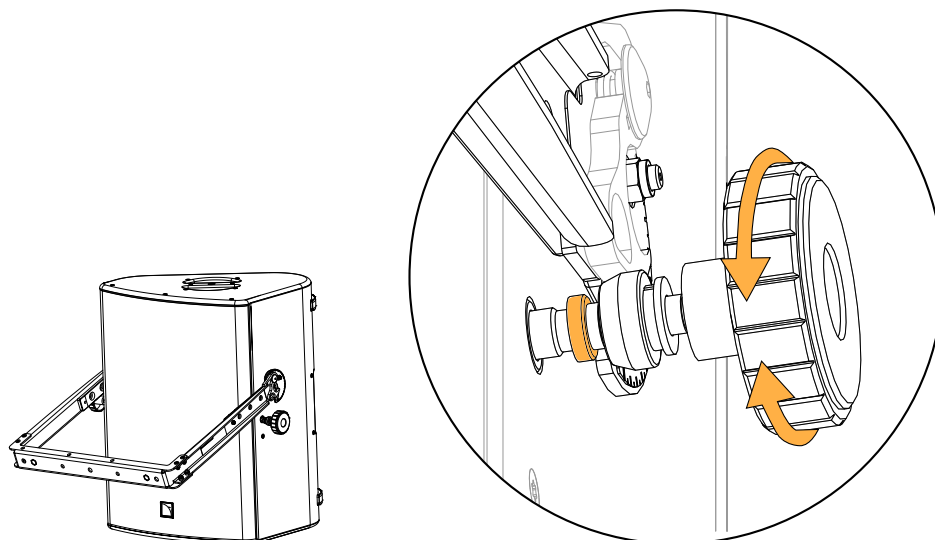
### Assembly

#### Procedure

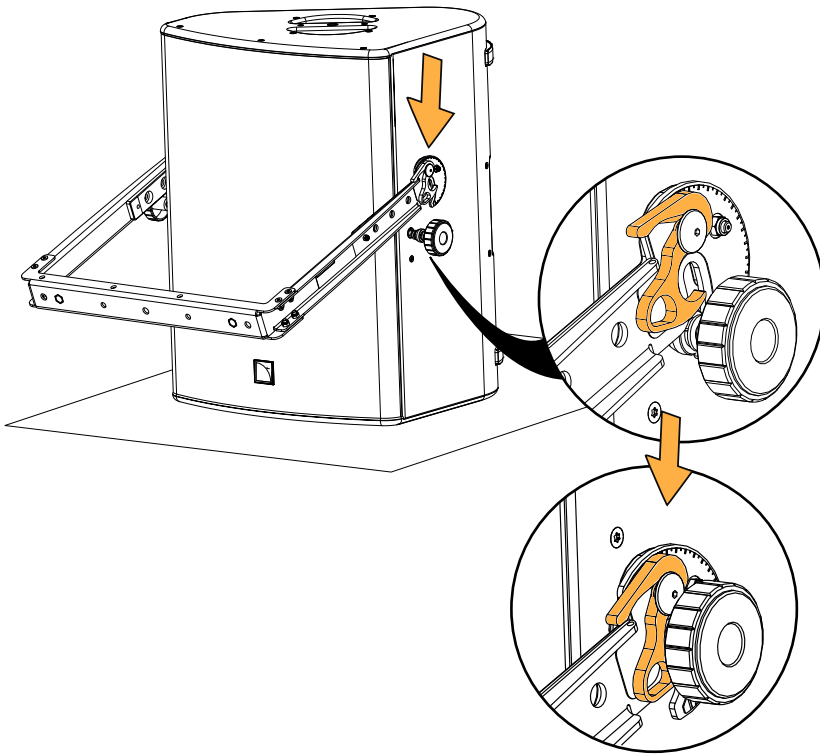
1. Drive the knobs in the inserts on the enclosure.  
Stop when the threading is halfway in.



2. Place the U-bracket around the assembly.  
Adjust the knobs on both sides so that the safety washer is between the hook and the enclosure.



3. Push down until the knobs are locked inside the spring-lock mechanism.

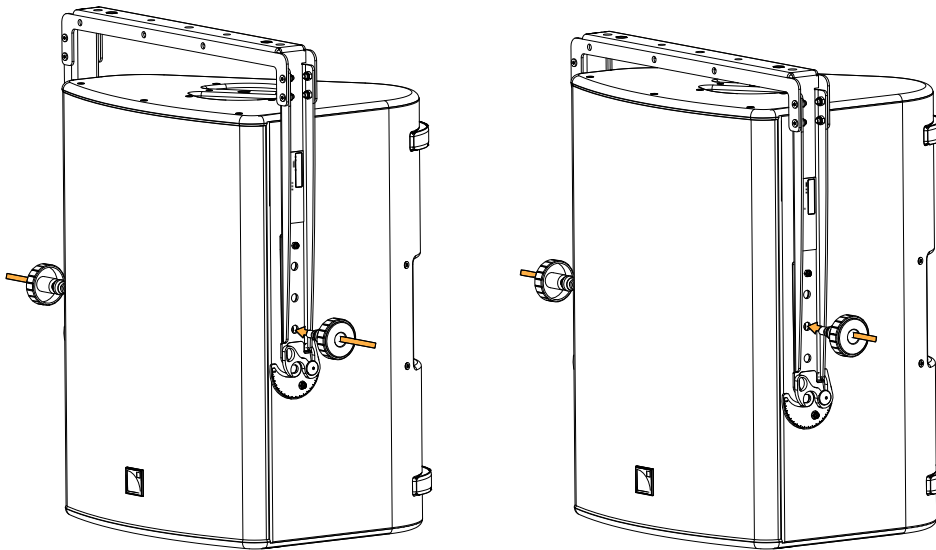


**SHLAK!**

Alternatively, use the additional holes on the U-bracket.

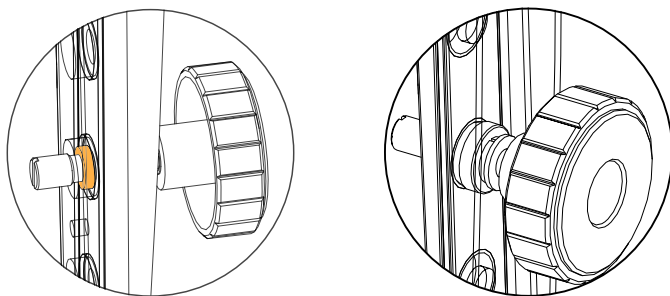


The hooks on the bracket must be oriented towards the front of the enclosure.

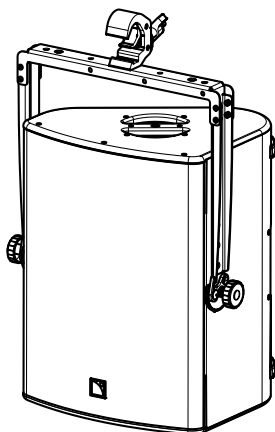




Make sure the safety washer goes through the hole on the bracket.

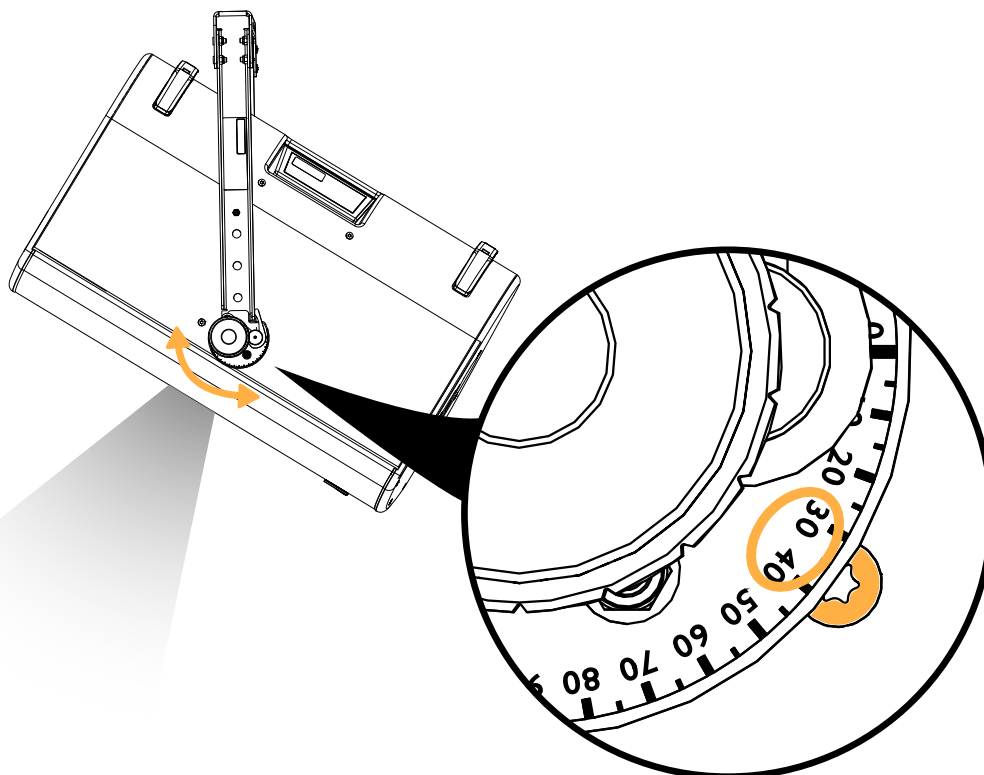


4. Tighten the knobs and fly the enclosure with a clamp.



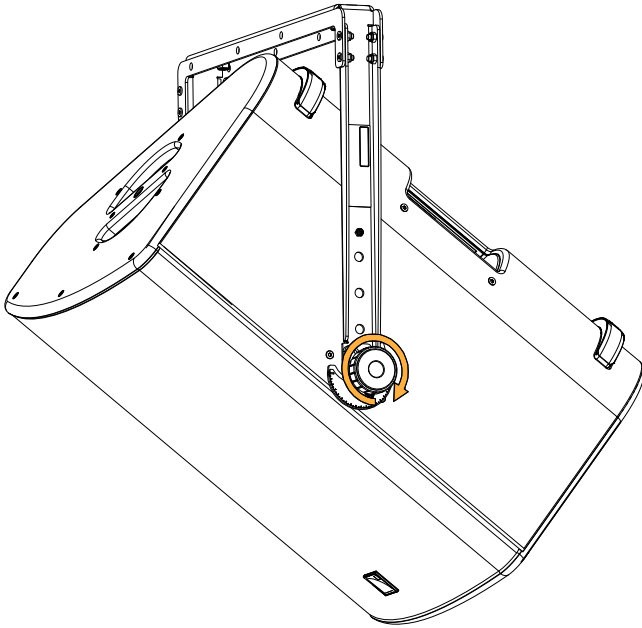
5. Loosen the knobs to set the site angle.

Use the screw as a reference point to read the label.



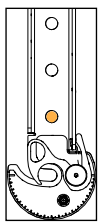
**6. Tighten the knobs.**

Make sure the enclosure is steady.

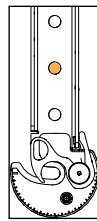
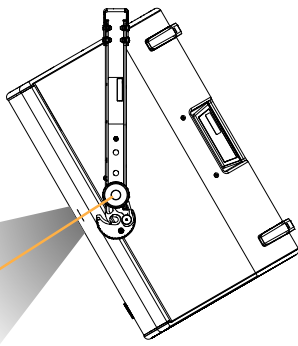


**Maximum angles**

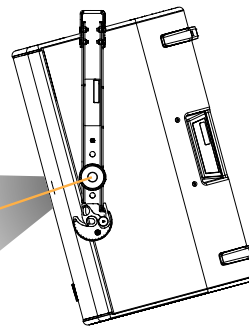
When using the additional holes on the U-bracket, consider the maximum negative site angle available.



**-30°**



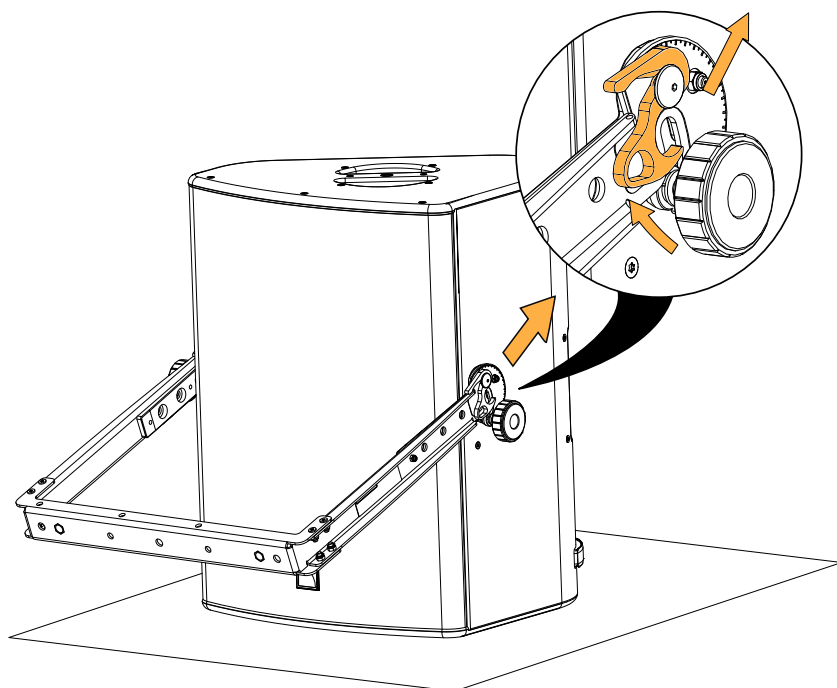
**-15°**



## Disassembly

### Procedure

1. Place the enclosure on a flat surface.
2. Loosen the knobs.
3. Pull on the safety mechanism and remove the U-bracket from the enclosure.

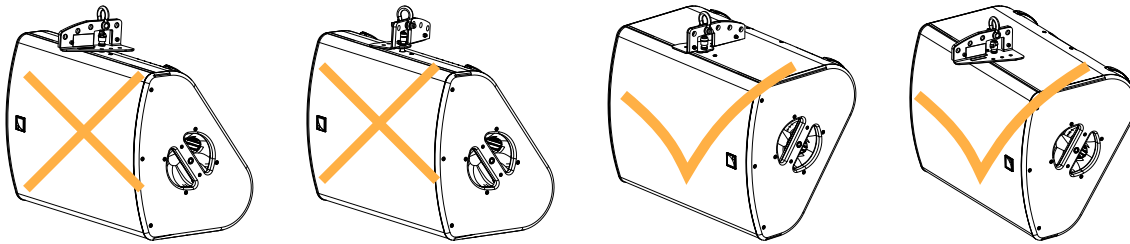


## Flying with X-BAR

type of deployment	flying
rigging accessories	X-BAR
	Ø12 mm shackles WLL 1 t (provided)
	CLAMP250 (optional)
min number of operators	1

**⚠ Additional safety for flown arrays**  
 When flying an enclosure, use the M8 DIN580 threaded insert to implement a secondary safety.

**⚠ Risk of damaging the insert and the cabinet**  
 When flying X15 HiQ horizontally with X-BAR, always use the insert on the largest side (logo on the right). On the opposite side, the contact area between X-BAR and the cabinet is too small, which can cause the insert to be damaged through lever effect.



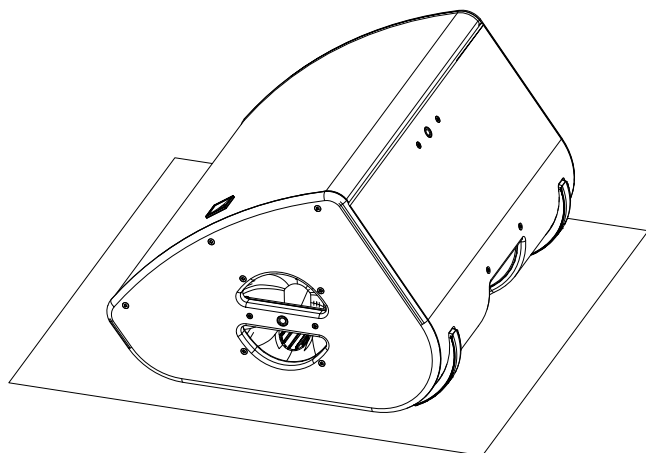
### Site angles with X-BAR

X-BAR hole N°	site angle			
	horizontal		vertical	
	rear extension	front extension	rear extension	front extension
1	22.5°	4.5°	5.5°	-9°
2	14°	14°	-1.5°	-2°
3	5°	22°	-8.5°	4.5°
4	-4°	30°	-15°	11.5°
5	-14°	38°	-22°	18.5°

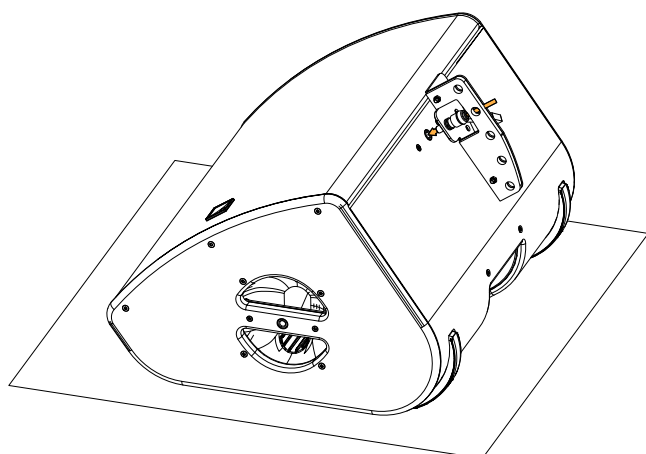
## Assembly

### Procedure

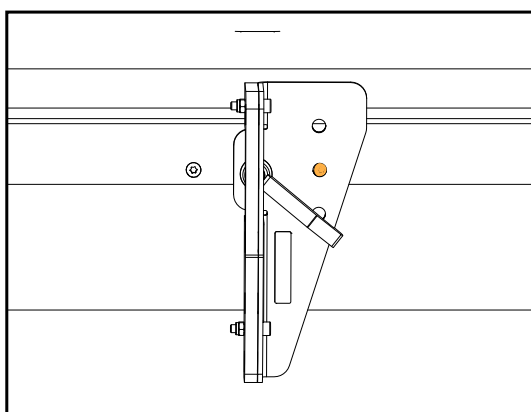
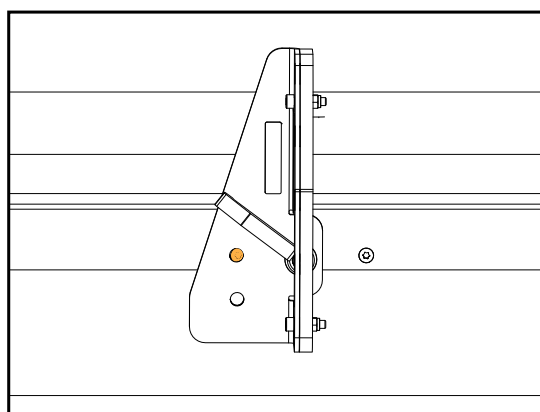
1. Lay the enclosure on a flat surface.



2. Drive the X-BAR in the insert.

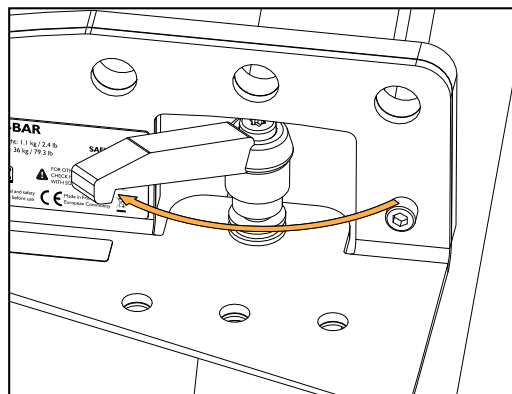
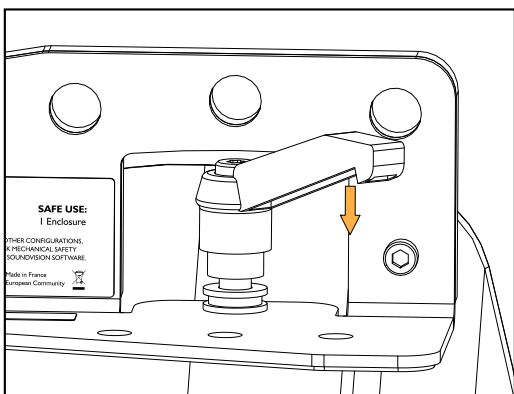
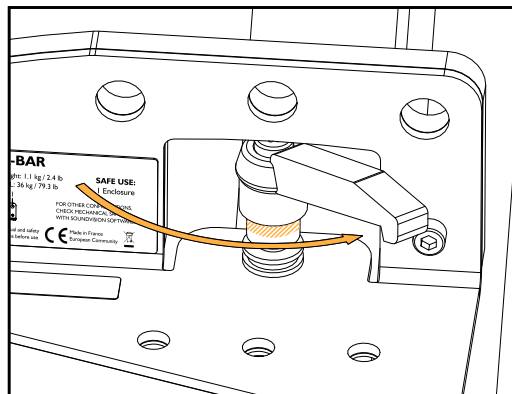
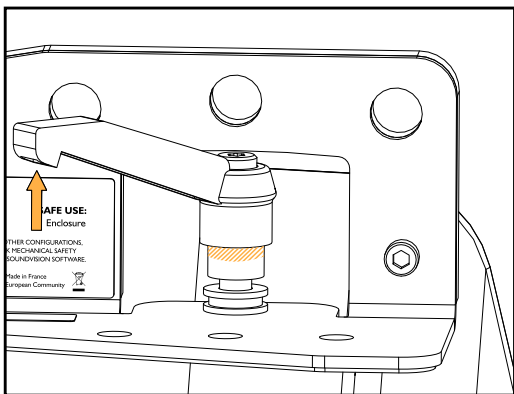


3. Rotate the X-BAR until perpendicular to the front grill.  
Use the screws as reference points.



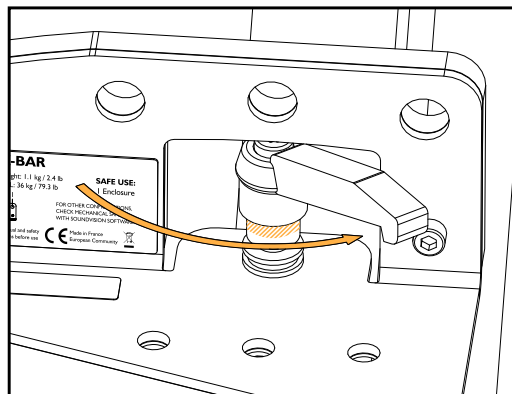
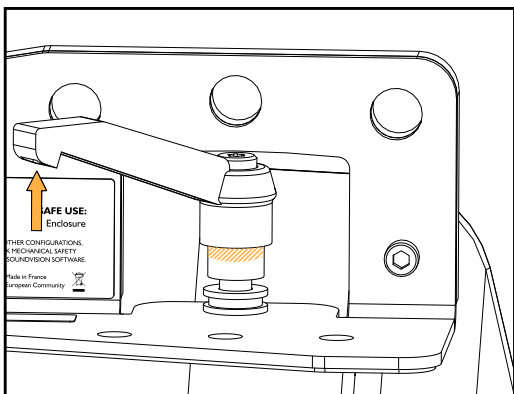
**4. Tighten the X-BAR.**

a) Lift the lever and rotate it counter-clockwise, release the lever and rotate it clockwise.



Repeat until the X-BAR is tightly secured.

b) Finally, store the lever on the right.

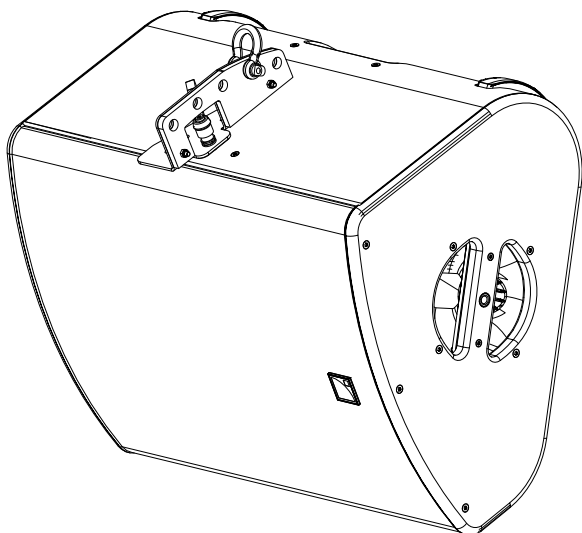


**5. Position the shackle or CLAMP250 to select the site angle.**

Refer to [Site angles with X-BAR](#) (p.58).



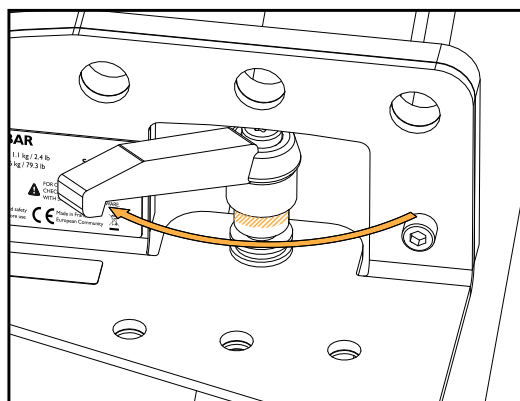
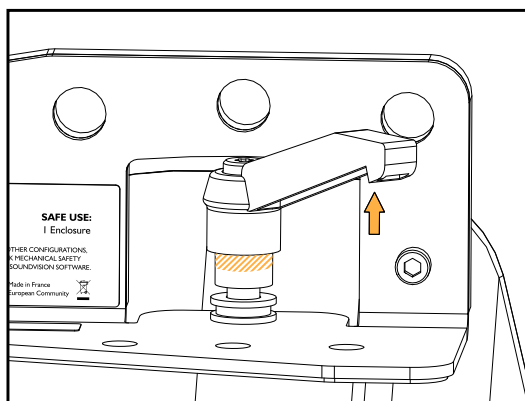
**6. Lift the assembly.**



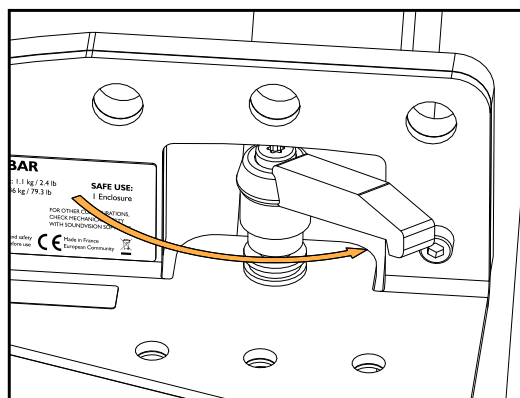
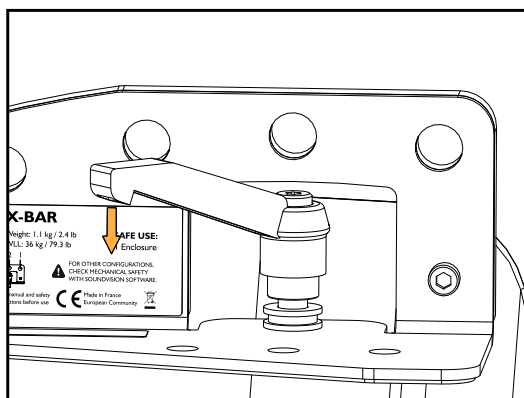
**Disassembly**

**Procedure**

1. Take down the assembly.
2. Lift the lever and rotate it clockwise.



3. Release the lever and rotate it counter-clockwise.



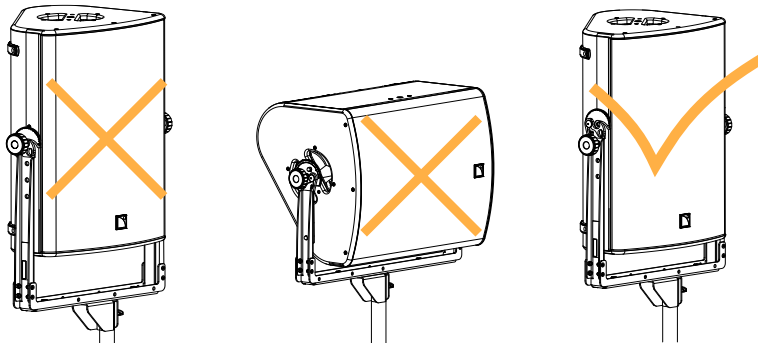
4. Repeat until the X-BAR can be removed.

## Pole-mounting

### Pole-mounting with X-US1215

type of deployment	pole-mounting
rigging accessories	X-US1215
	EMBi
additional material	35 mm pole
tools	torque screwdriver
	T30 Torx bit
	T40 Torx bit
	10 mm wrench
	13 mm wrench
min number of operators	1

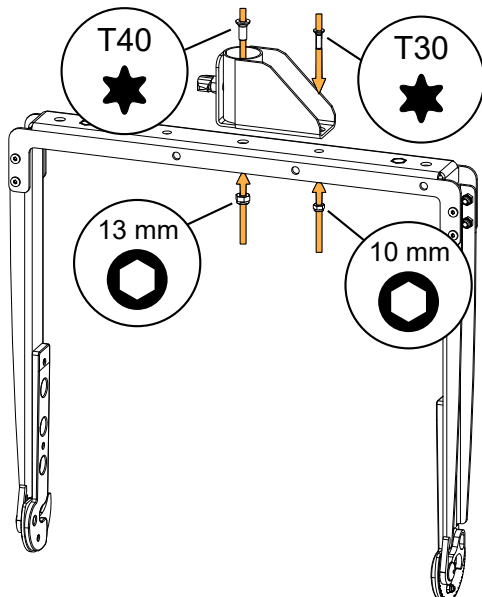
**⚠ Risk of damaging the bracket safety mechanism**  
 When using X-US1215 and EMBi for pole-mounting X15 HiQ, always use the additional holes on the bracket.  
 Do not use X-UL15 with EMBi.



### Assembly

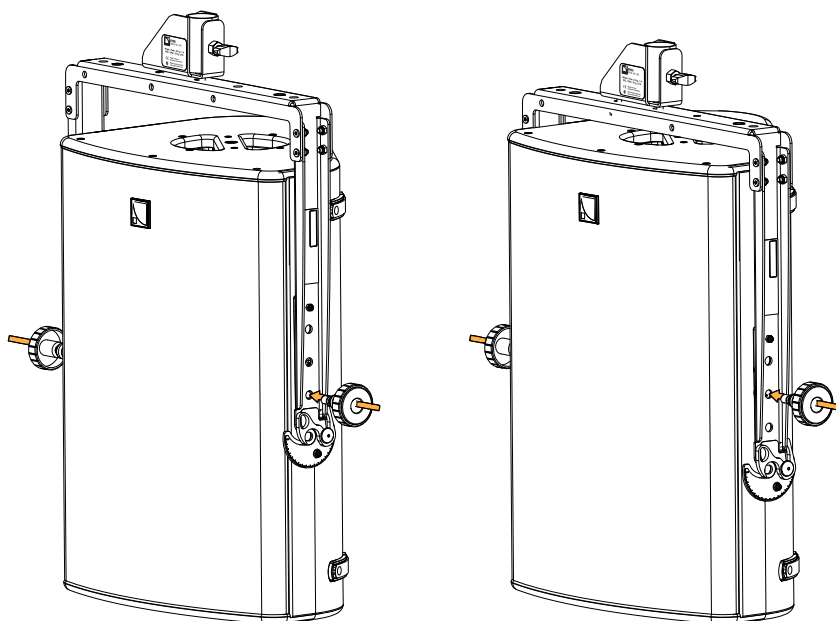
#### Procedure

1. Secure EMBi to the U-bracket with the provided bolts and nuts.

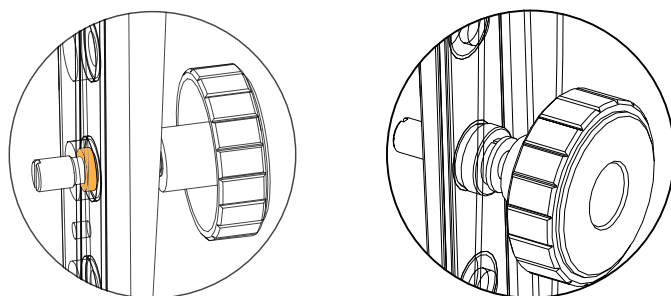


**2.** Secure the U-bracket to the enclosure using the additional holes.

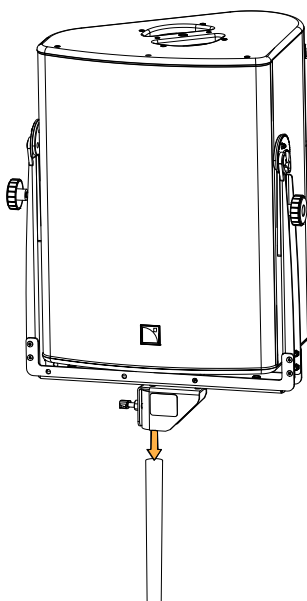
**!** The hooks on the bracket must be oriented towards the front of the enclosure.



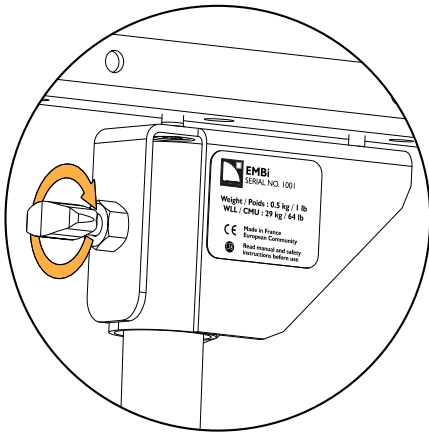
**!** Make sure the safety washer goes through the hole on the bracket.



**3.** Tighten the knobs, reverse the assembly and mount it on a pole.



**4.** Tighten EMBi.

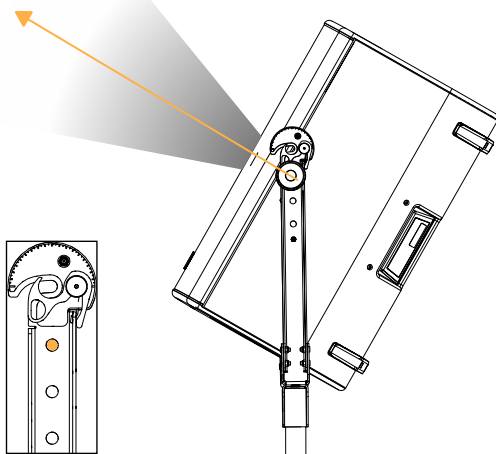


**5.** Loosen the knobs to set the site angle.

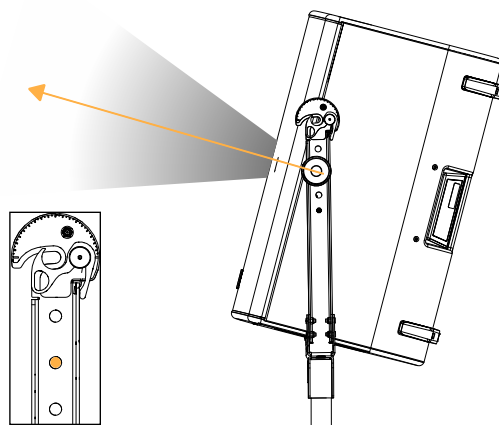
**i** Consider the maximum positive site angle available.

Maximum angles

**+30°**



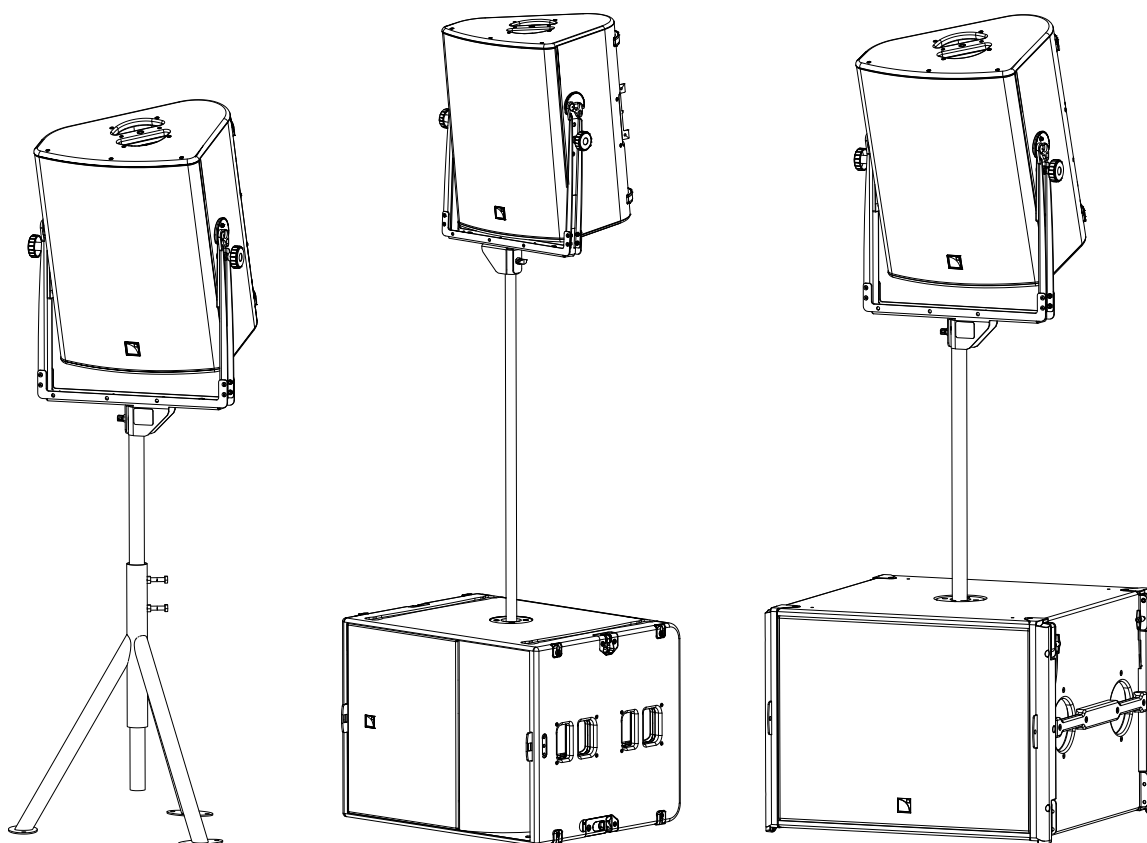
**+15°**



**6.** Tighten the knobs.

Make sure the enclosure is steady.

The assembly can be mounted on a tripod or on a subwoofer.



## Disassembly

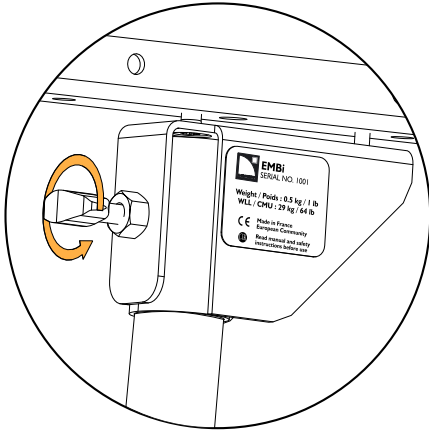
### About this task



Remove the assembly from the pole before disassembling the enclosure and the bracket.

### Procedure

1. Loosen EMBi to remove the assembly from the pole.



2. Remove the bracket from the enclosure.

## Connection to LA amplified controllers

**!** Refer to the **Amplification reference** technical bulletin for the latest information on compatibility with amplified controllers and cabling schemes for all enclosure types.

### Enclosure drive capacity per amplified controller

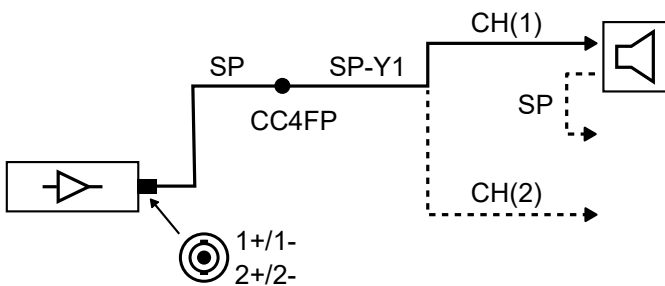
Make sure the total number of connected enclosures does not exceed the maximum number of enclosures per controller (refer to the footnotes).

	<b>LA4X</b>	<b>LA8</b>	<b>LA12X</b>
	<b>per output<sup>*</sup> / total</b>	<b>per output<sup>*</sup> / total</b>	<b>per output<sup>*</sup> / total</b>
X15 HiQ	1 / 2	2 / 4	3 / 6

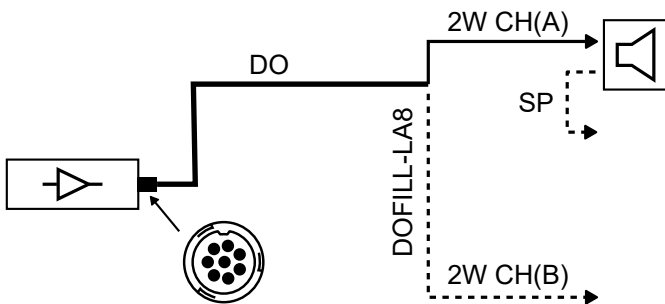
### Cabling schemes for X15 HiQ

Refer to the cabling schemes to connect the enclosures to different types of output connectors.

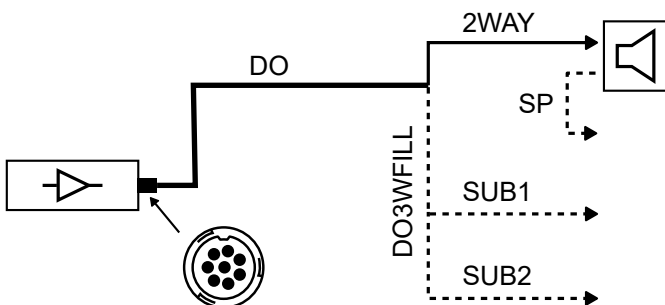
#### Two-channel speakON output



#### Four-channel CA-COM output



#### Four-channel CA-COM output for one X15 HiQ and two subwoofers



\* For passive loudspeakers, the value corresponds to the number of enclosures in parallel on the output. For active loudspeakers, the value corresponds to the number of sections in parallel on the output.

# Corrective maintenance

## Introduction

---

This section contains the following maintenance procedures:

- [Grill](#) (p.70)
- [Waveguide](#) (p.71)
- [Coaxial loudspeaker](#) (p.75)
- [HF diaphragm](#) (p.76)

For advanced maintenance, contact your L-Acoustics representative.

## Tools and consumables

Before performing maintenance on this product, make sure all the tools listed are available. References are given for FACOM® products in this table. Other manufacturers can be used.

<b>name</b>	<b>reference</b>	<b>distributor</b>
Set of 6-point 1/4" sockets *	RL.NANO1 / R.360NANO	FACOM
Torque screwdriver (2 - 10 N.m) *	A.404	FACOM
3 mm hex wrench	-	-
compressed air blower	-	-
double face adhesive tape	-	-



\* included in the L-Acoustics Maintenance Toolcase.

## Maintenance Toolcase

The Maintenance Toolcase is a carry-on suitcase that includes all the tools required to perform maintenance on L-Acoustics products. This toolcase is aimed at Certified Providers.

The Maintenance Toolcase uses a Peli™ 1510 Protector case that features three pre-cut layers of foam to safely fit the tools. The Maintenance Toolcase includes tools manufactured by FACOM®, Fluke®, Tohnichi, ABUS, and Würth.



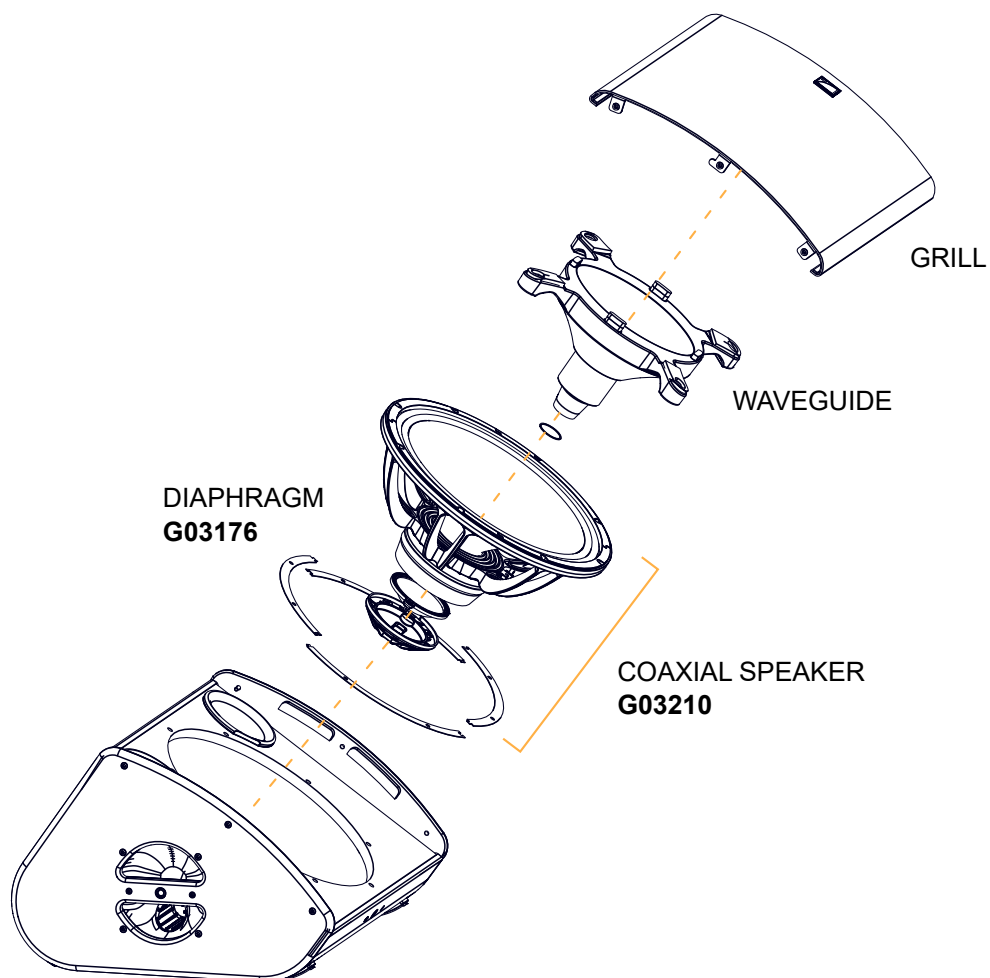
All third-party trademarks, registered trademarks, or product names are the property of their respective owners.



## X15 HiQ

### Disassembly and Reassembly procedures

In order to operate, follow the order outlined here. Each assembly refers to the corresponding D/R procedure and the necessary repair kit.



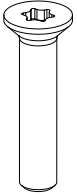
## D/R - Grill

### Tools

- torque screwdriver
- T25 Torx bit

### Repair kit

**G03210 - KR coaxial speaker X15 HiQ or  
G03176 - KR diaphragm X15 HiQ**



x6

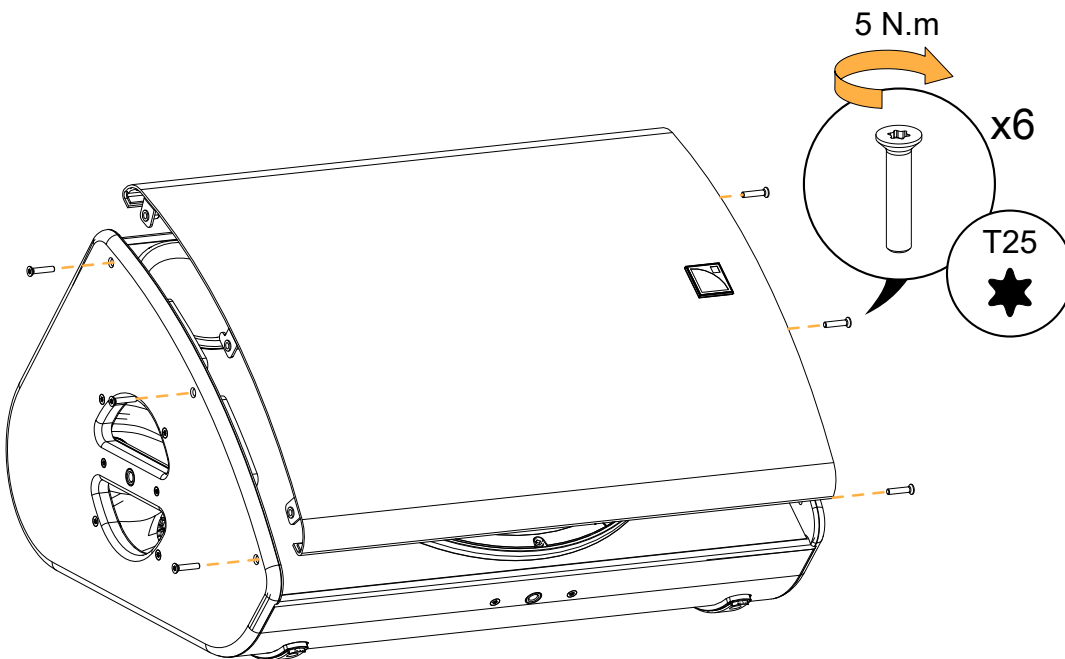
S100033

M5x25 Torx

### Exploded view

- ❗ For safety reasons, always use the new screws and spare parts provided in the KR. If no new screws are available, use blue threadlocker.
- ❗ Gradually tighten the screws following a star pattern.

Position the logo on the right side.



## D/R - Waveguide

### Tools

- torque screwdriver
- 4 mm hex bit
- 5 mm hex bit

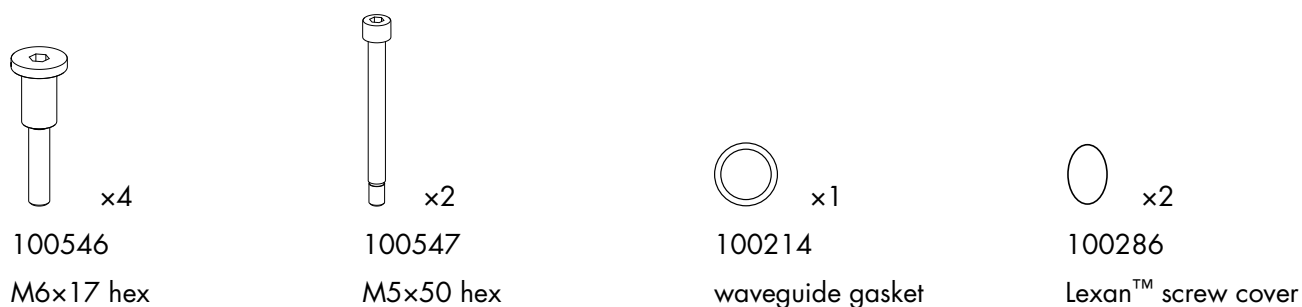
### Consumables

- cyanoacrylate glue

### Repair kit

**G03210 - KR coaxial speaker X15 HiQ or**

**G03176 - KR diaphragm X15 HiQ**



### Prerequisite

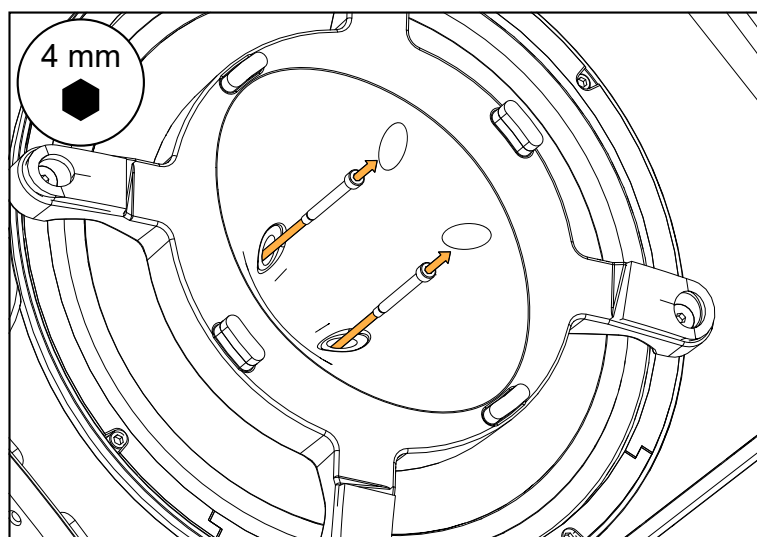
Grill disassembled.

See [Grill](#) (p.70).

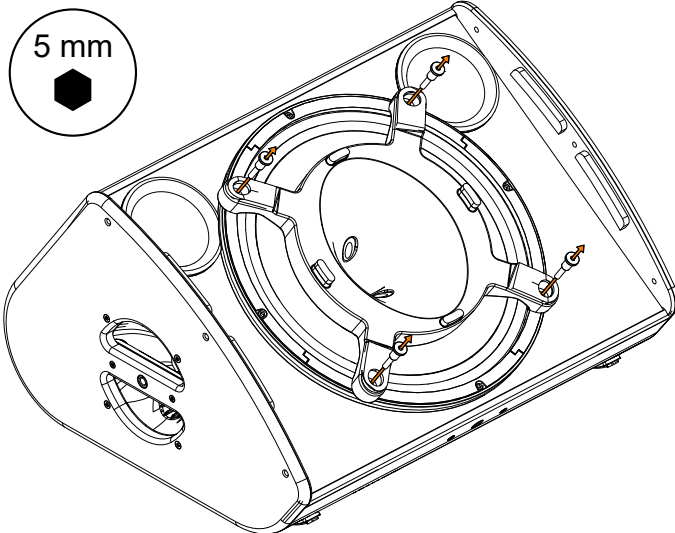
### Disassembly

#### Procedure

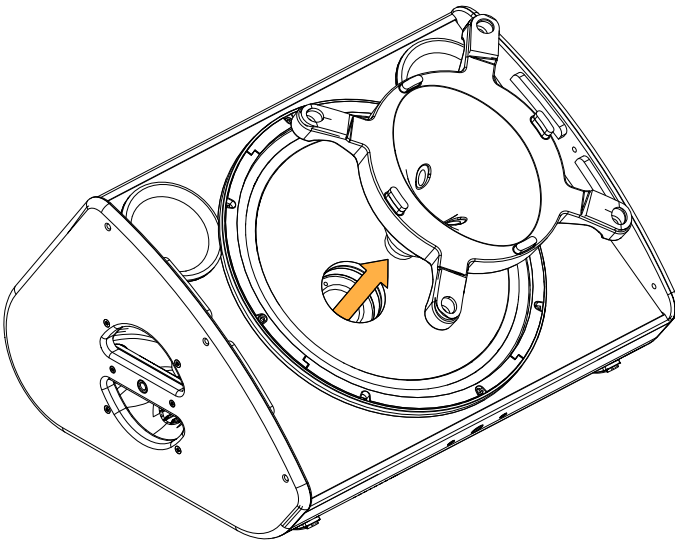
1. Remove the Lexan screw covers.
2. Remove the two screws securing the waveguide to the speaker.



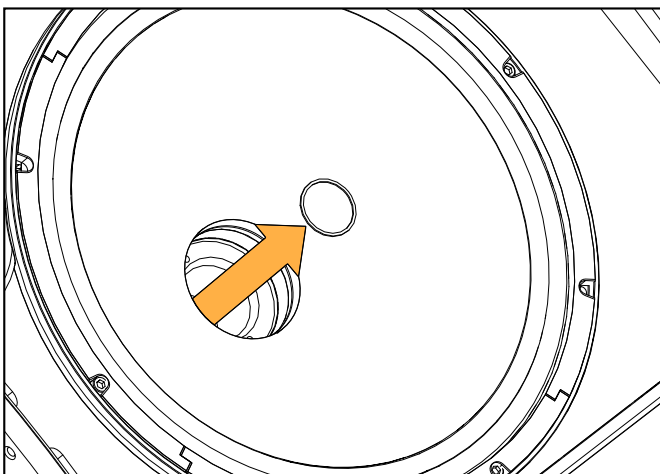
3. Remove the four remaining screws.



4. Carefully remove the waveguide.



5. Remove the waveguide gasket.



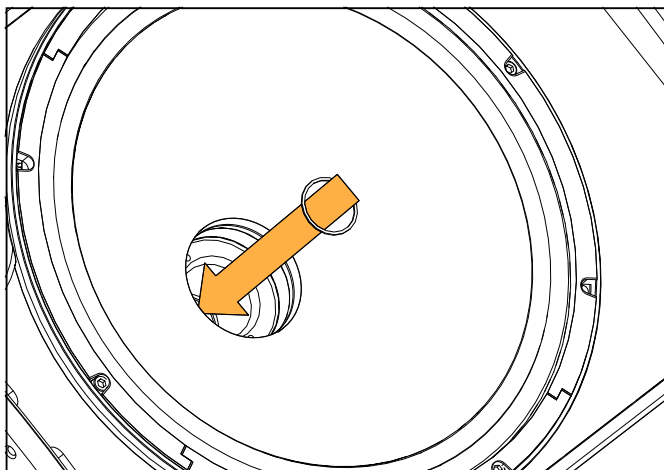
## Reassembly

### About this task

**!** For safety reasons, always use the new screws and spare parts provided in the KR.

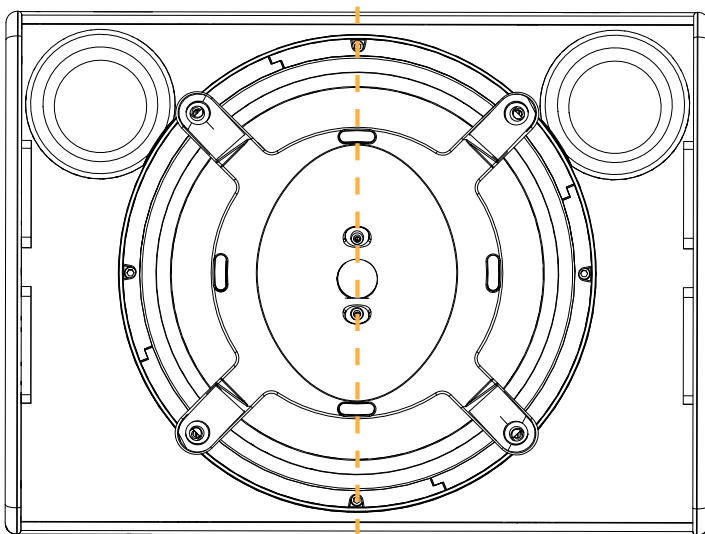
### Procedure

1. Place the gasket inside the throat of the speaker.

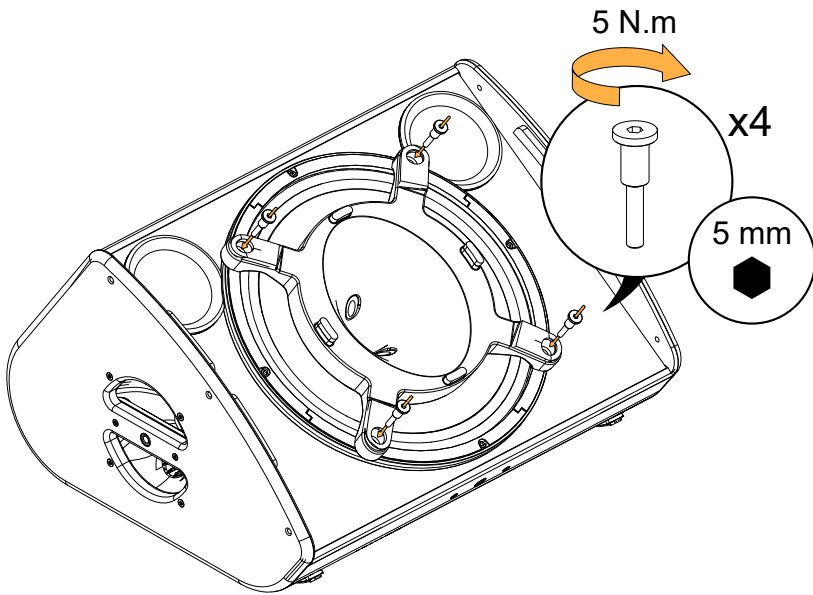


2. Position the waveguide.

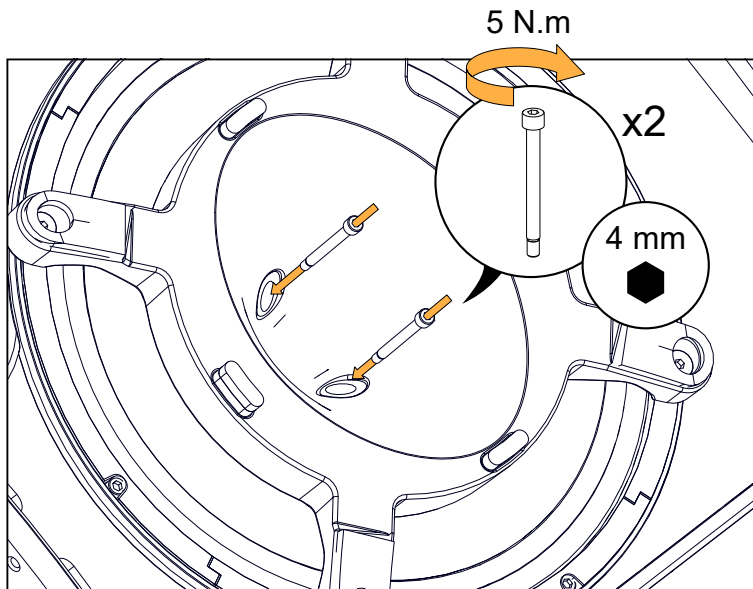
The center holes are aligned with the connectors.



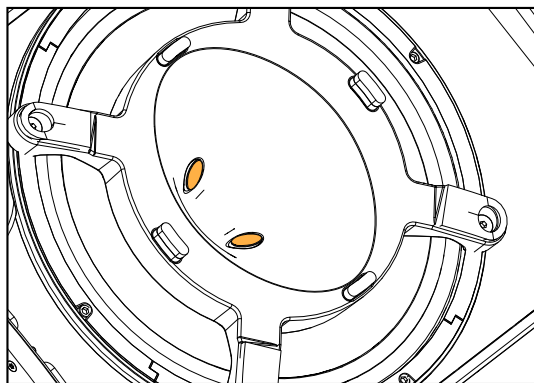
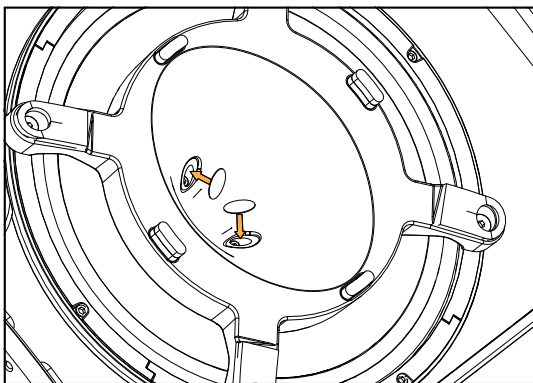
- 3.** Secure the waveguide to the cabinet with the provided 100546 screws.



- 4.** Secure the waveguide to the speaker with the provided 100547 screws.



- 5.** Stick the Lexan screw covers with the cyanoacrylate glue.



## D/R - Coaxial loudspeaker

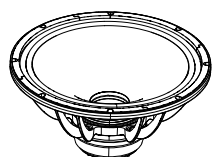
### Tools

- torque screwdriver
- 5 mm hex bit

### Repair kit

#### G03210

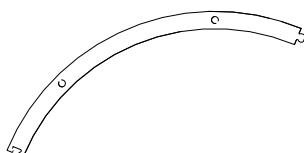
KR coaxial speaker X15 HiQ



x1

17864

15" coaxial loudspeaker - 8 ohms



x4

1245

15" speaker gasket



x4

S100054

M6x30 hex

### Prerequisite

Grill disassembled.

See [Grill](#) (p.70).

Waveguide removed.

See [Waveguide](#) (p.71).

### Exploded view



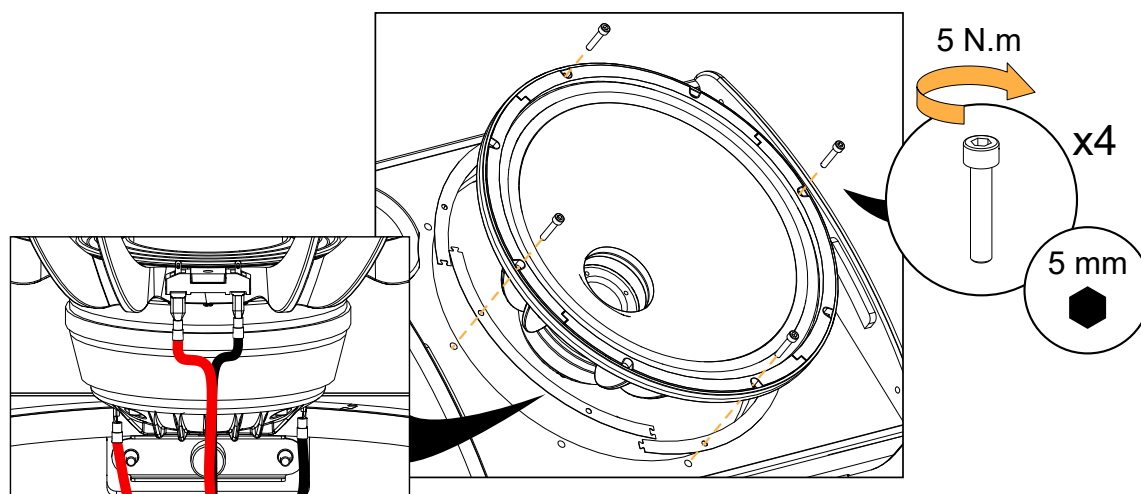
For safety reasons, always use the new screws and spare parts provided in the KR.



Gradually tighten the screws following a star pattern.



If the speaker gasket is damaged, remove and replace it.



### What to do next

Perform the [Acoustical check](#) (p.39) procedures.

## D/R - HF diaphragm

### Tools

- torque screwdriver
- 3 mm hex bit
- 3 mm hex wrench
- blower

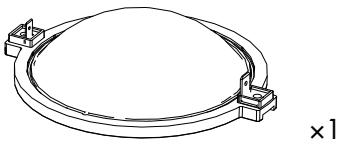
### Consumables

- double face adhesive tape

### Repair kit

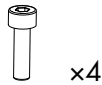
#### G03176

KR diaphragm X15 HiQ



17581

diaphragm assembly (with 2 shims)



S100082

M4x14 hex

### Prerequisite

Grill disassembled.

Waveguide removed.

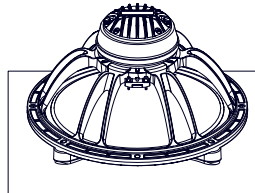
Coaxial speaker removed.

The speaker is placed on a flat surface in a dust-free environment.

See [Grill](#) (p.70).

See [Waveguide](#) (p.71).

See [Coaxial loudspeaker](#) (p.75).



### Disassembly

#### Procedure

- 1.** Remove the four screws securing the cover.  
Use the 3 mm hex bit.
- 2.** Remove the cover.
- 3.** Carefully remove the diaphragm.
- 4.** If there are shims on the dome, carefully remove them.  
Take note of how many and what kind of shims are present.



## Reassembly

### About this task

**!** For safety reasons, always use the new screws and spare parts provided in the KR.

### Procedure

1. Clean the dome and the air gap.

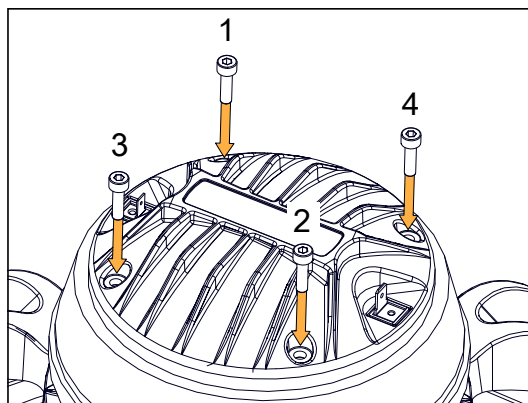
Use a blower or double face adhesive tape to remove any particle.



Make sure the air gap is perfectly clean before moving to the next step.

2. Place the same kind and number of shims that were initially present.
3. Carefully place the diaphragm.
4. Position the diaphragm using the LF cable connectors as reference points.  
Place the small HF connector on the same side as the small LF connector.
5. Secure the cover to the speaker using four S100082 screws.
  - a) Gradually secure each screw manually with the 3 mm hex wrench.

Follow a cross scheme.



- b) Tighten the screws in the same order with the electric screwdriver.  
Use the 3 mm hex bit. Set the torque to 3.5 Nm.

### What to do next

Perform the [Acoustical check](#) (p.39) procedures.

# Specifications

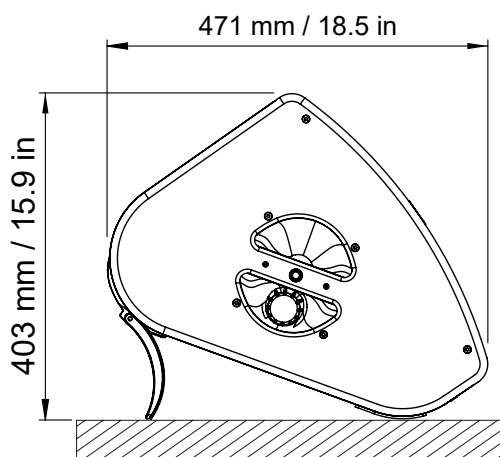
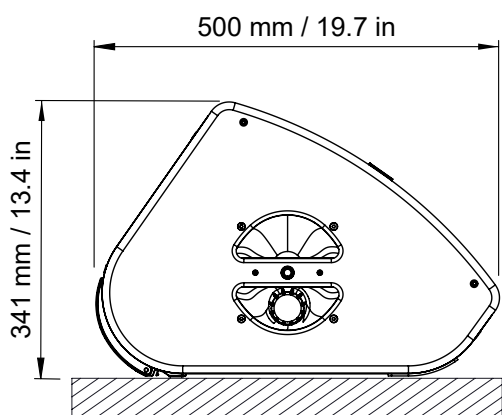
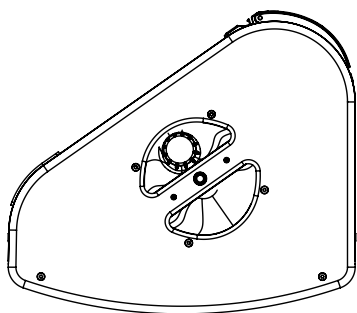
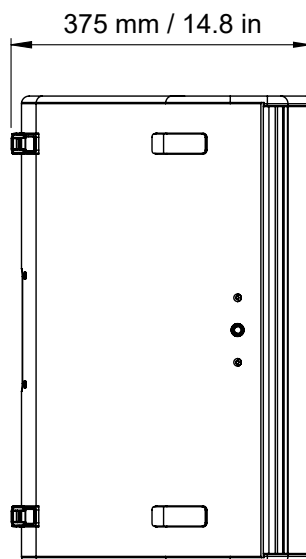
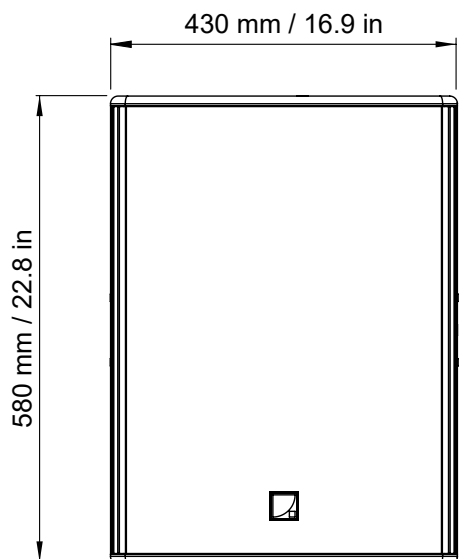
## X15 HiQ specifications

---

<b>Description</b>	2-way active coaxial enclosure: 15" LF + 3" HF diaphragm, amplified by LA4X / LA8 / LA12X
<b>Usable bandwidth (-10 dB)</b>	55 Hz - 20 kHz ([X15])
<b>Maximum SPL<sup>1</sup></b>	138 dB ([X15])
<b>Nominal directivity (-6 dB)</b>	vertical: 60° horizontal: 40°
<b>Monitoring angle</b>	without risers: 35° with risers: 55°
<b>Transducers</b>	LF: 1 × 15" cone driver HF: 1 × 3" diaphragm compression driver, neodymium
<b>Acoustical load</b>	bass-reflex, L-Vents, ellipsoidal waveguide
<b>Nominal impedance</b>	LF: 8 Ω HF: 8 Ω
<b>Connectors</b>	IN: 1 × 4-point speakON LINK: 1 × 4-point speakON
<b>Rigging and handling</b>	2 handles 1 DIN580-compatible M8 threaded insert 4 M10 threaded inserts 2 × 35 mm pole sockets
<b>Weight (net)</b>	21 kg / 46.3 lb
<b>Cabinet</b>	premium grade Baltic beech and birch plywood
<b>Front</b>	steel with anti-corrosion coating acoustically neutral 3D fabric
<b>Finish</b>	dark grey brown Pantone 426 C custom RAL code on special order
<b>IP</b>	IP43

<sup>1</sup> Peak level measured at 1 m under free field conditions using pink noise with crest factor 4 (preset specified in brackets).

### X15 HiQ dimensions

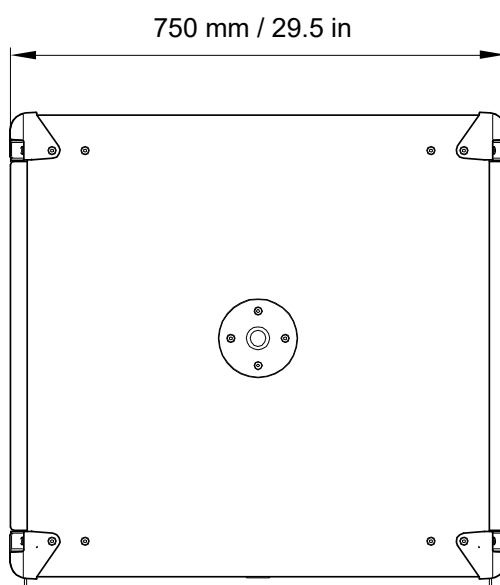
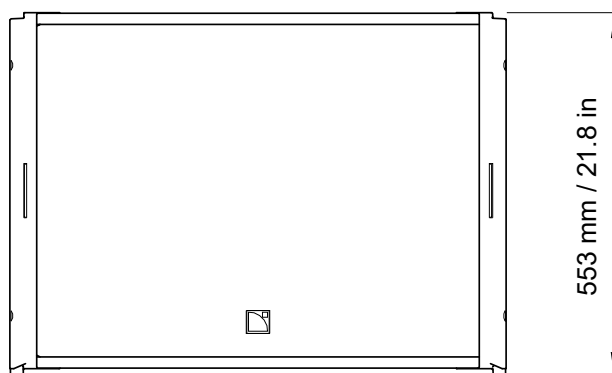
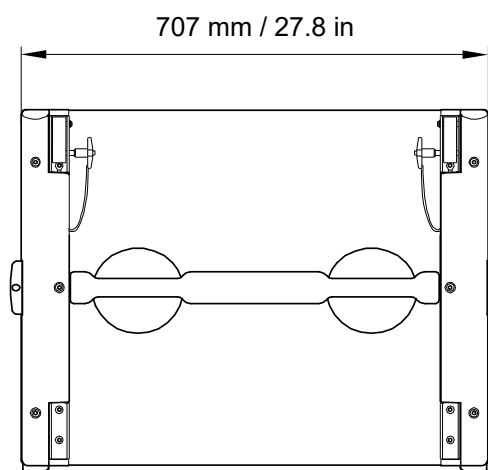


## SB18 specifications

---

<b>Description</b>	High power compact subwoofer: 1 x 18" , amplified by LA4X / LA8 / LA12X
<b>Low frequency limit (-10 dB)</b>	32 Hz ([SB18_100])
<b>Maximum SPL<sup>1</sup></b>	138 dB ([SB18_100])
<b>Nominal directivity (-6 dB)</b>	standard or cardioid
<b>Transducers</b>	1 x 18"
<b>Acoustical load</b>	dual bass-reflex, L-Vents
<b>Nominal impedance</b>	8 $\Omega$
<b>Connectors</b>	IN: 1 x 4-point speakON LINK: 1 x 4-point speakON
<b>Rigging and handling</b>	4 handles integrated into the cabinet captive rigging system 1 x 35 mm pole socket
<b>Weight (net)</b>	52 kg / 115 lb
<b>Cabinet</b>	premium grade Baltic birch plywood
<b>Front</b>	coated steel grill acoustically neutral 3D fabric
<b>Rigging components</b>	steel with anti-corrosion coating
<b>Finish</b>	dark grey brown Pantone 426 C
<b>IP</b>	IP55

<sup>1</sup> Peak level at 1 m under half space conditions using pink noise with crest factor 4 (preset specified in brackets).

**SB18 dimensions**

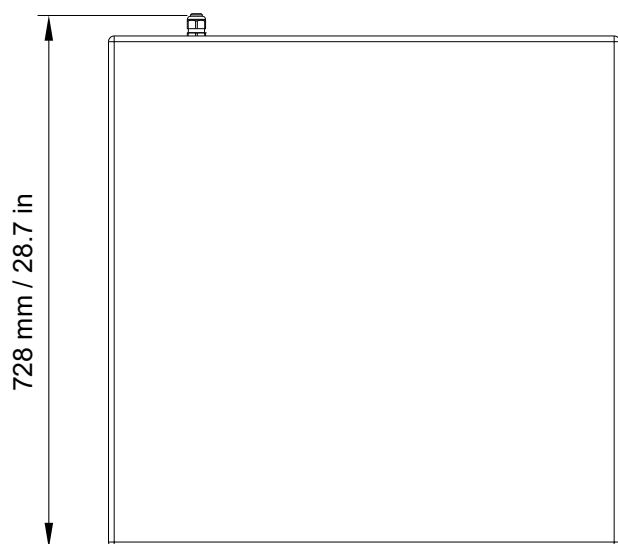
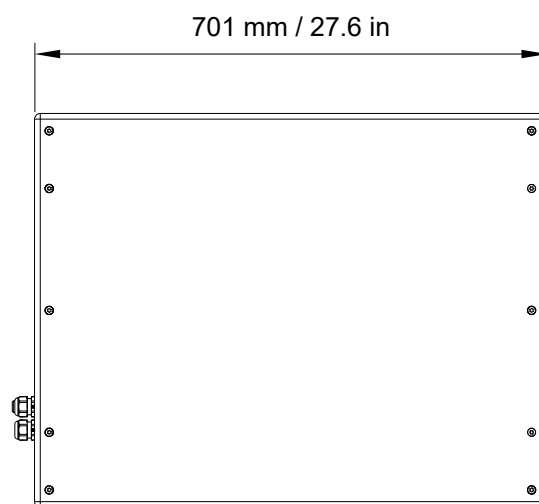
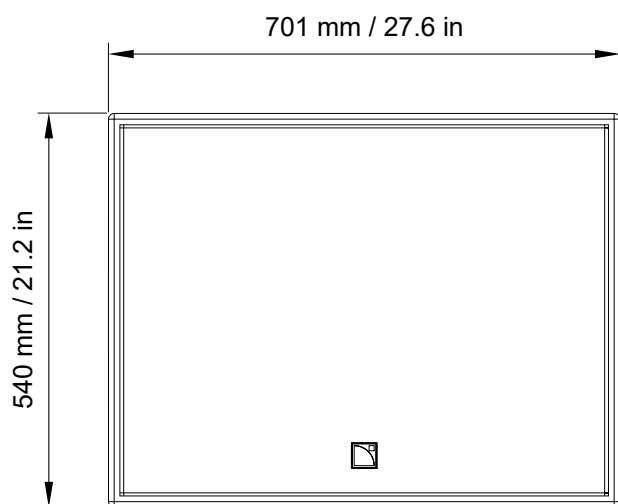
## SB18 Ili specifications

---

<b>Description</b>	High power compact subwoofer: 1 x 18" (installation version), amplified by LA2Xi / LA4X / LA8 / LA12X
<b>Low frequency limit (-10 dB)</b>	32 Hz ([SB18_100])
<b>Maximum SPL<sup>1</sup></b>	138 dB ([SB18_100]) with LA2Xi (bridge mode) / LA4X / LA8 / LA12X 133 dB ([SB18_100]) with LA2Xi
<b>Directivity</b>	standard or cardioid
<b>Transducers</b>	1 x 18" cone driver
<b>Acoustical load</b>	dual bass-reflex
<b>Nominal impedance</b>	8 Ω
<b>Connectors</b>	1 x 4-point terminal block with push-in connection
<b>Rigging and handling</b>	external rigging kits 12 M6 inserts for rigging 8 M6 inserts for screens
<b>Weight (net)</b>	48 kg / 106 lb
<b>Cabinet</b>	premium grade Baltic birch plywood
<b>Front</b>	coated steel grill acoustically neutral 3D fabric
<b>Finish</b>	dark grey brown Pantone 426 C pure white RAL 9010 custom RAL code on special order
<b>IP</b>	IP55

<sup>1</sup> Peak level at 1 m under half space conditions using pink noise with crest factor 4 (preset specified in brackets).

### SB18 Ili dimensions



## KS21 specifications

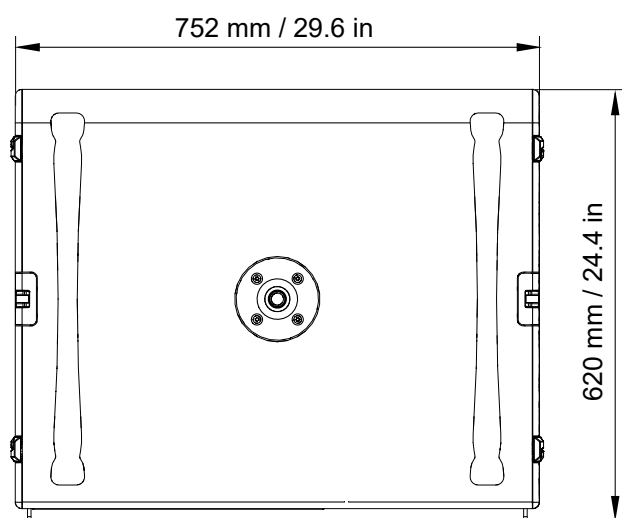
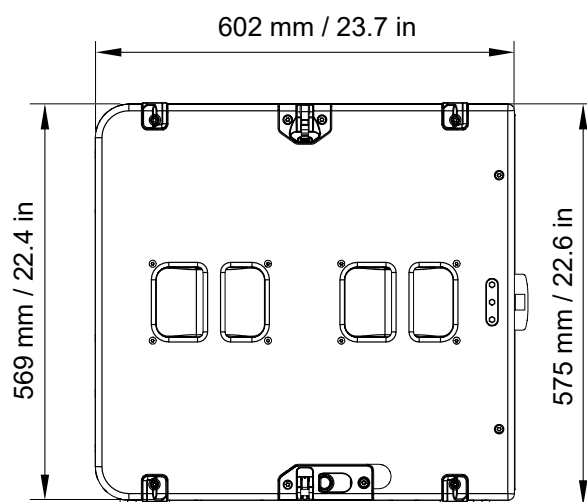
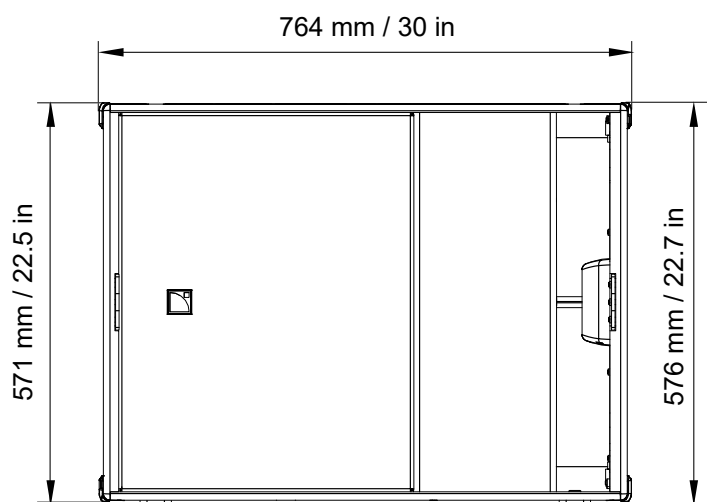
---

<b>Description</b>	High power compact subwoofer: 1x21" , amplified by LA4X / LA8 / LA12X
<b>Low frequency limit (-10 dB)</b>	31 Hz ([KS21_100])
<b>Maximum SPL<sup>1</sup></b>	138 dB ([KS21_100])
<b>Nominal directivity (-6 dB)</b>	standard or cardioid configuration
<b>Transducers</b>	1 × 21" neodymium cone driver
<b>Acoustical load</b>	bass-reflex, L-Vents
<b>Nominal impedance</b>	8 Ω
<b>Connectors</b>	IN: 1 × 4-point speakON LINK: 1 × 4-point speakON
<b>Rigging and handling</b>	flush-fitting 2-point rigging system 4 handles 8 corner stops 2 ground runners 1 pole mount with M20×150 insert
<b>Weight (net)</b>	49 kg / 108 lb
<b>Cabinet</b>	premium grade Baltic beech and birch plywood
<b>Front</b>	coated steel grill acoustically neutral 3D fabric
<b>Rigging components</b>	high grade steel with anti-corrosion coating
<b>Finish</b>	dark grey brown Pantone 426 C
<b>IP</b>	IP55

<sup>1</sup> Peak level at 1 m under half space conditions using pink noise with crest factor 4 (preset specified in brackets).



### KS21 dimensions



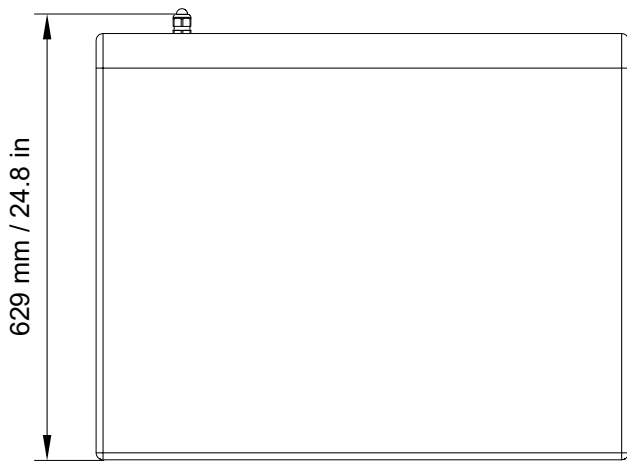
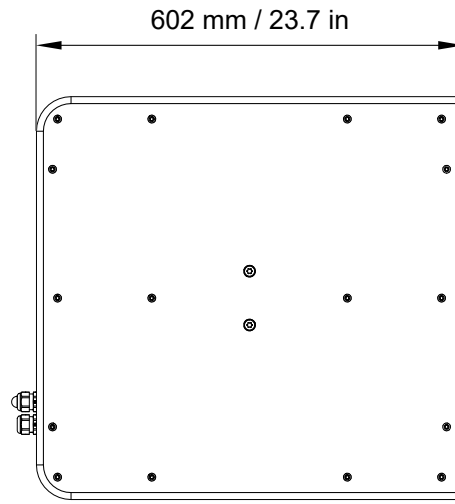
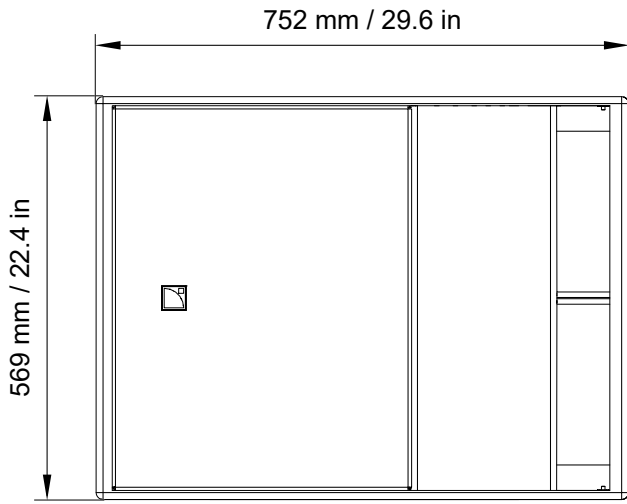
## KS21i specifications

---

<b>Description</b>	High power compact subwoofer: 1 x 21" (installation version), amplified by LA2Xi / LA4X / LA8 / LA12X
<b>Low frequency limit (-10 dB)</b>	31 Hz ([KS21_100])
<b>Maximum SPL <sup>1</sup></b>	138 dB ([KS21_100]) with LA2Xi (bridge mode) / LA4X / LA8 / LA12X 131 dB ([KS21_100]) with LA2Xi
<b>Nominal directivity (-6 dB)</b>	standard or cardioid configuration
<b>Transducers</b>	1 x 21" neodymium cone driver
<b>Acoustical load</b>	bass-reflex, L-Vents
<b>Nominal impedance</b>	8 Ω
<b>Connectors</b>	1 x 4-point terminal block with push-in connection
<b>Rigging and handling</b>	external rigging kits M6 inserts for rigging plates M8 inserts for A-U15i 1 DIN580-compatible M8 threaded insert
<b>Weight (net)</b>	46 kg / 101 lb
<b>Cabinet</b>	premium grade Baltic beech and birch plywood
<b>Front</b>	coated steel grill acoustically neutral 3D fabric
<b>Finish</b>	dark grey brown Pantone 426 C pure white RAL 9010 custom RAL code on special order
<b>IP</b>	IP55

<sup>1</sup> Peak level at 1 m under half space conditions using pink noise with crest factor 4 (preset specified in brackets).

### KS21i dimensions

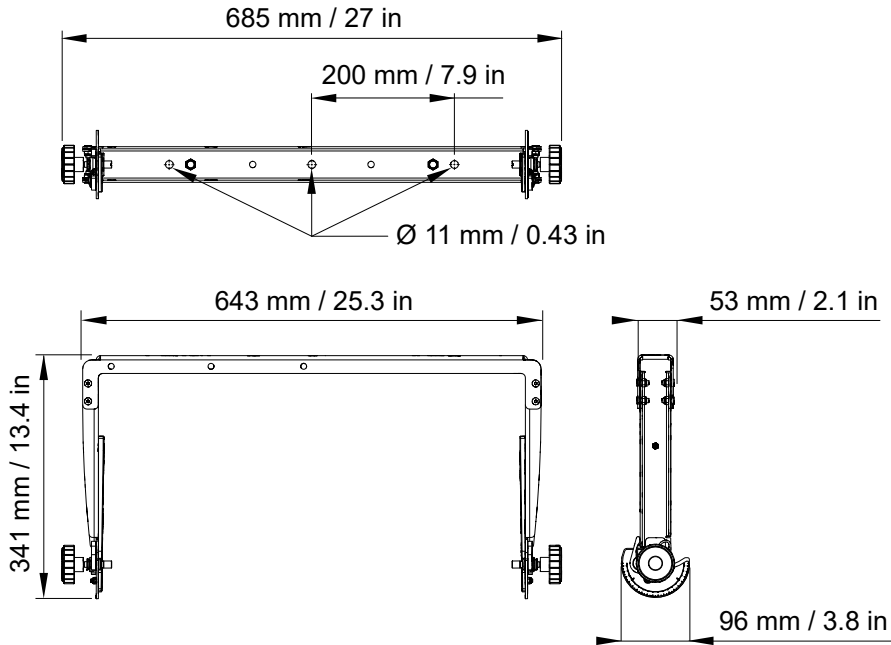


## X-UL15 specifications

---

<b>Description</b>	Long U-bracket for X15 HiQ
<b>Weight (net)</b>	2.9 kg / 6.4 lb
<b>Material</b>	high grade steel with anti-corrosion coating

### X-UL15 dimensions

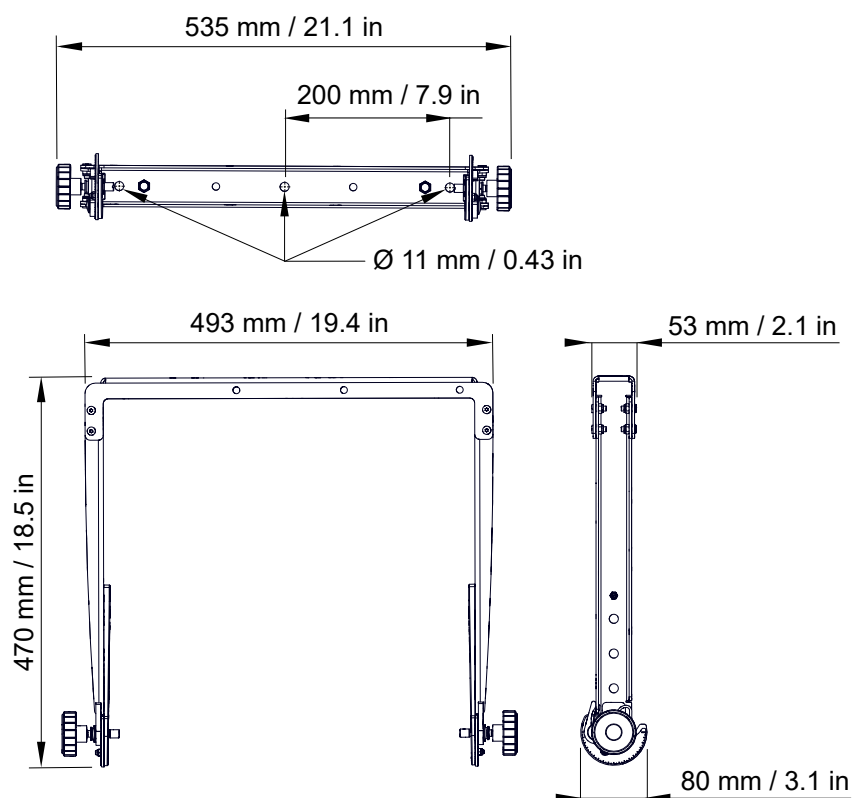


## X-US1215 specifications

---

<b>Description</b>	Short U-bracket for X12 and X15 HiQ
<b>Weight (net)</b>	3 kg / 6.6 lb
<b>Material</b>	high grade steel with anti-corrosion coating

### X-US1215 dimensions

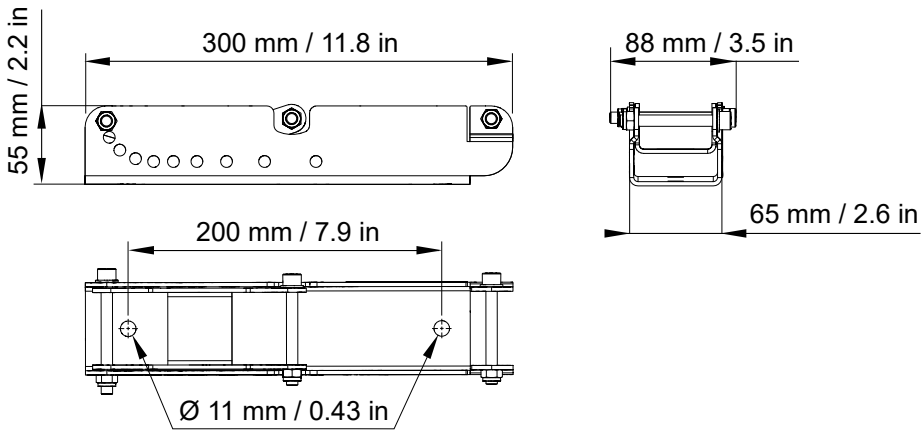


## X-UTILT specifications

---

<b>Description</b>	U-bracket wallmount for X series with tilt adjustment
<b>Weight (net)</b>	1.5 kg / 3.3 lb
<b>Material</b>	high grade steel with anti-corrosion coating

### X-UTILT dimensions

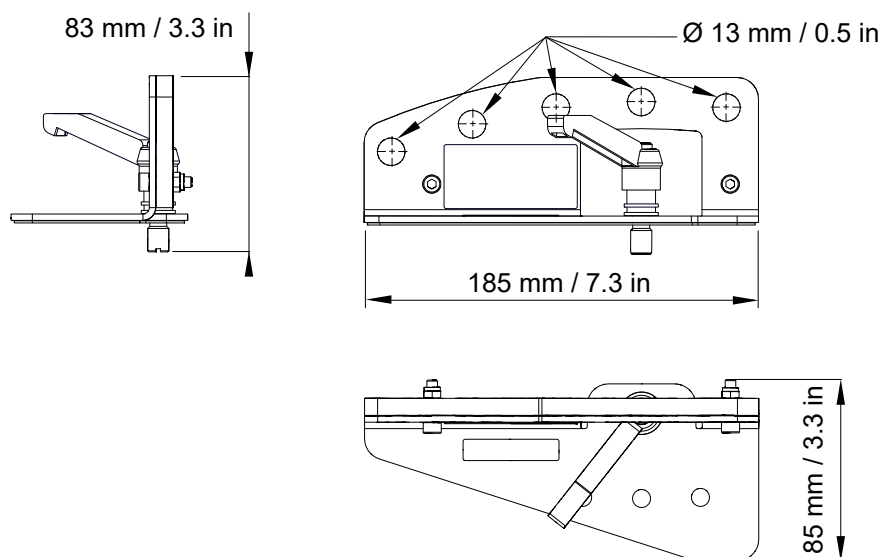


## X-BAR specifications

---

<b>Description</b>	Rigging bar for 1 enclosure 1 x Ø12 mm shackle WLL 1 t
<b>Weight (net)</b>	1.1 kg / 2.4 lb
<b>Material</b>	high grade steel with anti-corrosion coating

### X-BAR dimensions

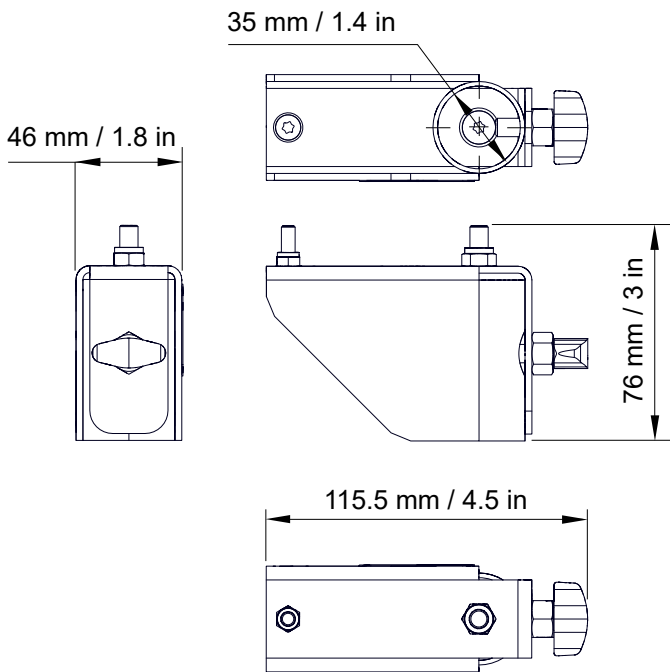


## EMBi specifications

---

<b>Description</b>	Pole mount socket: 8XTi/12XTi and X series
<b>Weight (net)</b>	0.5 kg / 1 lb
<b>Material</b>	high grade steel with anti-corrosion coating

### EMBi dimensions





## Recommendation for speaker cables

Follow the recommended maximum length for loudspeaker cables to ensure minimal SPL attenuation.



### Cable quality and resistance

Only use high-quality fully insulated speaker cables made of stranded copper wire.

Use cables with a gauge offering low resistance per unit length and keep the cables as short as possible.

The table below provides the recommended maximum length for loudspeaker cables depending on the cable gauge and on the impedance load connected to the amplifier.

cable gauge			recommended maximum length					
			8 $\Omega$ load		4 $\Omega$ load		2.7 $\Omega$ load	
mm <sup>2</sup>	SWG	AWG	m	ft	m	ft	m	ft
2.5	15	13	30	100	15	50	10	33
4	13	11	50	160	25	80	17	53
6	11	9	74	240	37	120	25	80

Use the more detailed L-Acoustics calculation tool to evaluate cable length and gauge based on the type and number of enclosures connected. The calculation tool is available on our website:

<https://www.l-acoustics.com/installation-tools/>



**L-Acoustics**

13 rue Levacher Cintrat - 91460 Marcoussis - France  
+33 1 69 63 69 63 - [info@l-acoustics.com](mailto:info@l-acoustics.com)  
[www.l-acoustics.com](http://www.l-acoustics.com)



 **L.ACOUSTICS**  
GROUP