



Type(s)
Project
Date
Notes

OVERVIEW

Fixture Overview

The SolaPix family of wash fixtures from High End Systems takes the traditional concept of a pixel wash and pushes it to its maximum potential. Whether you are using the fixture to spread color all over a ballroom, tradeshow floor, or concert stage, the bright and punchy output will envelop your production with beautiful saturated color. Additionally, when you need to add interest, the narrow zoom and fully macro- and pixel-controlled face gives you a wide variety of looks and effects to help set the mood and steal the show.

Applications

- Live concerts
- Tradeshows
- Festivals
- Industrial shows
- Award shows
- Studios
- Theatre
- Corporate events

Product Features

- Additive LED, RGBW, color mixing system for extremely powerful saturated colors and tunable white control
- Versatile 4.5°–60° zoom
- Extremely efficient optical system provides market-leading lumen output
- FleX Effects Generator for easily customizable macros
- Pixel mapping on all models
- Modular control with Art-Net, or sACN in addition to simultaneous DMX control
- Patent-Pending HaloGraphic Pixel Definition

ORDERING INFORMATION

SolaPix

Model	Description
2594A1000-B	SolaPix 7, black, packaged in molded insert
2594K1001	Roadcase for SolaPix 7 (fits up to six (6) SolaPix 7)
2595A1100-B	SolaPix 19, black, packaged in molded insert
2595K1001	Roadcase for SolaPix 19 (fits up to three (3) SolaPix 19)
2596A1200-B	SolaPix 37, black, packaged in molded insert
2596K1001	Roadcase for SolaPix 37 (fits up to two (2) SolaPix 37)

Note: Fixture includes two (2) Omega brackets and one (1) fixture power cord, bare ends to powerCON® TRUE1® input.

Accessories

Model	Description
2560B7004	Fixture power cord upgrade, L5-20 Edison to powerCON TRUE1, 20 A
2560B7005	Fixture power cord upgrade, Stage Pin to powerCON TRUE1, 20 A
2560B7006	Fixture power cord upgrade, L6-20 to powerCON TRUE1, 20 A
2560B7007	Fixture power cord upgrade, L5-20 to powerCON TRUE1, 20 A
67040007	Mega-Claw™
55040014	Cheeseborough 2" Alloy 1/2 Coupler Truss Clamp
67040010	Mini-Claw™



PRODUCT SPECIFICATIONS

Source

Fixture Type	SolaPix 7	SolaPix 19	SolaPix 37
LED Quantity	7	19	37
Max. Field Lumens	5,500	14,500	29,000
Integrating Sphere Lumens	5,600	15,200	30,500
LPW	20	20	20
LED Type	40 W Osram Ostar LED		
LED Life	50,000 Hours / 5 year warranty		

Color

Color Mixing	Red, Green, Blue, and White
Color Temperature Range	Variable from 2800–8000 K

Optical

Beam Angle	4.5°–60°
Flicker Control/Hz Range	2.4 kHz, 16 kHz

Control

Input Method	DMX (5-pin) or Ethernet
Protocols	DMX via RS-485 Art-Net, or sACN via Ethernet
RDM Functions	Yes
UI Type	Full color graphical UI with 6 button navigational control
Local Control	Yes
Effects Engine	Built in effects engine with multi parameter color and speed control
Pixel Mapping	Individual addressing via DMX, Art-Net, or sACN
Dimming Performance	16-Bit, DMX controlled

Electrical

Fixture Type	SolaPix 7	SolaPix 19	SolaPix 37
Max Wattage	410 W @ 100 V	1000 W @ 100 V	1815 W @ 120 V
Max Current	4.1 A @ 100 V	10.0 A @ 100 V	15.2 A @ 120 V
Voltage Range	100–240 V 50–60 Hz		120–240V 50–60Hz
Input Method	powerCON TRUE1		
Additional Details	See pages 6-8 for additional power information		

Thermal

Ambient Operating Temp	0°–40° C (32°–104° F)
Fan Mode	Standard, Studio, User fan control channel

Physical

Fixture Type	SolaPix 7	SolaPix 19	SolaPix 37
Pan and Tilt Range	540° Pan 255° Tilt	540° Pan 255° Tilt	540° Pan 258° Tilt
Max Pan/Tilt Speed	Pan - 360° in 1.2 s Tilt - 180° in 0.66 s	Pan - 360° in 1.6 s Tilt - 180° in 0.91 s	Pan - 360° in 2.5 s Tilt - 180° in 1.72 s
Weight	9.1 kg (20 lb)	15.8 kg (35 lb)	23.6 kg (52 lb)
Materials	Steel and aluminum frame with molded plastic covers		
Color Options	Black, white by request		
Mounting Options	Any orientation		
IP Rating	IP-20		
Included Accessories	powerCON TRUE1 to bare end fixture tail Two (2) clamp brackets Safety cable		

Warranty

Fixture Warranty	Five (5) years for light engine Two (2) year for complete fixture
Warranty Details	etcconnect.com/support/warranty.aspx

Regulatory & Compliance

Regulatory Standards	Listed to UL 1573 Certified to CSA STD. C22.2 No: 166 EAC
CE Compliance Declared to the Following Standards	Safety: EN 60598-1, EN 60598-2-17, EN 62031, EN 62471 EMC: EN 55015, EN 61547, EN 61000-3-2, EN 61000-3-3
Complies to the ROHS Directive	Yes

Safety

Safety	Minimum distance to illuminated surface = 2.0 m Minimum distance from fixture head to combustible materials = 0.1 m
--------	--

Note: All LED sources experience some lessening of light output and some color shift over time. LED output will vary with thermal conditions. Thermal conditions can be affected by ambient temperatures and orientation.

PHOTOMETRIC DATA

SolaPix 7 - All on, Standard Mode

	Degree	Candela	Field Lumens	Power Usage	Lumens Per Watt
Narrow Beam	4.5°	400,700	2,954	280 W	9
Narrow Wash	14°	116,300	3,953	280 W	12
Medium Wash	26°	50,200	4,555	280 W	14
Wide Wash	60°	13,200	5,496	280 W	17

Narrow Beam - 4.5°

	10 ft 3.0 m	20 ft 6.1 m	30 ft 9.1 m	50 ft 15.2 m	200 ft 61 m
Throw Distance	10 ft 3.0 m	20 ft 6.1 m	30 ft 9.1 m	50 ft 15.2 m	200 ft 61 m
Field Diameter	0.8 ft 0.24 m	1.6 ft 0.48 m	2.4 ft 0.72 m	3.9 ft 1.20 m	15.7 ft 4.80 m
Illuminance (fc)	4,007	1,002	446	161	11
Illuminance (lux)	43,105	10,776	4,789	1,724	108

Narrow Wash - 14°

	10 ft 3.0 m	20 ft 6.1 m	30 ft 9.1 m	50 ft 15.2 m	200 ft 61 m
Throw Distance	10 ft 3.0 m	20 ft 6.1 m	30 ft 9.1 m	50 ft 15.2 m	200 ft 61 m
Field Diameter	2.5 ft 0.8 m	4.9 ft 1.5 m	7.4 ft 2.3 m	12.3 ft 3.8 m	49.1 ft 15 m
Illuminance (fc)	1,163	291	130	47	3
Illuminance (lux)	12,512	3,128	1,390	500	31

Medium Wash - 26°

	10 ft 3.0 m	20 ft 6.1 m	30 ft 9.1 m	50 ft 15.2 m	200 ft 61 m
Throw Distance	10 ft 3.0 m	20 ft 6.1 m	30 ft 9.1 m	50 ft 15.2 m	200 ft 61 m
Field Diameter	4.6 ft 1.4 m	9.2 ft 2.8 m	13.9 ft 4.2 m	23.1 ft 7.0 m	92.3 ft 28.2 m
Illuminance (fc)	502	126	56	21	2
Illuminance (lux)	5,394	1,348	599	216	13

Wide Wash - 60°

	10 ft 3.0 m	20 ft 6.1 m	30 ft 9.1 m	50 ft 15.2 m	200 ft 61 m
Throw Distance	10 ft 3.0 m	20 ft 6.1 m	30 ft 9.1 m	50 ft 15.2 m	200 ft 61 m
Field Diameter	11.5 ft 3.52 m	23.1 ft 7.04 m	34.6 ft 10.56 m	57.7 ft 17.60 m	230.9 ft 70.40 m
Illuminance (fc)	132	33	15	6	1
Illuminance (lux)	1,419	355	158	57	4

To determine center beam illumination in footcandles at any throw distance, divide candela by the throw distance squared.

Metric conversions: For meters, multiply feet by 0.3048.
For lux, multiply footcandles by 10.76.

SolaPix 19 - All on, Standard Mode

	Degree	Candela	Field Lumens	Power Usage	Lumens Per Watt
Narrow Beam	4.5°	1,087,400	8,017	570 W	11
Narrow Wash	14°	315,700	10,730	570 W	15
Medium Wash	26°	136,100	12,362	570 W	17
Wide Wash	60°	35,800	14,917	570 W	20

Narrow Beam - 4.5°

	10 ft 3.0 m	20 ft 6.1 m	30 ft 9.1 m	50 ft 15.2 m	200 ft 61 m
Throw Distance	10 ft 3.0 m	20 ft 6.1 m	30 ft 9.1 m	50 ft 15.2 m	200 ft 61 m
Field Diameter	0.8 ft 0.24 m	1.6 ft 0.48 m	2.4 ft 0.72 m	3.9 ft 1.20 m	15.7 ft 4.80 m
Illuminance (fc)	10,874	2,719	1,209	435	28
Illuminance (lux)	117,000	29,250	13,000	4,680	293

Narrow Wash - 14°

	10 ft 3.0 m	20 ft 6.1 m	30 ft 9.1 m	50 ft 15.2 m	200 ft 61 m
Throw Distance	10 ft 3.0 m	20 ft 6.1 m	30 ft 9.1 m	50 ft 15.2 m	200 ft 61 m
Field Diameter	2.5 ft 0.8 m	4.9 ft 1.5 m	7.4 ft 2.3 m	12.3 ft 3.8 m	49.1 ft 15 m
Illuminance (fc)	3,157	790	351	127	8
Illuminance (lux)	33,960	8,490	3,773	1,358	85

Medium Wash - 26°

	10 ft 3.0 m	20 ft 6.1 m	30 ft 9.1 m	50 ft 15.2 m	200 ft 61 m
Throw Distance	10 ft 3.0 m	20 ft 6.1 m	30 ft 9.1 m	50 ft 15.2 m	200 ft 61 m
Field Diameter	4.6 ft 1.4 m	9.2 ft 2.8 m	13.9 ft 4.2 m	23.1 ft 7.0 m	92.3 ft 28.2 m
Illuminance (fc)	1,361	341	152	55	4
Illuminance (lux)	14,640	3,660	1,627	586	10

Wide Wash - 60°

	10 ft 3.0 m	20 ft 6.1 m	30 ft 9.1 m	50 ft 15.2 m	200 ft 61 m
Throw Distance	10 ft 3.0 m	20 ft 6.1 m	30 ft 9.1 m	50 ft 15.2 m	200 ft 61 m
Field Diameter	11.5 ft 3.52 m	23.1 ft 7.04 m	34.6 ft 10.56 m	57.7 ft 17.60 m	230.9 ft 70.40 m
Illuminance (fc)	358	90	40	15	1
Illuminance (lux)	3,852	963	428	154	4

PHOTOMETRIC DATA

SolaPix 37 - All on, Standard Mode

	Degree	Candela	Field Lumens	Power Usage	Lumens Per Watt
Narrow Beam	4.5°	2,117,500	15,612	1480 W	11
Narrow Wash	14°	614,700	20,896	1480 W	15
Medium Wash	26°	265,000	24,074	1480 W	17
Wide Wash	60°	69,800	29,049	1480 W	20

Narrow Beam - 4.5°

Throw Distance	10 ft 3.0 m	20 ft 6.1 m	30 ft 9.1 m	50 ft 15.2 m	200 ft 61 m
Field Diameter	0.8 ft 0.24 m	1.6 ft 0.48 m	2.4 ft 0.72 m	3.9 ft 1.20 m	15.7 ft 4.80 m
Illuminance (fc)	21,175	5,294	2,353	847	53
Illuminance (lux)	227,842	56,961	25,316	9,114	570

Narrow Wash - 14°

Throw Distance	10 ft 3.0 m	20 ft 6.1 m	30 ft 9.1 m	50 ft 15.2 m	200 ft 61 m
Field Diameter	2.5 ft 0.8 m	4.9 ft 1.5 m	7.4 ft 2.3 m	12.3 ft 3.8 m	49.1 ft 15 m
Illuminance (fc)	6,147	1,537	683	246	16
Illuminance (lux)	66,133	16,533	7,348	2,645	165

Medium Wash - 26°

Throw Distance	10 ft 3.0 m	20 ft 6.1 m	30 ft 9.1 m	50 ft 15.2 m	200 ft 61 m
Field Diameter	4.6 ft 1.4 m	9.2 ft 2.8 m	13.9 ft 4.2 m	23.1 ft 7.0 m	92.3 ft 28.2 m
Illuminance (fc)	2,650	663	295	106	7
Illuminance (lux)	28,509	7,127	3,168	1,140	71

Wide Wash - 60°

Throw Distance	10 ft 3.0 m	20 ft 6.1 m	30 ft 9.1 m	50 ft 15.2 m	200 ft 61 m
Field Diameter	11.5 ft 3.52 m	23.1 ft 7.04 m	34.6 ft 10.56 m	57.7 ft 17.60 m	230.9 ft 70.40 m
Illuminance (fc)	698	175	78	28	2
Illuminance (lux)	7,501	1,875	833	300	19

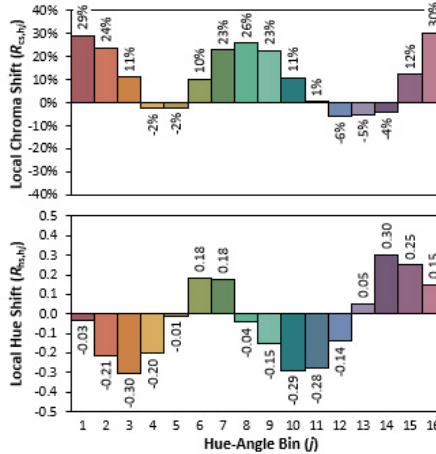
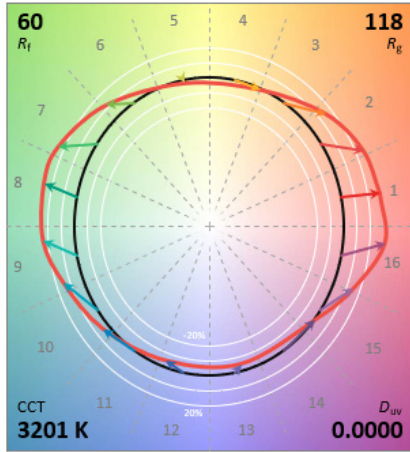
To determine center beam illumination in footcandles at any throw distance, divide candela by the throw distance squared.

Metric conversions: For meters, multiply feet by 0.3048.
For lux, multiply footcandles by 10.76.

COLOR METRIC DATA

SolaPix tuned to 3200 K

ANSI IES TM-30-18 Color Rendition Report



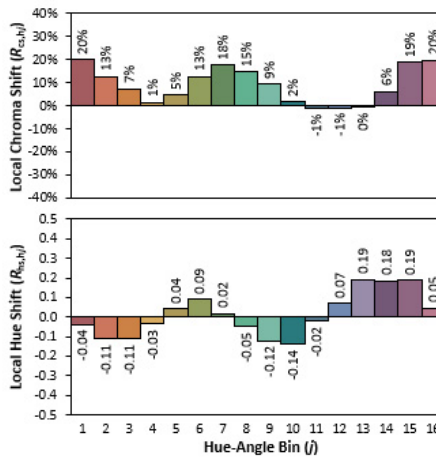
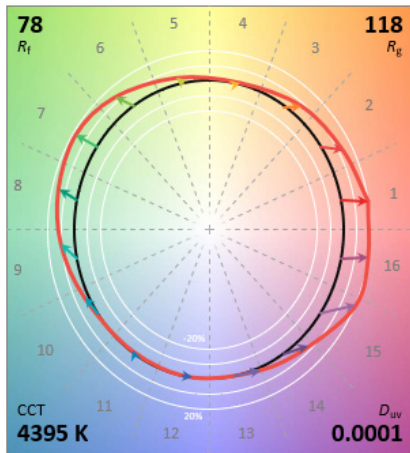
Colors are for visual orientation purposes only. Created with the ANSI/IES TM-30-18 Calculator Version 2.00.

Additional Color Metrics

CRI Ra (R9)	76
TLCI	66

SolaPix tuned to 4400 K

ANSI IES TM-30-18 Color Rendition Report



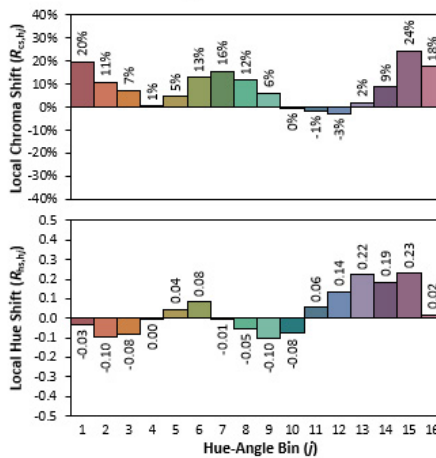
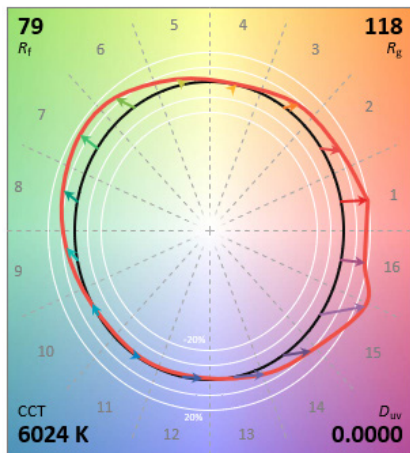
Colors are for visual orientation purposes only. Created with the ANSI/IES TM-30-18 Calculator Version 2.00.

Additional Color Metrics

CRI Ra (R9)	58
TLCI	39

SolaPix tuned to 6000 K

ANSI IES TM-30-18 Color Rendition Report



Colors are for visual orientation purposes only. Created with the ANSI/IES TM-30-18 Calculator Version 2.00.

Additional Color Metrics

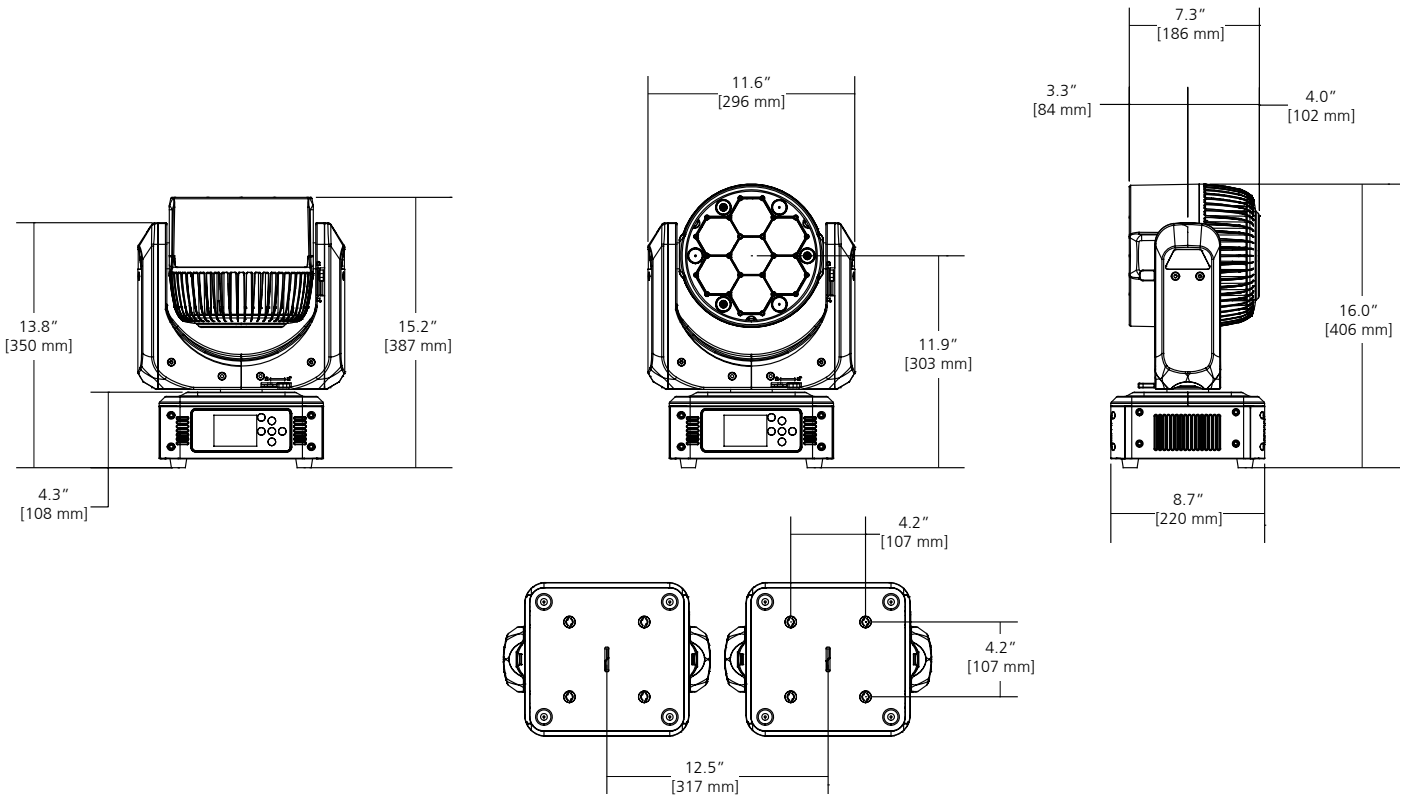
CRI Ra (R9)	78
TLCI	74

PHYSICAL INFORMATION

SolaPix 7 Dimension Table

Model	Height	Width	Depth	Weight
SolaPix 7	16.0 in	11.6 in	8.7 in	20.2 lb
	406 mm	296 mm	220 mm	9.1 kg
SolaPix 7 in molded insert with box (shipping dimensions)	22 in	15 in	11 in	33 lb
	559 mm	381 mm	280 mm	15 kg
Six (6) SolaPix 7 in molded insert with road case (shipping dimensions)	38 in	48 in	24 in	307 lb
	966 mm	1220 mm	610 mm	139.3 kg

SolaPix 7 Drawing



Power Table

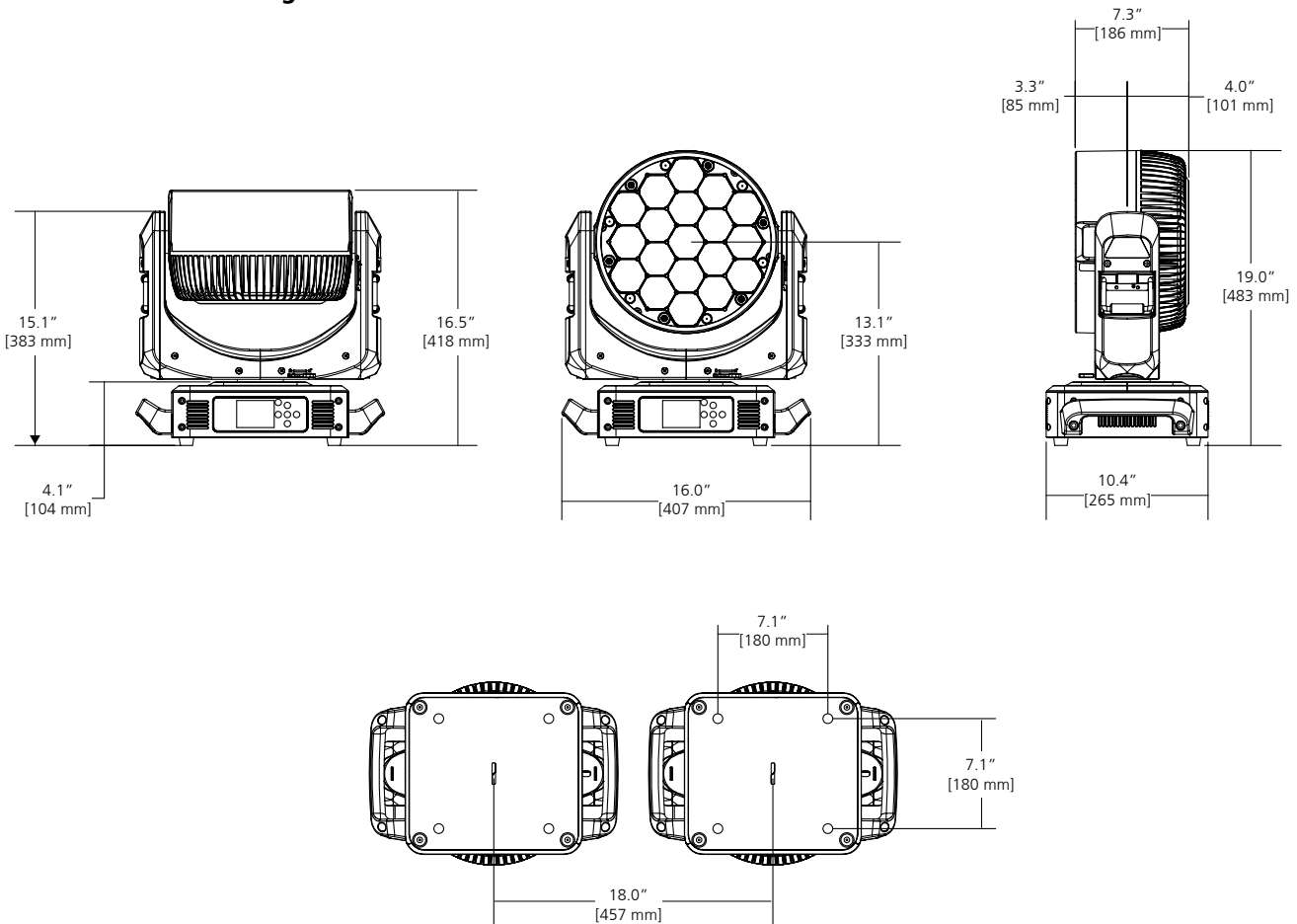
VAC	Amps	Hz	Watts	VA	PF
100	4.1	50	408	411	0.99
120	3.4	60	400	405	0.99
200	2.0	50	388	399	0.97
208	2.0	60	388	410	0.96
220	1.8	50	385	400	0.96
230	1.7	50	385	401	0.96
240	1.7	60	382	406	0.94

PHYSICAL INFORMATION

SolaPix 19 Dimension Table

Model	Height	Width	Depth	Weight
SolaPix 19	19 in	16 in	10.4 in	35 lb
	483 mm	407 mm	265 mm	15.8 kg
SolaPix 19 in molded insert with box (shipping dimensions)	25 in	22 in	16 in	59 lb
	635 mm	559 mm	407	26.8 kg
Three (3) SolaPix 19 in molded insert with road case (shipping dimensions)	38 in	48 in	24 in	296 lb
	966 mm	1220 mm	610 mm	134.3 kg

SolaPix 19 Drawing



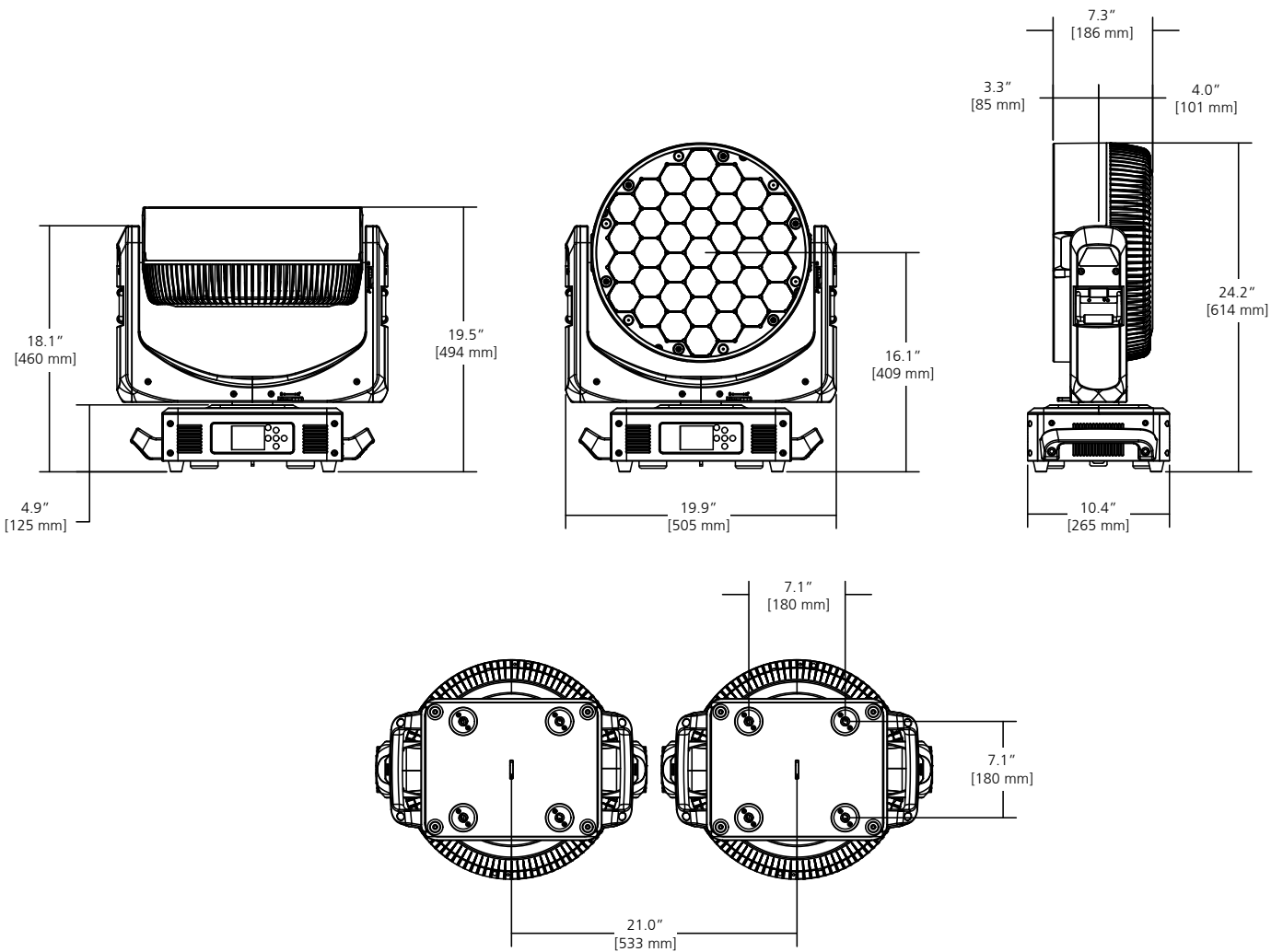
Power Table

VAC	Amps	Hz	Watts	VA	PF
100	10.0	50	996	1001	0.99
120	8.1	60	930	965	0.99
200	4.7	50	910	934	0.97
208	4.5	60	928	930	0.97
220	4.3	50	907	938	0.96
240	3.9	60	896	928	0.96

PHYSICAL INFORMATION

SolaPix 37 Dimension Table

Model	Height	Width	Depth	Weight
SolaPix 37	24.2 in	19.9 in	10.4 in	52.9 lb
	614 mm	505 mm	265 mm	24 kg
SolaPix 37 in molded insert with box (shipping dimensions)	27.6 in	24.5 in	21.3 in	88.2 lb
	700 mm	570 mm	540 mm	40 kg
Two (2) SolaPix 37 in molded insert with road case (shipping dimensions)	38 in	48 in	24 in	295.4 lb
	966 mm	1220 mm	610 mm	134 kg



Power Table

VAC	Amps	Hz	Watts	VA	PF
120	15.2	60	1815	1822	0.99
200	8.6	50	1710	1723	0.99
208	8.3	60	1716	1730	0.99
220	7.8	50	1704	1721	0.98
240	7.2	60	1704	1726	0.98

ADDITIONAL ORDERING INFORMATION

SolaPix 7 Accessories

Model #	Description
H7180023	SolaPix 7 Omega Bracket
2594A1020	SolaPix 7 Hex Snoot
2594A1021	SolaPix 7 Hex Snoot with Diffusion
H7000012	Galvanized Safety Cable with Spring Snap

SolaPix 19 Accessories

Model #	Description
H7150008	SolaPix 19 Omega Bracket
2595A1020	SolaPix 19 Hex Snoot
2595A1021	SolaPix 19 Hex Snoot with Diffusion
H7000012	Galvanized Safety Cable with Spring Snap

SolaPix 37 Accessories

Model #	Description
H7150008	SolaPix 37 Omega Bracket
2596A1020	SolaPix 37 Hex Snoot
2596A1021	SolaPix 37 Hex Snoot with Diffusion
H7000012	Galvanized Safety Cable with Spring Snap

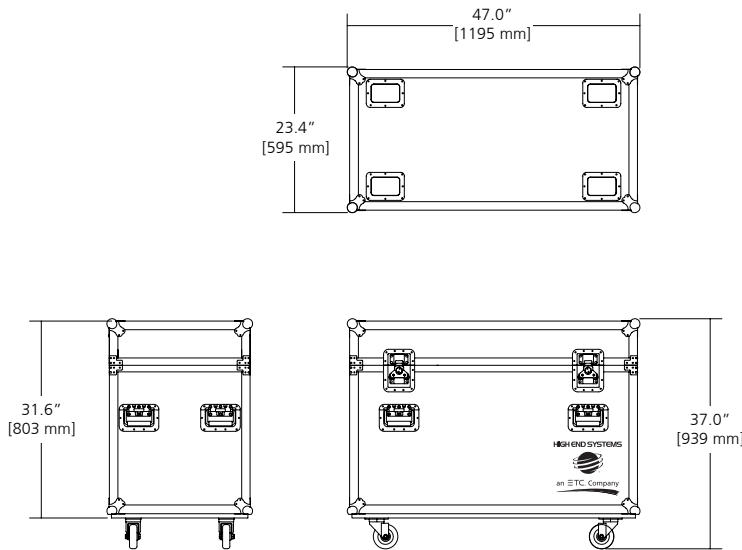


ADDITIONAL ORDERING INFORMATION

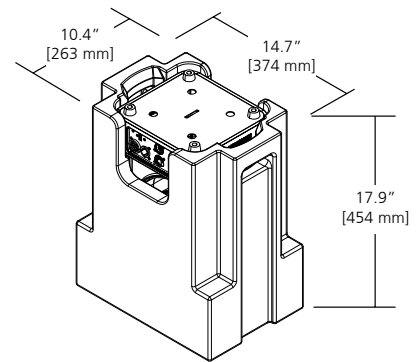
Road Case Accessories

Model #	Description
i02	Spacer for empty road case, Half
i03	Spacer for empty road case, Third
i04	Spacer for empty road case, Quarter
i06	Spacer for empty road case, Sixth

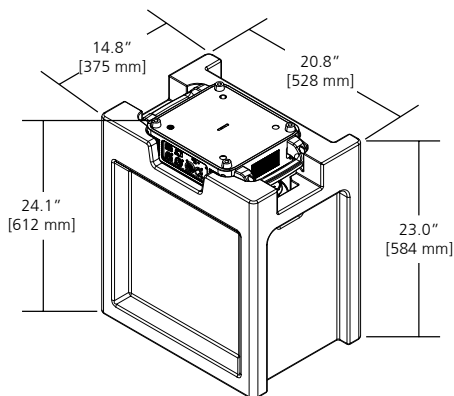
SolaPix Road Case



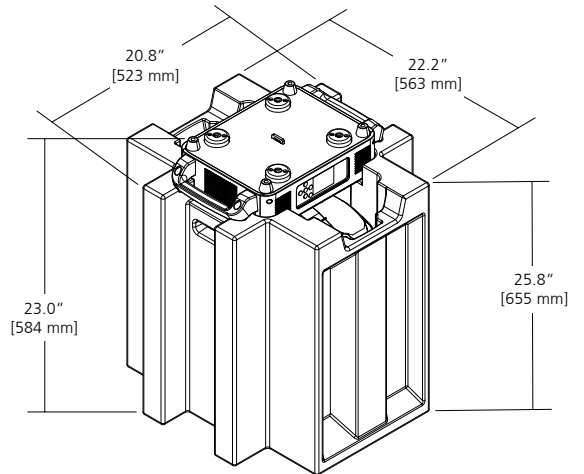
SolaPix 7 Molded Insert



SolaPix 19 Molded Insert



SolaPix 37 Molded Insert



Corporate Headquarters • Middleton, WI USA
 Global Offices • London, UK • Rome, IT • Holzkirchen, DE • Paris, FR • Hong Kong
 Dubai, UAE • Singapore • New York, NY • Orlando, FL • Los Angeles, CA • Austin, TX
 Copyright©2021 ETC. All Rights Reserved. All product information and specifications subject to change. Rev G 2021-10
 *Trademark and patent info: etconnect.com/IE

etconnect.com