



EclNanoPanel TWC

Compact-sized soft light, with wireless control (CRMX and W-DMX) and battery-powered



USER MANUAL

Thank you for choosing PROLIGHTS

Please note that every PROLIGHTS product has been designed in Italy to meet quality and performance requirements for professionals and designed and manufactured for the use and application as shown in this document.

Any other use, if not expressly indicated, could compromise the good condition/operation of the product and/or be a source of danger.

This product is meant for professional use. Therefore, commercial use of this equipment is subject to the respectively applicable national accident prevention rules and regulations.

Features, specifications and appearance are subject to change without notice. Music & Lights S.r.l. and all affiliated companies disclaim liability for any injury, damage, direct or indirect loss, consequential or economic loss or any other loss occasioned by the use of, inability to use or reliance on the information contained in this document.

Product user manual can be downloaded from the website www.prolights.it, or can be inquired to the official PROLIGHTS distributors of your territory (https://www.prolights.it/sales_network.html).

Scanning the below **QR Code**, you will access the download area of the product page, where you can find a broad set of always updated technical documentation: specifications, user manual, technical drawings, photometrics, personalities, fixture firmware updates.



Visit the download area
of the product page



The PROLIGHTS Logo, PROLIGHTS names and all other trademark in this document pertaining to PROLIGHTS services or PROLIGHTS product are trademarks OWNED or licensed by Music & Lights S.r.l., its affiliates, and subsidiaries. PROLIGHTS is a registered trademark by Music & Lights S.r.l. All right reserved. Music & Lights – Via A. Olivetti, snc - 04026 - Minturno (LT) ITALY.

INDEX

SAFETY INFORMATION	02
1 - PACKAGING	06
ECLNANOPANELTWC PACKAGE CONTENT.....	06
ECLNPTWCPACK PACKAGE CONTENT.....	06
OPTIONAL ACCESSORIES.....	06
2 - TECHNICAL DRAWING	07
3 - INSTALLATION	08
MOUNTING.....	08
4 - CONNECTION TO THE MAINS SUPPLY	09
6 - PRODUCT OVERVIEW	10
7 - DMX CONNECTION	11
CONNECTION OF THE CONTROL SIGNAL: DMX LINE.....	11
INSTRUCTIONS FOR A RELIABLE DMX CONNECTION.....	11
CONNECTION DAISY CHAIN.....	11
CONNECTION OF THE DMX LINE.....	11
CONSTRUCTION OF THE DMX TERMINATION.....	12
DMX ADDRESSING.....	12
OPERATION AS A WIRELESS TRANSMITTER.....	12
Unlinking the transmitter.....	13
DMX TO WDMX (TX).....	13
OPERATION AS A WIRELESS RECEIVER.....	13
Reset the receiver.....	13
WDMX TO DMX (RX).....	13
8 - CONTROL PANEL	14
DISPLAY AND BUTTONS LAYOUT.....	14
ROTATORY KNOB LAYOUT.....	14
9 - MENU STRUCTURE	15
10 - RDM FUNCTIONS	20
11 - SHORTCUTS	22
12 - ERRORS	22
13 - DMX CHARTS	23
FIXTURE DMX CHARTS.....	24
PIXEL ENGINE DMX CHARTS.....	25
CHANNEL DEFINITION: FIXTURE DMX CHARTS.....	26
CHANNEL DEFINITION: PIXEL ENGINE DMX CHARTS.....	40
LEGACY MODEs.....	41
14 - ACCESSORIES INSTALLATION	65
FRONT INTENSIFIED / HIGH / MEDIUM / LOW DIFFUSION FRAME (CODE ENPTWCFILTERINT / ENPTWCFILTERHD / ENPTWCFILTERMD / ENPTWCFILTERINTLD - OPTIONAL).....	65
REAR METAL PLATE (CODE ENPTWCRMP - OPTIONAL).....	66
BARN DOOR (CODE ENPTWCBDD - OPTIONAL).....	67
FIXING SYSTEM (CODE ENPTWCAS - OPTIONAL).....	68
SPIGOT ADAPTER (CODE ENPTWCAS - OPTIONAL).....	69
ARTICULATED JOINT (CODE ENPTWCPAJ - OPTIONAL).....	70
FIXING SYSTEM WITH MAGNET (CODES ENPTWCMAG AND ENPTWCMAGADP - OPTIONAL).....	71
M10 TO M5 ADAPTER (CODE EST100MAGADP - OPTIONAL).....	72
TRIPOD (CODE EST100FY - OPTIONAL).....	73
15 - MAINTENANCE	74
MAINTENANCE AND CLEANING THE PRODUCT.....	74
REPLACING THE FUSE.....	74
VISUAL CHECK OF PRODUCT HOUSING.....	74
TROUBLESHOOTING.....	75

SAFETY INFORMATION



WARNING!

- Please read carefully the instruction reported in this section before installing, powering, operating or servicing the product and observe the indications also for its future handling.



This unit is not for household and residential use, only professional applications.



Connection to mains supply

- The Connection to the mains supply must be carried out by a qualified electrical installer.
- Use only AC supplies 100-240V 50-60 Hz, the fixture must be electrically connected to ground (earth).
- Select the cable cross section in according with the maximum current draw of the product and the possible number of products connected at the same power line.
- The AC mains power distribution circuit must be equipped with magnetic+residual current circuit breaker protection.
- Do not connect it to a dimmer system; doing so may damage the product.



Protection and Warning against electrical shock

- Do not remove any cover from the product, always disconnect the product from AC power before servicing.
- Ensure that the fixture is electrically connected to ground (earth). And use only a source of AC power that complies with local building and electrical codes and has both overload and ground-fault (earth-fault) protection.
- Before using the fixture, check that all power distribution equipment and cables are in perfect condition and rated for the current requirements of all connected devices.
- Isolate the fixture from power immediately if the power plug or any seal, cover, cable, or other components are damaged, defective, deformed or showing signs of overheating.
- Do not reapply power until repairs have been completed.
- Refer any service operation not described in this manual to PROLIGHTS Service team or an authorized PROLIGHTS service center.



Li-ion

LI-ION Battery

A rechargeable lithium ion battery is installed into the product. Misusing the battery may cause the battery to get hot, rupture, or ignite, and cause serious injury. Make sure to follow the safety informations listed below:

- Only authorized technicians may service the battery.
- Do not expose to fire or heat.
- Do not use or re-charge the product if it is damaged.
- Avoid bumping or plunging, it may cause fire or explosion.
- Never store the battery when fully drained.
- Store the product in a airy, dry place, and away from any inflammable object in order to ensure optimum storage conditions for the battery.
- Always recharge immediately when the battery is low.
- Make sure to fully charge all units before storing them.
- Partially charged batteries will lose capacity.
- Fully recharge every 6 months if not used.
- Do not recharge the product longer than required, it will affect the battery capacity;
- Only charge the battery mounted in the fixture with the built-in charger. Do not use a third party charger.
- Do not charge unattended.
- The battery is typically rated to last for 300 full discharge cycles when operated properly and according to the instructions here contained. Its runtime will decrease to 70% by then.
- The battery may only be replaced with an original spare part from PROLIGHTS.
- Follow applicable laws and regulations for transport, shipping, and disposal of batteries. For details on recycling lithium lithium phosphate, and lithium-ion batteries, please contact a government recycling agency or your waste-disposal service.
- Always charge with its packing/flight-case open.
- It is recommended to charge at a temperature between 15°C and 35°C.



Installation

- Make sure that all visible parts of the product are in good visible condition before its use or installation.
- Make sure the point of anchorage is stable before positioning the projector.
- When suspending the fixture above ground level, secure it against failure of primary attachments by attaching a safety cable that is approved as a safety attachment for the weight of the fixture to the attachment point on the main frame of the product. In case the safety cable, enter in action, it needs to be replaced with a new one.
- Install the product only in well ventilated places.
- For non temporary installations, ensure that the fixture is securely fastened to a load-bearing surface with suitable corrosionresistant hardware.
- For a temporary installation with clamps, ensure that the quarter-turn fastener and/or screws are turned fully, and secured with a suitable safety cable.



Minimum distance of illuminated objects

- The projector needs to be positioned so that the objects hit by the beam of light are at least 0.5 meters (1.64 ft) from the lens of the projector.

T_a 45°C

Max operating ambient temperature (T_a)

- Do not operate the fixture if the ambient temperature (T_a) exceeds 45 °C (113 °F).

T_a -10°C

Minimum operating ambient temperature (T_a)

- Do not operate the fixture if the ambient temperature (T_a) is below -10 °C (14 °F).



Protection from burns and fire

- The exterior of the fixture becomes hot during use. Avoid contact by persons and materials.
- Ensure that there is free and unobstructed airflow around the fixture.
- Keep flammable materials well away from the fixture
- Do not expose the front glass to sunlight or any other strong light source from any angle. Lenses can focus the sun's rays inside the fixture, creating a potential fire hazard.
- Do not attempt to bypass thermostatic switches or fuses.



Indoor use

- This product is designed for indoor and dry environments.
- Do not use in wet location and do not expose the fixture to rain or moisture.
- Never use the fixture in places subject to vibrations or bumps.
- Make certain that no inflammable liquids, water or metal objects enter the fixture.
- Excessive dust, smoke fluid, and particle build up degrades performance, causes overheating and will damage the fixture.
- Damages caused by inadequate cleaning or maintenance are not covered by the product warranty.

T_c 70°C

Temperature of the external surface

- The surface of the fixture can reach up to 70 °C (158 °F) during operation. Avoid contact with people and materials.



Maintenance

- Warning! Disconnect the fixture from AC mains power and allow to cool for at least 10 minutes before handling.
- Only technicians who are authorized by PROLIGHTS or Authorised service partners are permitted to open the fixture.
- Users may carry out external cleaning, following the warnings and instructions provided, but any service operation not described in this manual must be referred to a qualified service technician.
- Important! Excessive dust, smoke fluid, and particle build up degrades performance, causes overheating and will damage the fixture. Damages caused by inadequate cleaning or maintenance is not covered by the product warranty.



Photobiological safety

- This device emits potentially dangerous optical radiation and is identified in the category of Risk Group 1 according to EN 62471.



Do not stare at the operating light source

- Do not look directly at the LED source during operation. It can be harmful to the eyes and skin.
- During Installation, operation and maintenance, be prepared for the fixture to light and move suddenly when connected to power.



Disposal

- This product is supplied in compliance with European Directive 2012/19/EU – Waste Electrical and Electronic Equipment (WEEE). To preserve the environment please dispose/ recycle this product at the end of its life according to the local regulation.



The product contains a lithium ion battery

- Don't throw the unit into the garbage at the end of its lifetime.
- Make sure to dispose according to your local ordinances and/or regulations, to avoid polluting the environment!
- The packaging is recyclable and can be disposed.



The products to which this manual refers comply with:

- 2014/35/EU - Safety of electrical equipment supplied at low voltage (LVD).
- 2014/30/EU - Electromagnetic Compatibility (EMC).
- 2011/65/EU - Restriction of the use of certain hazardous substances (RoHS).
- 2014/53/EU - Radio Equipment Directive (RED).



The products to which this manual refers comply with:

- UL 1573 + CSA C22.2 No. 166 - Stage and Studio Luminaires and Connector Strips.
- UL 1012 + CSA C22.2 No. 107.1 - Standard for power units other than class 2.



FCC Compliance:

- This device complies with Part 15 of the FCC Rules. Operation is subject to the following two conditions:
 1. This device may not cause harmful interference, and
 2. This device must accept any interference received, including interference that may cause undesired operation.



Other approvals

- The product meets the safety requirements of the certification procedures of the market in which it is placed and sold.



1 - PACKAGING

ECLNANOPANELTWC PACKAGE CONTENT

- 1x ECLNANOPANELTWC
- 1x ENPTWCCHARGER: battery charger
- User Manual

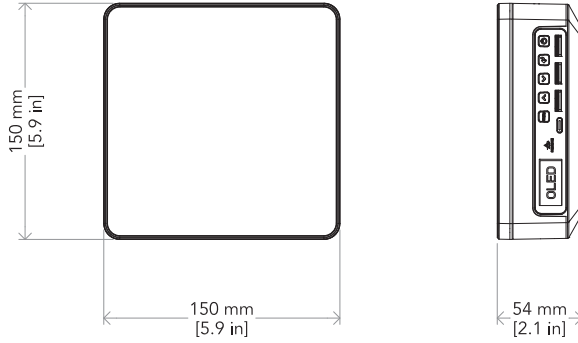
ECLNPTWCPACK PACKAGE CONTENT

- 1x ABS case
- 4x ECLNANOPANELTWC (includes: ENPTWCFILTERLD on-board)
- 1x 4-way charger
- 4x position articulated joint (ENPTWCPAJ)
- 4x barndoors (ENPTWCBD)
- 4x Y Cable from XLR 5P male, XLR 5P female and USB-C female to USB-C male (ENPTWCYCABLE)
- 1 x User Manual

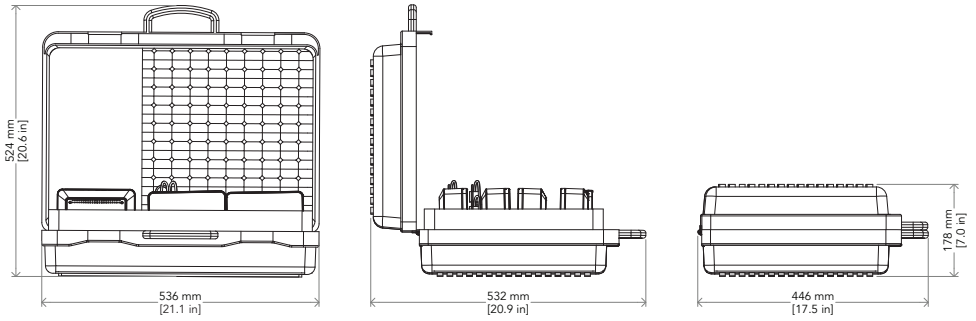
OPTIONAL ACCESSORIES

- WSBBR512G6: blackBox R-512 G6 receiver 512Ch, 2.45GHz,DMX&RDM,Bluetooth,G3,G4,G4S,G5,CRMX.
- WSBBR512G5: blackBox R-512 G5 receiver 512Ch, 2.45GHz & 5.8GHz, DMX/RDM optional.
- WSBBF1G6: blackBox F-1 G6 transrec, 512ch, 2.45GHz, DMX&RDM,Bluetooth,G3,G4,G4S, G5, CRMX.
- WSBBF1G5: blackBox F-1 G5 transmitter, 2,45GHz & 5.2/5,8 GHz, DMX/RDM, 512Ch.
- 9333FXWL03: ass. 3x2.5mm TH07 cable, SHUKO plug, SETSAC3FX socket.
- RSR0630A/B: steel security cable for hanging bodies, inox steel shackle, L=60 cm, silver/black.
- C6002: slim aluminium clamp, 200 kg loading, 48-51 mm tubes, M10 bolt.
- C6042: aluminum clamp for 28mm spigot + 16mm pin, 300kg + 40kg load, 48-51mm tubes.
- ENPTWCBD: barn door with 4 directional flaps to adjust the light beam.
- ENPTWCAS: fixing system with suction cup for ECLNANOPANELTWC.
- ENPTWCFILTERINT: front intensified diffusion filter for ECLNANOPANELTWC.
- ENPTWCFILTERHD: front high diffusion filter (less output) for ECLNANOPANELTWC.
- ENPTWCFILTERMD: front medium diffusion filter for ECLNANOPANELTWC.
- ENPTWCFILTERLD: front low diffusion filter (more output) for ECLNANOPANELTWC.
- ENPTWCRMP: rear metal plate for ECLNANOPANELTWC.
- ENPTWCSA: spigot adapter for ECLNANOPANELTWC.
- ENPTWCPAJ: position articulated joint for ECLNANOPANELTWC.
- ENPTWC MAG: fixing system with magnet for ECLNANOPANELTWC and ECLSOFTTUBE100.
- EST100MAGADP: M10 to M5 adapter to use ENPTWC MAG with ECLNANOPANELTWC and ECLSOFTTUBE100.
- ENPTWC MAGADP: M10 to 1/4" adapter to use ENPTWC MAG with ECLNANOPANELTWC
- EST100FY: Tripod for ECLSOFTTUBE100.
- ENPTWCYCABLE: Y Cable from USB-C male to XLR 5P male, XLR 5P female and USB-C female.
- PRL-IRC: RGBWA IR controller, 29 buttons, manual/static colours, auto programs, fade.
- UPBOX1UP5: firmware uploader kit, USB IN, 5pin XLR DMX OUT, USB OUT.

2 - TECHNICAL DRAWING



Weight: 1,2 kg / 2,64 lbs



Weight: 17 kg / 37,48 lbs

Fig. 01

3 - INSTALLATION

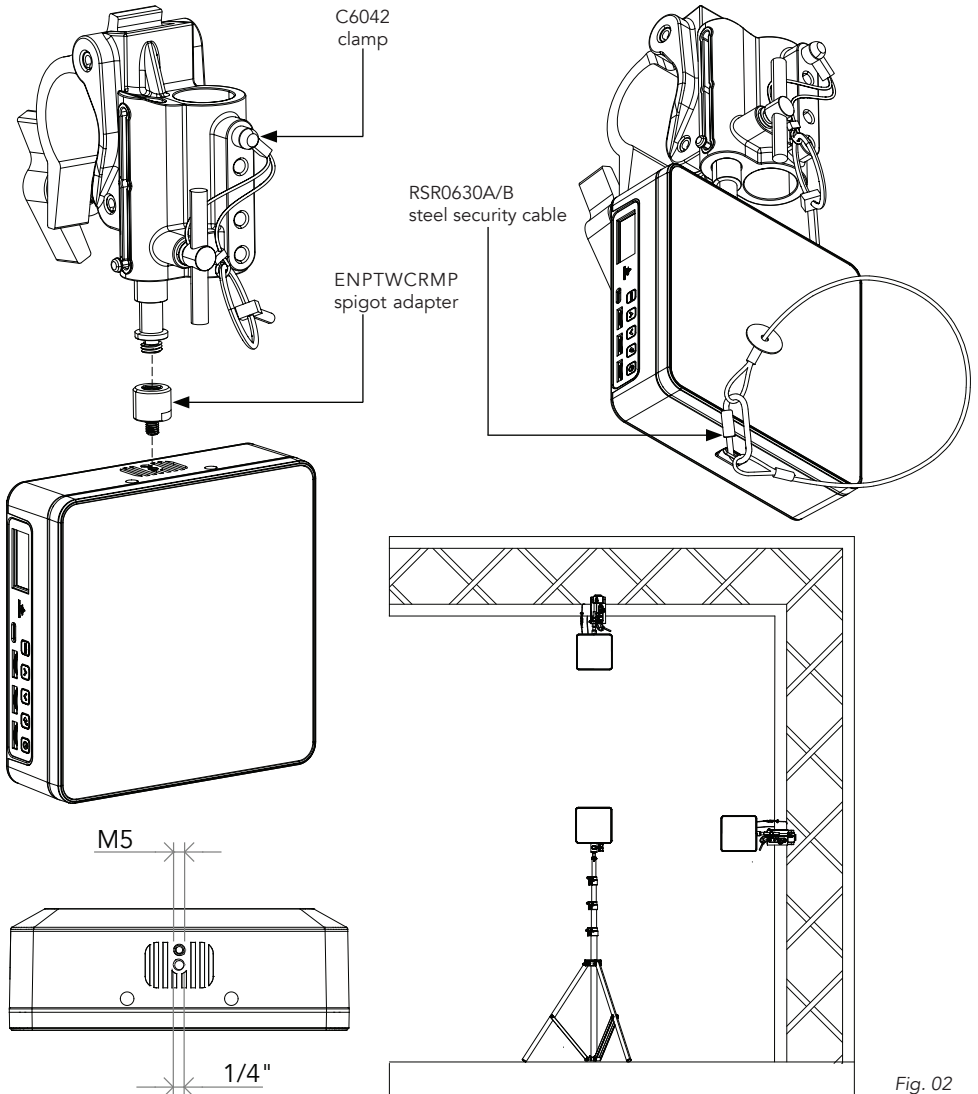
MOUNTING

Check that the supporting structure can safely bear the weight of all installed fixtures, clamps, cables, auxiliary equipment, etc. and complies with locally applicable regulations.

When suspending the fixture above ground level, secure it against failure of primary attachments by attaching a safety wire that is approved as a safety attachment for the weight of the fixture to an anchor point on the product main frame.

Do not use removable parts or weak anchors for secondary attachment.

Warning! When clamping the fixture to a truss or other structure at any angle, use clamps of half-coupler type. Do not use any type of clamp that does not completely encircle the structure when fastened.



4 - CONNECTION TO THE MAINS SUPPLY

The unit needs a power supply (ENPTWCCHARGER) because it is powered at DC 15V max 2A. The re-charge time is 2,5h max.

It is possible to decide that once the unit is connected to the external power supply whether to recharge the battery or not.

As the light is charging, the on-screen battery level indicator will animate to show the battery's status.

After the battery is fully charged, the battery level indicator, will be displayed as full.

Charging is slow when the light is powered on. Turn the light off for optimal charging.

The on-screen battery indicator will flash when the battery level/ is too low.

The max power consumption is 32 W.

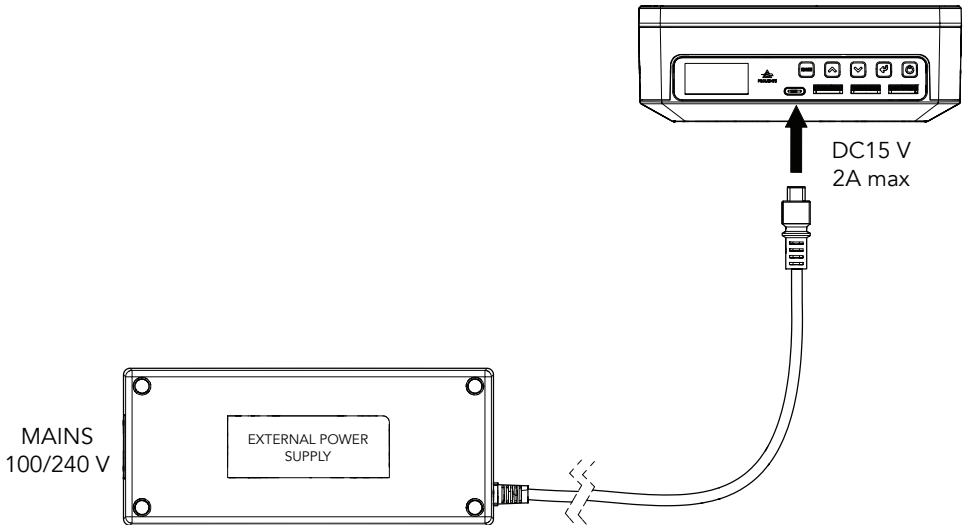


Fig. 03

6 - PRODUCT OVERVIEW

1. SAFETY EYE to attach safety cable.
2. USER INTERFACE with display and buttons for access to the control panel functions.
3. USB Type C Charging Port and for connecting to DMX input and output.
4. Holes for barndoor accessory.
5. 1/4" and M5 holes for accessory.
6. Holes for metal plate accessory.

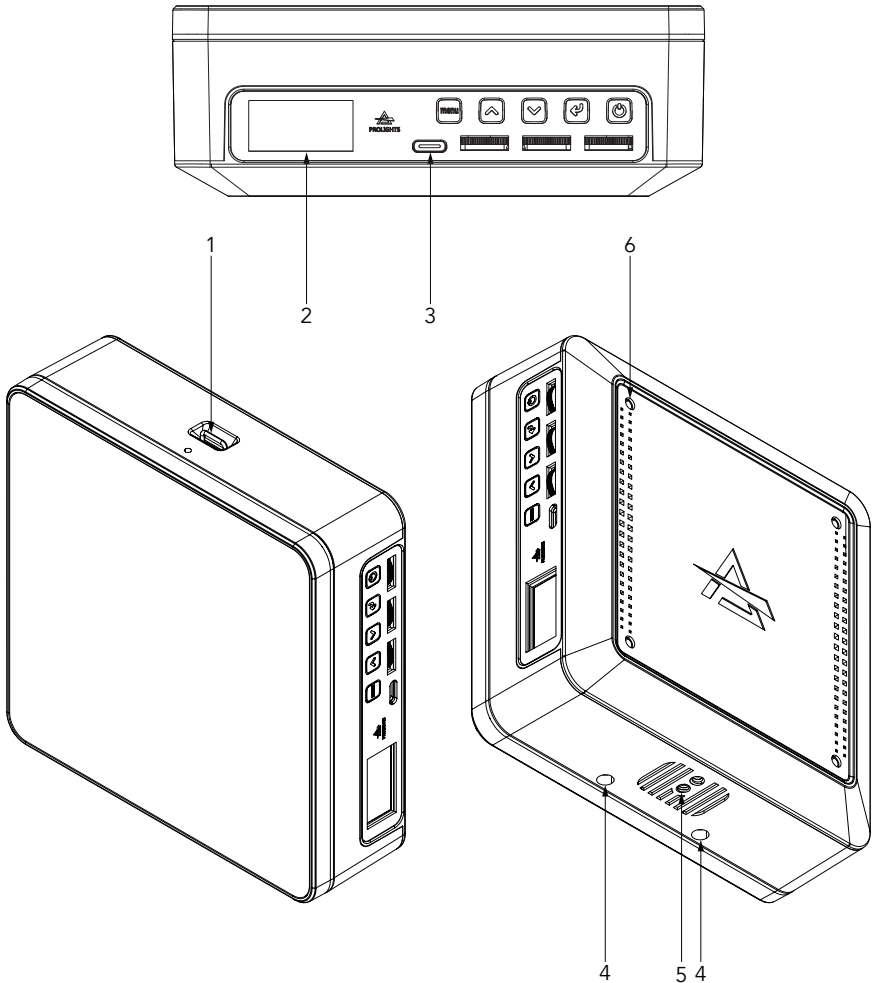


Fig. 04

7 - DMX CONNECTION

CONNECTION OF THE CONTROL SIGNAL: DMX LINE

The product needs ENPTWCYCABLE optional cable for connecting to DMX input and output. The default pin-out on both connectors is as the following diagram:

DMX - INPUT XLR plug



- Pin1 : GND - Shield
- Pin2 : - Signal
- Pin3 : + Signal
- Pin4 : N/C
- Pin5 : N/C

DMX - OUTPUT XLR socket

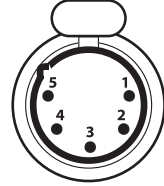


Fig. 05

INSTRUCTIONS FOR A RELIABLE DMX CONNECTION

Use shielded twisted-pair cable designed for RS-485 devices: standard microphone cable cannot transmit control data reliably over long runs. 24 AWG cable is suitable for runs up to 300 meters (1000 ft). Heavier gauge cable and/or an amplifier is recommended for longer runs. To split the data link into branches, use splitter-amplifiers in the connection line. Do not overload the link. Up to 32 devices may be connected on a serial link.

CONNECTION DAISY CHAIN

Connect the DMX data output from the DMX source to the product DMX input (male connector XLR) socket. Run the data link from the product XLR output (female connector XLR) socket to the DMX input of the next fixture. Terminate the data link by connecting a 120 Ohm signal termination. If a splitter is used, terminate each branch of the link. Install a DMX termination plug on the last fixture on the link.

CONNECTION OF THE DMX LINE

DMX connection employs standard XLR connectors. Use shielded pair-twisted cables with 120Ω impedance and low capacity. The following diagram shows the connection mode:

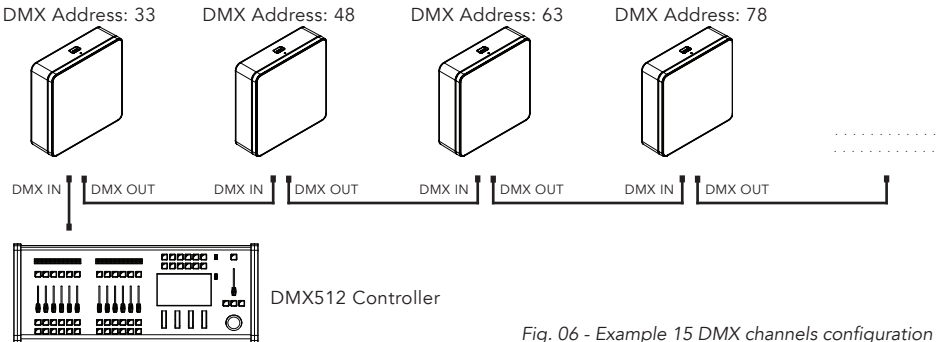


Fig. 06 - Example 15 DMX channels configuration

CONSTRUCTION OF THE DMX TERMINATION

The termination is prepared by soldering a 120Ω 1/4 W resistor between pins 2 and 3 of the male XLR connector, as shown in figure.

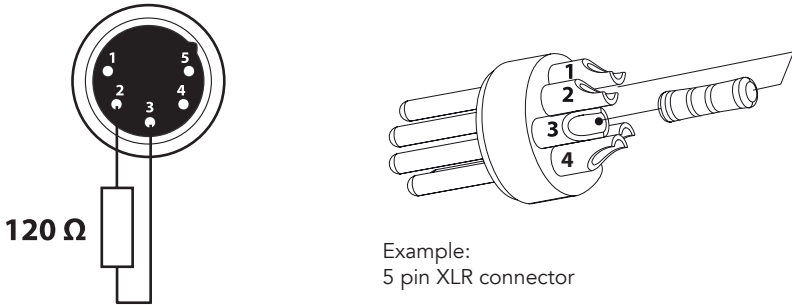


Fig. 06

DMX ADDRESSING

In order to start controlling the product via DMX, the first step is to select a DMX address, also known as the start channel, this is the first channel used to receive instructions from a DMX controller. If you wish to control the product individually, it is necessary to assign a different starting address channel to each fixture.

The number of channels occupied from the product depends on the DMX mode selected, so always verify the DMX Mode in the MENU before start addressing.

If you assign two fixtures the same address, they will be executing the same behaviour. Selecting the same address to multiple fixtures can be useful for diagnostic purposes and symmetrical control.

DMX addressing is limited to make it impossible to set the DMX address so high that you are left without enough control channels for the product.

To set the fixture's DMX address:

1. Press MENU to open the main menu.
2. Reach the addressing menu, then select the DMX ADDRESS settings.
3. Select the address from 1 to 512 using the navigation arrows/buttons and confirm by pressing ENTER.
4. Press Menu to exit and return to the Home screen.

The product DMX address, as well as other possible user settings through the MENU, can also be set when the product is disconnected from the Main through the internal battery-backup. All that is needed is to press and hold the button ENTER to momentarily enable the display and enter in the settings. Once the required operations have been executed, the display will switch off again after few seconds of being inactive.

OPERATION AS A WIRELESS TRANSMITTER

ECLNANOPANELTWC can be used as wireless transmitter for transmit at different wireless receivers DMX signal. To use ECLNANOPANELTWC as wireless transmitter, please follow the procedure below:

1. Push MENU button until you show CONNECT on display, then press ENTER button to confirm.
2. Use UP/DOWN buttons for select Wireless, then press ENTER to confirm.
3. Push ENTER button on WDMX ON/OFF function and enable it to ON.
4. Select WDMX mode and set it on Transmitter (please note that WDMX mode will be available only if WDMX ON/OFF is set to ON).
5. Ensure that the receiver units are not connected to any other transmitter. Please refer to "Reset the receiver" paragraph.
6. Enable TX LINK to ON to link transmitter to receivers (please note that TX LINK will be available only if WDMX mode is set to Transmitter).

- The transmitter scans for all unlinked receivers for a period of about 5 seconds.
- If the connection fails, check the position of the receiver.
- The wireless icon on the receiver display indicates the received signal strength.

Unlinking the transmitter

Follow the procedure below to unlink the transmitter from all receivers connected with the unit.

1. Push MENU button until you show CONNECT on display, then press ENTER button to confirm.
 2. Use UP/DOWN buttons for select Wireless, then press ENTER to confirm.
 3. Enable TX UNLINK to ON 8 (please note that TX UNLINK will be available only if WDMX mode is set to Transmitter).
- All connected receivers will be unlinked.

DMX TO WDMX (TX)

This function enable or disable the transmission through wireless of the DMX signal from the transmitter side to the receiver.

OPERATION AS A WIRELESS RECEIVER

ECLNANOPANELTWC can be used as wireless receiver connected to a wireless transmitter.

To use ECLNANOPANELTWC as wireless receiver, please follow the procedure below:

1. Push MENU button until you show CONNECT on display, then press ENTER button to confirm.
2. Use UP/DOWN buttons for select Wireless, then press ENTER to confirm.
3. Push ENTER button on WDMX ON/OFF function and enable it to ON.
4. Select WDMX mode and set it on Receiver (please note that WDMX mode will be available only if WDMX ON/OFF is set to ON).
5. Enable RX RESET to ON to reset the receiver (please note that RX RESET will be available only if WDMX mode is set to Receiver).
6. On the transmitter, enable TX LINK to ON to link transmitter to the receivers.
7. If the connection is successful and DMX input is available the display on the receiver unit will show the DMX address. If DMX signal is not available, the display will show "No signal" but keeps the transmitter linked.
8. If the connection fails, check the position of the receiver.
9. The wireless icon on the receiver display indicates the received signal strength.

Reset the receiver

Follow the procedure below to reset the receiver.

1. Push MENU button until you show CONNECT on display, then press ENTER button to confirm.
 2. Use UP/DOWN buttons for select Wireless, then press ENTER to confirm.
 3. Enable RX RESET to ON.
- The wireless icon on the receiver display indicates the received signal strength.

WDMX TO DMX (RX)

This function enable or disable the retransmission of the wireless DMX signal received through the DMX port on the receiver side.

8 - CONTROL PANEL






The product has a display and buttons for access to the control panel functions.



Fig. 08

DISPLAY AND BUTTONS LAYOUT

The product has a display and buttons for access to the control panel functions.

- 1  • Used to access the menu tree or to return a previous menu window.
- 2  • Browse upwards through the menu list and increases the numeric value displayed.
- 3  • Browse downwards through the menu list and decreases the numeric value displayed.
- 4  • Used to confirm the current menu or confirm the current function value or option within a menu
- 5  • Used to turn the unit on or off.

ROTATORY KNOB LAYOUT

The product is equipped with rotatory knobs for manual control of the product, those are enabled only in Stand Alone mode and they enable access to control certain attributes according to the selected STAND ALONE mode as indicated below.

MODE	ROTARY KNOB 1	ROTARY KNOB 2	ROTARY KNOB 3
EFFECTS	Dimmer (0 ÷ 255)	Effect	Speed (1 ÷ 100)
CCT	Dimmer (0 ÷ 255)	+/- Green (-25/+25)	Control temperature (CCT): 2800K ÷ 10000K
HSI	Dimmer (0 ÷ 255)	Colors (0 ÷ 255)	Saturation (SAT): 0 ÷ 255

9 - MENU STRUCTURE

The following chart describes the MENU tree of the product, the terms shown in **BOLD** indicates the default settings.

MENU							
1	CONNECT	DMX ADDRESS	FIXTURE	001-512	Choose DMX Address		
			ADDRESS	FOLLOW FIXTURE			
				001-512			
		DMX MODE	Refer to DMX Chart section				
		WIRELESS	WDMX ON/OFF	ON OFF	Enable/Disable the wireless card.		
			WDMX mode	TRANSMITTER	Allows to choose whether to set the wireless on the Transmitter or Receiver. WDMX mode is unlocked only if WDMX ON / OFF is ON. When Transmitter Mode is selected, Standalone automatically transmit signal if setted in Master DMX / Master No DMX.		
		RECEIVER					
		TX link	ON OFF	TX link unlock when the unit is set as a transmitter.			
		TX unlink	ON OFF	Disconnect the transmitter from all receivers. TX unlink unlocks only if WDMX mode is on transmitter.			
		RX reset	ON OFF	Total reset of the receiver. RX reset unlocks only if WDMX mode is receiver.			
		DMX to WDMX (TX)	ON OFF	Enable/Disable the transmission of the dmx from the transmitter to the receiver via wdmx.			
		WDMX to DMX (RX)	ON	Enable/Disable the retransmission of the DMX from the receiver to the other units connected by cable to the receiver itself.			
			OFF				
	2	SETUP	SCREEN	BACKLIGHT	ON	Allows you to select the timing after that display will switch automatically off when unactive.	
					10 s		
20 s 30 s							
				FLIP DISPLAY	ON	Allows you to rotate the display by 180°.	
					OFF		
				KEY LOCK	ON	Allows you lock the buttons on the control panel by a password. Press following combinations (password) in order to access to the user menu : UP, DOWN, UP, DOWN, ENTER,	
					OFF		
				DISPLAY VALUE	RAW DATA PERCENTAGE	Choose how to show datas on Stand Alone Modes. In percentage mode values will be shown as 0-100%. In Raw Data mode values will be shown as 0-255.	
				TEMPERATURE UNIT	°C °F	Allows you to choose Temperature unit showed in home screen.	
				USER SETTINGS	PRESET 1 TO 5	RECALL	User settings allows to store up to 5 different configuration preset. One preset can also be set as Default, recalled in the factory reload menu.
						SAVE	
						MOVE	
	SET AS DEFAULT						
	TRANSFER CONFIGURATION	WITHOUT DMX ADDRESS		To transfer the same menu settings of one fixtures to all the other in the daisy chain, including or not the dmx address. Transfer configuration also works via WDMX.			
		WITH DMX ADDRESS					

3	ADVANCED	CALIBRATION	ON		Enable/Disable Spektra calibration.
			OFF		
		DIMMER CURVE	LINEAR		Select Dimmer curve.
			S-CURVE		
			SQUARE LAW		
			INVERSE SQUARE LAW		
			HIGH RES@ LOW		
		DIMMER SPEED	AUTO		Select Dimmer speed.
			FAST		
			MEDIUM		
			SLOW		
		LED FREQUENCY	600Hz	12 kHz	Select LED PWM frequency.
			1200Hz	15 kHz	
			2000Hz	20 kHz	
			4000Hz	25 kHz	
			6000Hz	36 kHz	
			10 kHz	40 kHz	
		RUN TIME	2H		Select Run Time of the fixture. 2H: Max power available 30W 6H: Max power available 12W 8H: Max power available 9W 12H: Max power available 6W 18H: Max power available 4W Run Time is calculated using fixture RGBW @ Full with Calibration on.
			6H		
			8H		
			12H		
			18H		
		IR SETUP	ON		Enable/Disable IR Remote control.
			OFF		
		DMX FAULT	HOLD		Define the behaviour of fixture in case of DMX signal lost.
			BLACKOUT		
STAND ALONE					
EMERGENCY					
AC FAULT	NO ACTION		Define the behaviour of fixture in case of AC/DC signal lost. AC Fault has priority over DMX Fault.		
	BLACKOUT				
	EMERGENCY				
	OFF				
AC MODE	NO ACTION		Define the behaviour of fixture in case of AC/DC signal presence. AC Mode has priority over DMX Fault.		
	BLACKOUT				
BATTERY RECHARGE	AUTO		AUTO: Fixture will charge immediately in case of no signal at startup. Fixture will charge after 10mins of signal present with dimmer @ 0. Fixture will run over DC Power while signal present without charging battery. DISABLE: Recharge disabled, fixture will run over DC Power without charging battery. ENABLE: Recharge forced, fixture will go blackout and start charging battery immediately.		
	DISABLE				
	ENABLE				
TUNGSTEN EMULATION	ON		Enable/Disable Tungsten emulation.		
	OFF				
INVERT MAPPING	ON		Rotate Pixel mapper layout.		
	OFF				
FACTORY RELOAD	STANDARD	ON	Reset the unit to factory default settings.		
		OFF			
	USER PRESET	ON	Reset the unit to user preset settings.		
		OFF			

4	INFORMATION	DEVICE TIME	FIXTURE HOURS	<99999H>		To view information about the unit.
			CURRENT HOURS	<99999H>		
			SOURCE HOURS	<99999H>		
			AC POWER ON CYCLE	<xxx>		
			MAINTENANCE TIME	ELAPSED TIME		
				ALERT PERIOD		
		POWER CONSUMPTION	W			
		TEMPERATURE				
		BATTERY CYCLE	300			
		BATTERY STATE	100%			
		BATTERY LIFE	hh:mm			
		WIRELESS QUALITY				
		CHANNEL VALUE				
		ERROR MESSAGE				
		FIXTURE MODEL				
DEVICE LABEL						
SOFTWARE VERSION	<V1.0>					
RDM UID	15D00228****					
5	STAND ALONE	MASTER/SLAVE	MASTER		Allow you to link and operating in synk multiple units without a DMX console. Choose a unit to perform as the Master. This unit must be the first unit in line; Set the successive units to be slave.	
			MASTER NO DMX			
			SLAVE			
		EFFECTS	Party Effect	Saturation		
				Speed		
			Candle	CCT Range		
				Speed		
			Clouds Passing	Offset		
				Speed		
			Club Lights	Color Variety		
				Speed		
			Color Chase	Offset		
				Speed		
				Saturation		
			Cop Car	Color Combinations		
				Flash Pattern		
				Speed		
			Fire	CCT Range		
				Speed		
			Fireworks	Color Combinations		
				Speed		
			Strobe	Speed		
				CCT		
				Green Magenta Point		
				Crossfade to Color		
				Hue		
			Lightning	Saturation		
				Frequency		
				Speed		
				CCT		
				Green Magenta Point		

		Paparazzi	Frequency	
			Flash Type	
			CCT	
			Green Magenta Point	
		Pulsing	Frequency	
			Pulse Duration	
			CCT	
			Green Magenta Point	
			Crossfade to Color	
			Hue	
		Television	CCT Range	
			Speed	
		Explosion	Decay	
			CCT	
			Green Magenta Point	
			Crossfade to Color	
			Hue	
		Fluorescent Flicker	Speed	
			Frequency	
			CCT	
			Green Magenta Point	
			Crossfade to Color	
			Hue	
		Process Effect	Speed	
			Direction	
			CCT	
			Green Magenta Point	
			Crossfade to Color	
			Hue	
		Welding	Speed	
			Min Intensity Level	
			CCT	
			Green Magenta Point	
			Crossfade to Color	
			Hue	
		SOURCE EMULATION	INCANDESCENT (INCD)	
Incandescent (INCD)				
Halogen (HALO)				
Antique Bulb (OLDB)				
Warm Antique Bulb (WOLDB)				
Christmas Lights (XMAS)				
Night Light (NIGHT)				
Infrared Heat Lamp (IRHEAT)				
Grow light (GROW)				
FLUORESCENT (FLUO)	CFL Soft White (CFLSW)			
	CFL Bright White (CFLBW)			
	CFL Cool White (CFLCW)			
	CFL Daylight (CFLDY)			
	Cool White 1 (CW1)			
	Cool White 2 (CW2)			
	Cool White 3 (CW3)			
	Warm White (WW)			
	CFL Blacklight (CFLBCK)			

		DISCHARGE (DISC)	HMI (HMI)	
			High Pressure Sodium (HPSOD)	
			Low Pressure Sodium (LPSOD)	
			Mercury Vapor (MERC)	
			Metal Halide (MTLHLD)	
			Ceramic (CERAMI)	
			Carbon Arc (C-ARC)	
			Xenon (XENO)	
		OTHER (OTH)	Candle (CANDLE)	
			Gas Fire (GASFR)	
			Sun Direct (SUNDIR)	
			Sun Overcast (SUNCAST)	
			Sun Blue Hour (BLUEH)	
			Mobile Phone (PHONE)	
			Computer Monitor (PC)	
			Electroluminescence (ELECTRO)	
			Blow Torch (BLOWTOR)	
			Road Flare (ROADFLR)	
			Amber Caution (CAUTION)	
			Green Traffic Light (GTL)	
			Yellow Traffic Light (YTL)	
			Red Traffic Light (RTL)	
			Blue Glow Stick (BGS)	
			Green Glow Stick (GGS)	
			Red Glow Stick (RGS)	
			Yellow Glow Stick (YGS)	
			Pink Glow Stick (PGS)	
			Violet Glow Stick (VGS)	
CCT		Dimmer, CCT, Tint		
HSI		Hue, Saturation, Intensity		
FIXED COLORS		Dimmer, FIXED, CTO		
WHITE PRESETS		Dimmer, WHITE PRESETS, HUE		
COLOR MACRO		LEE	Color Correction Color Filters 600 Series Cosmetic 700 Series*	
		COLOR	Correction CColor SSelection Lux	
MANUAL COLORS		Dimmer, R, G, B, W		
XY		Dimmer, X coords, Y coords		

10 - RDM FUNCTIONS

The product can communicate using RDM (Remote Device Management) protocol over a DMX512 Networks.

RDM is a bi-directional communications protocol for use in DMX512 control systems, it is the open standard for DMX512 device configuration and status monitoring.

The RDM protocol allows data packets to be inserted into a DMX512 data stream without affecting existing non-RDM equipment. It allows a console or dedicated RDM controller to send commands to and receive messages from specific fixtures.

The PIDs in the following tables are supported in the product.

RDM Model ID: 0xD096

CATEGORY	PARAMETER	PID	GET	SET
Product Information	DEVICE_INFO	0x0060	x	
	PRODUCT_DETAIL_ID_LIST	0x0070	x	
	DEVICE_MODEL_DESCRIPTION	0x0080	x	
	MANUFACTURER_LABEL	0x0081	x	
	DEVICE_LABEL	0x0082	x	x
	FACTORY_DEFAULTS	0x0090	x	x
	SOFTWARE_VERSION_LABEL	0x00C0	x	
	BOOT_SOFTWARE_VERSION_ID	0x00C1	x	
	BOOT_SOFTWARE_VERSION_LABEL	0x00C2	x	
DMX512 Setup	DMX_PERSONALITY	0x00E0	x	x
	DMX_PERSONALITY_DESCRIPTION	0x00E1	x	
	DMX_START_ADDRESS	0x00F0	x	x
	SLOT_INFO	0x0120	x	
	SLOT_DESCRIPTION	0x0121	x	
	DEFAULT_SLOT_VALUE	0x0122	x	
	DMX_BLOCK_ADDRESS	0x0140	x	x
	DMX_FAIL_MODE	0x0141	x	x
	DMX_STARTUP_MODE	0x0142	x	x
Dimmer Settings	DIMMER_INFO	0x0340	x	
	MINIMUM_LEVEL	0x0341	x	x
	MAXIMUM_LEVEL	0x0342	x	x
	CURVE	0x0343	x	x
	CURVE_DESCRIPTION	0x0344	x	x
	OUTPUT_RESPONSE_TIME	0x0345	x	x
	OUTPUT_RESPONSE_TIME_DESCRIPTION	0x0346	x	
	MODULATION_FREQUENCY	0x0347	x	x
	MODULATION_FREQUENCY_DESCRIPTION	0x0348	x	
Sensors	SENSOR_DEFINITION	0x0200	x	
	SENSOR_VALUE	0x0201	x	x
	RECORD_SENSORS	0x0202		x
	BURN_IN	0x0440	x	x

Power/Lamp Settings	DEVICE_HOURS	0x0400	x	x
	LAMP_HOURS	0x0401	x	x
	LAMP_STRIKES	0x0402	x	x
	LAMP_STATE	0x0403	x	x
	LAMP_ON_MODE	0x0404	x	x
Display Settings	DEVICE_POWER_CYCLES	0x0405	x	x
	DISPLAY_INVERT	0x0500	x	x
Configuration	DISPLAY_LEVEL	0x0501	x	x
	LOCK_PIN	0x0640	x	x
	LOCK_STATE	0x0641	x	x
Control	LOCK_STATE_DESCRIPTION	0x0642	x	
	IDENTIFY_DEVICE	0x1000	x	x
	RESET_DEVICE	0x1001		x
	POWER_STATE	0x1010	x	x
	PERFORM_SELFTEST	0x1020	x	x
	SELF_TEST_DESCRIPTION	0x1021	x	
	CAPTURE_PRESET	0x1030	x	x
	PRESET_PLAYBACK	0x1031	x	x
	IDENTIFY_MODE	0x1040	x	x
	PRESET_INFO	0x1041	x	
	PRESET_STATUS	0x1042	x	x
POWER_ON_SELF_TEST	0x1044	x	x	

Parameter	PID	GET	SET	Values	Description	Default Value
PIXEL DMX Address	0x82E6	x	x	0-512	0: Follow Fixture 1-512: DMX Address	0
PIXEL DMX Mode	0x82E7	x	x	0-2	0: Off 1: 4PX 2: Extended	0
DMX Fault	0x82DD	x	x	0-3	0: Hold 1: Blackout 2: Standalone Mode 3: Emergency	0
AC Fault	0x82E8	x	x	0-2	0: No Action 1: Blackout 2: Emergency	0
AC Mode	0x82F5	x	x	0-1	0: No Action 1: Blackout	0
Battery Recharge	0x82F6	x	x	0-2	0: Auto 1: Enable 2: Disable	0
Tungsten Emulation	0x82BC	x	x	0-1	0: Off 1: On	0
Invert Mapping		x	x	0-1	0: Off 1: On	0
Master/Slave	0x8211	x	x	0-2	0: Master DMX 1: Master No DMX 2: Slave	0
Standalone Mode	0x82EC	x	x	0-8	0: FX 1: Source Emulation 2: CCT 3: HSI 4: Fixed Colors 5: White Presets 6: Color Macro 7: Manual Colors 8: XY	0

Parameter	PID	GET	SET	Values	Description	Default Value
Calibration	0x830C	x	x	0-1	0:Off 1:On	1
White Calibration - R	0x82C6	x	x	125 - 255	Calibrate level of R	---
White Calibration - G	0x82C7	x	x	125 - 255	Calibrate level of G	---
White Calibration - B	0x82C6	x	x	125 - 255	Calibrate level of B	---
White Calibration - W	0x82C7	x	x	125 - 255	Calibrate level of W	---
IR Setup	0x82BE	x	x	0-1	0:Off 1:On	1
Run Time	0x82BF	x	x	0-4	0: 2H 1: 6H 2: 8H 3: 12H 4: 18H	1
Clean All Data	0x82C8	x	x	0 - 1	0: No 1: Yes	0
Fixture Hours	0x82C5	x		0 - 65535	Show Fixture Hours	---
Maintenance Period (Alert)	0x82DF	x		0 - 300		300
Maintenance Period (Time and Reset)	0x82E0	x	x	0 - 300		---
Power Consumption	0x82DE	x			Show Power Consumption (W)	---
Battery Cycle	0x82F1	x				---
Battery State (%)	0x82F2	x				---
Battery Life (Min)	0x82F3	x				---
Wireless Quality (%)	0x82F4	x				---
Error Messages	0x82EA	x				---

11 - SHORTCUTS

Keys	Mode	Description
MENU + ENTER then power on	Clear All	Clear all value of functions + factory default
UP + DOWN after power on	Flip Display	Directly flip display without enter inside menu
DOWN + ENTER when NO dmx	Stand Alone Mode	Enter stand alone mode
DOWN on S.A.M.	Stand Alone Mode	Scroll different stand alone modes (CCT, HSI, etc)
UP on S.A.M.	Stand Alone Mode	Scroll different stand alone modes (CCT, HSI, etc)
ENTER on S.A.M.	Stand Alone Mode	Scroll through selected mode parameters (Speed, cct, curve)
SHORT PRESS POWER	Stand Alone Mode	Open User preset list
UP / DOWN in User preset list	Stand Alone Mode / User Preset	Scroll different presets
SHORT PRESS ENTER	Stand Alone Mode / User Preset	Recall selected preset
LONG PRESS ENTER	Stand Alone Mode / User Preset	Save current values to selected preset

12 - ERRORS

ERROR SHOWED	POSSIBLE CAUSES
[DMX ACTIVE]	DMX Signal is present when using TRANSFER CONFIG function
[LED TEMP SENSOR ERROR]	LED sensor damaged (open or in short circuit)
[LED TEMP TOO HIGH]	TEMPERATURE is out of standard temperature range use (minus or plus)
[BATTERY ERROR]	Recharge the main battery, keeping the product under charge for some hours. If the error still occurs, the battery is faulty . Replace the battery.
[NO BATTERY]	Battery not detected. It may be faulty or disconnected.
[LOW BATTERY]	Battery is almost empty (20%). Need to recharge
[CHARGING OVERHEAT]	Charging overheat, stop charging
[BATTERY CHARGER ERROR]	Battery charger circuit not working
[MAINTENANCE TIME]	Need to be done standard maintenance and also reset of elapsed time

13 - DMX CHARTS

RDM Model ID: 0xD096

RDM Personality ID List

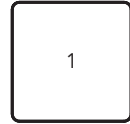
ID	DMX Mode
1	UNO
2	DUO
3	BASIC RGBW
4	BASIC RGB
5	BASIC CMY
6	BASIC HSI
7	STANDARD RGBW
8	STANDARD RGB
9	STANDARD CMY
10	STANDARD HSI
11	XY
12	THEATER 4Ch
13	THEATER 5Ch1
14	THEATER 5Ch2
15	THEATER 6Ch
16	THEATER 10Ch
17	THEATER 15Ch
18	THEATER 17Ch
19	THEATER 21Ch
20	TOUR 4Ch
21	TOUR 6Ch
22	TOUR 10Ch
23	TOUR 11Ch
24	TOUR 15Ch
25	PIXEL 1 Pixel

ID	DMX Mode
26	PIXEL 2H Pixels
27	PIXEL 2V Pixels
28	PIXEL 4 Pixels
29	FILM 1M12CH
30	FILM 2M20CH
31	FILM 3M17CH
32	FILM 4M33CH
33	FILM 5M33CH
34	FILM 6M65CH

FIXTURE DMX CHARTS

NOTE: Refer to channel definitions for dependencies list.

PIXEL LAYOUT



CHANNEL	DMX MODE				
	UNO	DUO	BASIC	STANDARD	XY
DIMMER	1	1	1	1	1
DIMMER FINE	-	2	2	2	2
STROBE	-	-	3	3	3
X 1	-	-	-	-	6
X 1 FINE	-	-	-	-	7
Y 1	-	-	-	-	8
Y 1 FINE	-	-	-	-	9
X 2	-	-	-	-	11
X 2 FINE	-	-	-	-	12
Y 2	-	-	-	-	13
Y 2 FINE	-	-	-	-	14
COLOR 1	-	-	4	4	-
COLOR 1 FINE	-	-	5	5	-
COLOR 2	-	-	6	6	-
COLOR 2 FINE	-	-	7	7	-
COLOR 3	-	-	8	8	-
COLOR 3 FINE	-	-	9	9	-
COLOR 4	-	-	10	10	-
COLOR 4 FINE	-	-	11	11	-
COLOR MACRO BRAND	-	-	12	12	15
COLOR MACRO CATEGORY	-	-	13	13	16
COLOR MACRO	-	-	14	14	17
CCT	-	-	15	15	4
CROSSFADE FOR PIXEL ENGINE	-	-	16	16	-
CROSSFADE FROM WHITE TO COLOR	-	-	17	17	-
CROSSFADE FROM X/Y 1 LAYER TO X/Y 2 LAYER	-	-	-	-	10
CONTROL	-	-	18	18	19
CTO ON COLORS	-	-	-	19	18
TINT	-	-	-	20	5
SOURCE EMULATION CATEGORY	-	-	-	21	-
SOURCE EMULATION MACRO	-	-	-	22	-

PIXEL ENGINE DMX CHARTS

NOTE: PIXEL Engine is available only when used with DMX Modes including "Crossfade for Pixel Engine" channel: Basic, Standard.

PIXEL LAYOUT

1	2
3	4

CHANNEL	DMX MODE		
	OFF	4PX	EXTENDED
RED PIXEL 1	-	1	1
GREEN PIXEL 1	-	2	2
BLUE PIXEL 1	-	3	3
WARM WHITE PIXEL 1	-	4	4
CROSSFADE PIXEL1	-	-	5
CCT PIXEL 1	-	-	6
TINT PIXEL 1	-	-	7
RED PIXEL 2	-	5	8
GREEN PIXEL 2	-	6	9
BLUE PIXEL 2	-	7	10
WARM WHITE PIXEL 2	-	8	11
CROSSFADE PIXEL2	-	-	12
CCT PIXEL 2	-	-	13
TINT PIXEL 2	-	-	14
RED PIXEL 3	-	9	15
GREEN PIXEL 3	-	10	16
BLUE PIXEL 3	-	11	17
WARM WHITE PIXEL 3	-	12	18
CROSSFADE PIXEL3	-	-	19
CCT PIXEL 3	-	-	20
TINT PIXEL 3	-	-	21
RED PIXEL 4	-	13	22
GREEN PIXEL 4	-	14	23
BLUE PIXEL 4	-	15	24
WARM WHITE PIXEL 4	-	16	25
CROSSFADE PIXEL4	-	-	26
CCT PIXEL 4	-	-	27
TINT PIXEL 4	-	-	28

CHANNEL DEFINITION: FIXTURE DMX CHARTS

Dimmer

Function	8 bit value		16 bit value		Note
	From	To	From	To	
Linear Dimmer	0	255	0	65535	Linear Dimmer 0 - 100%

Strobe

Function	8 bit value		16 bit value		Note
	From	To	From	To	
Close	0	1	-	-	Default @ 255
Strobe from Slow to Fast	2	62	-	-	
Open	63	64	-	-	
Pulse In from slow to fast	65	125	-	-	
Open	126	127	-	-	
Pulse Out from slow to fast	128	188	-	-	
Open	189	190	-	-	
Random from slow to fast	191	251	-	-	
Open	252	255	-	-	

X 1 - X 2

Function	8 bit value		16 bit value		Note
	From	To	From	To	
0.0000 - 0.8500	0	255	0	65535	X1 used on Layer 1, X2 used on Layer 2

Y 1 - Y 2

Function	8 bit value		16 bit value		Note
	From	To	From	To	
0.0000 - 0.8500	0	255	0	65535	Y1 used on Layer 1, Y2 used on Layer 2

Color 1

Function	8 bit value		16 bit value		Note
	From	To	From	To	
RED in RGBW mode RED in RGB mode CYAN in CMY mode HUE in HSI mode	0	255	0	65535	Linear 0 - 100% Default @ 255 / 65535

Color 2

Function	8 bit value		16 bit value		Note
	From	To	From	To	
GREEN in RGBW mode GREEN in RGB mode MAGENTA in CMY mode SATURATION in HSI mode	0	255	0	65535	Linear 0 - 100% Default @ 255 / 65535

Color 3

Function	8 bit value		16 bit value		Note
	From	To	From	To	
BLUE in RGBW mode BLUE in RGB mode YELLOW in CMY mode INTENSITY in HSI mode	0	255	0	65535	Linear 0 - 100% Default @ 255 / 65535

Color 4

Function	8 bit value		16 bit value		Note
	From	To	From	To	
WHITE in RGBW mode RESERVED in RGB mode RESERVED in CMY mode RESERVED in HSI mode	0	255	0	65535	Linear 0 - 100% Default @ 255 / 65535

Color Macro Brand

Function	8 bit value		16 bit value		Note
	From	To	From	To	
No Function	0	0	-	-	Default @ 0
LEE Gels	1	50	-	-	
Color Gels	51	100	-	-	
RESERVED	101	255	-	-	

Color Macro Category (when Color Macro Brand @ LEE Gels)

Function	8 bit value		16 bit value		Note
	From	To	From	To	
Color Correction	0	50	-	-	Default @ 0
Color Filters	51	100	-	-	
600 Series	101	150	-	-	
Cosmetic Filters	151	200	-	-	
700 Series	201	255	-	-	

Color Macro Category (when Color Macro Brand @ Color Gels)

Function	8 bit value		16 bit value		Note
	From	To	From	To	
Color Correction	0	50	-	-	Default @ 0
CColor	51	100	-	-	
SSelection	101	150	-	-	
Lux	151	200	-	-	
RESERVED	201	255	-	-	

Color Macro (when Color Macro Category @ LEE: Color Correction)

Function	8 bit value		16 bit value		Gel Number
	From	To	From	To	
Double CTB	0	1	-	-	200
Full CTB	2	3	-	-	201
3/4 CTB	4	5	-	-	281
1/2 CTB	6	7	-	-	202
1/4 CTB	8	9	-	-	203
1/8 CTB	10	11	-	-	218
Double CTO	12	13	-	-	287
Full CTO	14	15	-	-	204
3/4 CTO	16	17	-	-	285
1/2 CTO	18	19	-	-	205
1/4 CTO	20	21	-	-	206
1/8 CTO	22	23	-	-	223
1 1/2 CTB	24	25	-	-	283
1 1/2 CTO	26	27	-	-	286
Full CTS	28	29	-	-	441
1/2 CTS	30	31	-	-	442
1/4 CTS	32	33	-	-	443
1/8 CTS	34	35	-	-	444
Full CTO + .3 ND	36	37	-	-	207
Full CTO + .6 ND	38	39	-	-	208
L.C.T. Yellow (Y1)	40	41	-	-	212
White Flame Green	42	43	-	-	213
LEE Fluorescent Green	44	45	-	-	219
Super Correction L.C.T. Yellow	46	47	-	-	230
Super Correction W.F. Green	48	49	-	-	232
H.M.I. (to Tungsten)	50	51	-	-	236
C.I.D. (to Tungsten)	52	53	-	-	237
C.S.I. (to Tungsten)	54	55	-	-	238
LEE Fluorescent 5700 Kelvin	56	57	-	-	241
LEE Fluorescent 4300 Kelvin	58	59	-	-	242
LEE Fluorescent 3600 Kelvin	60	61	-	-	243
LEE Plus Green	62	63	-	-	244
1/2 Plus Green	64	65	-	-	245
1/4 Plus Green	66	67	-	-	246
1/8 Plus Green	68	69	-	-	278
Lee Minus Green	70	71	-	-	247
1/2 Minus Green	72	73	-	-	248
1/4 Minus Green	74	75	-	-	249
1/8 Minus Green	76	77	-	-	279
RESERVED	78	255	-	-	-

Color Macro (when Color Macro Category @ LEE: Color Filters)

Function	8 bit value		16 bit value		Gel Number
	From	To	From	To	
Rose Pink	0	1	-	-	2
Lavender Tint	2	3	-	-	3
Medium Bastard Amber	4	5	-	-	4
Pale Yellow	6	7	-	-	7
Dark Salmon	8	9	-	-	8
Pale Amber Gold	10	11	-	-	9
Medium Yellow	12	13	-	-	10
Straw Tint	14	15	-	-	13
Surprise Peach	16	17	-	-	17
Fire	18	19	-	-	19
Medium Amber	20	21	-	-	20
Gold Amber	22	23	-	-	21
Dark Amber	24	25	-	-	22
Scarlet	26	27	-	-	24
Sunset Red	28	29	-	-	25
Bright Red	30	31	-	-	26
Light Pink	32	33	-	-	35
Medium Pink	34	35	-	-	36
Dark Magenta	36	37	-	-	46
Rose Purple	38	39	-	-	48
Light Lavender	40	41	-	-	52
Paler Lavender	42	43	-	-	53
Lavender	44	45	-	-	58
Mist Blue	46	47	-	-	61
Pale Blue	48	49	-	-	63
Sky Blue	50	51	-	-	68
Evening Blue	52	53	-	-	75
Just Blue	54	55	-	-	79
Deeper Blue	56	57	-	-	85
Lime Green	58	59	-	-	88
Moss Green	60	61	-	-	89
Dark Yellow Green	62	63	-	-	90
Spring Yellow	64	65	-	-	100
Yellow	66	67	-	-	101
Light Amber	68	69	-	-	102
Straw	70	71	-	-	103
Deep Amber	72	73	-	-	104
Primary Red	74	75	-	-	106
Light Rose	76	77	-	-	107
English Rose	78	79	-	-	108
Light Salmon	80	81	-	-	109
Middle Rose	82	83	-	-	110
Dark Pink	84	85	-	-	111
Magenta	86	87	-	-	113
Peacock Blue	88	89	-	-	115
Steel Blue	90	91	-	-	117
Light Blue	92	93	-	-	118
Deep Blue	94	95	-	-	120
LEE Green	96	97	-	-	121
Fern Green	98	99	-	-	122
Dark Green	100	101	-	-	124
Smokey Pink	102	103	-	-	127
Bright Pink	104	105	-	-	128
Marine Blue	106	107	-	-	131
Golden Amber	108	109	-	-	134

Color Macro (when Color Macro Category @ LEE: Color Filters)

Function	8 bit value		16 bit value		Gel Number
	From	To	From	To	
Deep Golden Amber	110	111	-	-	135
Pale Lavender	112	113	-	-	136
Special Lavender	114	115	-	-	137
Pale Green	116	117	-	-	138
Summer Blue	118	119	-	-	140
Pale Violet	120	121	-	-	142
Pale Navy Blue	122	123	-	-	143
No Color Blue	124	125	-	-	144
Apricot	126	127	-	-	147
Bright Rose	128	129	-	-	148
Gold Tint	130	131	-	-	151
Pale Gold	132	133	-	-	152
Pale Salmon	134	135	-	-	153
Pale Rose	136	137	-	-	154
Chocolate	138	139	-	-	156
Pink	140	141	-	-	157
No Color Straw	142	143	-	-	159
Slate Blue	144	145	-	-	161
Bastard Amber	146	147	-	-	162
Flame Red	148	149	-	-	164
Daylight Blue	150	151	-	-	165
Lilac Tint	152	153	-	-	169
Deep Lavender	154	155	-	-	170
Dark Steel Blue	156	157	-	-	174
Loving Amber	158	159	-	-	176
Dark Lavender	160	161	-	-	180
Light Red	162	163	-	-	182
Flesh Pink	164	165	-	-	192
Surprise Pink	166	167	-	-	194
Zenith Blue	168	169	-	-	195
True Blue	170	171	-	-	196
Alice Blue	172	173	-	-	197
Palace Blue	174	175	-	-	198
Regal Blue	176	177	-	-	199
RESERVED	178	255	-	-	

Color Macro (LEE: Color Correction)

Function	8 bit value		16 bit value		Gel Number
	From	To	From	To	
Arctic White	0	1	-	-	600
Silver	2	3	-	-	601
Platinum	4	5	-	-	602
Moonlight White	6	7	-	-	603
Full CT 85	8	9	-	-	604
Industry Sodium	10	11	-	-	650
HI Sodium	12	13	-	-	651
Urban Sodium	14	15	-	-	652
LO Sodium	16	17	-	-	653
RESERVED	18	255	-	-	-

Color Macro (when Color Macro Category @ LEE: Cosmetic Filters)

Function	8 bit value		16 bit value		Gel Number
	From	To	From	To	
Cosmetic Peach	0	1	-	-	184
Cosmetic Silver Rose	2	3	-	-	186
Cosmetic Rouge	4	5	-	-	187
Cosmetic Highlight	6	7	-	-	188
Cosmetic Silver Moss	8	9	-	-	189
Cosmetic Aqua Blue	10	11	-	-	191
Lily Frost	12	13	-	-	705
Shanklin Frost	14	15	-	-	717
Half Shanklin Frost	16	17	-	-	718
Durham Daylight Frost	18	19	-	-	720
Hampshire Rose	20	21	-	-	749
Durham Frost	22	23	-	-	750
Soft Amber Key 1	24	25	-	-	774
Soft Amber Key 2	26	27	-	-	775
Moroccan Frost	28	29	-	-	791
Blue Diffusion	30	31	-	-	217
Blue Frost	32	33	-	-	221
Daylight Blue Frost	34	35	-	-	224
RESERVED	36	255	-	-	-

Color Macro (when Color Macro Category @ LEE: 700 Series)

Function	8 bit value		16 bit value		Gel Number
	From	To	From	To	
Perfect Lavender	0	1	-	-	700
Provence	2	3	-	-	701
Special Pale Lavender	4	5	-	-	702
Cold Lavender	6	7	-	-	703
Lily	8	9	-	-	704
King Fals Lavender	10	11	-	-	706
Cool Lavender	12	13	-	-	708
Electric Lilac	14	15	-	-	709
Spir Special Blue	16	17	-	-	710
Cold Blue	18	19	-	-	711
Bedford Blue	20	21	-	-	712
Elysian Blue	22	23	-	-	714
Cabana Blue	24	25	-	-	715
Mikkel Blue	26	27	-	-	716
Colour Wash Blue	28	29	-	-	719
Berry Blue	30	31	-	-	721
Virgin Blue	32	33	-	-	723
Ocean Blue	34	35	-	-	724
Old Steel Blue	36	37	-	-	725
Steel Green	38	39	-	-	728
Liberty Green	40	41	-	-	730
Dirty Ice	42	43	-	-	731
Damp Squib	44	45	-	-	733
JAS Green	46	47	-	-	738
Bram Brown	48	49	-	-	742
Dirty White	50	51	-	-	744
Brown	52	53	-	-	746
Easy White	54	55	-	-	747
Seedy Pink	56	57	-	-	748
Wheat	58	59	-	-	763
Sun Colour Straw	60	61	-	-	764

Color Macro (when Color Macro Category @ LEE: 700 Series)

Function	8 bit value		16 bit value		Gel Number
	From	To	From	To	
LEE Yellow	62	63	-	-	765
Cardbox Amber	64	65	-	-	773
Nectarine	66	67	-	-	776
Millenium Gold	68	69	-	-	778
Bastard Pink	70	71	-	-	779
Terry Red	72	73	-	-	781
Blood Red	74	75	-	-	789
Moroccan Pink	76	77	-	-	790
Pretty n'Pink	78	79	-	-	794
Magical Magenta	80	81	-	-	795
RESERVED	82	255	-	-	-

Color Macro (when Color Macro Category @ Color: Correction)

Function	8 bit value		16 bit value		Gel Number
	From	To	From	To	
Full CTB	0	1	-	-	3202
3/4 CTB	2	3	-	-	3203
1/2 CTB	4	5	-	-	3204
1/3 CTB	6	7	-	-	3206
1/4 CTB	8	9	-	-	3208
1/8 CTB	10	11	-	-	3216
Double CTB	12	13	-	-	3220
Full CTO	14	15	-	-	3407
3/4 CTO	16	17	-	-	3411
1/2 CTO	18	19	-	-	3408
1/4 CTO	20	21	-	-	3409
1/8 CTO	22	23	-	-	3410
Double CTO	24	25	-	-	3420
Full CTS	26	27	-	-	3441
1/2 CTS	28	29	-	-	3442
1/4 CTS	30	31	-	-	3443
1/8 CTS	32	33	-	-	3444
Full Plusgreen	34	35	-	-	3304
1/2 Plusgreen	36	37	-	-	3315
1/4 Plusgreen	38	39	-	-	3316
1/8 Plusgreen	40	41	-	-	3317
Full Minusgreen	42	43	-	-	3308
3/4 Minusgreen	44	45	-	-	3309
1/2 Minusgreen	46	47	-	-	3313
1/4 Minusgreen	48	49	-	-	3314
1/8 Minusgreen	50	51	-	-	3318
Fluorofilter	52	53	-	-	3310
Industrial Vapor	54	55	-	-	3150
Urban Vapor	56	57	-	-	3152
Tough Y-1	58	59	-	-	3107
Tough MT 54	60	61	-	-	3134
Tough MTY	62	63	-	-	3106
Tough MT2	64	65	-	-	3102
RESERVED	66	255	-	-	-

Color Macro (when Color Macro Category @ Color: CColor)

Function	8 bit value		16 bit value		Gel Number
	From	To	From	To	
15 Blue	0	1	-	-	4215
30 Blue	2	3	-	-	4230
60 Blue	4	5	-	-	4260
90 Blue	6	7	-	-	4290
7 Cyan	8	9	-	-	4307
15 Cyan	10	11	-	-	4315
30 Cyan	12	13	-	-	4330
60 Cyan	14	15	-	-	4360
90 Cyan	16	17	-	-	4390
15 Green	18	19	-	-	4415
30 Green	20	21	-	-	4430
60 Green	22	23	-	-	4460
90 Green	24	25	-	-	4490
15 Yellow	26	27	-	-	4515
30 Yellow	28	29	-	-	4530
60 Yellow	30	31	-	-	4560
90 Yellow	32	33	-	-	4590
15 Red	34	35	-	-	4615
30 Red	36	37	-	-	4630
60 Red	38	39	-	-	4660
90 Red	40	41	-	-	4690
15 Magenta	42	43	-	-	4715
30 Magenta	44	45	-	-	4730
60 Magenta	46	47	-	-	4760
90 Magenta	48	49	-	-	4790
15 Pink	50	51	-	-	4815
30 Pink	52	53	-	-	4830
60 Pink	54	55	-	-	4860
90 Pink	56	57	-	-	4890
15 Lavender	58	59	-	-	4915
30 Lavender	60	61	-	-	4930
60 Lavender	62	63	-	-	4960
90 Lavender	64	65	-	-	4990
RESERVED	66	255	-	-	-

Color Macro (when Color Macro Category @ Color: SSelection)

Function	8 bit value		16 bit value		Gel Number
	From	To	From	To	
VS Red	0	1	-	-	2001
VS Orange	2	3	-	-	2002
VS Yellow	4	5	-	-	2003
VS Green	6	7	-	-	2004
VS Cyan	8	9	-	-	2005
VS Azure	10	11	-	-	2006
VS Blue	12	13	-	-	2007
VS Indigo	14	15	-	-	2008
VS Violet	16	17	-	-	2009
VS Magenta	18	19	-	-	2010
RESERVED	20	255	-	-	-

Color Macro (when Color Macro Category @ Color: Lux)

Function	8 bit value		16 bit value		Gel Number
	From	To	From	To	
Bastard Amber	0	1	-	-	2
Pale Bastard Amber	2	3	-	-	302
No Color Straw	4	5	-	-	6
Pale Gold	6	7	-	-	8
Daffodil	8	9	-	-	310
Straw	10	11	-	-	12
Light Amber	12	13	-	-	16
Gallo Gold	14	15	-	-	316
Light Flame	16	17	-	-	17
Flame	18	19	-	-	18
Mayan Sun	20	21	-	-	318
Golden Amber	22	23	-	-	21
Soft Golden Amber	24	25	-	-	321
Orange	26	27	-	-	23
Henny Sky	28	29	-	-	325
Light Red	30	31	-	-	26
No Color Pink	32	33	-	-	33
Blush Pink	34	35	-	-	333
Flesh Pink	36	37	-	-	34
Pale Rose Pink	38	39	-	-	37
Salmon	40	41	-	-	41
Deep Salmon	42	43	-	-	42
Middle Rose	44	45	-	-	44
Light Rose Purple	46	47	-	-	47
Surprise Pink	48	49	-	-	51
No Color Blue	50	51	-	-	60
Clearwater	52	53	-	-	360
Booster Blue	54	55	-	-	62
Tipton Blue	56	57	-	-	362
Blue Bell	58	59	-	-	364
Daylight Blue	60	61	-	-	65
Tharon Delft Blue	62	63	-	-	365
Cerulean Blue	64	65	-	-	375
Bermuda Blue	66	67	-	-	376
Green Blue	68	69	-	-	77
Alice Blue	70	71	-	-	378
Primary Blue	72	73	-	-	80
Baldassari Blue	74	75	-	-	381
Medium Blue	76	77	-	-	83
Pale Yellow Green	78	79	-	-	87
Light Green	80	81	-	-	88
Moss Green	82	83	-	-	89
Primary Green	84	85	-	-	91
Turquoise	86	87	-	-	92
Blue Green	88	89	-	-	93
Chocolate	90	91	-	-	99
RESERVED	92	255	-	-	-

CCT

Function		8 bit value		16 bit value		Note
CCT(K) From	CCT (K) To	From	To	From	To	
2800	2900	0	4	-	-	Default @ 0
2900	3000	4	7	-	-	
3000	3100	7	11	-	-	
3100	3200	11	14	-	-	
3200	3300	14	18	-	-	
3300	3400	18	21	-	-	
3400	3500	21	25	-	-	
3500	3600	25	28	-	-	
3600	3700	28	32	-	-	
3700	3800	32	35	-	-	
3800	3900	35	39	-	-	
3900	4000	39	43	-	-	
4000	4100	43	46	-	-	
4100	4200	46	50	-	-	
4200	4300	50	53	-	-	
4300	4400	53	57	-	-	
4400	4500	57	60	-	-	
4500	4600	60	64	-	-	
4600	4700	64	67	-	-	
4700	4800	67	71	-	-	
4800	4900	71	74	-	-	
4900	5000	74	78	-	-	
5000	5100	78	81	-	-	
5100	5200	81	85	-	-	
5200	5300	85	89	-	-	
5300	5400	89	92	-	-	
5400	5500	92	96	-	-	
5500	5600	96	99	-	-	
5600	5700	99	103	-	-	
5700	5800	103	106	-	-	
5800	5900	106	110	-	-	
5900	6000	110	113	-	-	
6000	6100	113	117	-	-	
6100	6200	117	120	-	-	
6200	6300	120	124	-	-	
6300	6400	124	128	-	-	
6400	6500	128	131	-	-	
6500	6600	131	135	-	-	
6600	6700	135	138	-	-	
6700	6800	138	142	-	-	
6800	6900	142	145	-	-	
6900	7000	145	149	-	-	
7000	7100	149	152	-	-	
7100	7200	152	156	-	-	
7200	7300	156	159	-	-	
7300	7400	159	163	-	-	
7400	7500	163	166	-	-	
7500	7600	166	170	-	-	
7600	7700	170	174	-	-	
7700	7800	174	177	-	-	
7800	7900	177	181	-	-	
7900	8000	181	184	-	-	
8000	8100	184	188	-	-	
8100	8200	188	191	-	-	
8200	8300	191	195	-	-	

CCT

Function		8 bit value		16 bit value		Note
CCT(K) From	CCT (K) To	From	To	From	To	
8300	8400	195	198	-	-	Default @ 0
8400	8500	198	202	-	-	
8500	8600	202	205	-	-	
8600	8700	205	209	-	-	
8700	8800	209	213	-	-	
8800	8900	213	216	-	-	
8900	9000	216	220	-	-	
9000	9100	220	223	-	-	
9100	9200	223	227	-	-	
9200	9300	227	230	-	-	
9300	9400	230	234	-	-	
9400	9500	234	237	-	-	
9500	9600	237	241	-	-	
9600	9700	241	244	-	-	
9700	9800	244	248	-	-	
9800	9900	248	251	-	-	
9900	10000	251	255	-	-	

Tint

Function		8 bit value		16 bit value		Note
		From	To	From	To	
-0.25		0	127	-	-	Default @ 128
0 / Neutral		128	128	-	-	Linear tint correction from -0.25 to +0.25
+0.25		129	255	-	-	

Crossfade from Color to Pixel Engine

Function		8 bit value		16 bit value		Note
		From	To	From	To	
Linear Crossfade		0	255	-	-	Default @ 0 Crossfade from Color Layer to Pixel Engine

Crossfade from CCT to Color Mix

Function		8 bit value		16 bit value		Note
		From	To	From	To	
Linear Crossfade		0	255	-	-	Default @ 255 Crossfade from CCT to Color Mix

Crossfade from X/Y Layer 1 to X/Y Layer 2

Function		8 bit value		16 bit value		Note
		From	To	From	To	
Linear Crossfade		0	255	-	-	Default @ 0 Crossfade from X/Y Layer 1 to X/Y Layer2

CTO on Colors

Function		8 bit value		16 bit value		Note
		From	To	From	To	
Linear CTO on Colors		0	255	-	-	Default @ 0 Linear CTO on Colors

Control Channel

Function	8 bit value		16 bit value		Note
	From	To	From	To	
No Function	0	1	-	-	Hold 3s to activate functions
RGBW MODE	2	3	-	-	
RGB MODE	4	5	-	-	
CMY MODE	6	7	-	-	
HSI MODE	8	9	-	-	
BACKLIGHT ON	10	11	-	-	
BACKLIGHT 10S	12	13	-	-	
BACKLIGHTS 20S	14	15	-	-	
BACKLIGHTS 30S	16	17	-	-	
FLIP DISPLAY ON	18	19	-	-	
FLIP DISPLAY OFF	20	21	-	-	
KEY LOCK ON	22	23	-	-	
KEY LOCK OFF	24	25	-	-	
CALIBRATION ON	26	27	-	-	
CALIBRATION OFF	28	29	-	-	
DIMMER CURVE LINEAR	30	31	-	-	
DIMMER CURVE S-CURVE	32	33	-	-	
DIMMER CURVE SQUARE LAW	34	35	-	-	
DIMMER CURVE INVERSE SQUARE LAW	36	37	-	-	
DIMMER CURVE HIGH RES@LOW	38	39	-	-	
DIMMER SPEED AUTO	40	41	-	-	
DIMMER SPEED FAST	42	43	-	-	
DIMMER SPEED MEDIUM	44	45	-	-	
DIMMER SPEED SLOW	46	47	-	-	
DIMMER END FADE OFF@END	48	49	-	-	
DIMMER END SNAP OFF@END	50	51	-	-	
LED FREQUENCY 600HZ	52	53	-	-	
LED FREQUENCY 1200HZ	54	55	-	-	
LED FREQUENCY 2000HZ	56	57	-	-	
LED FREQUENCY 4000HZ	58	59	-	-	
LED FREQUENCY 6000HZ	60	61	-	-	
LED FREQUENCY 10KHZ	62	63	-	-	
LED FREQUENCY 12KHZ	64	65	-	-	
LED FREQUENCY 15KHZ	66	67	-	-	
LED FREQUENCY 20KHZ	68	69	-	-	
LED FREQUENCY 25KHZ	70	71	-	-	
LED FREQUENCY 36KHZ	72	73	-	-	
LED FREQUENCY 40KHZ	74	75	-	-	
RUN TIME 2 H	76	77	-	-	
RUN TIME 6 H	78	79	-	-	
RUN TIME 8 H	80	81	-	-	
RUN TIME 12 H	82	83	-	-	
RUN TIME 18 H	84	85	-	-	
IR SETUP ON	86	87	-	-	
IR SETUP OFF	88	89	-	-	
DMX FAULT HOLD	90	91	-	-	
DMX HOLD BLACKOUT	92	93	-	-	
DMX FAULT STAND ALONE	94	95	-	-	
DMX FAULT EMERGENCY	96	97	-	-	
AC FAULT NO ACTION	98	99	-	-	
AC FAULT BLACKOUT	100	101	-	-	
AC FAULT EMERGENCY	102	103	-	-	
AC MODE NO ACTION	104	105	-	-	
AC MODE BLACKOUT	106	107	-	-	
BATTERY RECHARGE AUTO	108	109	-	-	

Control Channel

Function	8 bit value		16 bit value		Note
	From	To	From	To	
BATTERY RECHARGE DISABLE	110	111	-	-	Hold 3s to activate functions
BATTERY RECHARGE ENABLE	112	113	-	-	
TUNGSTEN EMULATION ON	114	115	-	-	
TUNGSTEN EMULATION OFF	116	117	-	-	
RESERVED	118	119	-	-	
RESERVED	120	121	-	-	
INVERT MAPPING OFF	122	123	-	-	
INVERT MAPPING ON	124	125	-	-	
STAND ALONE MASTER	126	127	-	-	
STAND ALONE MASTER NO DMX	128	129	-	-	
STAND ALONE SLAVE	130	131	-	-	
STAND ALONE EFFECTS	132	133	-	-	
STAND ALONE SOURCE EMULATION	134	135	-	-	
STAND ALONE CCT	136	137	-	-	
STAND ALONE HSI	138	139	-	-	
STAND ALONE FIXED COLORS	140	141	-	-	
STAND ALONE WHITE PRESETS	142	143	-	-	
STAND ALONE COLOR MACRO	144	145	-	-	
STAND ALONE MANUAL COLORS	146	147	-	-	
STAND ALONE XY	148	149	-	-	
STAND ALONE USER PRESETS	150	151	-	-	
RESERVED	152	253	-	-	
RESET ALL CHANNELS CONTROLLED	254	255	-	-	

Source Emulation Category

Function	8 bit value		16 bit value		Note
	From	To	From	To	
No Function	0	0	-	-	Default @ 0
Category 1 - Incandescent	1	50	-	-	
Category 2 - Fluorescent	51	100	-	-	
Category 3 - Discharge	101	150	-	-	
Category 4 - Other	151	200	-	-	
RESERVED	201	255	-	-	

Source Emulation Macro (when Source Emulation Category @ Category 1 - Incandescent)

Function	8 bit value		16 bit value		Note
	From	To	From	To	
Tungsten Bulb	0	1	-	-	Default @ 0
Incandescent	2	3	-	-	
Halogen	4	5	-	-	
Antique Bulb	6	7	-	-	
Warm Antique Bulb	8	9	-	-	
Christmas Light	10	11	-	-	
Night Light	12	13	-	-	
Infrared Heat Lamp	14	15	-	-	
Grow Light	16	17	-	-	
RESERVED	18	255	-	-	

Source Emulation Macro (when Source Emulation Category @ Category 2 - Fluorescent)

Function	8 bit value		16 bit value		Note
	From	To	From	To	
CFL Soft White	0	1	-	-	Default @ 0
CFL Bright White	2	3	-	-	
CFL Cool White	4	5	-	-	
CFL Daylight	6	7	-	-	
Cool White 1	8	9	-	-	
Cool White 2	10	11	-	-	
Cool White 3	12	13	-	-	
Warm White	14	15	-	-	
CFL Blacklight	16	17	-	-	
RESERVED	18	255	-	-	

Source Emulation Macro (when Source Emulation Category @ Category 3 - Discharge)

Function	8 bit value		16 bit value		Note
	From	To	From	To	
HMI	0	1	-	-	Default @ 0
High Pressure Sodium	2	3	-	-	
Low Pressure Sodium	4	5	-	-	
Mercury Vapor	6	7	-	-	
Metal Halide	8	9	-	-	
Ceramic	10	11	-	-	
Carbon Arc	12	13	-	-	
Xenon	14	15	-	-	
RESERVED	18	255	-	-	

Source Emulation Macro (when Source Emulation Category @ Category 4 - Other)

Function	8 bit value		16 bit value		Note
	From	To	From	To	
Candle	0	1	-	-	Default @ 0
Gas Fire	2	3	-	-	
Sun Direct	4	5	-	-	
Sun Overcast	6	7	-	-	
Sun Blue Hour	8	9	-	-	
Mobile Phone	10	11	-	-	
Computer Monitor	12	13	-	-	
Electroluminescence	14	15	-	-	
Blow Torch	16	17	-	-	
Road Flare	18	19	-	-	
Amber Caution	20	21	-	-	
Green Traffic Light	22	23	-	-	
Yellow Traffic Light	24	25	-	-	
Red Traffic Light	26	27	-	-	
Blue Glow Stick	28	29	-	-	
Green Glow Stick	30	31	-	-	
Red Glow Stick	32	33	-	-	
Yellow Glow Stick	34	35	-	-	
Pink Glow Stick	36	37	-	-	
Violet Glow Stick	38	39	-	-	
RESERVED	40	255	-	-	

CHANNEL DEFINITION: PIXEL ENGINE DMX CHARTS

NOTE: PIXEL Engine is available only when used with DMX Modes including "Crossfade for Pixel Engine" channel: Basic, Standard.

PIXEL LAYOUT

1	2
3	4

4PX (Single Pixel Instance)

Function	8 bit value		16 bit value		Note
	From	To	From	To	
Red	0	255	-	-	Default @ 255
Green	0	255	-	-	Default @ 255
Blue	0	255	-	-	Default @ 255
Warm White	0	255	-	-	Default @ 255

EXTENDED (Single Pixel Instance)

Function	8 bit value		16 bit value		Note
	From	To	From	To	
Red	0	255	-	-	Default @ 255
Green	0	255	-	-	Default @ 255
Blue	0	255	-	-	Default @ 255
Warm White	0	255	-	-	Default @ 255
Crossfade CCT to Color	0	255	-	-	Default @ 255
CCT	0	255	-	-	Default @ 0 - For CCT values refer to CCT channel definition
Tint	0	255	-	-	Default @ 128 - For Tint values refer to Tint channel definition

LEGACY MODES

Following DMX Modes are borrowed from current ECLPANELTWC series.
All channel values below are not referred or referring to any info described before.

THEATER

CH	1 Ch	2 Ch	4 Ch	5 Ch "1"	5 Ch "2"	6 Ch	10 Ch	15 Ch	17 Ch	21 Ch
1	DIMMER	DIMMER	DIMMER	DIMMER	DIMMER	DIMMER	DIMMER	DIMMER	DIMMER	DIMMER
2		DIMMER FADE	CCT	DIMMER FINE	CCT	CCT	RED	DIMMER FINE	DIMMER FINE	DIMMER FINE
3			HUE	CCT	HUE	HUE	GREEN	RED	STROBE	STROBE
4			DIMMER FADE	HUE	STROBE	STROBE	BLUE	RED FINE	CCT	CCT
5				DIMMER FADE	DIMMER FADE	COLOR MACRO	WHITE	GREEN	HUE	HUE
6						DIMMER FADE	CCT	GREEN FINE	CROSSFADE	CROSSFADE
7							HUE	BLUE	RED	RED
8							STROBE	BLUE FINE	RED FINE	RED FINE
9							COLOR MACRO	WHITE	GREEN	GREEN
10							DIMMER FADE	WHITE FINE	GREEN FINE	GREEN FINE
11								CCT	BLUE	BLUE
12								HUE	BLUE FINE	BLUE FINE
13								STROBE	WHITE	WHITE
14								COLOR MACRO	WHITE FINE	WHITE FINE
15								DIMMER FADE	COLOR MACRO	COLOR MACRO
16									CTO ON COLORS	CTO ON COLORS
17									DIMMER FADE	DIMMER FADE
18										FX SELEC- TION
19										FX SPEED
20										FX FADE
21										CONTROL

THEATER

1 Ch	2 Ch	4 Ch	5 Ch "1"	5 Ch "2"	6 Ch	10 Ch	15 Ch	17 Ch	21 Ch	FUNCTION	DMX Value	Default
1	1	1	1	1	1	1	1	1	1	DIMMER 0+100%	000 ÷ 255	000
			2				2	2	2	DIMMER FINE 0+100%	000 ÷ 255	000
								5	5	HUE 25 to 0 0 0 to +25	000 ÷ 126 127 ÷ 127 128 ÷ 255	127
								6	6	CROSSFADE FROM CCT TO COLOR 0+100%	000 ÷ 255	000
						2	3	7	7	RED 0+100%	000 ÷ 255	000
							4	8	8	RED FINE 0+100%	000 ÷ 255	000
						3	5	9	9	GREEN 0+100%	000 ÷ 255	000
							6	10	10	GREEN FINE 0+100%	000 ÷ 255	000
						4	7	11	11	BLUE 0+100%	000 ÷ 255	000
							8	12	12	BLUE FINE 0+100%	000 ÷ 255	000
						5	9	13	13	WHITE 0+100%	000 ÷ 255	000
							10	14	14	WHITE FINE 0+100%	000 ÷ 255	000
		2	3	2	2			4	4	CCT 2800K - 3200K 3200K - 3500K 3500K - 4000K 4000K - 4500K 4500K - 5000K 5000K - 5600K 5600K - 6000K 6000K - 6500K	000 ÷ 031 032 ÷ 063 064 ÷ 095 096 ÷ 127 128 ÷ 159 160 ÷ 191 192 ÷ 223 224 ÷ 255	000
						6	11			CCT 2800K - 3200K 3200K - 3500K 3500K - 4000K 4000K - 4500K 4500K - 5000K 5000K - 5600K 5600K - 6000K 6000K - 6500K No Function	000 ÷ 030 031 ÷ 060 061 ÷ 090 091 ÷ 120 121 ÷ 150 151 ÷ 180 181 ÷ 210 211 ÷ 240 241 ÷ 255	000
		3	4	3	3	7	12			HUE 0 -25°+25°	000 ÷ 000 001 ÷ 255	000
				4	4	8	13	3	3	STROBE Closed Strobe slow to fast Open Random slow to fast Open	000 ÷ 030 031 ÷ 100 101 ÷ 130 131 ÷ 200 201 ÷ 255	255
					5	9	14	15		COLOR MACRO No Function Amber Shift on Color Macro*	000 ÷ 002 003 ÷ 005 006 ÷ 255	000

1 Ch	2 Ch	4 Ch	5 Ch "1"	5 Ch "2"	6 Ch	10 Ch	15 Ch	17 Ch	21 Ch	FUNCTION	DMX Value	Default
								16	16	CTO ON COLORS 0+100%	000 ÷ 255	000
	2	4	5	5	6	10	15	17	17	DIMMER FADE Read from menu 0+100%	000 ÷ 000 001 ÷ 255	000
									18	FX SELECTION No Function Effect 1 Effect 2 Effect 3 Effect 4 Effect 5 Candle Cop Car1 Cop Car2 Cop Car3 Fire Fireworks Paparazzi Television Party Clouds Club Color Chase Strobe Lighting Explosion Fluorescent Process Pulsing Welding	000 ÷ 010 011 ÷ 020 021 ÷ 030 031 ÷ 040 041 ÷ 050 051 ÷ 060 061 ÷ 070 071 ÷ 080 081 ÷ 090 091 ÷ 100 101 ÷ 110 111 ÷ 120 121 ÷ 130 131 ÷ 140 141 ÷ 150 151 ÷ 160 161 ÷ 170 171 ÷ 180 181 ÷ 190 191 ÷ 200 201 ÷ 210 211 ÷ 220 221 ÷ 230 231 ÷ 240 241 ÷ 255	000
									19	FX SPEED 0+100%	000 ÷ 255	000
									20	FX FADE 0+100%	000 ÷ 255	000

1 Ch	2 Ch	4 Ch	5 Ch "1"	5 Ch "2"	6 Ch	10 Ch	15 Ch	17 Ch	21 Ch	FUNCTION	DMX Value	Default
										CONTROL CHANNEL		
										SAFE	0 + 1	
										RGBW MODE	2 + 3	
										RGB MODE	4 + 5	
										CMY MODE	6 + 7	
										HSI MODE	8 + 9	
										BACKLIGHT ON	10 + 11	
										BACKLIGHT 10S	12 + 13	
										BACKLIGHTS 20S	14 + 15	
										BACKLIGHTS 30S	16 + 17	
										FLIP DISPLAY ON	18 + 19	
										FLIP DISPLAY OFF	20 + 21	
										KEY LOCK ON	22 + 23	
										KEY LOCK OFF	24 + 25	
										CALIBRATION ON	26 + 27	
										CALIBRATION OFF	28 + 29	
										DIMMER CURVE LINEAR	30 + 31	
										DIMMER CURVE S-CURVE	32 + 33	
										DIMMER CURVE SQUARE LAW	34 + 35	
										DIMMER CURVE INVERSE SQUARE LAW	36 + 37	
										DIMMER CURVE HIGH RES@LOW	38 + 39	
										DIMMER SPEED AUTO	40 + 41	
										DIMMER SPEED FAST	42 + 43	
										DIMMER SPEED MEDIUM	44 + 45	
										DIMMER SPEED SLOW	46 + 47	
										DIMMER END FADE OFF@END	48 + 49	
										DIMMER END SNAP OFF@END	50 + 51	
										LED FREQUENCY 600HZ	52 + 53	
										LED FREQUENCY 1200HZ	54 + 55	
										LED FREQUENCY 2000HZ	56 + 57	
										LED FREQUENCY 4000HZ	58 + 59	
										LED FREQUENCY 6000HZ	60 + 61	
										LED FREQUENCY 10KHZ	62 + 63	
										LED FREQUENCY 12KHZ	64 + 65	
										LED FREQUENCY 15KHZ	66 + 67	
										LED FREQUENCY 20KHZ	68 + 69	
										LED FREQUENCY 25KHZ	70 + 71	
										LED FREQUENCY 36KHZ	72 + 73	
										LED FREQUENCY 40KHZ	74 + 75	
									21	RUN TIME 3 H	76 + 77	000
										RUN TIME 6 H	78 + 79	
										RUN TIME 8 H	80 + 81	
										RUN TIME 12 H	82 + 83	
										RUN TIME 18 H	84 + 85	
										IR SETUP ON	86 + 87	
										IR SETUP OFF	88 + 89	
										DMX FAULT HOLD	90 + 91	
										DMX HOLD BLACKOUT	92 + 93	
										DMX FAULT STAND ALONE	94 + 95	
										DMX FAULT EMERGENCY	96 + 97	
										AC FAULT NO ACTION	98 + 99	
										AC FAULT BLACKOUT	100 + 101	
										AC FAULT EMERGENCY	102 + 103	
										AC MODE NO ACTION	104 + 105	
										AC MODE BLACKOUT	106 + 107	
										BATTERY RECHARGE AUTO	108 + 109	
										BATTERY RECHARGE DISABLE	110 + 111	
										BATTERY RECHARGE ENABLE	112 + 113	
										TUNGSTEN EMULATION ON	114 + 115	
										TUNGSTEN EMULATION OFF	116 + 117	
										RESERVED	118 + 119	
										RESERVED	120 + 121	
										INVERT MAPPING OFF	122 + 123	
										INVERT MAPPING ON	124 + 125	
										STAND ALONE MASTER	126 + 127	
										STAND ALONE MASTER NO DMX	128 + 129	
										STAND ALONE SLAVE	130 + 131	
										STAND ALONE EFFECTS	132 + 133	
										STAND ALONE SOURCE EMULATION	134 + 135	
										STAND ALONE CCT	136 + 137	
										STAND ALONE HSI	138 + 139	
										STAND ALONE FIXED COLORS	140 + 141	
										STAND ALONE WHITE PRESETS	142 + 143	
										STAND ALONE COLOR MACRO	144 + 145	
										STAND ALONE MANUAL COLORS	146 + 147	
										STAND ALONE XY	148 + 149	
										STAND ALONE USER PRESETS	150 + 151	
										RESERVED	152 + 253	
										RESET ALL CHANNELS CONTROLLED	254 + 255	

1 Ch	2 Ch	4 Ch	5 Ch "1"	5 Ch "2"	6 Ch	10 Ch	15 Ch	17 Ch	21 Ch	FUNCTION	DMX Value	Default
										COLOR MACRO		
										Open	000 ÷ 001	
										Red	002 ÷ 003	
										Green	004 ÷ 005	
										Blue	006 ÷ 007	
										Cyan	008 ÷ 009	
										Magenta	010 ÷ 011	
										Yellow	012 ÷ 013	
										Dirty White	014 ÷ 015	
										Alice Blue	016 ÷ 017	
										Congo Blue	018 ÷ 019	
										Dark Steel Blue	020 ÷ 021	
										Deep Lavender	022 ÷ 023	
										Lilac Ting	024 ÷ 025	
										Daylight Blue	026 ÷ 027	
										Flame Red	028 ÷ 029	
										Bastard Amber	030 ÷ 031	
										Deep Orange	032 ÷ 033	
										Pale Gold	034 ÷ 035	
										Apricot	036 ÷ 037	
										Bright Blue	038 ÷ 039	
										Primary Green	040 ÷ 041	
										Special Lavender	042 ÷ 043	
										Pale Lavender	044 ÷ 045	
										Deep Golden Amber	046 ÷ 047	
										Medium Blue	048 ÷ 049	
										Bright Pink	050 ÷ 051	
								15		Mauve	052 ÷ 053	
										Dark Green	054 ÷ 055	000
										Lee Green	056 ÷ 057	
										Dark Blue	058 ÷ 059	
										Light Blue	060 ÷ 061	
										Steel Blue	062 ÷ 063	
										Medium Blue-Green	064 ÷ 065	
										Peacock Blue	066 ÷ 067	
										Magenta	068 ÷ 069	
										Dark Pink	070 ÷ 071	
										Middle Rose	072 ÷ 073	
										Light Salmon	074 ÷ 075	
										English Rose	076 ÷ 077	
										Light Rose	078 ÷ 079	
										Orange	080 ÷ 081	
										Deep Amber	082 ÷ 083	
										Straw	084 ÷ 085	
										Light Amber	086 ÷ 087	
										Spring Yellow	088 ÷ 089	
										Dark Yellow Green	090 ÷ 091	
										Just Blue	092 ÷ 093	
										Sky Blue	094 ÷ 095	
										Lavender	096 ÷ 097	
										Light Lavender	098 ÷ 099	
										Pink Carnation	100 ÷ 101	
										Medium Pink	102 ÷ 103	
										Light Pink	104 ÷ 105	
										Sunset Red	106 ÷ 107	
										Dark Amber	108 ÷ 109	
										Gold Amber	110 ÷ 111	

1 Ch	2 Ch	4 Ch	5 Ch "1"	5 Ch "2"	6 Ch	10 Ch	15 Ch	17 Ch	21 Ch	FUNCTION	DMX Value	Default
										Medium Amber	112 ÷ 113	000
										Fire	114 ÷ 115	
										Surprise Peach	116 ÷ 117	
										Straw Tint	118 ÷ 119	
										Medium Yellow	120 ÷ 121	
										Lee Minus Green	122 ÷ 123	
										Pale Gold	124 ÷ 125	
										Orange	126 ÷ 127	
										Deep Straw	128 ÷ 129	
										Rose Purple	130 ÷ 131	
										Deep Purple	132 ÷ 133	
										Soft Green	134 ÷ 135	
										Reserved	136 ÷ 211	
										2800K	212 ÷ 213	
										3000K	214 ÷ 215	
										3200K	216 ÷ 217	
										3400K	218 ÷ 219	
									15	3600K	220 ÷ 221	
										3800K	222 ÷ 223	
										4000K	224 ÷ 225	
										4200K	226 ÷ 227	
										4400K	228 ÷ 229	
										4600K	230 ÷ 231	
										4800K	232 ÷ 233	
										5000K	234 ÷ 235	
										5200K	236 ÷ 237	
										5400K	238 ÷ 239	
										5600K	240 ÷ 241	
										6000K	242 ÷ 243	
										6500K	244 ÷ 245	
										7000K	246 ÷ 247	
										8000K	248 ÷ 249	
										9000K	250 ÷ 251	
										10000K	252 ÷ 253	
										Full On	254 ÷ 255	

TOUR

Channel	4 Ch	6 Ch	10 Ch	11 Ch	15 Ch
1	RED	DIMMER	DIMMER	DIMMER	DIMMER
2	GREEN	RED	RED	DIMMER FINE	DIMMER FINE
3	BLUE	GREEN	GREEN	RED	RED
4	WHITE	BLUE	BLUE	RED FINE	RED FINE
5		WHITE	WHITE	GREEN	GREEN
6		STROBE	STROBE	GREEN FINE	GREEN FINE
7			CCT	BLUE	BLUE
8			EFFECTS	BLUE FINE	BLUE FINE
9			EFFECTS SPEED	WHITE	WHITE
10			DIMMER FADE	WHITE FINE	WHITE FINE
11				STROBE	STROBE
12					CCT
13					EFFECTS
14					EFFECTS SPEED
15					DIMMER FADE

TOUR

4 Ch	6 Ch	10 Ch	11 Ch	15 Ch	FUNCTION	DMX Value	Default
	1	1	1	1	DIMMER 0÷100%	000 ÷ 255	000
			2	2	DIMMER FINE 0÷100%	000 ÷ 255	000
1	2	2	3	3	RED 0÷100%	000 ÷ 255	255
			4	4	RED FINE 0÷100%	000 ÷ 255	255
2	3	3	5	5	GREEN 0÷100%	000 ÷ 255	255
			6	6	GREEN FINE 0÷100%	000 - 255	255
3	4	4	7	7	BLUE 0÷100%	000 ÷ 255	255
			8	8	BLUE FINE 0÷100%	000 ÷ 255	255
4	5	5	9	9	WHITE 0÷100%	000 ÷ 255	255
			10	10	WHITE FINE 0÷100%	000 ÷ 255	255
	6	6	11	11	STROBE Closed Strobe slow to fast Open Random slow to fast Open	000 ÷ 030 031 ÷ 100 101 ÷ 130 131 ÷ 200 201 ÷ 255	255
		7		12	CCT No Function 2800K 3200K 3500K 4000K 4500K 5000K 5600K 6000K 6500K No Function	000 ÷ 005 006 ÷ 030 031 ÷ 055 056 ÷ 080 081 ÷ 105 106 ÷ 130 131 ÷ 155 156 ÷ 180 181 ÷ 205 206 ÷ 230 231 ÷ 255	000
		8		13	EFFECTS No Function Effect 1 Effect 2 Effect 3 Effect 4 Effect 5 Candle Cop Car1 Cop Car2 Cop Car3 Fire Fireworks Paparazzi Television Party	000 ÷ 010 011 ÷ 020 021 ÷ 030 031 ÷ 040 041 ÷ 050 051 ÷ 060 061 ÷ 070 071 ÷ 080 081 ÷ 090 091 ÷ 100 101 ÷ 110 111 ÷ 120 121 ÷ 130 131 ÷ 140 141 ÷ 150	

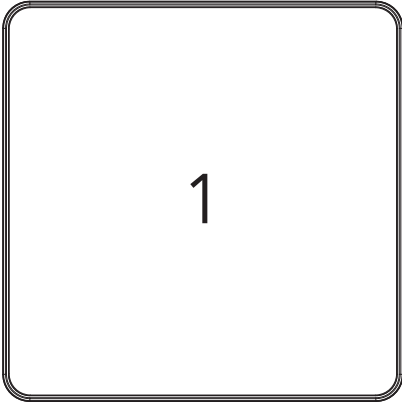
		8		13	Clouds Club Color Chase Strobe Lighting Explosion Fluorescent Process Pulsing Welding	151 ÷ 160 161 ÷ 170 171 ÷ 180 181 ÷ 190 191 ÷ 200 201 ÷ 210 211 ÷ 220 221 ÷ 230 231 ÷ 240 241 ÷ 255	000
		9		14	EFFECTS SPEED Speed slow to fast	000 ÷ 255	128
		10		15	DIMMER FADE Read from menu 0÷100%	000 ÷ 000 001 ÷ 255	000

PIXEL

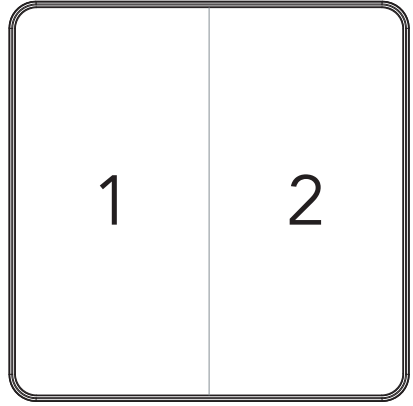
Channel	1	2V	2H	4
1	DIMMER	DIMMER	DIMMER	DIMMER
2	STROBE	STROBE	STROBE	STROBE
3	DIMMER FADE	DIMMER FADE	DIMMER FADE	DIMMER FADE
4	RED	RED1	RED1	RED1
5	GREEN	GREEN1	GREEN1	GREEN1
6	BLUE	BLUE1	BLUE1	BLUE1
7	WHITE	WHITE1	WHITE1	WHITE1
8		RED2	RED2	RED2
9		GREEN2	GREEN2	GREEN2
10		BLUE2	BLUE2	BLUE2
11		WHITE2	WHITE2	WHITE2
12				RED3
13				GREEN3
14				BLUE3
15				WHITE3
16				RED4
17				GREEN4
18				BLUE4
19				WHITE4

PIXEL LAYOUT

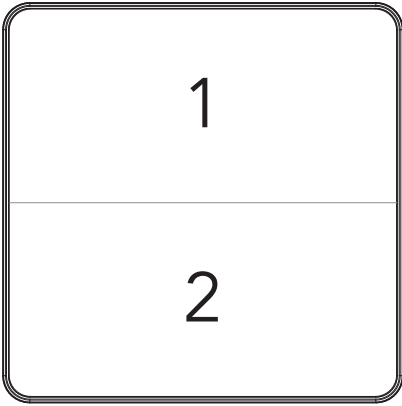
The following drawing describes the pixels distribution and their position on the product light emitting surface. Check the DMX mode selected to identify the related Pixel layout.



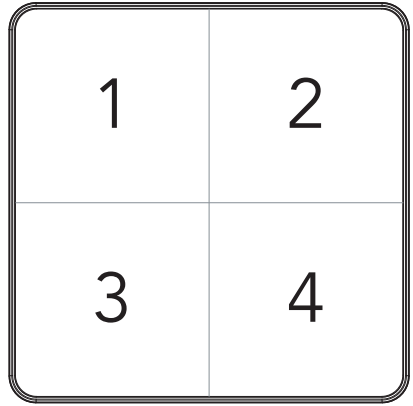
1 Pixel



2V Pixel



2H Pixel



4 Pixel

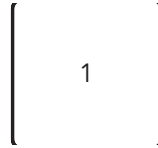
PIXEL

1	2V	2H	4	FUNCTION	DMX Value	Default
1	1	1	1	DIMMER 0÷100%	000 ÷ 255	000
2	2	2	2	STROBE Closed Strobe slow to fast Open Random slow to fast Open	000 ÷ 030 031 ÷ 100 101 ÷ 130 131 ÷ 200 201 ÷ 255	255
3	3	3	3	DIMMER FADE Read from menu 0÷100%	000 ÷ 000 001 ÷ 255	000
4				RED 0÷100%	000 ÷ 255	255
5				GREEN 0÷100%	000 ÷ 255	255
6				BLUE 0÷100%	000 ÷ 255	255
7				WHITE 0÷100%	000 ÷ 255	255
	4	4	4	RED1 0÷100%	000 ÷ 255	255
	5	5	5	GREEN1 0÷100%	000 ÷ 255	255
	6	6	6	BLUE1 0÷100%	000 ÷ 255	255
	7	7	7	WHITE1 0÷100%	000 - 255	255
	8	8	8	RED2 0÷100%	000 ÷ 255	255
	9	9	9	GREEN2 0÷100%	000 ÷ 255	255
	10	10	10	BLUE2 0÷100%	000 ÷ 255	255
	11	11	11	WHITE2 0÷100%	000 - 255	255
			12	RED3 0÷100%	000 ÷ 255	255
			13	GREEN3 0÷100%	000 ÷ 255	255
			14	BLUE3 0÷100%	000 ÷ 255	255
			15	WHITE3 0÷100%	000 ÷ 255	255
			16	RED4 0÷100%	000 ÷ 255	255
			17	GREEN4 0÷100%	000 ÷ 255	255
			18	BLUE4 0÷100%	000 ÷ 255	255
			19	WHITE4 0÷100%	000 ÷ 255	255

FILM

Ch	1M12CH	2M20CH	3M17CH	4M33CH
1	DIMMER	DIMMER	PIXEL 1 DIMMER	PIXEL 1 DIMMER
2	CCT	DIMMER FINE	PIXEL 1 CCT	PIXEL 1 DIMMER FINE
3	HUE	CCT	PIXEL 1 HUE	PIXEL 1 CCT
4	CROSSFADE FROM CCT TO COLOR	CCT FINE	PIXEL 1 CROSSFADE FROM CCT TO COLOR	PIXEL 1 CCT FINE
5	RED	HUE	PIXEL 1 RED	PIXEL 1 HUE
6	GREEN	HUE FINE	PIXEL 1 GREEN	PIXEL 1 HUE FINE
7	BLUE	CROSSFADE FROM CCT TO COLOR	PIXEL 1 BLUE	PIXEL 1 CROSSFADE FROM CCT TO COLOR
8	WHITE	CROSSFADE FROM CCT TO COLOR FINE	PIXEL 1 WHITE	PIXEL 1 CROSSFADE FROM CCT TO COLOR FINE
9	FAN CONTROL	RED	PIXEL 2 DIMMER	PIXEL 1 RED
10	COLOR MACRO	RED FINE	PIXEL 2 CCT	PIXEL 1 RED FINE
11	STROBE	GREEN	PIXEL 2 HUE	PIXEL 1 GREEN
12	CONTROL	GREEN FINE	PIXEL 2 CROSSFADE FROM CCT TO COLOR	PIXEL 1 GREEN FINE
13		BLUE	PIXEL 2 RED	PIXEL 1 BLUE
14		BLUE FINE	PIXEL 2 GREEN	PIXEL 1 BLUE FINE
15		WHITE	PIXEL 2 BLUE	PIXEL 1 WHITE
16		WHITE FINE	PIXEL 2 WHITE	PIXEL 1 WHITE FINE
17		FAN CONTROL	CONTROL	PIXEL 2 DIMMER
18		COLOR MACRO		PIXEL 2 DIMMER FINE
19		STROBE		PIXEL 2 CCT
20		CONTROL		PIXEL 2 CCT FINE
21				PIXEL 2 HUE
22				PIXEL 2 HUE FINE
23				PIXEL 2 CROSSFADE FROM CCT TO COLOR
24				PIXEL 2 CROSSFADE FROM CCT TO COLOR FINE
25				PIXEL 2 RED
26				PIXEL 2 RED FINE
27				PIXEL 2 GREEN
28				PIXEL 2 GREEN FINE
29				PIXEL 2 BLUE
30				PIXEL 2 BLUE FINE
31				PIXEL 2 WHITE
32				PIXEL 2 WHITE FINE
33				CONTROL

PIXEL LAYOUT



FILM
1M12CH and 2M20CH

1M12CH	2M20CH	FUNCTION	DMX Value	Default
1	1	DIMMER 0÷100%	000 ÷ 255	000
	2	DIMMER FINE	000 ÷ 255	000
2	3	CCT 2800K - 3000K 3000K - 3200K 3200K - 3400K 3400K - 3600K 3600K - 3800K 3800K - 4000K 4000K - 4200K 4200K - 4400K 4400K - 4600K 4600K - 4800K 4800K - 5000K 5000K - 5200K 5200K - 5400K 5400K - 5600K 5600K - 5800K 5800K - 6000K 6000K - 6200K 6200K - 6400K 6400K - 6600K 6600K - 6800K 6800K - 7000K 7000K - 7200K 7200K - 7400K 7400K - 7600K 7600K - 7800K 7800K - 8000K 8000K - 8200K 8200K - 8400K 8400K - 8600K 8600K - 8800K 8800K - 9000K 9000K - 9200K 9200K - 9400K 9400K - 9600K 9600K - 9800K 9800K - 10000K	000 ÷ 007 007 ÷ 014 014 ÷ 021 021 ÷ 028 028 ÷ 035 035 ÷ 042 042 ÷ 049 049 ÷ 056 056 ÷ 063 063 ÷ 070 070 ÷ 077 077 ÷ 084 084 ÷ 091 091 ÷ 098 098 ÷ 105 105 ÷ 112 112 ÷ 119 119 ÷ 126 126 ÷ 133 133 ÷ 140 140 ÷ 147 147 ÷ 154 154 ÷ 161 161 ÷ 168 168 ÷ 175 175 ÷ 182 182 ÷ 189 189 ÷ 196 196 ÷ 203 203 ÷ 210 210 ÷ 217 217 ÷ 224 224 ÷ 231 231 ÷ 238 238 ÷ 245 245 ÷ 255	000
	4	CCT FINE	000 ÷ 255	000
3	5	HUE Neutral / no effect Full minus green -99% --> -1% Neutral / no effect 1% --> 99% Full plus green	000 ÷ 010 011 ÷ 020 021 ÷ 119 120 ÷ 145 146 ÷ 244 245 ÷ 255	000
	6	HUE FINE	000 ÷ 255	000
4	7	CROSSFADE FROM CCT TO COLOR 0÷100%	000 ÷ 255	000
	8	CROSSFADE FROM CCT TO COLOR FINE	000 ÷ 255	000
5	9	RED 0÷100%	000 ÷ 255	000

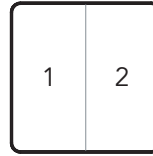
1M12CH	2M20CH	FUNCTION	DMX Value	Default
	10	RED FINE	000 ÷ 255	000
6	11	GREEN 0÷100%	000 ÷ 255	000
	12	GREEN FINE	000 ÷ 255	000
7	13	BLUE 0÷100%	000 ÷ 255	000
	14	BLUE FINE	000 ÷ 255	000
8	15	WHITE 0÷100%	000 ÷ 255	000
	16	WHITE FINE	000 ÷ 255	000
9	17	RESERVED	000 ÷ 255	000
10	18	COLOR MACRO Open Red Green Blue Cyan Magenta Yellow Dirty White Alice Blue Congo Blue Dark Steel Blue Deep Lavender Lilac Ting Daylight Blue Flame Red Bastard Amber Deep Orange Pale Gold Apricot Bright Blue Primary Green Special Lavender Pale Lavender Deep Golden Amber Medium Blue Bright Pink Mauve Dark Green Lee Green Dark Blue Light Blue Steel Blue Medium Blue-Green Peacock Blue Magenta Dark Pink Middle Rose Light Salmon English Rose Light Rose Orange Deep Amber Straw Light Amber Spring Yellow Dark Yellow Green Just Blue Sky Blue Lavender Light Lavender	000 ÷ 001 002 ÷ 003 004 ÷ 005 006 ÷ 007 008 ÷ 009 010 ÷ 011 012 ÷ 013 014 ÷ 015 016 ÷ 017 018 ÷ 019 020 ÷ 021 022 ÷ 023 024 ÷ 025 026 ÷ 027 028 ÷ 029 030 ÷ 031 032 ÷ 033 034 ÷ 035 036 ÷ 037 038 ÷ 039 040 ÷ 041 042 ÷ 043 044 ÷ 045 046 ÷ 047 048 ÷ 049 050 ÷ 051 052 ÷ 053 054 ÷ 055 056 ÷ 057 058 ÷ 059 060 ÷ 061 062 ÷ 063 064 ÷ 065 066 ÷ 067 068 ÷ 069 070 ÷ 071 072 ÷ 073 074 ÷ 075 076 ÷ 077 078 ÷ 079 080 ÷ 081 082 ÷ 083 084 ÷ 085 086 ÷ 087 088 ÷ 089 090 ÷ 091 092 ÷ 093 094 ÷ 095 096 ÷ 097 098 ÷ 099	

1M12CH	2M20CH	FUNCTION	DMX Value	Default
10	18	Pink Carnation	100 ÷ 101	
		Medium Pink	102 ÷ 103	
		Light Pink	104 ÷ 105	
		Sunset Red	106 ÷ 107	
		Dark Amber	108 ÷ 109	
		Gold Amber	110 ÷ 111	
		Medium Amber	112 ÷ 113	
		Fire	114 ÷ 115	
		Surprise Peach	116 ÷ 117	
		Straw Tint	118 ÷ 119	
		Medium Yellow	120 ÷ 121	
		Lee Minus Green	122 ÷ 123	
		Pale Gold	124 ÷ 125	
		Orange	126 ÷ 127	
		Deep Straw	128 ÷ 129	
		Rose Purple	130 ÷ 131	
		Deep Purple	132 ÷ 133	
		Soft Green	134 ÷ 135	
		Reserved	136 ÷ 211	
		2800K	212 ÷ 213	
		3000K	214 ÷ 215	
		3200K	216 ÷ 217	
		3400K	218 ÷ 219	
		3600K	220 ÷ 221	
		3800K	222 ÷ 223	
		4000K	224 ÷ 225	
		4200K	226 ÷ 227	
		4400K	228 ÷ 229	
		4600K	230 ÷ 231	
		4800K	232 ÷ 233	
		5000K	234 ÷ 235	
		5200K	236 ÷ 237	
		5400K	238 ÷ 239	
5600K	240 ÷ 241			
6000K	242 ÷ 243			
6500K	244 ÷ 245			
7000K	246 ÷ 247			
8000K	248 ÷ 249			
9000K	250 ÷ 251			
10000K	252 ÷ 253			
Full On	254 ÷ 255			
11	19	STROBE Open 1 flash/s -> 25 flashes/s	000-019 020-255	000

1M12CH	2M20CH	FUNCTION	DMX Value	Default
		CONTROL CHANNEL		
		SAFE	0 + 1	
		RGBW MODE	2 + 3	
		RGB MODE	4 + 5	
		CMY MODE	6 + 7	
		HSI MODE	8 + 9	
		BACKLIGHT ON	10 + 11	
		BACKLIGHT 10S	12 + 13	
		BACKLIGHTS 20S	14 + 15	
		BACKLIGHTS 30S	16 + 17	
		FLIP DISPLAY ON	18 + 19	
		FLIP DISPLAY OFF	20 + 21	
		KEY LOCK ON	22 + 23	
		KEY LOCK OFF	24 + 25	
		CALIBRATION ON	26 + 27	
		CALIBRATION OFF	28 + 29	
		DIMMER CURVE LINEAR	30 + 31	
		DIMMER CURVE S-CURVE	32 + 33	
		DIMMER CURVE SQUARE LAW	34 + 35	
		DIMMER CURVE INVERSE SQUARE LAW	36 + 37	
		DIMMER CURVE HIGH RES@LOW	38 + 39	
		DIMMER SPEED AUTO	40 + 41	
		DIMMER SPEED FAST	42 + 43	
		DIMMER SPEED MEDIUM	44 + 45	
		DIMMER SPEED SLOW	46 + 47	
		DIMMER END FADE OFF@END	48 + 49	
		DIMMER END SNAP OFF@END	50 + 51	
		LED FREQUENCY 600HZ	52 + 53	
		LED FREQUENCY 1200HZ	54 + 55	
		LED FREQUENCY 2000HZ	56 + 57	
		LED FREQUENCY 4000HZ	58 + 59	
		LED FREQUENCY 6000HZ	60 + 61	
		LED FREQUENCY 10KHZ	62 + 63	
		LED FREQUENCY 12KHZ	64 + 65	
		LED FREQUENCY 15KHZ	66 + 67	
		LED FREQUENCY 20KHZ	68 + 69	
		LED FREQUENCY 25KHZ	70 + 71	
		LED FREQUENCY 36KHZ	72 + 73	
		LED FREQUENCY 40KHZ	74 + 75	
12	20	RUN TIME 3 H	76 + 77	000
		RUN TIME 6 H	78 + 79	
		RUN TIME 8 H	80 + 81	
		RUN TIME 12 H	82 + 83	
		RUN TIME 18 H	84 + 85	
		IR SETUP ON	86 + 87	
		IR SETUP OFF	88 + 89	
		DMX FAULT HOLD	90 + 91	
		DMX HOLD BLACKOUT	92 + 93	
		DMX FAULT STAND ALONE	94 + 95	
		DMX FAULT EMERGENCY	96 + 97	
		AC FAULT NO ACTION	98 + 99	
		AC FAULT BLACKOUT	100 + 101	
		AC FAULT EMERGENCY	102 + 103	
		AC MODE NO ACTION	104 + 105	
		AC MODE BLACKOUT	106 + 107	
		BATTERY RECHARGE AUTO	108 + 109	
		BATTERY RECHARGE DISABLE	110 + 111	
		BATTERY RECHARGE ENABLE	112 + 113	
		TUNGSTEN EMULATION ON	114 + 115	
		TUNGSTEN EMULATION OFF	116 + 117	
		RESERVED	118 + 119	
		RESERVED	120 + 121	
		INVERT MAPPING OFF	122 + 123	
		INVERT MAPPING ON	124 + 125	
		STAND ALONE MASTER	126 + 127	
		STAND ALONE MASTER NO DMX	128 + 129	
		STAND ALONE SLAVE	130 + 131	
		STAND ALONE EFFECTS	132 + 133	
		STAND ALONE SOURCE EMULATION	134 + 135	
		STAND ALONE CCT	136 + 137	
		STAND ALONE HSI	138 + 139	
		STAND ALONE FIXED COLORS	140 + 141	
		STAND ALONE WHITE PRESETS	142 + 143	
		STAND ALONE COLOR MACRO	144 + 145	
		STAND ALONE MANUAL COLORS	146 + 147	
		STAND ALONE XY	148 + 149	
		STAND ALONE USER PRESETS	150 + 151	
		RESERVED	152 + 253	
		RESET ALL CHANNELS CONTROLLED	254 + 255	

PIXEL LAYOUT

FILM
3M17CH and 4M33CH



3M17CH	4M33CH	FUNCTION	DMX Value	Default
1	1	PIXEL 1 DIMMER 0÷100%	000 ÷ 255	000
	2	PIXEL 1 DIMMER FINE	000 ÷ 255	000
2	3	PIXEL 1 CCT 2800K - 3000K 3000K - 3200K 3200K - 3400K 3400K - 3600K 3600K - 3800K 3800K - 4000K 4000K - 4200K 4200K - 4400K 4400K - 4600K 4600K - 4800K 4800K - 5000K 5000K - 5200K 5200K - 5400K 5400K - 5600K 5600K - 5800K 5800K - 6000K 6000K - 6200K 6200K - 6400K 6400K - 6600K 6600K - 6800K 6800K - 7000K 7000K - 7200K 7200K - 7400K 7400K - 7600K 7600K - 7800K 7800K - 8000K 8000K - 8200K 8200K - 8400K 8400K - 8600K 8600K - 8800K 8800K - 9000K 9000K - 9200K 9200K - 9400K 9400K - 9600K 9600K - 9800K 9800K - 10000K	000 ÷ 007 007 ÷ 014 014 ÷ 021 021 ÷ 028 028 ÷ 035 035 ÷ 042 042 ÷ 049 049 ÷ 056 056 ÷ 063 063 ÷ 070 070 ÷ 077 077 ÷ 084 084 ÷ 091 091 ÷ 098 098 ÷ 105 105 ÷ 112 112 ÷ 119 119 ÷ 126 126 ÷ 133 133 ÷ 140 140 ÷ 147 147 ÷ 154 154 ÷ 161 161 ÷ 168 168 ÷ 175 175 ÷ 182 182 ÷ 189 189 ÷ 196 196 ÷ 203 203 ÷ 210 210 ÷ 217 217 ÷ 224 224 ÷ 231 231 ÷ 238 238 ÷ 245 245 ÷ 255	000
	4	PIXEL 1 CCT FINE	000 ÷ 255	000
3	5	PIXEL 1 HUE Neutral / no effect Full minus green -99% --> -1% Neutral / no effect 1% --> 99% Full plus green	000 ÷ 010 011 ÷ 020 021 ÷ 119 120 ÷ 145 146 ÷ 244 245 ÷ 255	000
	6	PIXEL 1 HUE FINE	000 ÷ 255	000
4	7	PIXEL 1 CROSSFADE FROM CCT TO COLOR 0÷100%	000 ÷ 255	000
	8	PIXEL 1 CROSSFADE FROM CCT TO COLOR FINE	000 ÷ 255	000
5	9	PIXEL 1 RED 0÷100%	000 ÷ 255	000

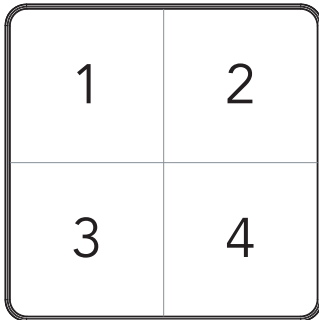
3M17CH	4M33CH	FUNCTION	DMX Value	Default
	10	PIXEL 1 RED FINE	000 ÷ 255	000
6	11	PIXEL 1 GREEN 0÷100%	000 ÷ 255	000
	12	PIXEL 1 GREEN FINE	000 ÷ 255	000
7	13	PIXEL 1 BLUE 0÷100%	000 ÷ 255	000
	14	PIXEL 1 BLUE FINE	000 ÷ 255	000
8	15	PIXEL 1 WHITE 0÷100%	000 ÷ 255	000
	16	PIXEL 1 WHITE FINE	000 ÷ 255	000
9	17	PIXEL 2 DIMMER 0÷100%	000 ÷ 255	000
	18	PIXEL 2 DIMMER FINE	000 ÷ 255	000
10	19	PIXEL 2 CCT 2800K - 3000K 3000K - 3200K 3200K - 3400K 3400K - 3600K 3600K - 3800K 3800K - 4000K 4000K - 4200K 4200K - 4400K 4400K - 4600K 4600K - 4800K 4800K - 5000K 5000K - 5200K 5200K - 5400K 5400K - 5600K 5600K - 5800K 5800K - 6000K 6000K - 6200K 6200K - 6400K 6400K - 6600K 6600K - 6800K 6800K - 7000K 7000K - 7200K 7200K - 7400K 7400K - 7600K 7600K - 7800K 7800K - 8000K 8000K - 8200K 8200K - 8400K 8400K - 8600K 8600K - 8800K 8800K - 9000K 9000K - 9200K 9200K - 9400K 9400K - 9600K 9600K - 9800K 9800K - 10000K	000 ÷ 007 007 ÷ 014 014 ÷ 021 021 ÷ 028 028 ÷ 035 035 ÷ 042 042 ÷ 049 049 ÷ 056 056 ÷ 063 063 ÷ 070 070 ÷ 077 077 ÷ 084 084 ÷ 091 091 ÷ 098 098 ÷ 105 105 ÷ 112 112 ÷ 119 119 ÷ 126 126 ÷ 133 133 ÷ 140 140 ÷ 147 147 ÷ 154 154 ÷ 161 161 ÷ 168 168 ÷ 175 175 ÷ 182 182 ÷ 189 189 ÷ 196 196 ÷ 203 203 ÷ 210 210 ÷ 217 217 ÷ 224 224 ÷ 231 231 ÷ 238 238 ÷ 245 245 ÷ 255	000
	20	PIXEL 2 CCT FINE	000 ÷ 255	000
11	21	PIXEL 2 HUE Neutral / no effect Full minus green -99% --> -1% Neutral / no effect 1% --> 99% Full plus green	000 ÷ 010 011 ÷ 020 021 ÷ 119 120 ÷ 145 146 ÷ 244 245 ÷ 255	000
	22	PIXEL 2 HUE FINE	000 ÷ 255	000
12	23	PIXEL 2 CROSSFADE FROM CCT TO COLOR 0÷100%	000 ÷ 255	000
	24	PIXEL 2 CROSSFADE FROM CCT TO COLOR FINE	000 ÷ 255	000

3M17CH	4M33CH	FUNCTION	DMX Value	Default
13	25	PIXEL 2 RED 0÷100%	000 ÷ 255	000
	26	PIXEL 2 RED FINE	000 ÷ 255	000
14	27	PIXEL 2 GREEN 0÷100%	000 ÷ 255	000
	28	PIXEL 2 GREEN FINE	000 ÷ 255	000
15	29	PIXEL 2 BLUE 0÷100%	000 ÷ 255	000
	30	PIXEL 2 BLUE FINE	000 ÷ 255	000
16	31	PIXEL 2 WHITE 0÷100%	000 ÷ 255	000
	32	PIXEL 2 WHITE FINE	000 ÷ 255	000

3M17CH	4M33CH	FUNCTION	DMX Value	Default
17	33	CONTROL CHANNEL		
		SAFE	0 + 1	
		RGBW MODE	2 + 3	
		RGB MODE	4 + 5	
		CMY MODE	6 + 7	
		HSI MODE	8 + 9	
		BACKLIGHT ON	10 + 11	
		BACKLIGHT 10S	12 + 13	
		BACKLIGHTS 20S	14 + 15	
		BACKLIGHTS 30S	16 + 17	
		FLIP DISPLAY ON	18 + 19	
		FLIP DISPLAY OFF	20 + 21	
		KEY LOCK ON	22 + 23	
		KEY LOCK OFF	24 + 25	
		CALIBRATION ON	26 + 27	
		CALIBRATION OFF	28 + 29	
		DIMMER CURVE LINEAR	30 + 31	
		DIMMER CURVE S-CURVE	32 + 33	
		DIMMER CURVE SQUARE LAW	34 + 35	
		DIMMER CURVE INVERSE SQUARE LAW	36 + 37	
		DIMMER CURVE HIGH RES@LOW	38 + 39	
		DIMMER SPEED AUTO	40 + 41	
		DIMMER SPEED FAST	42 + 43	
		DIMMER SPEED MEDIUM	44 + 45	
		DIMMER SPEED SLOW	46 + 47	
		DIMMER END FADE OFF@END	48 + 49	
		DIMMER END SNAP OFF@END	50 + 51	
		LED FREQUENCY 600HZ	52 + 53	
		LED FREQUENCY 1200HZ	54 + 55	
		LED FREQUENCY 2000HZ	56 + 57	
		LED FREQUENCY 4000HZ	58 + 59	
		LED FREQUENCY 6000HZ	60 + 61	
		LED FREQUENCY 10KHZ	62 + 63	
		LED FREQUENCY 12KHZ	64 + 65	
		LED FREQUENCY 15KHZ	66 + 67	
		LED FREQUENCY 20KHZ	68 + 69	
		LED FREQUENCY 25KHZ	70 + 71	
		LED FREQUENCY 36KHZ	72 + 73	
		LED FREQUENCY 40KHZ	74 + 75	
		RUN TIME 3 H	76 + 77	000
		RUN TIME 6 H	78 + 79	
		RUN TIME 8 H	80 + 81	
		RUN TIME 12 H	82 + 83	
		RUN TIME 18 H	84 + 85	
		IR SETUP ON	86 + 87	
		IR SETUP OFF	88 + 89	
		DMX FAULT HOLD	90 + 91	
		DMX HOLD BLACKOUT	92 + 93	
		DMX FAULT STAND ALONE	94 + 95	
		DMX FAULT EMERGENCY	96 + 97	
		AC FAULT NO ACTION	98 + 99	
		AC FAULT BLACKOUT	100 + 101	
AC FAULT EMERGENCY	102 + 103			
AC MODE NO ACTION	104 + 105			
AC MODE BLACKOUT	106 + 107			
BATTERY RECHARGE AUTO	108 + 109			
BATTERY RECHARGE DISABLE	110 + 111			
BATTERY RECHARGE ENABLE	112 + 113			
TUNGSTEN EMULATION ON	114 + 115			
TUNGSTEN EMULATION OFF	116 + 117			
RESERVED	118 + 119			
RESERVED	120 + 121			
INVERT MAPPING OFF	122 + 123			
INVERT MAPPING ON	124 + 125			
STAND ALONE MASTER	126 + 127			
STAND ALONE MASTER NO DMX	128 + 129			
STAND ALONE SLAVE	130 + 131			
STAND ALONE EFFECTS	132 + 133			
STAND ALONE SOURCE EMULATION	134 + 135			
STAND ALONE CCT	136 + 137			
STAND ALONE HSI	138 + 139			
STAND ALONE FIXED COLORS	140 + 141			
STAND ALONE WHITE PRESETS	142 + 143			
STAND ALONE COLOR MACRO	144 + 145			
STAND ALONE MANUAL COLORS	146 + 147			
STAND ALONE XY	148 + 149			
STAND ALONE USER PRESETS	150 + 151			
RESERVED	152 + 253			
RESET ALL CHANNELS CONTROLLED	254 + 255			

FILM
5M33CH and 6M65CH

Ch	5M33CH	Ch	6M65CH
1	CONTROL	1	CONTROL
2	PIXEL 1 DIMMER	2	PIXEL 1 DIMMER
3	PIXEL 1 CCT	3	PIXEL 1 DIMMER FINE
4	PIXEL 1 HUE	4	PIXEL 1 CCT
5	PIXEL 1 CROSSFADE FROM CCT TO COLOR	5	PIXEL 1 CCT FINE
6	PIXEL 1 RED	6	PIXEL 1 HUE
7	PIXEL 1 GREEN	7	PIXEL 1 HUE FINE
8	PIXEL 1 BLUE	8	PIXEL 1 CROSSFADE FROM CCT TO COLOR
9	PIXEL 1 WHITE	9	PIXEL 1 CROSSFADE FROM CCT TO COLOR FINE
10	PIXEL 2 DIMMER	10	PIXEL 1 RED
	...	11	PIXEL 1 RED FINE
26	PIXEL 4 DIMMER	12	PIXEL 1 GREEN
27	PIXEL 4 CCT	13	PIXEL 1 GREEN FINE
28	PIXEL 4 HUE	14	PIXEL 1 BLUE
29	PIXEL 4 CROSSFADE FROM CCT TO COLOR	15	PIXEL 1 BLUE FINE
30	PIXEL 4 RED	16	PIXEL 1 WHITE
31	PIXEL 4 GREEN	17	PIXEL 1 WHITE FINE
32	PIXEL 4 BLUE	18	PIXEL 2 DIMMER
33	PIXEL 4 WHITE
PIXEL LAYOUT		50	PIXEL 4 DIMMER
		51	PIXEL 4 DIMMER FINE
		52	PIXEL 4 CCT
		53	PIXEL 4 CCT FINE
		54	PIXEL 4 HUE
		55	PIXEL 4 HUE FINE
		56	PIXEL 4 CROSSFADE FROM CCT TO COLOR
		57	PIXEL 4 CROSSFADE FROM CCT TO COLOR FINE
		58	PIXEL 4 RED
		59	PIXEL 4 RED FINE
		60	PIXEL 4 GREEN
		61	PIXEL 4 GREEN FINE
		62	PIXEL 4 BLUE
63	PIXEL 4 BLUE FINE		
64	PIXEL 4 WHITE		
65	PIXEL 4 WHITE FINE		



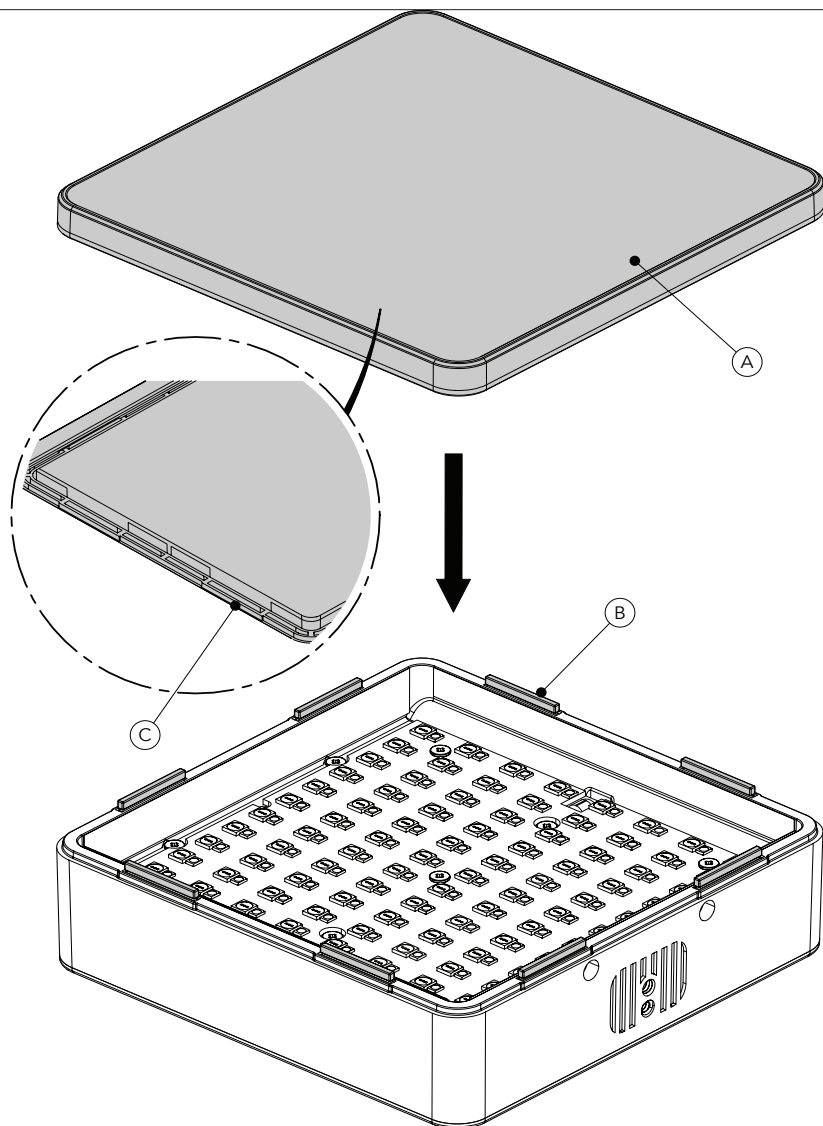
5M33CH	6M65CH	FUNCTION	DMX Value	Default
1	1	CONTROL CHANNEL		
		SAFE	0 + 1	
		RGBW MODE	2 + 3	
		RGB MODE	4 + 5	
		CMY MODE	6 + 7	
		HSI MODE	8 + 9	
		BACKLIGHT ON	10 + 11	
		BACKLIGHT 10S	12 + 13	
		BACKLIGHTS 20S	14 + 15	
		BACKLIGHTS 30S	16 + 17	
		FLIP DISPLAY ON	18 + 19	
		FLIP DISPLAY OFF	20 + 21	
		KEY LOCK ON	22 + 23	
		KEY LOCK OFF	24 + 25	
		CALIBRATION ON	26 + 27	
		CALIBRATION OFF	28 + 29	
		DIMMER CURVE LINEAR	30 + 31	
		DIMMER CURVE S-CURVE	32 + 33	
		DIMMER CURVE SQUARE LAW	34 + 35	
		DIMMER CURVE INVERSE SQUARE LAW	36 + 37	
		DIMMER CURVE HIGH RES@LOW	38 + 39	
		DIMMER SPEED AUTO	40 + 41	
		DIMMER SPEED FAST	42 + 43	
		DIMMER SPEED MEDIUM	44 + 45	
		DIMMER SPEED SLOW	46 + 47	
		DIMMER END FADE OFF@END	48 + 49	
		DIMMER END SNAP OFF@END	50 + 51	
		LED FREQUENCY 600HZ	52 + 53	
		LED FREQUENCY 1200HZ	54 + 55	
		LED FREQUENCY 2000HZ	56 + 57	
		LED FREQUENCY 4000HZ	58 + 59	
		LED FREQUENCY 6000HZ	60 + 61	
		LED FREQUENCY 10KHZ	62 + 63	
		LED FREQUENCY 12KHZ	64 + 65	
		LED FREQUENCY 15KHZ	66 + 67	
		LED FREQUENCY 20KHZ	68 + 69	
		LED FREQUENCY 25KHZ	70 + 71	
		LED FREQUENCY 36KHZ	72 + 73	
		LED FREQUENCY 40KHZ	74 + 75	
		RUN TIME 3 H	76 + 77	
		RUN TIME 6 H	78 + 79	000
		RUN TIME 8 H	80 + 81	
		RUN TIME 12 H	82 + 83	
		RUN TIME 18 H	84 + 85	
		IR SETUP ON	86 + 87	
		IR SETUP OFF	88 + 89	
		DMX FAULT HOLD	90 + 91	
		DMX HOLD BLACKOUT	92 + 93	
		DMX FAULT STAND ALONE	94 + 95	
		DMX FAULT EMERGENCY	96 + 97	
		AC FAULT NO ACTION	98 + 99	
		AC FAULT BLACKOUT	100 + 101	
AC FAULT EMERGENCY	102 + 103			
AC MODE NO ACTION	104 + 105			
AC MODE BLACKOUT	106 + 107			
BATTERY RECHARGE AUTO	108 + 109			
BATTERY RECHARGE DISABLE	110 + 111			
BATTERY RECHARGE ENABLE	112 + 113			
TUNGSTEN EMULATION ON	114 + 115			
TUNGSTEN EMULATION OFF	116 + 117			
RESERVED	118 + 119			
RESERVED	120 + 121			
INVERT MAPPING OFF	122 + 123			
INVERT MAPPING ON	124 + 125			
STAND ALONE MASTER	126 + 127			
STAND ALONE MASTER NO DMX	128 + 129			
STAND ALONE SLAVE	130 + 131			
STAND ALONE EFFECTS	132 + 133			
STAND ALONE SOURCE EMULATION	134 + 135			
STAND ALONE CCT	136 + 137			
STAND ALONE HSI	138 + 139			
STAND ALONE FIXED COLORS	140 + 141			
STAND ALONE WHITE PRESETS	142 + 143			
STAND ALONE COLOR MACRO	144 + 145			
STAND ALONE MANUAL COLORS	146 + 147			
STAND ALONE XY	148 + 149			
STAND ALONE USER PRESETS	150 + 151			
RESERVED	152 + 253			
RESET ALL CHANNELS CONTROLLED	254 + 255			

5M33CH	6M65CH	FUNCTION	DMX Value	Default
2	2	PIXEL 1 DIMMER 0÷100%	000 ÷ 255	000
	3	PIXEL 1 DIMMER FINE	000 ÷ 255	000
3	4	PIXEL 1 CCT 2200÷15000K	000 ÷ 255	000
	5	PIXEL 1 CCT FINE	000 ÷ 255	000
4	6	PIXEL 1 HUE Neutral -100 to -1 Green Neutral +1 to +100 Green	000 ÷ 010 011 ÷ 133 134 135 ÷ 255	000
	7	PIXEL 1 HUE FINE	000 ÷ 255	000
5	8	PIXEL 1 CROSSFADE FROM CCT TO COLOR 0÷100%	000 ÷ 255	000
	9	PIXEL 1 CROSSFADE FROM CCT TO COLOR FINE	000 ÷ 255	000
6	10	PIXEL 1 RED 0÷100%	000 ÷ 255	000
	11	PIXEL 1 RED FINE	000 ÷ 255	000
7	12	PIXEL 1 GREEN 0÷100%	000 ÷ 255	000
	13	PIXEL 1 GREEN FINE	000 ÷ 255	000
8	14	PIXEL 1 BLUE 0÷100%	000 ÷ 255	000
	15	PIXEL 1 BLUE FINE	000 ÷ 255	000
9	16	PIXEL 1 WHITE 0÷100%	000 ÷ 255	000
	17	PIXEL 1 WHITE FINE	000 ÷ 255	000
10	18	PIXEL 2 DIMMER 0÷100%	000 ÷ 255	000
...		
26	50	PIXEL 4 DIMMER 0÷100%	000 ÷ 255	000
	51	PIXEL 4 DIMMER FINE	000 ÷ 255	000
27	52	PIXEL 4 CCT 2200÷15000K	000 ÷ 255	000
	53	PIXEL 4 CCT FINE	000 ÷ 255	000
28	54	PIXEL 4 HUE Neutral -100 to -1 Green Neutral +1 to +100 Green	000 ÷ 010 011 ÷ 133 134 135 ÷ 255	000
	55	PIXEL 4 HUE FINE	000 ÷ 255	000
29	56	PIXEL 4 CROSSFADE FROM CCT TO COLOR 0÷100%	000 ÷ 255	000
	57	PIXEL 4 CROSSFADE FROM CCT TO COLOR FINE	000 ÷ 255	000
30	58	PIXEL 4 RED 0÷100%	000 ÷ 255	000
	59	PIXEL 4 RED FINE	000 ÷ 255	000

5M33CH	6M65CH	FUNCTION	DMX Value	Default
31	60	PIXEL 4 GREEN 0÷100%	000 ÷ 255	000
	61	PIXEL 4 GREEN FINE	000 ÷ 255	000
32	62	PIXEL 4 BLUE 0÷100%	000 ÷ 255	000
	63	PIXEL 4 BLUE FINE	000 ÷ 255	000
33	64	PIXEL 4 WHITE 0÷100%	000 ÷ 255	000
	65	PIXEL 4 WHITE FINE	000 ÷ 255	000

14 - ACCESSORIES INSTALLATION

FRONT INTENSIFIED / HIGH / MEDIUM / LOW DIFFUSION FRAME (CODE ENPTWCFILTERINT / ENPTWCFILTERHD / ENPTWCFILTERMD / ENPTWCFILTERINTLD - OPTIONAL)

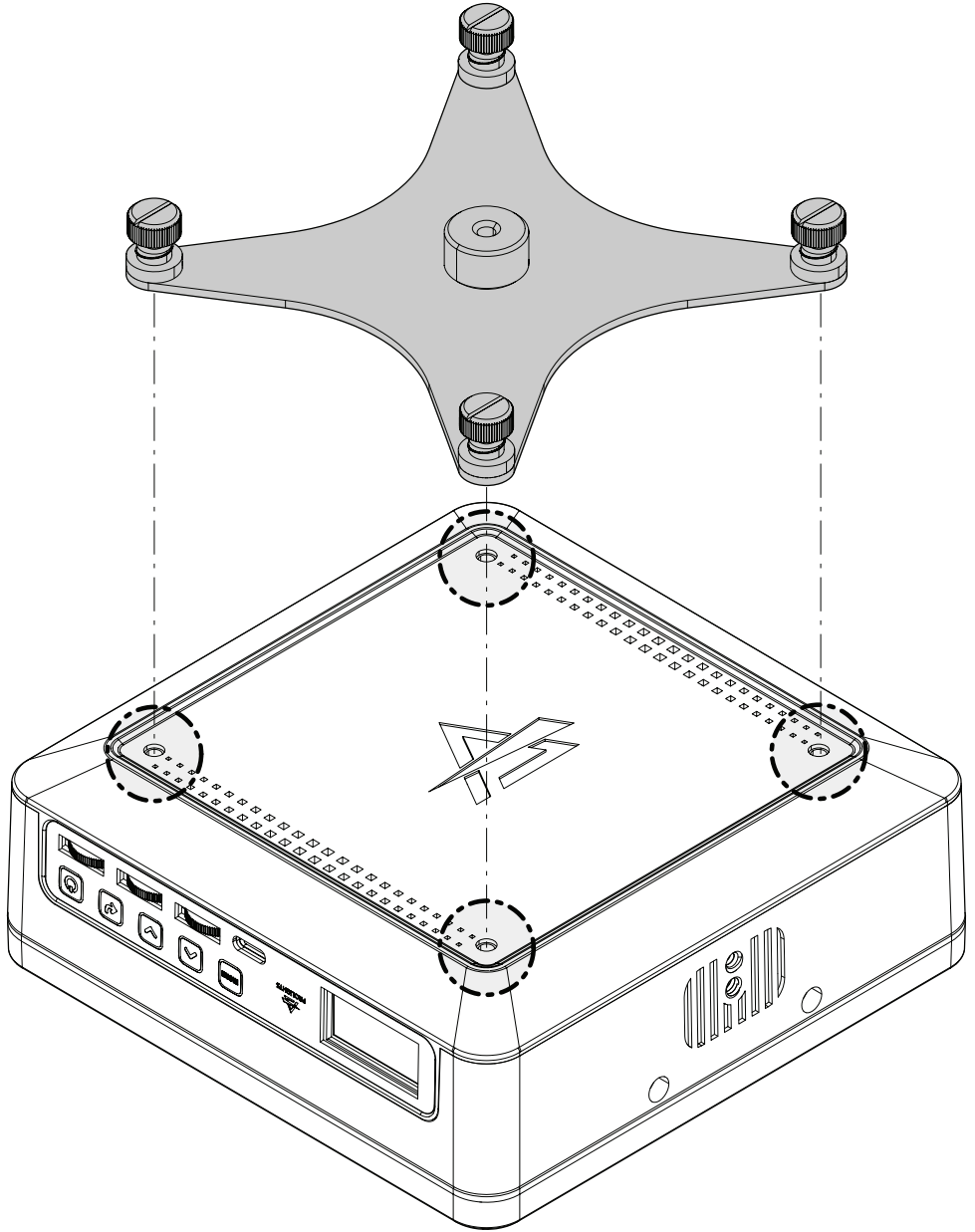


The front diffusion filter (A) is mounted magnetically. It is enough to bring it closer to the body of the projector.

Assembly is allowed through the magnets on the housing (B) and the inserts equipped on the front diffusion filter frame accessory (C).

Fig. 09

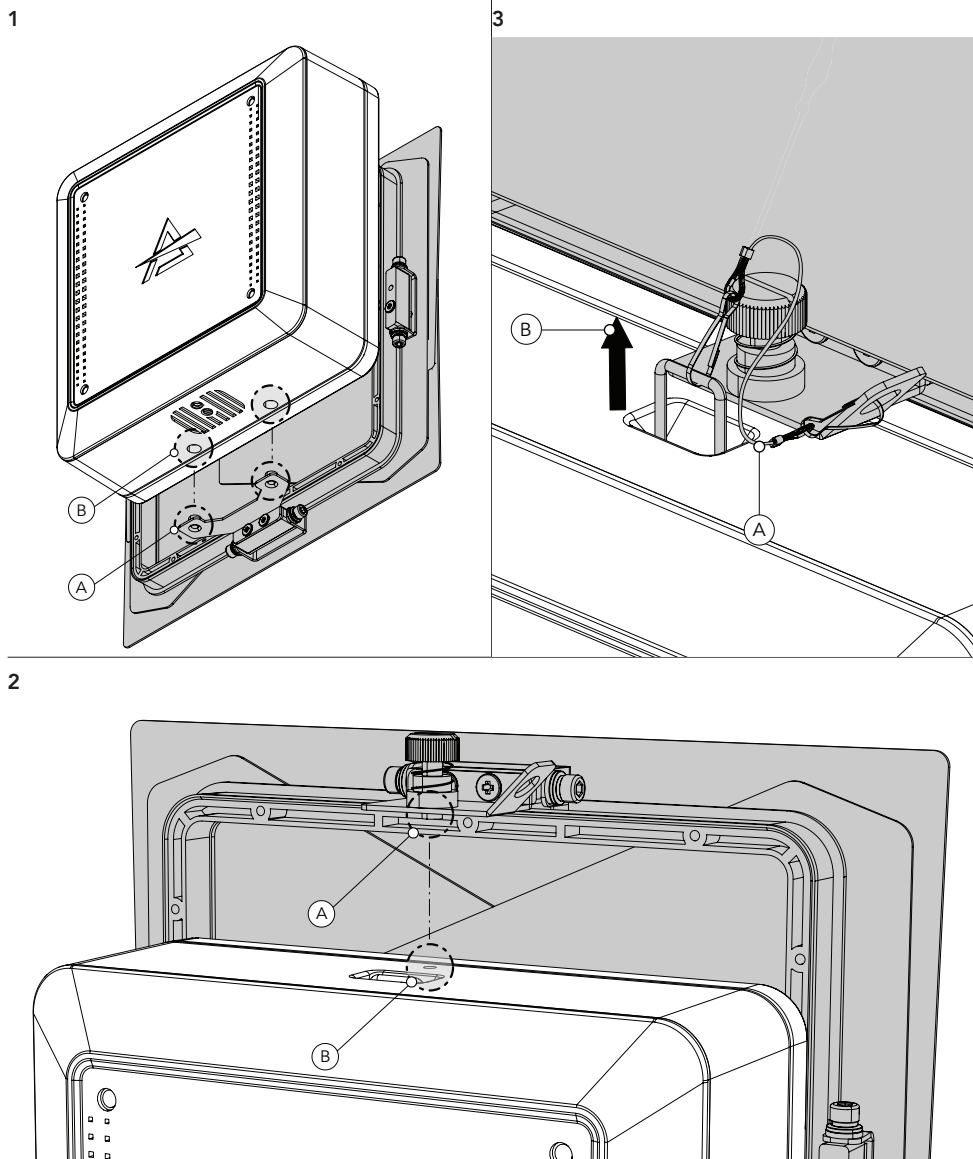
REAR METAL PLATE (CODE ENPTWCRMP - OPTIONAL)



Mount four M4 thread of the marked rear metal plate with the M4 holes of the rear housing of the unit.

Fig. 10

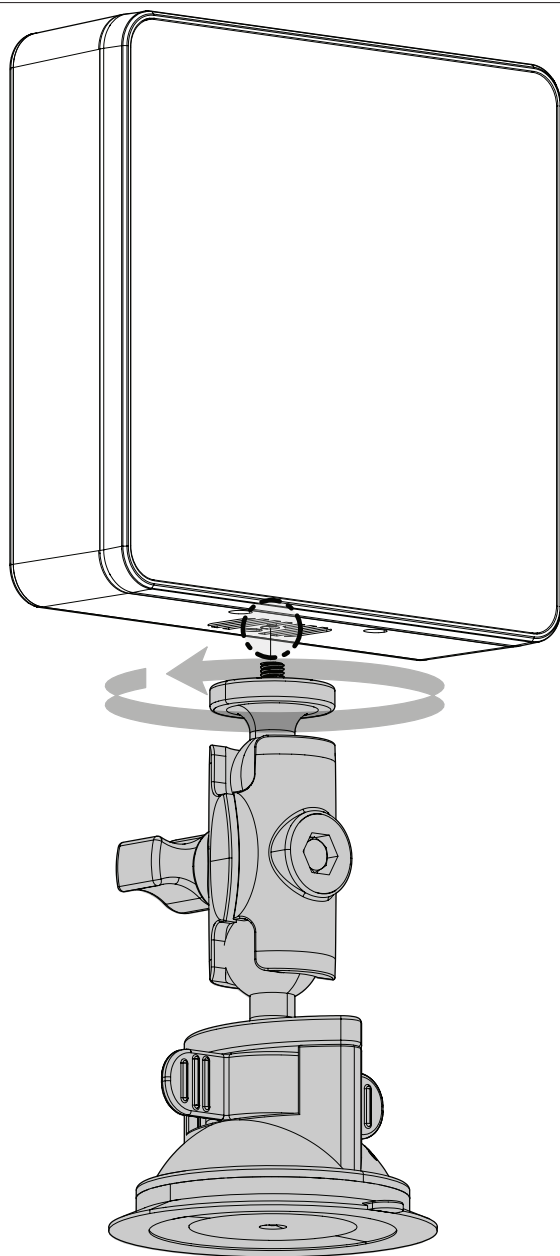
BARN DOOR (CODE ENPTWCBD - OPTIONAL)



To mount the barndoor accessory, proceed as follows:

1. Insert the two positioning and fixing pins on the hardware (A) into the two holes provided on the lower side of the unit (B).
2. Insert the thread on the hardware (A) into the hole provided on the upper side of the unit (B).
3. Pull out the loop of the unit with an object and couple the safety cable (A). Then adjust the angle of the four leaves.

Fig. 11



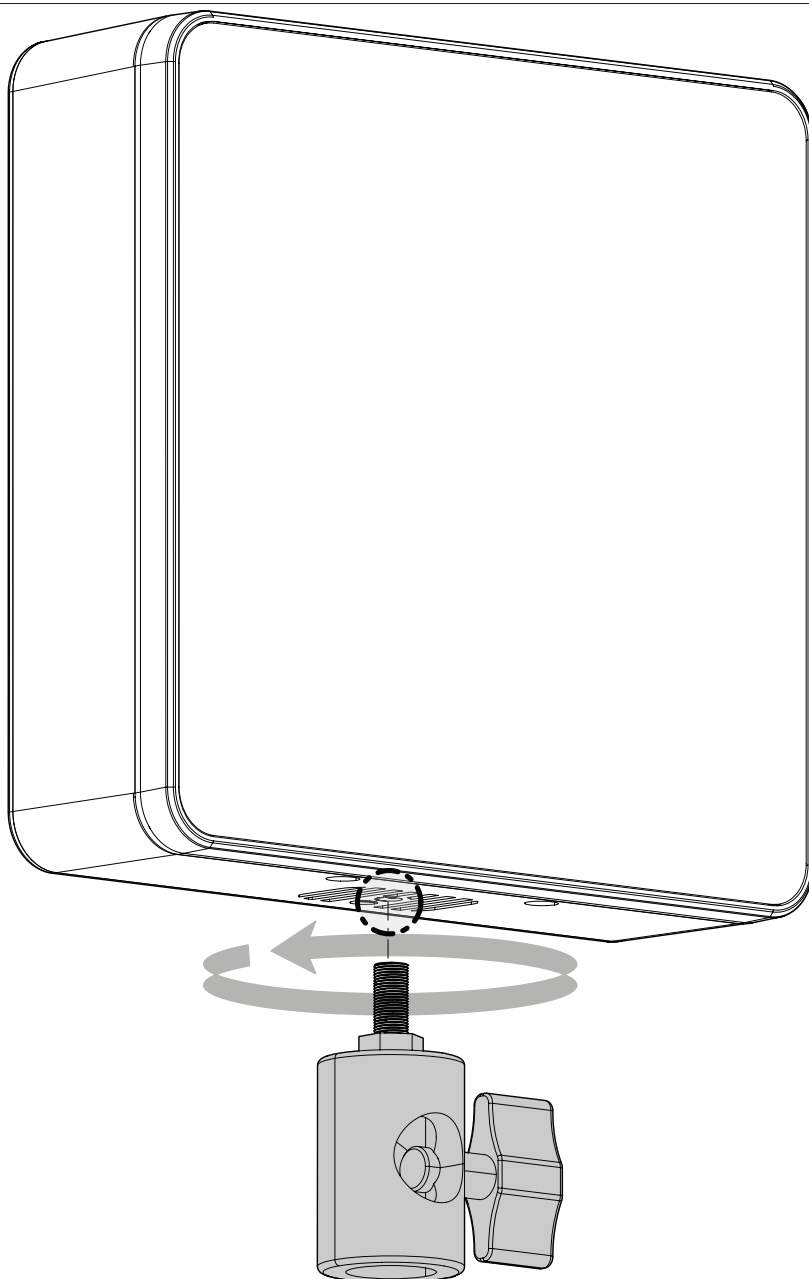
Screw the marked M5 thread of the accessory fixing system with the 1/4" hole on the unit.

NOTE: turn the handle clockwise to lock the inclination.

NOTE: turn the lever to the left to lock the suction cup.

Fig. 12

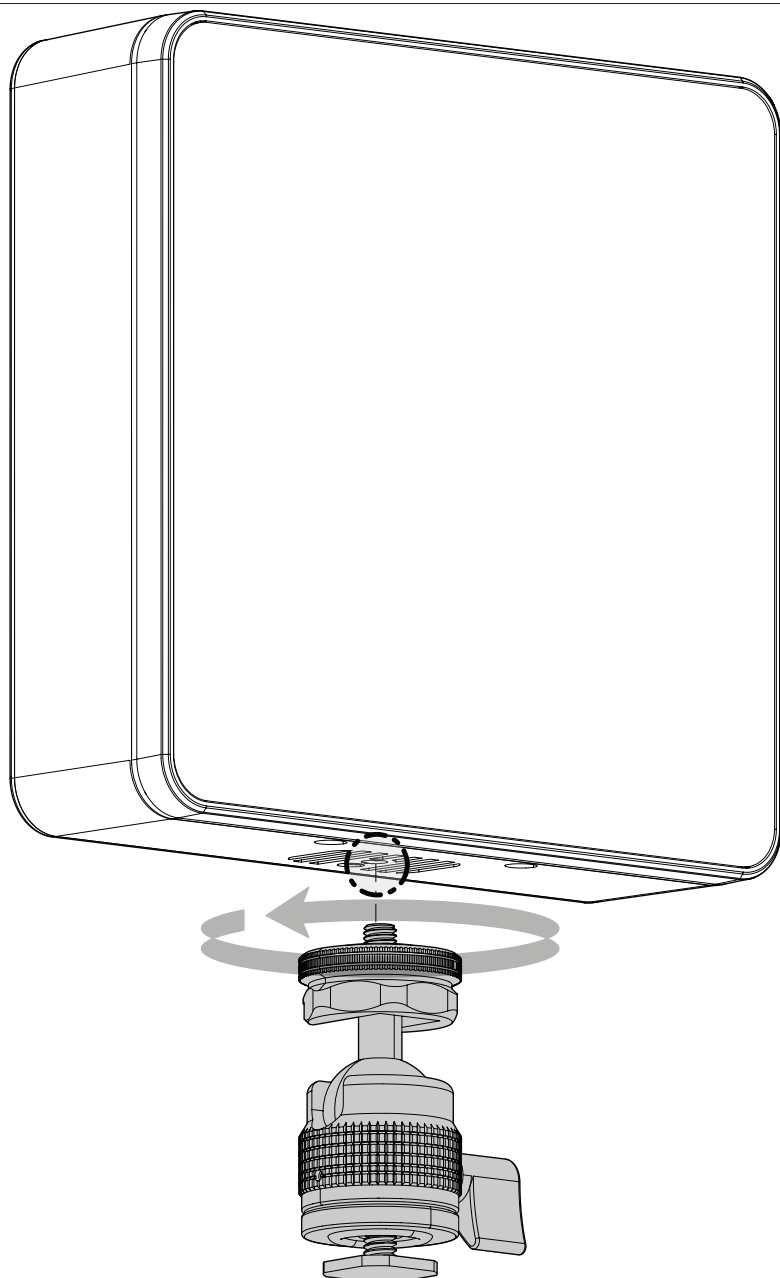
SPIGOT ADAPTER (CODE ENPTWCSA - OPTIONAL)



Screw the marked M5 thread on the accessory spigot adapter with the M5 hole on the unit.
NOTE: turn the handle clockwise to lock the spigot.

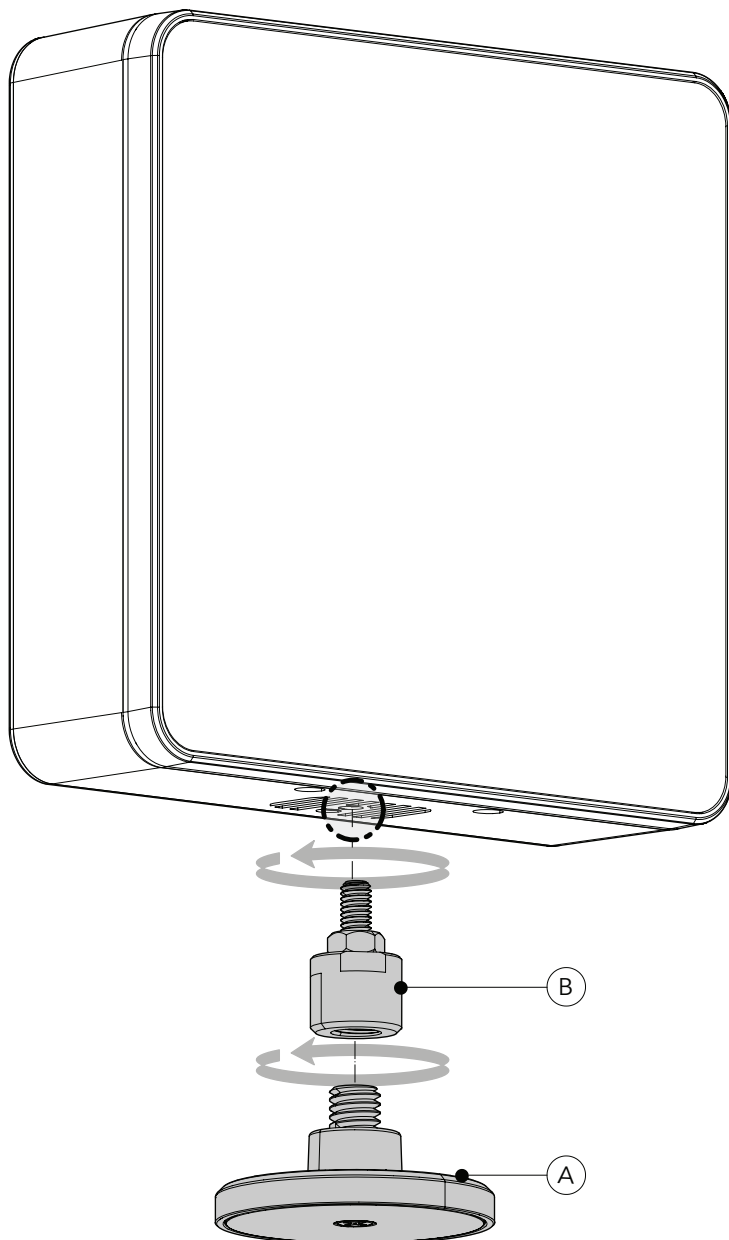
Fig. 13

ARTICULATED JOINT (CODE ENPTWCPAJ - OPTIONAL)



Screw the marked M5 thread of the accessory articulated joint with the 1/4" hole on the unit.
NOTE: use the handle to adjust the inclination.

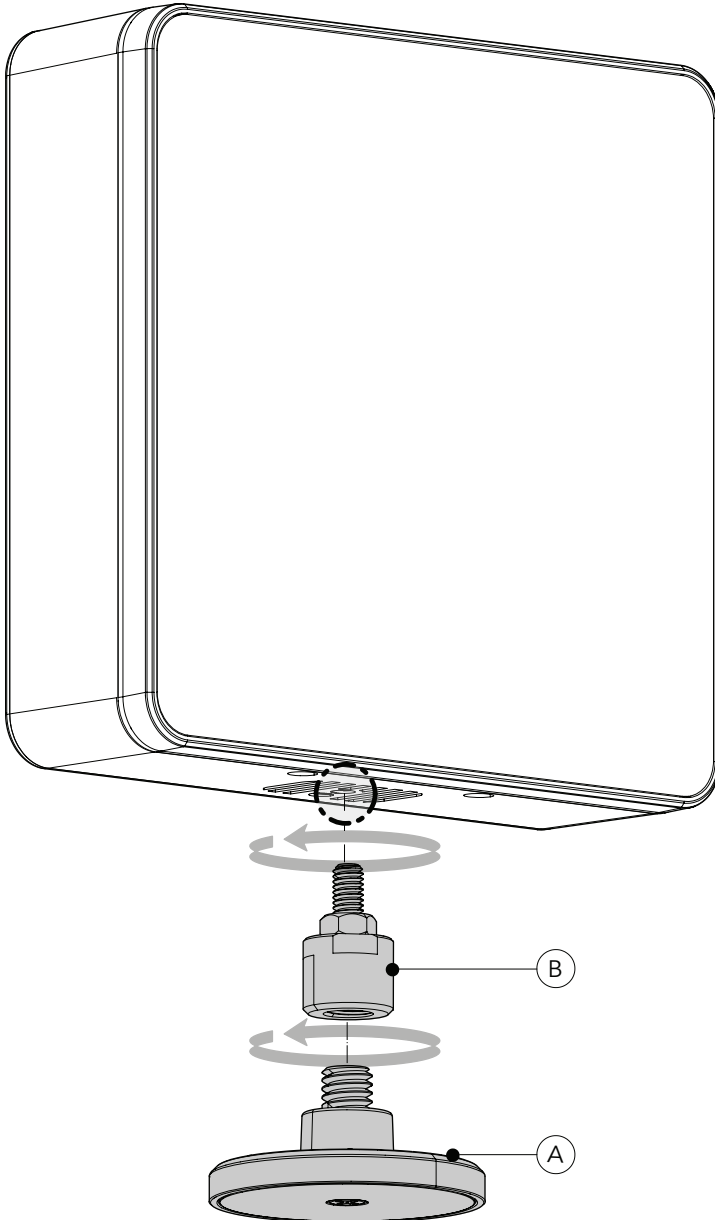
Fig. 14



Screw the M10 thread on the accessory ENPTWCMAG (A) with the M10 hole on the base of the accessory ENPTWCMAGDP (B).
Then, tighten the M5 thread on the ENPTWCMAG accessory with the M5 hole on the unit.

Fig. 15

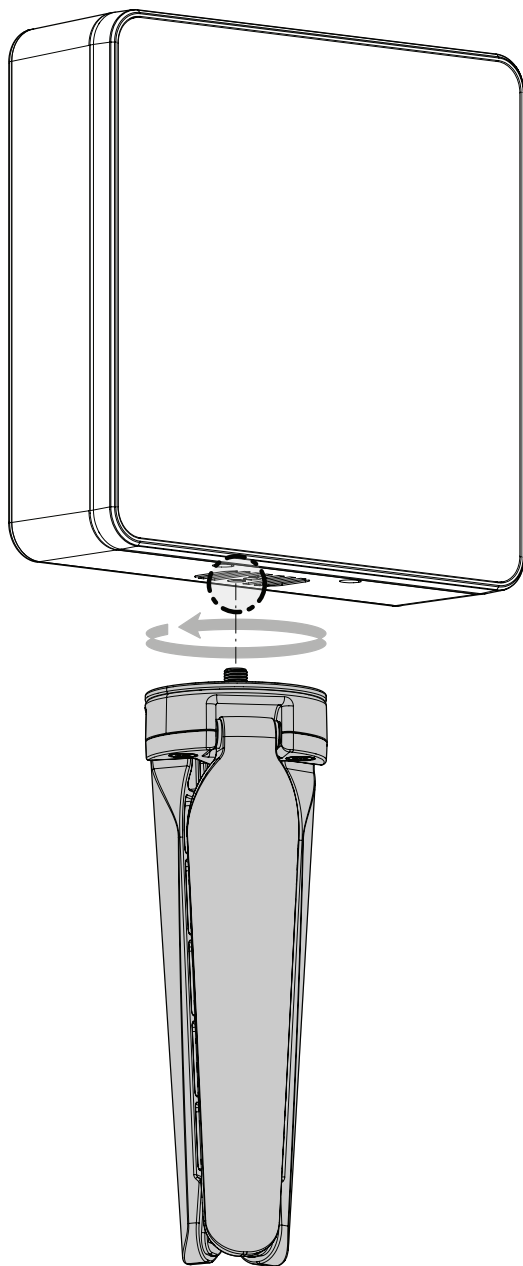
M10 TO M5 ADAPTER (CODE EST100MAGADP - OPTIONAL)



Screw the M10 thread on the accessory fixing system with magnet (A) with the M10 hole on the base of the accessory spigot adapter (B).

Then, tighten the 1/4" thread on the spigot adapter accessory with the 1/4" hole on the unit.

Fig. 16



Screw the marked M5 thread on the accessory tripod with the M5 hole on the unit.

Fig. 17

15 - MAINTENANCE

MAINTENANCE AND CLEANING THE PRODUCT

WARNING: Disconnect from the mains before starting any maintenance work

It is recommended to clean the front at regular intervals, from impurities caused by dust, smoke, or other particles to ensure that the light is radiated at maximum brightness.

- For cleaning, disconnect the main plug from the socket. Use a soft, clean cloth moistened with a mild detergent. Then carefully wipe the part dry. For cleaning other housing parts use only a soft, clean cloth. Never use a liquid, it might penetrate the unit and cause damage to it.
- The user must clean the product periodically to maintain optimum performance and cooling. The user may also upload firmware (product software) to the fixture via the DMX signal input port or USB port using firmware and instructions from PROLIGHTS.
- The frequency of such maintenance operations is to be performed according to various factors, such as the amount of the use and the condition of the installation environment (air humidity, presence of dust, salinity, etc.). It is recommended that the product is subject to annual service by a qualified technician for special maintenance involving at least the following procedures:
- General cleaning of internal parts.
- Restoring lubrication of all parts subject to friction, using lubricants specifically supplied by PROLIGHTS.
- General visual check of the internal components, cabling, mechanical parts, etc.
- Electrical, photometric and functional checks; eventual repairs.
- Cleaning the lenses. Only use neutral soap and water to clean the lenses, then dry it carefully with a soft, non-abrasive cloth.

WARNING: the use of alcohol or any other detergent could damage the lenses.

- All other service operations on the product must be carried out by PROLIGHTS, its approved service agents or trained and qualified personnel.
- It is PROLIGHTS policy to apply the strictest possible calibration procedures and use the best quality materials available to ensure optimum performance and the longest possible component lifetimes. However, optical components are subject to wear and tear over the life of the product, resulting in gradual changes in colours over many thousands of hours of use. The extent of wear and tear depends heavily on operating conditions and environment, so it is impossible to specify precisely whether and to what extent performance will be affected. However, you may eventually need to replace optical components if their characteristics are affected by wear and tear after an extended period of use and if you require fixtures to perform within very precise optical and colour parameters.
- Do not apply filters, lenses or other materials on lenses or other optical components. Use only accessories approved by PROLIGHTS.

REPLACING THE FUSE

WARNING: Before replacing the fuse, unplug the product from the mains.

- Remove the old fuse from the housing with a suitable screwdriver (anticlockwise) and replace it with one of the same type and of the same classification (T6.3 AL 250V).

VISUAL CHECK OF PRODUCT HOUSING

- The parts of the product cover/housing should be checked for eventual damages and breaking start at least every two months. In addition, especially the parts of the front lens holder have to be checked mechanically (by means of movement by the part) if it is firmly fastened to the fixture. If hint of a crack is found on some plastic part, do not use the product until the damaged part will be replaced.
- Cracks or another damages of the cover/housing parts can be caused by the product transportation or manipulation and also ageing process may influence materials.
- This checking is necessary for both fixed installations and preparing product for renting. Any free moving parts inside of the product, cracked cover/housing or any part of front lens not sitting properly in place need to be immediately replaced.

TROUBLESHOOTING

Problems	Possible causes	Checks and remedies
Product doesn't power ON	<ul style="list-style-type: none"> No power to the product. 	<ul style="list-style-type: none"> Check that power is switched ON and cables are plugged in.
	<ul style="list-style-type: none"> Fuse blown or internal fault. 	<ul style="list-style-type: none"> Check if the Fuse is intact and eventually replace it if necessary. Contact the PROLIGHTS Service or authorized service partner. Do not remove parts and/or covers, or carry out any repairs or service that are not described in this Safety and User Manual unless you have both authorization from PROLIGHTS and the service documentation.
Product reset correctly but does not respond correctly to the controller.	<ul style="list-style-type: none"> Bad signal connection. 	<ul style="list-style-type: none"> Inspect connections and cables. Fix eventual bad connections. Repair or replace damaged cables.
	<ul style="list-style-type: none"> Signal connection not terminated. 	<ul style="list-style-type: none"> Insert DMX termination plug in signal output socket of the last product on the signal line.
	<ul style="list-style-type: none"> Incorrect addressing of the product. 	<ul style="list-style-type: none"> Check the product address and control settings.
	<ul style="list-style-type: none"> One of the product is defective and is corrupting the signal transmission on the signal line. 	<ul style="list-style-type: none"> Unplug the XLR in and out connectors and connect them directly together to bypass one product at a time until normal operation is regained. Once found the error, have that fixture serviced by a qualified technician.
Timeout error after fixture reset.	<ul style="list-style-type: none"> One or more hardware components requires mechanical adjustments. 	<ul style="list-style-type: none"> Check product stored error messages for more information. Contact PROLIGHTS Service or an authorized service partner.
Mechanical effect loses position	<ul style="list-style-type: none"> Mechanical hardware require cleaning, adjustment or lubrication. 	<ul style="list-style-type: none"> Check product stored error messages for more information. Contact PROLIGHTS Service or an authorized service partner.
Light output turn OFF Intermittently	<ul style="list-style-type: none"> Fixture is too hot. 	<ul style="list-style-type: none"> Check product stored error messages. Allow product to cool. Clean the product and airflow filters. Reduce ambient temperature.
	<ul style="list-style-type: none"> Hardware failure (temperature sensor, fans, Light source...). 	<ul style="list-style-type: none"> Check product stored error messages for more information. Contact PROLIGHTS Service or an authorized service partner.
General low light intensity	<ul style="list-style-type: none"> Dirty lens assembly 	<ul style="list-style-type: none"> Clean the fixture regularly.
	<ul style="list-style-type: none"> Dirty or damaged filters 	<ul style="list-style-type: none"> Install lens assembly properly.

Contact an authorized service center in case of technical problems or not reported in the table can not be resolved by the procedure given in the table.



PROLIGHTS is a trademark of
MUSIC & LIGHTS S.r.l.
musiclights.it

Via A.Olivetti snc
04026 - Minturno (LT) ITALY
Tel: +39 0771 72190

prolights.it
support@prolights.it