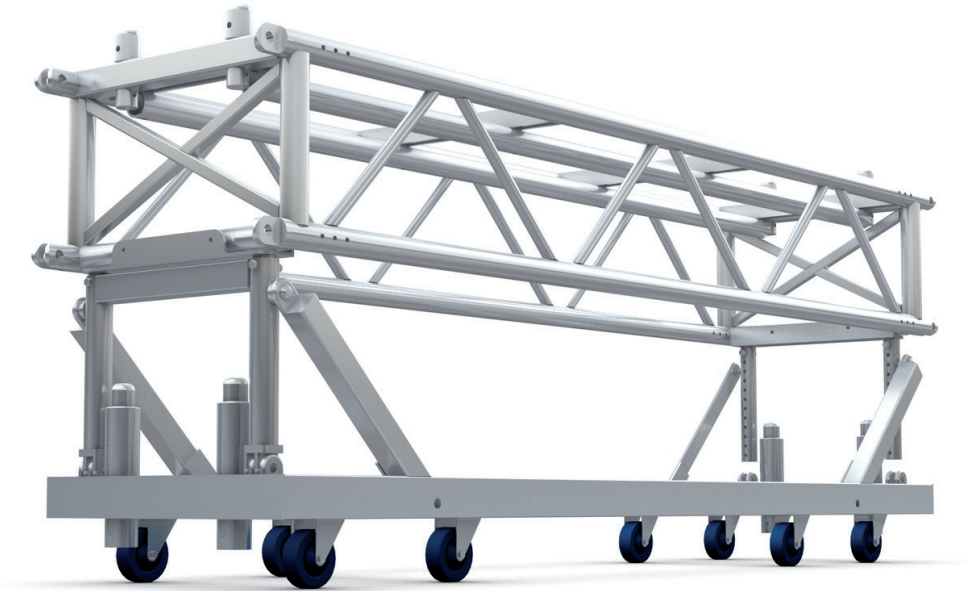


# GALAXY 240



## Truss (Standard Lengths)

PRODUCT CODE	DESCRIPTION	WT lbs
G240T120	10' section - truss	134
G240D120	10' section - dolly	162
G240T096	8' section - truss	116
G240D096	8' section - dolly	157

## Loading chart

Span (ft)	Swt (lb)	Uniform Dist. Loads		Center Point Loads	
		(lb)	Max. Deflection (in)	(lb)	Max. Deflection (in)
10	134	7050*	0.10	7050*	0.15
20	268	7460**	0.75	3730	0.61
30	402	4750	1.69	2375	1.38
40	536	3314+	3.00	1657	2.48
50	670	1794+	3.75	897	3.21
60	804	906+	4.50	453	4.02

**ATTENTION!** Loading figures show MAXIMUM LOADS between supports in addition to SELF WEIGHT of truss.

\* Denotes load limited by maximum unistrut capacity

\*\* Denotes load limited by maximum shear capacity

+ Denotes load limited by maximum deflection of span/160

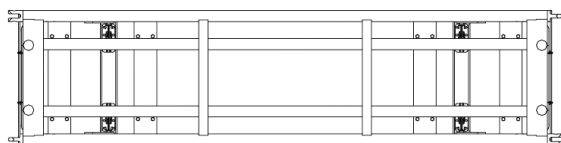
## General Information:

### TRUSS:

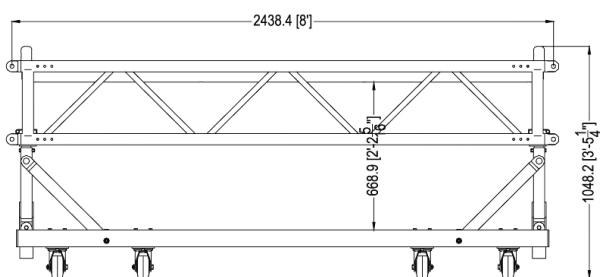
- Material: aluminum 6061T6 & stainless steel
- Your choice of Thomas SuperTruss fork or TOMCAT Edge connections
- Adjustable mounting bars for conventional or moving lights
- Removable stacking cup
- Available gates allow flexible designs
- Space saving 15" design allows for easy fixture pack
- High load capacity
- Ideal for touring or any venue

### DOLLY:

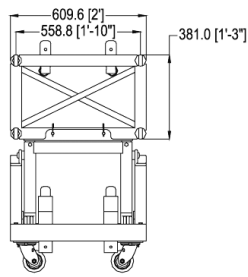
- Material: aluminum 6061T6
- Allows ample working area for fixtures
- Available spring dampening unit
- Dolly folds away & stacks
- 24" model makes for tighter truck pack
- Outside wheels for stability



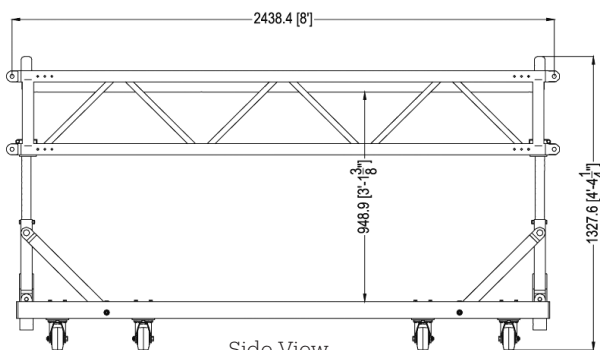
Plan View



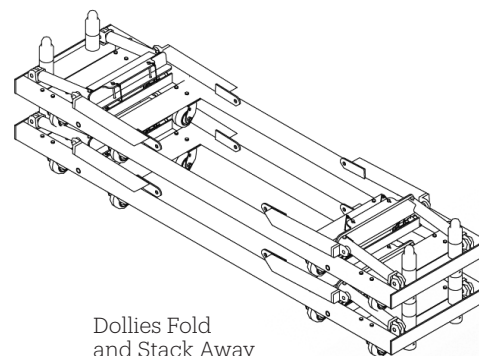
Side View  
Shortest Position



End View



Side View  
Tallest Position



Dollies Fold  
and Stack Away