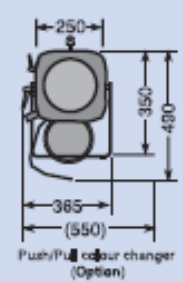
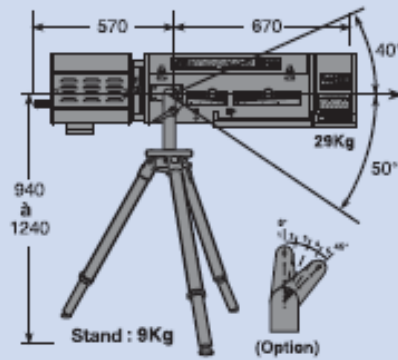
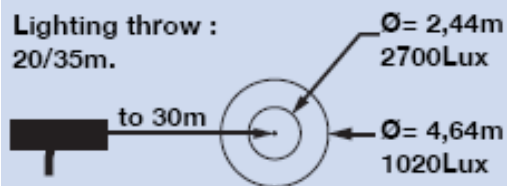


KORRIGAN 5/9°

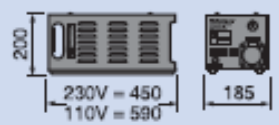
- 230/245V. 50Hz & 208V. 60Hz.
REF: 1011+ with manual dimmer.
REF: 1011+B DMX controlled dimmer.

- 100/110/120V. 60Hz
REF: 1011+C with manual dimmer.

Lighting throw :
20/35m.



- : 84Kg
- : 0,55m³



- Magnetic power supply**
- 230/245/208V. : 23Kg
 - 100/110/120V. : 34Kg