

VL6000 BEAM

Date: _____
Type: _____
Firm: _____
Name: _____
Project: _____

Designed specifically as the market-leading mid-air effects fixture, the Vari-Lite VL6000 Beam sets a new standard in its class. A large 356mm (14inch) front aperture - using a new exclusive ellipsoid reflector array system - produces a retro style searchlight effect, with a high output tight collimated shaft of light at 6.4°, which exceeds 55,000 lumens. Its lightweight robust construction and stylish compact design, allows the fixture to transport and install easily, while its visual effects and weather guarded design - for limited protection from rain - offer something versatile and truly spectacular for arena applications. The exclusive cloaked transition generator system can be used to create auto-timed fades between color combo to reduce programing time in transitioning colors.



- Static dynamic color system allows the VL6000 Beam to maintain its highest output at all times and gives the operator 18 direct colors from 3 color wheels as well as color mixing to achieve up to 55 full color combinations and endless split color effects.
- Produces a high output, tight collimated shaft of light at 6.4° and 55,000 lumens.
- The exclusive cloaked transition generator system can be used to create auto-timed fades between color combo to reduce programing time in transitioning colors.
- Aerial beam and image projection system consists of a variable iris reducing the 6.4° to near 1° beam angle, mid-air and projected images area produced via 7 interchangeable fully rotatable and index able gobos, the edge sharpness and image appearance can be further adjusted via the dedicated focus channel.
- Cloud search mode allows the fixture to be operated without the need of a control console for stand alone applications.
- Includes 1500 W short Arc lamp.

For detailed product information, please refer to www.vari-lite.com/global/products/vl6000-beam



VARI*LITE

Specifications

Due to continuous improvements and innovations, specifications may change without notice.

Source

LAMP	PHILIPS MSR Gold PGJX50
Source Max Power Consumption	1,500 W
Source CCT	6500 K / 7000 K, depending on lamp
Dimming	Mechanical glass Wheel
Dimmer Curves	Square Law (Default), Linear, S -Curve
Dimmer Control Option	Dimmer Snap On/Off On Increases speed of mechanical shutter override of glass dimmer
Strobe	Mechanical
Strobe Modes	Continous, Random, Random Sync

Optical Performance

Beam Angle	6.4°
Output Lumens	55,000
Default Output Color Temperature	6300 or 7000 K
CRI RA	84
Focus	Motorized 16-Bit Control

Color System

Color Wheel 1	6 Color + Open
Color Wheel 2	6 Color + Open
Color Wheel 3	6 Color + Open
Color Wheel Effects	Reverse Entry Color Wheel Design Split Colors, Cloak Transition Color Generator

Imaging

Beam Softening	Variable control - Medium Frost
----------------	---------------------------------

Electrical

Output Power Consumption	2,140 W
Power Connection	Neutrik TrueOne - Power in only Power cable not included - input connector only
Input Voltage	200-240 VAC, 50 / 60 Hz

Data

Supported Protocols	DMX512-A (RDM) 5 - Pin XLR Input and Thru, USB (Diagnostics - Firmware)
DMX Modes	
16-Bit	23 Channels

Noise Level / Fan Control

Cooling System Type	Forced Air
---------------------	------------

Movement

Pan Angle	540°
Tilt Angle	242°

Mounting

Hanging Type	VL rails
Hanging Centers	622 mm (25.0 in)
Fixture mounting/Hanging orientation	Hanging - Floor - Side (Side hang mode) Side hang mode
Secondary Safety Wire Point	1 x Safety point located on underside of upper enclosure Safety Wire not included

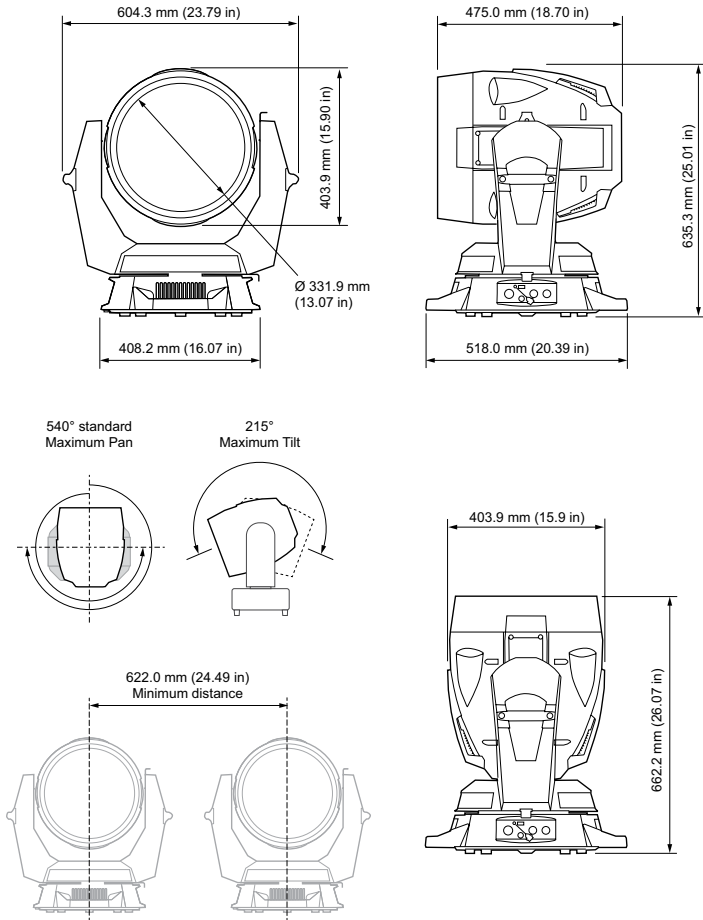
Certification and Safety

Approbations	CE, ETL, UL, FCC CSA, RoHS, ISO 9001
IP Rating	IP22

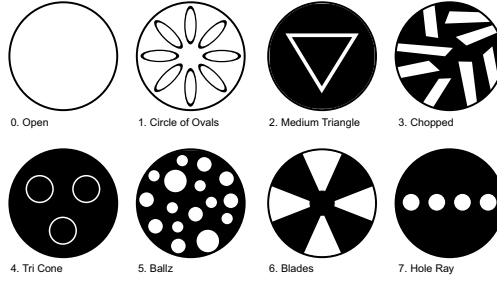
Photometrics and IES Files

For IES files and photometric reports, please refer to the product page: www.vari-lite.com/global/products/vl6000-beam

Dimensions



Gobo Wheel 2



Physical

Construction	Metal frame, Plastic covers
Standard Finish	Black
Dimensions	604 x 662 x 518 mm (24.0 x 26.0 x 20.0 in)
Fixture Weight	28.0 kg (62.0 lb)
Operating Temperature (non-condensing)	-20-50°C (-4-122°F)
Operating Temperature (condensing)	33-50°C (91-122°F)

Gobo and Effect Wheels

Gobo Wheel 1	6 + Open
	Interchangeable
Material	Metal
Diameter / Thickness	37.5 mm x 0.8 mm
Image Size	29.5 mm
Gobo Wheel Features	MegaStep, Twist, Shake, Wheel Spin

Luminaire and Accessories

Product type	Order Code
VL6000 BEAM	20.9708.0001
VL6000 BEAM, 1500w Short arc lamp, c/w 2 x VL Rails and power input connector, Black	
Accessories	
GT Truss Rail	22.9708.0835
VL Hanging Rail, 1 x GT Truss drop rail, c/w VL1600, VL4000, VL2600, VLZ series and VL10,	
VL6000 Gobo carrier	10.9708.0212
VL6000 Series, Gobo carrier	
Gobo Retainer	10.9708.0218
VL6000 Series, Gobo retaining spring	

