

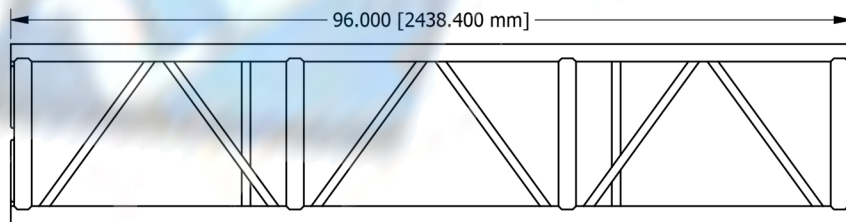
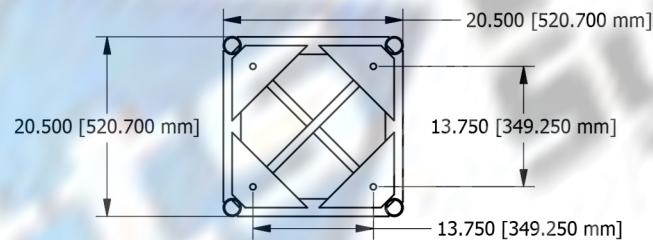
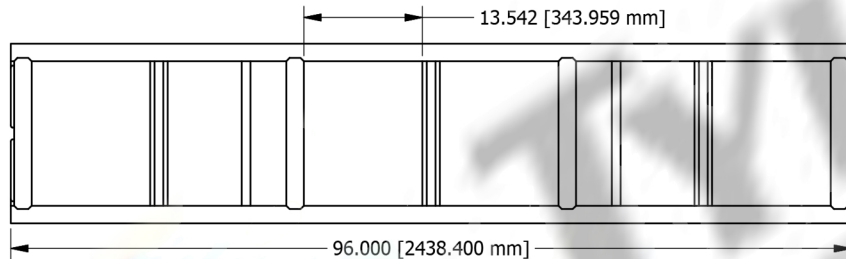
20.5" x 20.5" x 96" Medium Duty Bolt Plate Truss Load Capacity Table (Repetitive Use)

TRUSS SPAN	UNIFORMLY DISTRIBUTED LOAD		CENTER POINT LOAD		THIRD POINT LOAD		QUARTER POINT LOAD		FIFTH POINT LOAD	
	LOAD (pfl)	DEFL. (in)	LOAD (lbs)	DEFL. (in)	LOAD (lbs)	DEFL. (in)	LOAD (lbs)	DEFL. (in)	LOAD (lbs)	DEFL. (in)
8'-0"	802	0.029	6419	0.047	3209	0.040	2140	0.037	1605	0.035
16'-0"	398	0.234	3752	0.223	2814	0.285	1876	0.265	1563	0.277
24'-0"	204	0.622	2453	0.506	1840	0.644	1227	0.598	1022	0.626
32'-0"	112	1.110	1789	0.910	1342	1.148	895	1.069	746	1.118
40'-0"	69	1.745	1379	1.444	1035	1.802	690	1.683	575	1.757
48'-0"	46	2.531	1096	2.118	822	2.609	548	2.445	548	2.548

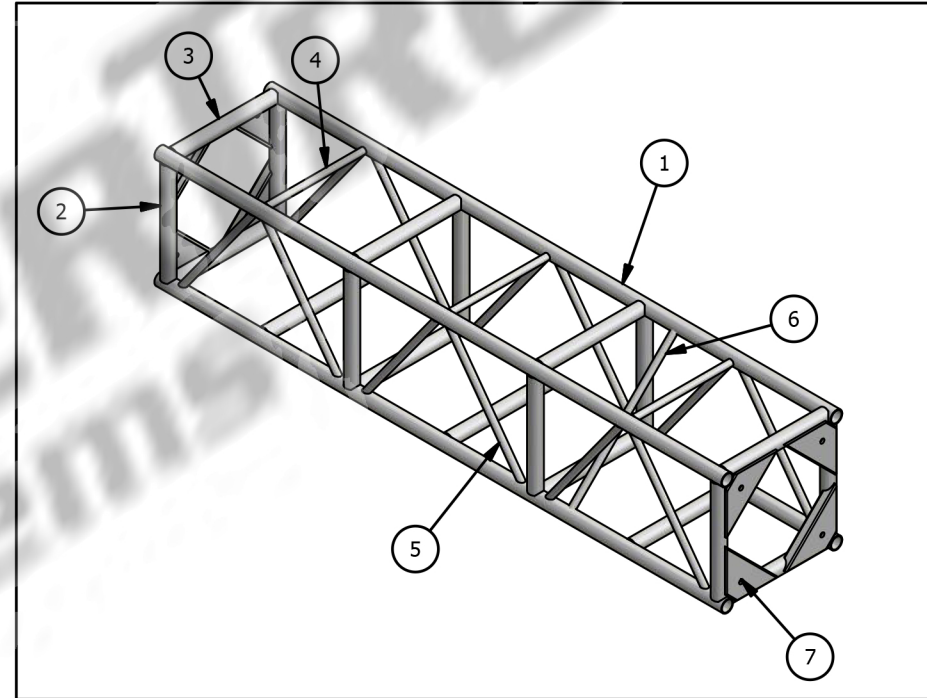
Table Usage Notes:

1. The truss is supporting vertical loads only, i.e. the truss diagonals are oriented vertically and no lateral loads are applied to the truss.
2. The truss is analyzed as a simple span beam. Truss support points are located at truss panel points.
3. The truss has been analyzed for static loads only.
4. All loads are applied centered between the ladders.
5. All loads are applied at the panel points of the truss only.
6. All capacities are reduced by 0.85 per ANSI E1.2-2012 for repetitive use members.
7. Selfweight has been considered.
8. Maximum deflection limited to span/180.
9. Allowable loads based on 2010 Aluminum Design Manual.

Information extracted from the structural report by: **CLARK REDER ENGINEERING**



PARTS LIST		
ITEM	PART NUMBER	DESCRIPTION
1	CHORDS	Ø2" X .125" ALUMINUM TUBE
2	VERTICALS	Ø2" X .125" ALUMINUM TUBE
3	HORIZONTALS	Ø2 X .125" ALUMINUM TUBE
4	HORIZONTALS	Ø1" X .125" ALUMINUM TUBE
5	DIAGONALS	Ø1" X .125" ALUMINUM TUBE
6	INTERNAL DIAGS	Ø1" X .125" ALUMINUM TUBE
7	LARGE CAMLOCK	.375" ALUMINUM PLATE



Notes:

TITLE: 20.5" X 20.5" X 96" MEDIUM DUTY TRUSS
 WEIGHT: 76 lbs
 CREATION DATE: 11/25/2012
 AUTHOR: NATHAN V
 TOLERANCE: +/- 0.010 (0.254mm) U.O.S
 REVISION: A



1810 Fairfield Ln, Pendleton, Indiana, 46064
 765-221-5050