

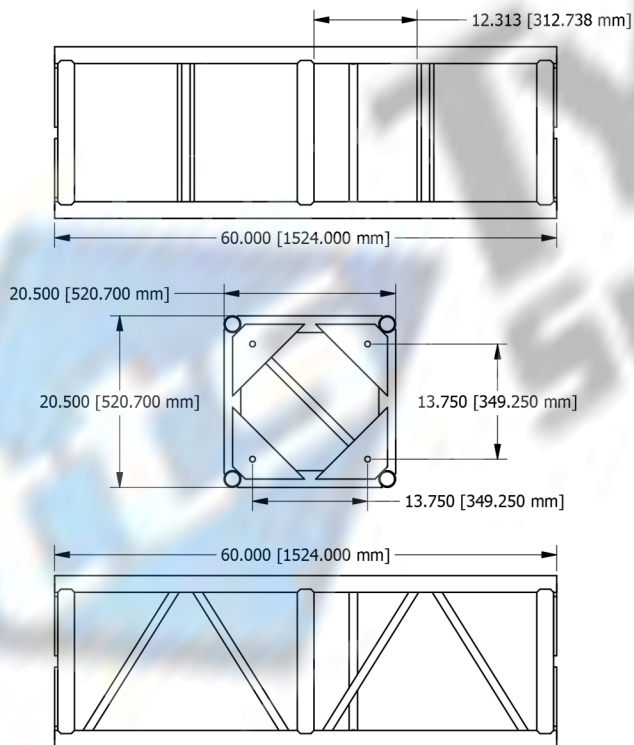
**20.5" x 20.5" x 60" Medium Duty Bolt Plate Truss Load Capacity Table (Repetitive Use)**

TRUSS SPAN	UNIFORMLY DISTRIBUTED LOAD		CENTER POINT LOAD		THIRD POINT LOAD		QUARTER POINT LOAD		FIFTH POINT LOAD	
	LOAD (pfl)	DEFL. (in)	LOAD (lbs)	DEFL. (in)	LOAD (lbs)	DEFL. (in)	LOAD (lbs)	DEFL. (in)	LOAD (lbs)	DEFL. (in)
5'-0"	1288	0.007	6440	0.011	3222	0.010	2147	0.009	1610	0.009
10'-0"	640	0.057	6059	0.087	3202	0.079	2135	0.073	1601	0.069
15'-0"	425	0.193	4009	0.196	3007	0.251	2005	0.232	1592	0.233
20'-0"	298	0.431	2975	0.350	2232	0.446	1488	0.414	1240	0.434
25'-0"	188	0.675	2348	0.550	1761	0.699	1174	0.649	978	0.680
30'-0"	128	0.974	1923	0.798	1443	1.008	962	0.938	801	0.982
35'-0"	92	1.331	1615	1.095	1211	1.376	808	1.282	673	1.341
40'-0"	69	1.745	1379	1.444	1035	1.802	690	1.683	575	1.757
45'-0"	53	2.218	1192	1.848	894	2.288	596	2.142	497	2.233
50'-0"	42	2.752	1038	2.309	779	2.836	519	2.660	433	2.770

**Table Usage Notes:**

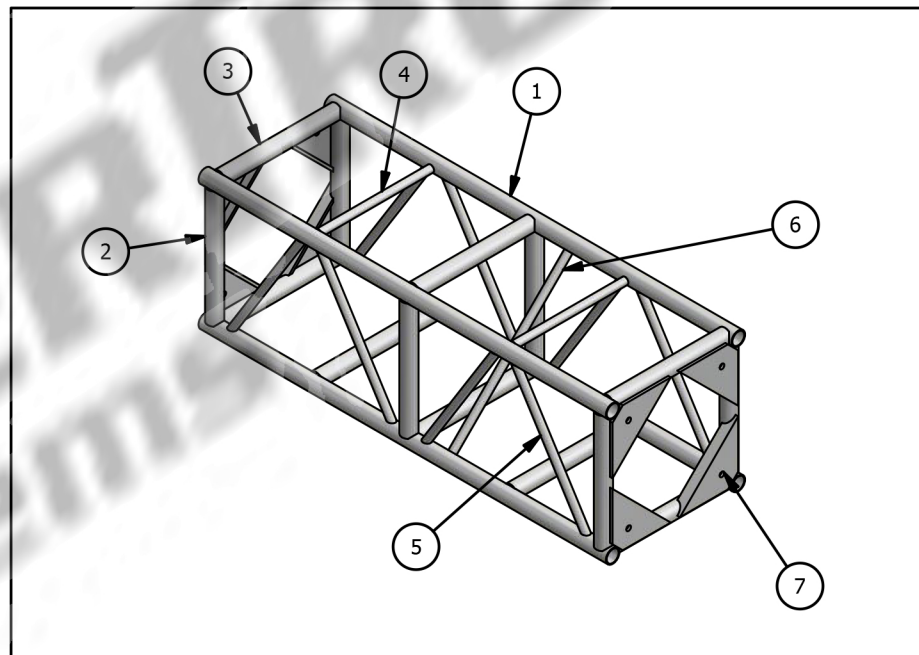
1. The truss is supporting vertical loads only, i.e. the truss diagonals are oriented vertically and no lateral loads are applied to the truss.
2. The truss is analyzed as a simple span beam. Truss support points are located at truss panel points.
3. The truss has been analyzed for static loads only.
4. All loads are applied centered between the ladders.
5. All loads are applied at the panel points of the truss only.
6. All capacities are reduced by 0.85 per ANSI E1.2-2012 for repetitive use members.
7. Selfweight has been considered.
8. Maximum deflection limited to span/180.
9. Allowable loads based on 2010 Aluminum Design Manual.

Information extracted from the structural report by: **CLARK REDER ENGINEERING**



**PARTS LIST**

ITEM	PART NUMBER	DESCRIPTION
1	CHORDS	Ø2" X .125" ALUMINUM TUBE
2	VERTICALS	Ø2" X .125" ALUMINUM TUBE
3	HORIZONTALS	Ø2 X .125" ALUMINUM TUBE
4	HORIZONTALS	Ø1" X .125" ALUMINUM TUBE
5	DIAGONALS	Ø1" X .125" ALUMINUM TUBE
6	INTERNAL DIAGS	Ø1" X .125" ALUMINUM TUBE
7	LARGE CAMLOCK	.375" ALUMINUM PLATE



**Notes:**

TITLE: 20.5" X 20.5" X 60" MEDIUM DUTY TRUSS  
 WEIGHT: 57 lbs  
 CREATION DATE: 2/26/2013  
 AUTHOR: NATHAN V  
 TOLERANCE: +/- 0.010 (0.254mm) U.O.S  
 REVISION: A



1810 Fairfield Ln, Pendleton, Indiana, 46064  
 765-221-5050