



## SIX PAR Z19 IP™

SKU# SIX119

The SIX PAR Z19 IP™ is an IP65 rated 6-color par wash luminaire with zoom, featuring (19) individual 15W 6-IN-1 RGBAW+UV LEDs, 5° to 45° motorized zoom, UV LED Wavelength of 395nm, electronic strobe and variable dimming curve effects, IP rated 5pin DMX and IP65 Locking Power Cable in/out connections, LCD menu display with (4) touch button control panel, adjustable yoke / floor stand, multiple unit power linking, RDM (remote device management), rugged die-cast aluminum exterior, flicker free operation for TV and FILM, and a multi-voltage universal auto switching power supply (110-250v).



### FEATURES

**IP65 Rated 6-Color Par Wash Luminaire**

**19 x 15W RGBAW + UV LEDs**

**5° to 45° Motorized Zoom**

**395nm UV LED Wavelength**

**Electronic Strobe and Variable Dimming Curve Effects**

**RDM - Remote Device Management**

**Rugged Die-Cast Aluminum Exterior**

**Multiple Unit Power Linking**

**IP Rated DMX and powerCON TRUE1 Connections**

**Flicker Free Operation for TV and FILM**



**PRODUCT SPECIFICATIONS**

**SOURCE**

(19) 15W RGBAW + UV LEDs  
100,000 Hour Average LED Life\*

\*LED Life may vary depending on several factors including but not limited to: Environmental Conditions, Power/Voltage, Usage Patterns (On-Off Cycling), Control and Dimming.

**PHOTOMETRIC DATA**

13,240 LUX 1,230 FC @9.8' (3m) (5° Full ON)  
831 LUX 77 FC @9.8' (3m) (45° Full ON)

**COLOR**

RGBAW + UV

**EFFECTS**

5° - 45° Beam Zoom  
RGBWA + UV Color Mixing  
Color and Chase Program Macros  
Electronic Strobe and Variable Dim Curves

**CONTROL / CONNECTIONS**

(4) DMX Channel Modes (14 Total Channels)  
4 Button Control Panel and LCD Menu Display  
RDM (Remote Device Management)  
IP Rated 5pin DMX In/Out  
IP65 Locking Power Cable In/Out  
16 Bit High Resolution Dimming

**SIZE / WEIGHT**

Length: 14.3" (363mm)  
Width: 12.0" (305mm)  
Vertical Height: 15.6" (396mm)  
Weight: 27.0 lbs. (12.2 kg)

**ELECTRICAL / THERMAL**

AC 110-240V - 50/60Hz  
282W Max Power Consumption  
5°F to 113°F (-15°C to 45°C)  
UV Wavelength: 395nm

**APPROVALS / RATINGS**



**INCLUDED ITEMS**

IP65 Locking Power Cable

**PHOTOMETRIC DATA**

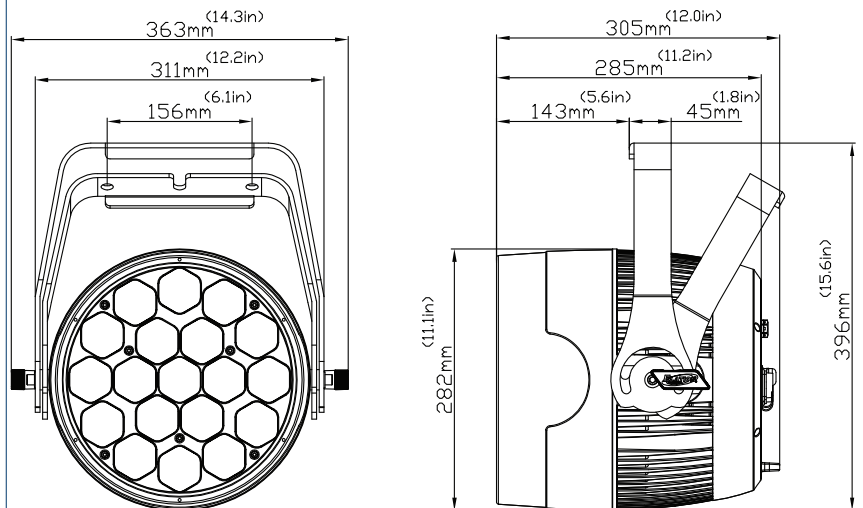
**MIN ZOOM - 5° Beam Diameter**

	3 m	9.8 ft	4 m	13.1 ft	5 m	16.4 ft
5° Beam Diameter	0.26	0.9	0.35	1.1	0.43	1.4
15° Field Diameter	1	3.3	1.3	4.3	1.6	5.2
	lux	fc	lux	fc	lux	fc
RED LEDs	1,859	173	1,211	113	853	79
GREEN LEDs	6,220	578	3,918	364	2,755	256
BLUE LEDs	915	85	557	52	383	36
WHITE LEDs	6,221	578	3,876	360	2,750	255
AMBER LEDs	1,351	126	824	77	687	64
UV LEDs	121	11	80	7	44	4
FULL ON	13,240	1,230	8,371	778	5,859	544

**MAX ZOOM - 45° Beam Diameter**

	3 m	9.8 ft	4 m	13.1 ft	5 m	16.4 ft
45° Beam Diameter	2.49	8.2	3.31	10.9	4.14	13.6
55° Field Diameter	3.12	10.2	4.16	13.6	5.2	17.1
	lux	fc	lux	fc	lux	fc
RED LEDs	132	12	78	7	49	5
GREEN LEDs	371	34	219	20	153	14
BLUE LEDs	68	6	41	4	29	3
WHITE LEDs	431	40	246	23	152	14
AMBER LEDs	80	7	48	4	35	3
UV LEDs	13	1	10	1	8	1
FULL ON	831	77	486	45	309	29

**DIMENSIONAL DIAGRAMS**



**OPTIONAL ACCESSORIES**

ORDER CODE	ITEM
NARROW CLAMP	P PRO 2" Wrap Around Clamp
NEU088	3' (1m) IP65 Locking Power Link Cable
	Additional cable lengths available

