

**Light efficiency:**

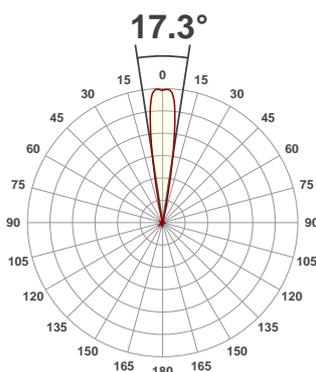
**3 Lumen/Watt**

**Light quality:**

**CRI: 0.0**

**Color temperature:**

**0 K**



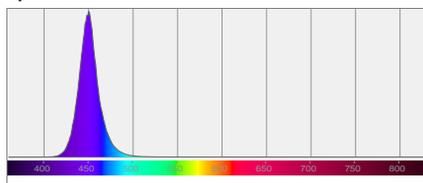
**Product name:**  
**Chorus Line16**

**Test:**  
**Zoom 50% Blue**

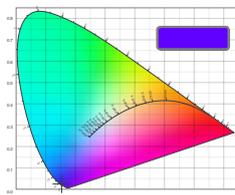
**Date:**  
**7/20/2017**

**Output: 634 lm Power consumption: 197 W Peak: 7004 cd**

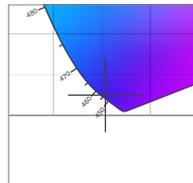
**Spectral distribution**



**Color coordinates**



**Zoom color point**

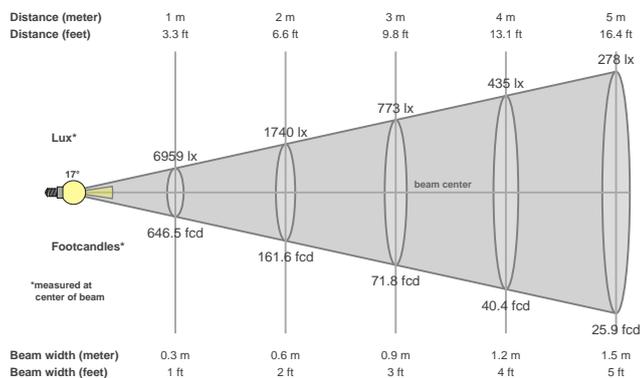


**CRI R values**



Color temperature	Color rendering index	Red component	Color fidelity	Color gamut	Color quality scale	Color coordinate cie 1931	Color coordinate cie 1931	Color coordinate	Color coordinate	Color divition from black body
CCT	CRI	CRI R9	TM30 Rf	TM30 Rg	CQS	x	y	u	v	Δuv
0 K	0.0	0.0	0.0	0.0	0.0	0.154	0.025	0.206	0.050	n/a

**Beam details**



**Beam angels**

Beam angle 50%	Field angle 10%	Cutoff angle 2,5%
17.3°	23.6°	27°

**Beam intensities**

Peak intensity	Int. ratio in 120° cone	Int. ratio in 90° cone
7004 cd	92.9%	91.0%

**Power**

Power	Power factor	Power frequency
197 W	0.99	60 Hz

Nominal voltage	Voltage	Current
230 V	113 V	1.76 A

**Beam intensities from 1-20m**

1m	2m	3m	4m	5m	6m	7m	8m	9m	10m	11m	12m	13m	14m	15m	16m	17m	18m	19m	20m
3.3ft	6.6ft	9.8ft	13.1ft	16.4ft	19.7ft	23ft	26.2ft	29.5ft	32.8ft	36.1ft	39.4ft	42.7ft	45.9ft	49.2ft	52.5ft	55.8ft	59.1ft	62.3ft	65.6ft
6959lx	1740lx	773lx	435lx	278lx	193lx	142lx	109lx	86lx	70lx	58lx	48lx	41lx	36lx	31lx	27lx	24lx	21lx	19lx	17lx
646.5fcd	161.6fcd	71.8fcd	40.4fcd	25.9fcd	18fcd	13.2fcd	10.1fcd	8fcd	6.5fcd	5.3fcd	4.5fcd	3.8fcd	3.3fcd	2.9fcd	2.5fcd	2.2fcd	2fcd	1.8fcd	1.6fcd

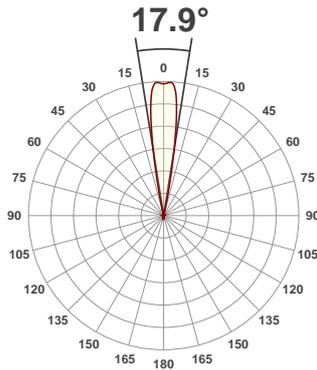
**Light efficiency:**



**Light quality:**



**Color temperature:**



**Product name:**

**Chorus Line16**

**Test:**

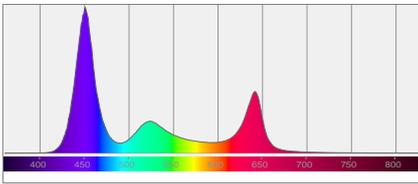
**Zoom 50% Full On**

**Date:**

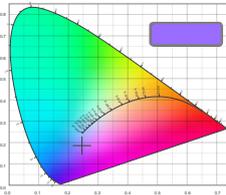
**7/20/2017**

**Output: 4845 lm Power consumption: 520 W Peak: 54577 cd**

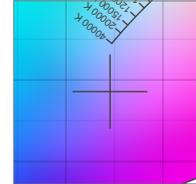
**Spectral distribution**



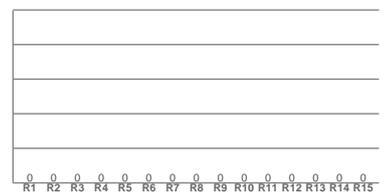
**Color coordinates**



**Zoom color point**

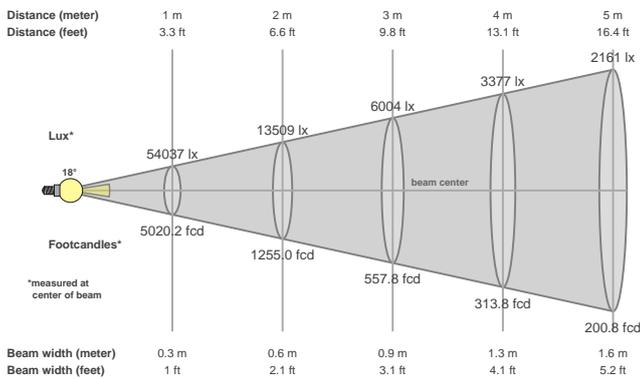


**CRI R values**



Color temperature	Color rendering index	Red component	Color fidelity	Color gamut	Color quality scale	Color coordinate cie 1931	Color coordinate cie 1931	Color coordinate	Color coordinate	Color divition from black body
CCT	CRI	CRI R9	TM30 Rf	TM30 Rg	CQS	x	y	u	v	Δuv
0 K	0.0	0.0	0.0	0.0	0.0	0.245	0.186	0.207	0.235	n/a

**Beam details**



**Beam angels**

Beam angle 50%	Field angle 10%	Cutoff angle 2,5%
17.9°	24.3°	27.5°

**Beam intensities**

Peak intensity	Int. ratio in 120° cone	Int. ratio in 90° cone
54577 cd	98.3%	97.5%

**Power**

Power	Power factor	Power frequency
520 W	1.0	0 Hz

Nominal voltage	Voltage	Current
230 V	114 V	4.57 A

**Beam intensities from 1-20m**

1m	2m	3m	4m	5m	6m	7m	8m	9m	10m	11m	12m	13m	14m	15m	16m	17m	18m	19m	20m
3.3ft	6.6ft	9.8ft	13.1ft	16.4ft	19.7ft	23ft	26.2ft	29.5ft	32.8ft	36.1ft	39.4ft	42.7ft	45.9ft	49.2ft	52.5ft	55.8ft	59.1ft	62.3ft	65.6ft
54037lx	13509lx	6004lx	3377lx	2161lx	1501lx	1103lx	844lx	667lx	540lx	447lx	375lx	320lx	276lx	240lx	211lx	187lx	167lx	150lx	135lx
5020.2fcd	1255fcd	557.8fcd	313.8fcd	200.8fcd	139.4fcd	102.5fcd	78.4fcd	62fcd	50.2fcd	41.5fcd	34.9fcd	29.7fcd	25.6fcd	22.3fcd	19.6fcd	17.4fcd	15.5fcd	13.9fcd	12.6fcd

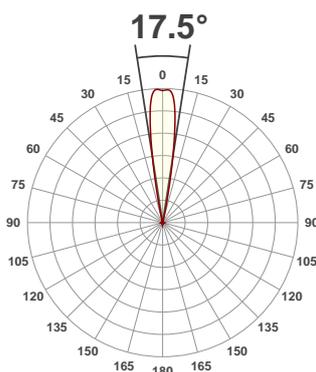
**Light efficiency:**



**Light quality:**



**Color temperature:**



**Product name:**

**Chorus Line16**

**Test:**

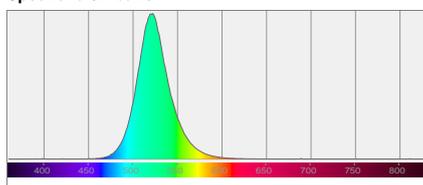
**Zoom 50% Green**

**Date:**

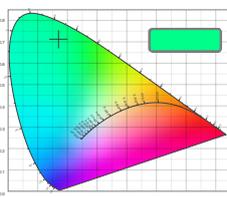
**7/20/2017**

**Output: 2204 lm Power consumption: 220 W Peak: 25252 cd**

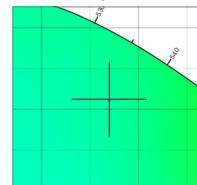
**Spectral distribution**



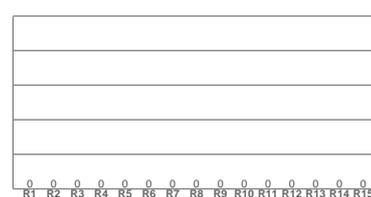
**Color coordinates**



**Zoom color point**

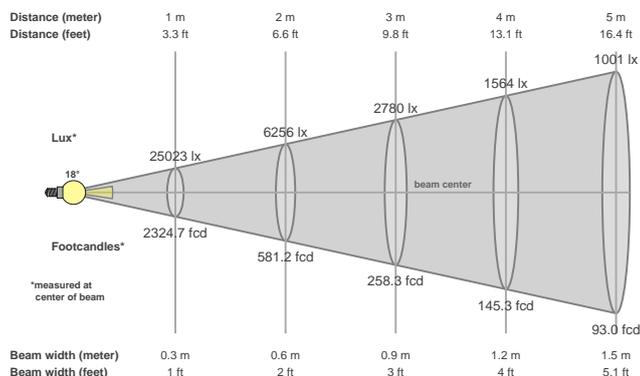


**CRI R values**



Color temperature	Color rendering index	Red component	Color fidelity	Color gamut	Color quality scale	Color coordinate cie 1931	Color coordinate cie 1931	Color coordinate	Color coordinate	Color divition from black body
CCT	CRI	CRI R9	TM30 Rf	TM30 Rg	CQS	x	y	u	v	Δuv
0 K	0.0	0.0	0.0	0.0	0.0	0.170	0.712	0.061	0.381	n/a

**Beam details**



**Beam angles**

Beam angle 50%	Field angle 10%	Cutoff angle 2,5%
17.5°	23.8°	27.2°

**Beam intensities**

Peak intensity	Int. ratio in 120° cone	Int. ratio in 90° cone
25252 cd	96.3%	95.1%

**Power**

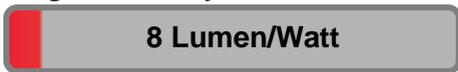
Power	Power factor	Power frequency
220 W	0.99	60 Hz

Nominal voltage	Voltage	Current
230 V	113 V	1.97 A

**Beam intensities from 1-20m**

1m	2m	3m	4m	5m	6m	7m	8m	9m	10m	11m	12m	13m	14m	15m	16m	17m	18m	19m	20m
3.3ft	6.6ft	9.8ft	13.1ft	16.4ft	19.7ft	23ft	26.2ft	29.5ft	32.8ft	36.1ft	39.4ft	42.7ft	45.9ft	49.2ft	52.5ft	55.8ft	59.1ft	62.3ft	65.6ft
25023lx	6256lx	2780lx	1564lx	1001lx	695lx	511lx	391lx	309lx	250lx	207lx	174lx	148lx	128lx	111lx	98lx	87lx	77lx	69lx	63lx
2324.7fcd	581.2fcd	258.3fcd	145.3fcd	93fcd	64.6fcd	47.4fcd	36.3fcd	28.7fcd	23.2fcd	19.2fcd	16.1fcd	13.8fcd	11.9fcd	10.3fcd	9.1fcd	8fcd	7.2fcd	6.4fcd	5.8fcd

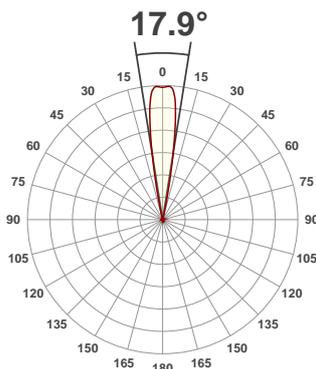
**Light efficiency:**



**Light quality:**



**Color temperature:**



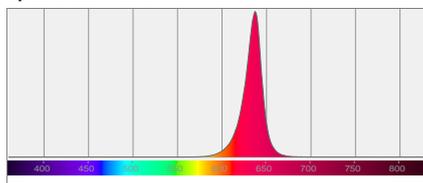
**Product name:**  
**Chorus Line16**

**Test:**  
**Zoom 50% Red**

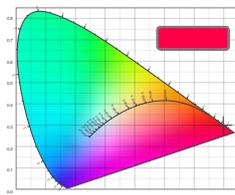
**Date:**  
**7/20/2017**

**Output: 1373 lm Power consumption: 167 W Peak: 14716 cd**

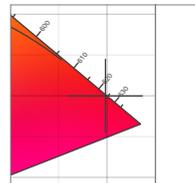
**Spectral distribution**



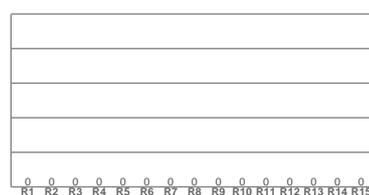
**Color coordinates**



**Zoom color point**

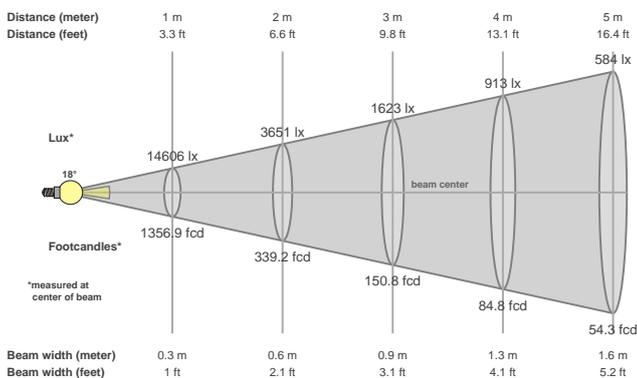


**CRI R values**



Color temperature	Color rendering index	Red component	Color fidelity	Color gamut	Color quality scale	Color coordinate cie 1931	Color coordinate cie 1931	Color coordinate	Color coordinate	Color divition from black body
CCT	CRI	CRI R9	TM30 Rf	TM30 Rg	CQS	x	y	u	v	Δuv
0 K	0.0	0.0	0.0	0.0	0.0	0.698	0.300	0.537	0.346	n/a

**Beam details**



**Beam angles**

Beam angle 50%	Field angle 10%	Cutoff angle 2,5%
17.9°	24.5°	27.9°

**Beam intensities**

Peak intensity	Int. ratio in 120° cone	Int. ratio in 90° cone
14716 cd	95.2%	93.6%

**Power**

Power	Power factor	Power frequency
167 W	0.99	60 Hz

Nominal voltage	Voltage	Current
230 V	114 V	1.48 A

**Beam intensities from 1-20m**

1m	2m	3m	4m	5m	6m	7m	8m	9m	10m	11m	12m	13m	14m	15m	16m	17m	18m	19m	20m
3.3ft	6.6ft	9.8ft	13.1ft	16.4ft	19.7ft	23ft	26.2ft	29.5ft	32.8ft	36.1ft	39.4ft	42.7ft	45.9ft	49.2ft	52.5ft	55.8ft	59.1ft	62.3ft	65.6ft
14606lx	3651lx	1623lx	913lx	584lx	406lx	298lx	228lx	180lx	146lx	121lx	101lx	86lx	75lx	65lx	57lx	51lx	45lx	40lx	37lx
1356.9fcd	339.2fcd	150.8fcd	84.8fcd	54.3fcd	37.7fcd	27.7fcd	21.2fcd	16.8fcd	13.6fcd	11.2fcd	9.4fcd	8fcd	6.9fcd	6fcd	5.3fcd	4.7fcd	4.2fcd	3.8fcd	3.4fcd

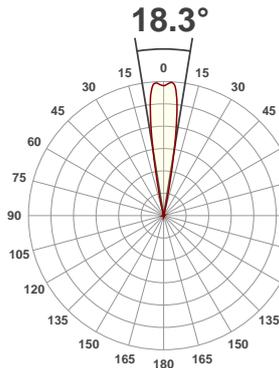
**Light efficiency:**



**Light quality:**



**Color temperature:**



**Product name:**

**Chorus Line16**

**Test:**

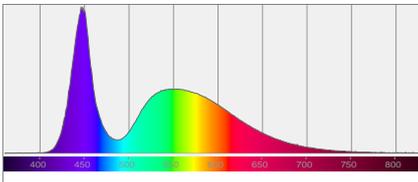
**Zoom 50% White**

**Date:**

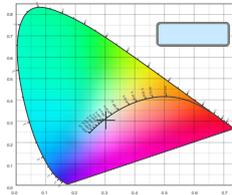
**7/20/2017**

**Output: 3178 lm Power consumption: 196 W Peak: 33460 cd**

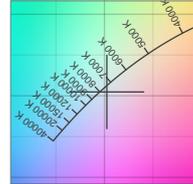
**Spectral distribution**



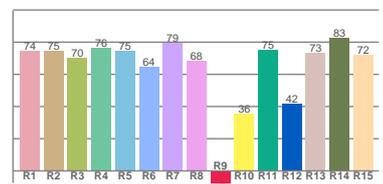
**Color coordinates**



**Zoom color point**

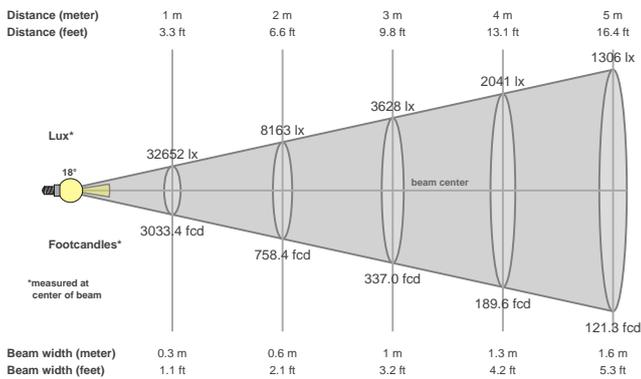


**CRI R values**



Color temperature	Color rendering index	Red component	Color fidelity	Color gamut	Color quality scale	Color coordinate cie 1931	Color coordinate cie 1931	Color coordinate	Color coordinate	Color divition from black body
CCT	CRI	CRI R9	TM30 Rf	TM30 Rg	CQS	x	y	u	v	Δuv
7459 K	72.8	-7.5	66.6	95.8	68.2	0.302	0.305	0.200	0.302	0.0073

**Beam details**



**Beam angles**

Beam angle 50%	Field angle 10%	Cutoff angle 2,5%
18.3°	24.7°	27.9°

**Beam intensities**

Peak intensity	Int. ratio in 120° cone	Int. ratio in 90° cone
33460 cd	96.2%	94.9%

**Power**

Power	Power factor	Power frequency
196 W	0.99	60 Hz

Nominal voltage	Voltage	Current
230 V	114 V	1.73 A

**Beam intensities from 1-20m**

1m	2m	3m	4m	5m	6m	7m	8m	9m	10m	11m	12m	13m	14m	15m	16m	17m	18m	19m	20m
3.3ft	6.6ft	9.8ft	13.1ft	16.4ft	19.7ft	23ft	26.2ft	29.5ft	32.8ft	36.1ft	39.4ft	42.7ft	45.9ft	49.2ft	52.5ft	55.8ft	59.1ft	62.3ft	65.6ft
32652lx	8163lx	3628lx	2041lx	1306lx	907lx	666lx	510lx	403lx	327lx	270lx	227lx	193lx	167lx	145lx	128lx	113lx	101lx	90lx	82lx
3033.4fcd	758.4fcd	337fcd	189.6fcd	121.3fcd	84.3fcd	61.9fcd	47.4fcd	37.4fcd	30.3fcd	25.1fcd	21.1fcd	17.9fcd	15.5fcd	13.5fcd	11.8fcd	10.5fcd	9.4fcd	8.4fcd	7.6fcd

**Light efficiency:**

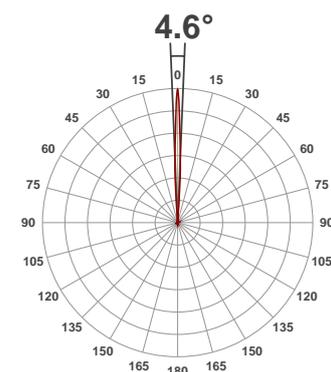
**5 Lumen/Watt**

**Light quality:**

**CRI: 0.0**

**Color temperature:**

**0 K**



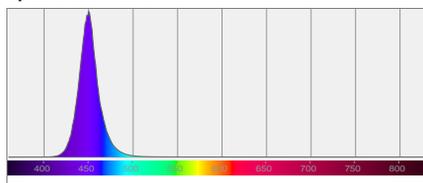
**Product name:**  
**Chorus Line16**

**Test:**  
**Zoom In Blue**

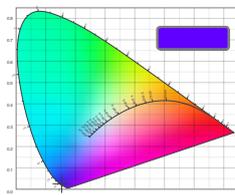
**Date:**  
**7/20/2017**

**Output: 1043 lm Power consumption: 197 W Peak: 52145 cd**

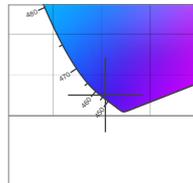
**Spectral distribution**



**Color coordinates**



**Zoom color point**

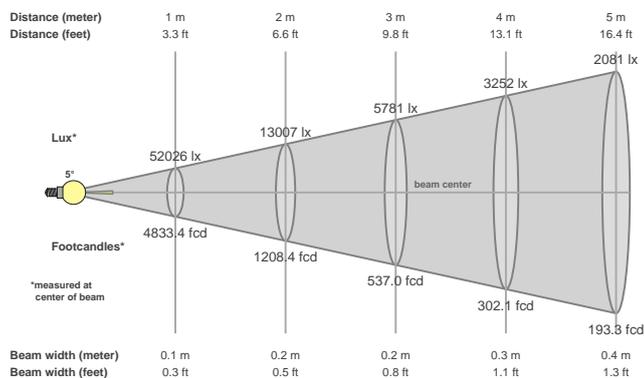


**CRI R values**



Color temperature	Color rendering index	Red component	Color fidelity	Color gamut	Color quality scale	Color coordinate cie 1931	Color coordinate cie 1931	Color coordinate	Color coordinate	Color divition from black body
CCT	CRI	CRI R9	TM30 Rf	TM30 Rg	CQS	x	y	u	v	Δuv
0 K	0.0	0.0	0.0	0.0	0.0	0.154	0.025	0.205	0.051	n/a

**Beam details**



**Beam angels**

Beam angle 50%	Field angle 10%	Cutoff angle 2,5%
4.6°	8°	8.8°

**Beam intensities**

Peak intensity	Int. ratio in 120° cone	Int. ratio in 90° cone
52145 cd	50.9%	44.6%

**Power**

Power	Power factor	Power frequency
197 W	0.99	60.1 Hz

Nominal voltage	Voltage	Current
230 V	113 V	1.77 A

**Beam intensities from 1-20m**

1m	2m	3m	4m	5m	6m	7m	8m	9m	10m	11m	12m	13m	14m	15m	16m	17m	18m	19m	20m
3.3ft	6.6ft	9.8ft	13.1ft	16.4ft	19.7ft	23ft	26.2ft	29.5ft	32.8ft	36.1ft	39.4ft	42.7ft	45.9ft	49.2ft	52.5ft	55.8ft	59.1ft	62.3ft	65.6ft
52026lx	13007lx	5781lx	3252lx	2081lx	1445lx	1062lx	813lx	642lx	520lx	430lx	361lx	308lx	265lx	231lx	203lx	180lx	161lx	144lx	130lx
4833.4fcd	1208.4fcd	537fcd	302.1fcd	193.3fcd	134.3fcd	98.6fcd	75.5fcd	59.7fcd	48.3fcd	39.9fcd	33.6fcd	28.6fcd	24.7fcd	21.5fcd	18.9fcd	16.7fcd	14.9fcd	13.4fcd	12.1fcd

**Light efficiency:**

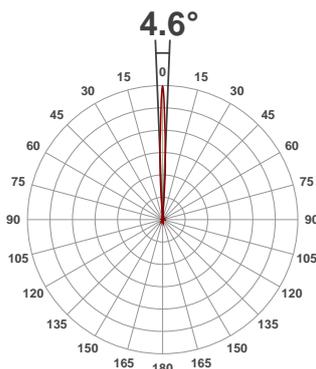
**8 Lumen/Watt**

**Light quality:**

**CRI: 0.0**

**Color temperature:**

**0 K**



**Product name:**

**Chorus Line16**

**Test:**

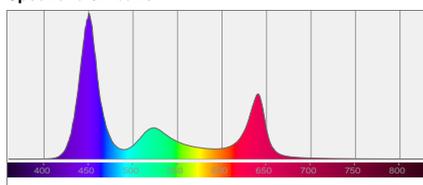
**Zoom In Full On**

**Date:**

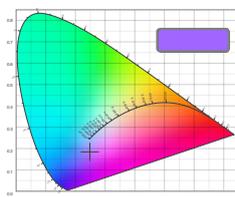
**7/20/2017**

**Output: 4452 lm Power consumption: 525 W Peak: 517673 cd**

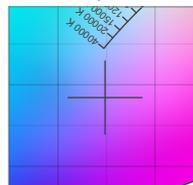
**Spectral distribution**



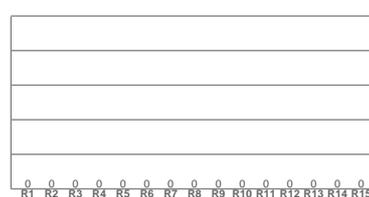
**Color coordinates**



**Zoom color point**

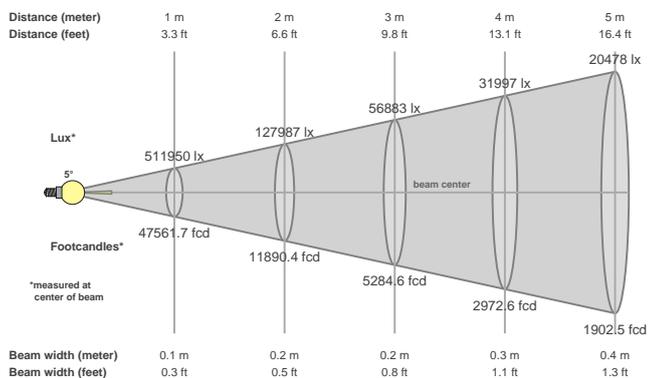


**CRI R values**



Color temperature	Color rendering index	Red component	Color fidelity	Color gamut	Color quality scale	Color coordinate cie 1931	Color coordinate cie 1931	Color coordinate	Color coordinate	Color divition from black body
CCT	CRI	CRI R9	TM30 Rf	TM30 Rg	CQS	x	y	u	v	Δuv
0 K	0.0	0.0	0.0	0.0	0.0	0.248	0.184	0.211	0.235	n/a

**Beam details**



**Beam angels**

Beam angle 50%	Field angle 10%	Cutoff angle 2,5%
4.6°	7.8°	8.8°

**Beam intensities**

Peak intensity	Int. ratio in 120° cone	Int. ratio in 90° cone
517673 cd	87.2%	84.7%

**Power**

Power	Power factor	Power frequency
525 W	1.0	0 Hz

Nominal voltage	Voltage	Current
230 V	115 V	4.56 A

**Beam intensities from 1-20m**

1m	2m	3m	4m	5m	6m	7m	8m	9m	10m	11m	12m	13m	14m	15m	16m	17m	18m	19m	20m
3.3ft	6.6ft	9.8ft	13.1ft	16.4ft	19.7ft	23ft	26.2ft	29.5ft	32.8ft	36.1ft	39.4ft	42.7ft	45.9ft	49.2ft	52.5ft	55.8ft	59.1ft	62.3ft	65.6ft
511950lx	127987lx	56883lx	31997lx	20478lx	14221lx	10448lx	7999lx	6320lx	5119lx	4231lx	3555lx	3029lx	2612lx	2275lx	2000lx	1771lx	1580lx	1418lx	1280lx
47561.7 fcd	11890.4 fcd	5284.6 fcd	2972.6 fcd	1902.5 fcd	1321.2 fcd	970.6 fcd	743.2 fcd	587.2 fcd	475.6 fcd	393.1 fcd	330.3 fcd	281.4 fcd	242.7 fcd	211.4 fcd	185.8 fcd	164.6 fcd	146.8 fcd	131.7 fcd	118.9 fcd

**Light efficiency:**

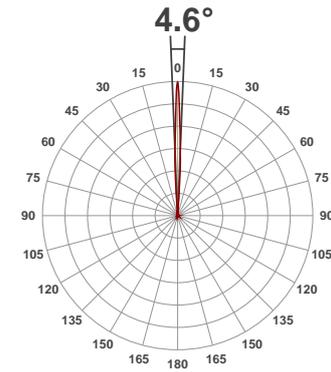
**7 Lumen/Watt**

**Light quality:**

**CRI: 0.0**

**Color temperature:**

**0 K**



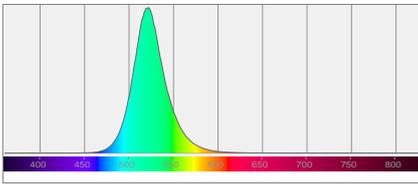
**Product name:**  
**Chorus Line16**

**Test:**  
**Zoom In Green**

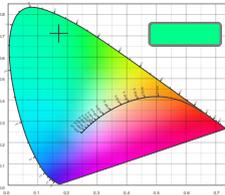
**Date:**  
**7/20/2017**

**Output: 1484 lm Power consumption: 220 W Peak: 190737 cd**

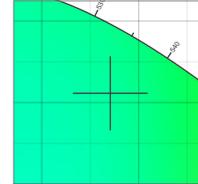
**Spectral distribution**



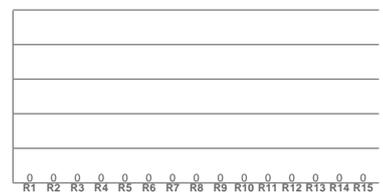
**Color coordinates**



**Zoom color point**

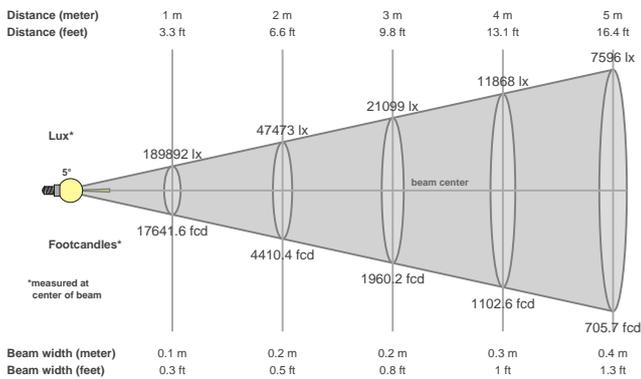


**CRI R values**



Color temperature	Color rendering index	Red component	Color fidelity	Color gamut	Color quality scale	Color coordinate cie 1931	Color coordinate cie 1931	Color coordinate	Color coordinate	Color divition from black body
CCT	CRI	CRI R9	TM30 Rf	TM30 Rg	CQS	x	y	u	v	Δuv
0 K	0.0	0.0	0.0	0.0	0.0	0.171	0.711	0.061	0.381	n/a

**Beam details**



**Beam angels**

Beam angle 50%	Field angle 10%	Cutoff angle 2,5%
4.6°	7.9°	8.5°

**Beam intensities**

Peak intensity	Int. ratio in 120° cone	Int. ratio in 90° cone
190737 cd	92.5%	90.6%

**Power**

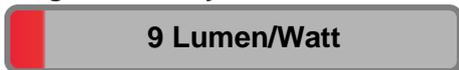
Power	Power factor	Power frequency
220 W	0.99	60 Hz

Nominal voltage	Voltage	Current
230 V	113 V	1.97 A

**Beam intensities from 1-20m**

1m	2m	3m	4m	5m	6m	7m	8m	9m	10m	11m	12m	13m	14m	15m	16m	17m	18m	19m	20m
3.3ft	6.6ft	9.8ft	13.1ft	16.4ft	19.7ft	23ft	26.2ft	29.5ft	32.8ft	36.1ft	39.4ft	42.7ft	45.9ft	49.2ft	52.5ft	55.8ft	59.1ft	62.3ft	65.6ft
189892 lx	47473 lx	21099 lx	11868 lx	7596 lx	5275 lx	3875 lx	2967 lx	2344 lx	1899 lx	1569 lx	1319 lx	1124 lx	969 lx	844 lx	742 lx	657 lx	586 lx	526 lx	475 lx
17641.6 fcd	4410.4 fcd	1960.2 fcd	1102.6 fcd	705.7 fcd	490 fcd	360 fcd	275.6 fcd	217.8 fcd	176.4 fcd	145.8 fcd	122.5 fcd	104.4 fcd	90 fcd	78.4 fcd	68.9 fcd	61 fcd	54.4 fcd	48.9 fcd	44.1 fcd

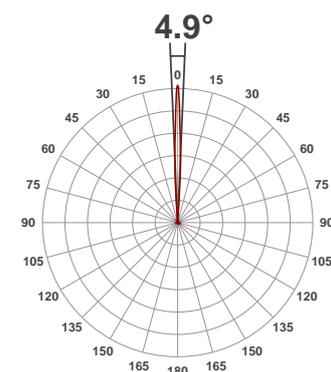
**Light efficiency:**



**Light quality:**



**Color temperature:**



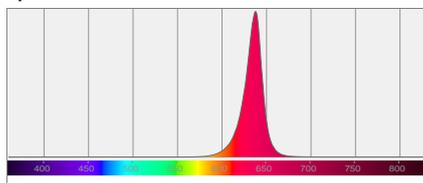
**Product name:**  
**Chorus Line16**

**Test:**  
**Zoom In Red**

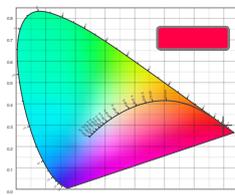
**Date:**  
**7/20/2017**

**Output: 1548 lm Power consumption: 168 W Peak: 109661 cd**

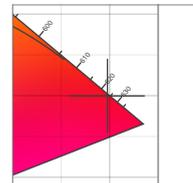
**Spectral distribution**



**Color coordinates**



**Zoom color point**

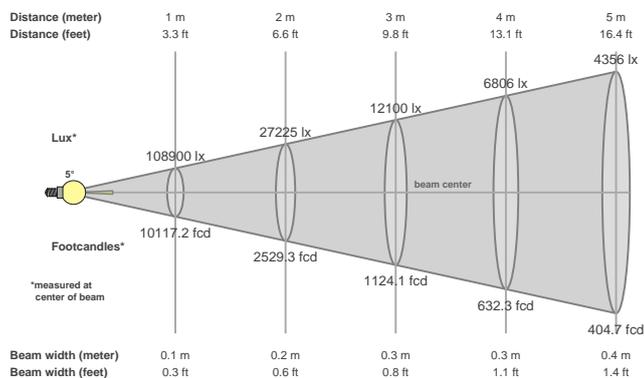


**CRI R values**



Color temperature	Color rendering index	Red component	Color fidelity	Color gamut	Color quality scale	Color coordinate cie 1931	Color coordinate cie 1931	Color coordinate	Color coordinate	Color divition from black body
CCT	CRI	CRI R9	TM30 Rf	TM30 Rg	CQS	x	y	u	v	Δuv
0 K	0.0	0.0	0.0	0.0	0.0	0.698	0.300	0.537	0.346	n/a

**Beam details**



**Beam angels**

Beam angle 50%	Field angle 10%	Cutoff angle 2,5%
4.9°	8°	9.1°

**Beam intensities**

Peak intensity	Int. ratio in 120° cone	Int. ratio in 90° cone
109661 cd	65.3%	59.7%

**Power**

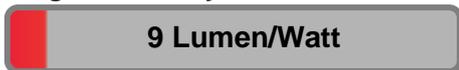
Power	Power factor	Power frequency
168 W	0.99	60 Hz

Nominal voltage	Voltage	Current
230 V	112 V	1.51 A

**Beam intensities from 1-20m**

1m	2m	3m	4m	5m	6m	7m	8m	9m	10m	11m	12m	13m	14m	15m	16m	17m	18m	19m	20m
3.3ft	6.6ft	9.8ft	13.1ft	16.4ft	19.7ft	23ft	26.2ft	29.5ft	32.8ft	36.1ft	39.4ft	42.7ft	45.9ft	49.2ft	52.5ft	55.8ft	59.1ft	62.3ft	65.6ft
108900lx	27225lx	12100lx	6806lx	4356lx	3025lx	2222lx	1702lx	1344lx	1089lx	900lx	756lx	644lx	556lx	484lx	425lx	377lx	336lx	302lx	272lx
10117.2 fcd	2529.3 fcd	1124.1 fcd	632.3 fcd	404.7 fcd	281 fcd	206.5 fcd	158.1 fcd	124.9 fcd	101.2 fcd	83.6 fcd	70.3 fcd	59.9 fcd	51.6 fcd	45 fcd	39.5 fcd	35 fcd	31.2 fcd	28 fcd	25.3 fcd

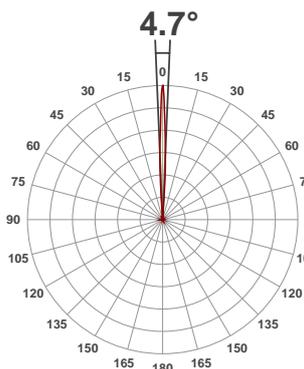
**Light efficiency:**



**Light quality:**



**Color temperature:**



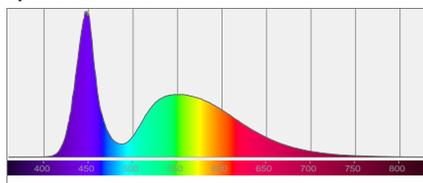
**Product name:**  
**Chorus Line16**

**Test:**  
**Zoom In White**

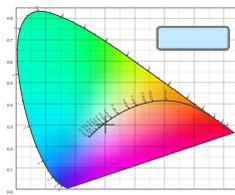
**Date:**  
**7/20/2017**

**Output: 1853 lm Power consumption: 197 W Peak: 254638 cd**

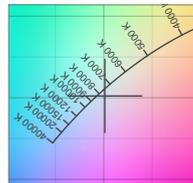
**Spectral distribution**



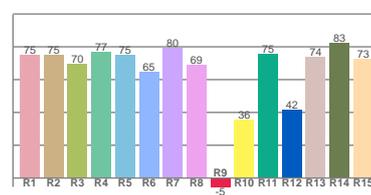
**Color coordinates**



**Zoom color point**

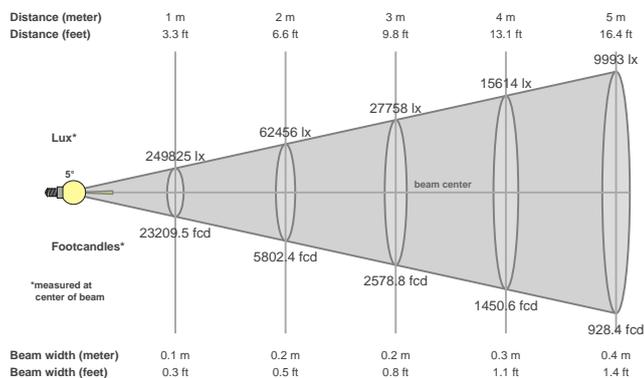


**CRI R values**



Color temperature	Color rendering index	Red component	Color fidelity	Color gamut	Color quality scale	Color coordinate cie 1931	Color coordinate cie 1931	Color coordinate	Color coordinate	Color diviation from black body
CCT	CRI	CRI R9	TM30 Rf	TM30 Rg	CQS	x	y	u	v	Δuv
7611 K	73.1	-5.4	66.6	96.3	68.1	0.301	0.302	0.200	0.301	0.0079

**Beam details**



**Beam angles**

Beam angle 50%	Field angle 10%	Cutoff angle 2,5%
4.7°	8°	8.8°

**Beam intensities**

Peak intensity	Int. ratio in 120° cone	Int. ratio in 90° cone
254638 cd	97.5%	97.0%

**Power**

Power	Power factor	Power frequency
197 W	0.99	60 Hz

Nominal voltage	Voltage	Current
230 V	113 V	1.76 A

**Beam intensities from 1-20m**

1m	2m	3m	4m	5m	6m	7m	8m	9m	10m	11m	12m	13m	14m	15m	16m	17m	18m	19m	20m
3.3ft	6.6ft	9.8ft	13.1ft	16.4ft	19.7ft	23ft	26.2ft	29.5ft	32.8ft	36.1ft	39.4ft	42.7ft	45.9ft	49.2ft	52.5ft	55.8ft	59.1ft	62.3ft	65.6ft
249825 lx	62456 lx	27758 lx	15614 lx	9993 lx	6940 lx	5098 lx	3904 lx	3084 lx	2498 lx	2065 lx	1735 lx	1478 lx	1275 lx	1110 lx	976 lx	864 lx	771 lx	692 lx	625 lx
23209.5 fcd	5802.4 fcd	2578.8 fcd	1450.6 fcd	928.4 fcd	644.7 fcd	473.7 fcd	362.6 fcd	286.5 fcd	232.1 fcd	191.8 fcd	161.2 fcd	137.3 fcd	118.4 fcd	103.2 fcd	90.7 fcd	80.3 fcd	71.6 fcd	64.3 fcd	58 fcd

**Light efficiency:**

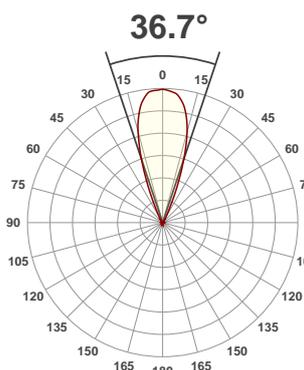
**4 Lumen/Watt**

**Light quality:**

**CRI: 0.0**

**Color temperature:**

**0 K**



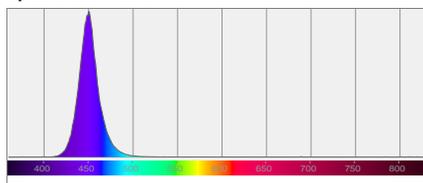
**Product name:**  
**Chorus Line16**

**Test:**  
**Zoom Out Blue**

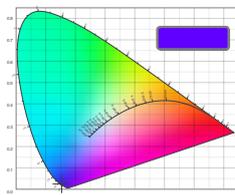
**Date:**  
**7/20/2017**

**Output: 736 lm Power consumption: 196 W Peak: 1762 cd**

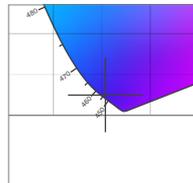
**Spectral distribution**



**Color coordinates**



**Zoom color point**

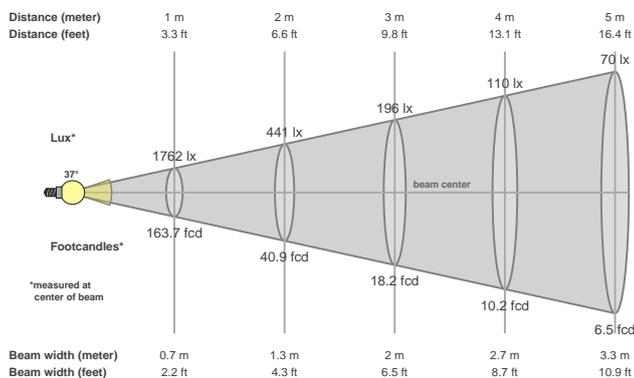


**CRI R values**



Color temperature	Color rendering index	Red component	Color fidelity	Color gamut	Color quality scale	Color coordinate cie 1931	Color coordinate cie 1931	Color coordinate	Color coordinate	Color divition from black body
CCT	CRI	CRI R9	TM30 Rf	TM30 Rg	CQS	x	y	u	v	Δuv
0 K	0.0	0.0	0.0	0.0	0.0	0.154	0.025	0.206	0.050	n/a

**Beam details**



**Beam angels**

Beam angle 50%	Field angle 10%	Cutoff angle 2,5%
36.7°	53.4°	66.8°

**Beam intensities**

Peak intensity	Int. ratio in 120° cone	Int. ratio in 90° cone
1762 cd	90.2%	88.3%

**Power**

Power	Power factor	Power frequency
196 W	0.99	60 Hz

Nominal voltage	Voltage	Current
230 V	115 V	1.72 A

**Beam intensities from 1-20m**

1m	2m	3m	4m	5m	6m	7m	8m	9m	10m	11m	12m	13m	14m	15m	16m	17m	18m	19m	20m
3.3ft	6.6ft	9.8ft	13.1ft	16.4ft	19.7ft	23ft	26.2ft	29.5ft	32.8ft	36.1ft	39.4ft	42.7ft	45.9ft	49.2ft	52.5ft	55.8ft	59.1ft	62.3ft	65.6ft
1762lx	441lx	196lx	110lx	70lx	49lx	36lx	28lx	22lx	18lx	15lx	12lx	10lx	9lx	8lx	7lx	6lx	5lx	5lx	4lx
163.7fcd	40.9fcd	18.2fcd	10.2fcd	6.5fcd	4.5fcd	3.3fcd	2.6fcd	2fcd	1.6fcd	1.4fcd	1.1fcd	1fcd	0.8fcd	0.7fcd	0.6fcd	0.6fcd	0.5fcd	0.5fcd	0.4fcd

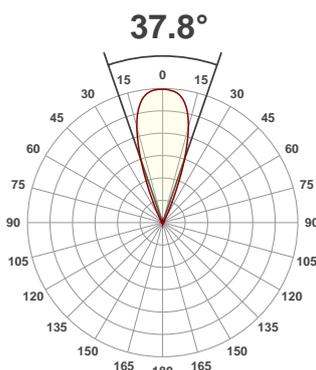
**Light efficiency:**



**Light quality:**



**Color temperature:**



Product name:

**Chorus Line16**

Test:

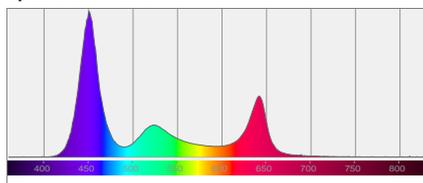
**Zoom Out Full On**

Date:

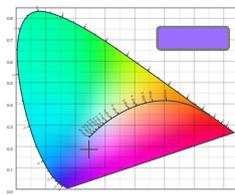
**7/20/2017**

Output: 5713 lm Power consumption: 510 W Peak: 14239 cd

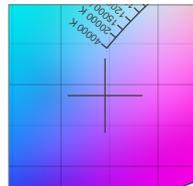
Spectral distribution



Color coordinates



Zoom color point

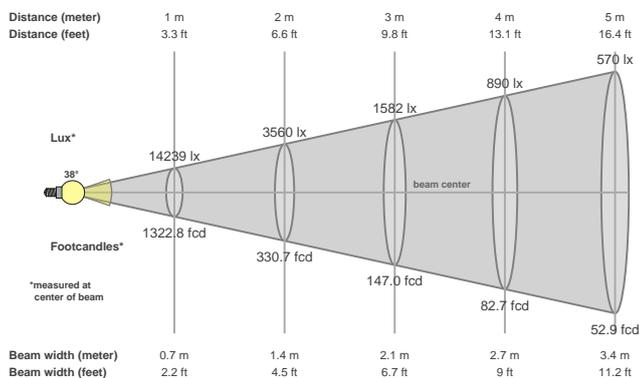


CRI R values



Color temperature	Color rendering index	Red component	Color fidelity	Color gamut	Color quality scale	Color coordinate cie 1931	Color coordinate cie 1931	Color coordinate	Color coordinate	Color divition from black body
CCT	CRI	CRI R9	TM30 Rf	TM30 Rg	CQS	x	y	u	v	Δuv
0 K	0.0	0.0	0.0	0.0	0.0	0.245	0.187	0.207	0.236	n/a

**Beam details**



**Beam angels**

Beam angle 50%	Field angle 10%	Cutoff angle 2,5%
37.8°	54.4°	67.1°

**Beam intensities**

Peak intensity	Int. ratio in 120° cone	Int. ratio in 90° cone
14239 cd	97.0%	96.0%

**Power**

Power	Power factor	Power frequency
510 W	1.0	0 Hz

Nominal voltage	Voltage	Current
230 V	115 V	4.42 A

**Beam intensities from 1-20m**

1m	2m	3m	4m	5m	6m	7m	8m	9m	10m	11m	12m	13m	14m	15m	16m	17m	18m	19m	20m
3.3ft	6.6ft	9.8ft	13.1ft	16.4ft	19.7ft	23ft	26.2ft	29.5ft	32.8ft	36.1ft	39.4ft	42.7ft	45.9ft	49.2ft	52.5ft	55.8ft	59.1ft	62.3ft	65.6ft
14239lx	3560lx	1582lx	890lx	570lx	396lx	291lx	222lx	176lx	142lx	118lx	99lx	84lx	73lx	63lx	56lx	49lx	44lx	39lx	36lx
1322.8fcd	330.7fcd	147fcd	82.7fcd	52.9fcd	36.7fcd	27fcd	20.7fcd	16.3fcd	13.2fcd	10.9fcd	9.2fcd	7.8fcd	6.7fcd	5.9fcd	5.2fcd	4.6fcd	4.1fcd	3.7fcd	3.3fcd

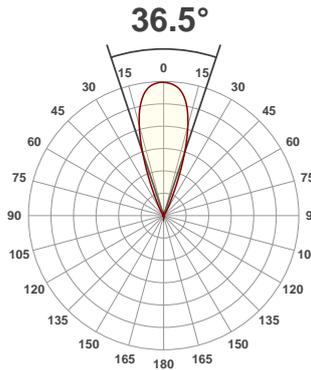
**Light efficiency:**



**Light quality:**



**Color temperature:**



Product name:

**Chorus Line16**

Test:

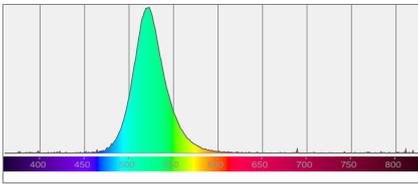
**Zoom Out Green**

Date:

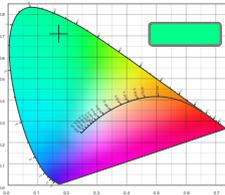
**7/20/2017**

Output: 2553 lm Power consumption: 220 W Peak: 6643 cd

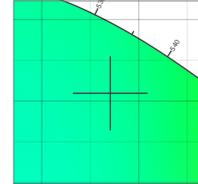
Spectral distribution



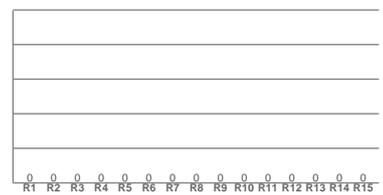
Color coordinates



Zoom color point

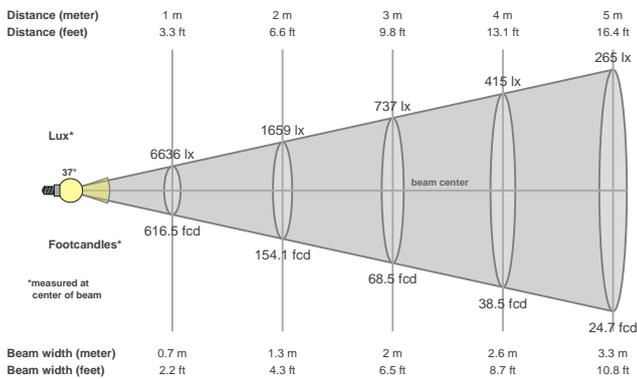


CRI R values



Color temperature	Color rendering index	Red component	Color fidelity	Color gamut	Color quality scale	Color coordinate cie 1931	Color coordinate cie 1931	Color coordinate	Color coordinate	Color divition from black body
CCT	CRI	CRI R9	TM30 Rf	TM30 Rg	CQS	x	y	u	v	Δuv
0 K	0.0	0.0	0.0	0.0	0.0	0.171	0.710	0.061	0.381	n/a

**Beam details**



**Beam angles**

Beam angle 50%	Field angle 10%	Cutoff angle 2,5%
36.5°	53.3°	66.1°

**Beam intensities**

Peak intensity	Int. ratio in 120° cone	Int. ratio in 90° cone
6643 cd	95.7%	94.5%

**Power**

Power	Power factor	Power frequency
220 W	0.99	60 Hz

Nominal voltage	Voltage	Current
230 V	115 V	1.93 A

**Beam intensities from 1-20m**

1m	2m	3m	4m	5m	6m	7m	8m	9m	10m	11m	12m	13m	14m	15m	16m	17m	18m	19m	20m
3.3ft	6.6ft	9.8ft	13.1ft	16.4ft	19.7ft	23ft	26.2ft	29.5ft	32.8ft	36.1ft	39.4ft	42.7ft	45.9ft	49.2ft	52.5ft	55.8ft	59.1ft	62.3ft	65.6ft
6636lx	1659lx	737lx	415lx	265lx	184lx	135lx	104lx	82lx	66lx	55lx	46lx	39lx	34lx	29lx	26lx	23lx	20lx	18lx	17lx
616.5fcd	154.1fcd	68.5fcd	38.5fcd	24.7fcd	17.1fcd	12.6fcd	9.6fcd	7.6fcd	6.2fcd	5.1fcd	4.3fcd	3.6fcd	3.1fcd	2.7fcd	2.4fcd	2.1fcd	1.9fcd	1.7fcd	1.5fcd

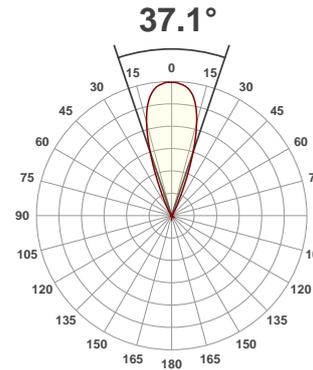
**Light efficiency:**



**Light quality:**



**Color temperature:**



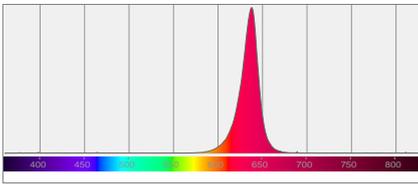
**Product name:**  
**Chorus Line16**

**Test:**  
**Zoom Out Red**

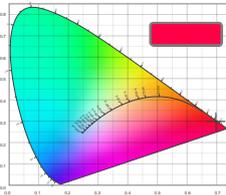
**Date:**  
**7/20/2017**

**Output: 1511 lm Power consumption: 163 W Peak: 3776 cd**

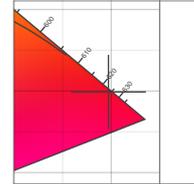
**Spectral distribution**



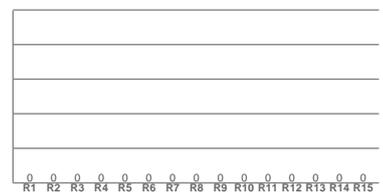
**Color coordinates**



**Zoom color point**

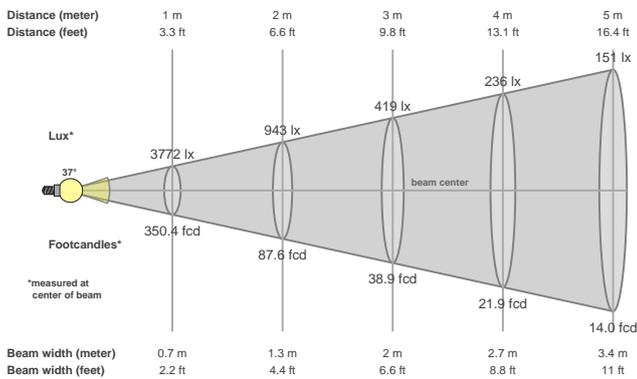


**CRI R values**



Color temperature	Color rendering index	Red component	Color fidelity	Color gamut	Color quality scale	Color coordinate cie 1931	Color coordinate cie 1931	Color coordinate	Color coordinate	Color divition from black body
CCT	CRI	CRI R9	TM30 Rf	TM30 Rg	CQS	x	y	u	v	Δuv
0 K	0.0	0.0	0.0	0.0	0.0	0.697	0.299	0.537	0.345	n/a

**Beam details**



**Beam angels**

Beam angle 50%	Field angle 10%	Cutoff angle 2,5%
37.1°	53.5°	66.6°

**Beam intensities**

Peak intensity	Int. ratio in 120° cone	Int. ratio in 90° cone
3776 cd	94.3%	93.0%

**Power**

Power	Power factor	Power frequency
163 W	0.99	60 Hz

Nominal voltage	Voltage	Current
230 V	116 V	1.42 A

**Beam intensities from 1-20m**

1m	2m	3m	4m	5m	6m	7m	8m	9m	10m	11m	12m	13m	14m	15m	16m	17m	18m	19m	20m
3.3ft	6.6ft	9.8ft	13.1ft	16.4ft	19.7ft	23ft	26.2ft	29.5ft	32.8ft	36.1ft	39.4ft	42.7ft	45.9ft	49.2ft	52.5ft	55.8ft	59.1ft	62.3ft	65.6ft
3772lx	943lx	419lx	236lx	151lx	105lx	77lx	59lx	47lx	38lx	31lx	26lx	22lx	19lx	17lx	15lx	13lx	12lx	10lx	9lx
350.4fcd	87.6fcd	38.9fcd	21.9fcd	14fcd	9.7fcd	7.2fcd	5.5fcd	4.3fcd	3.5fcd	2.9fcd	2.4fcd	2.1fcd	1.8fcd	1.6fcd	1.4fcd	1.2fcd	1.1fcd	1fcd	0.9fcd

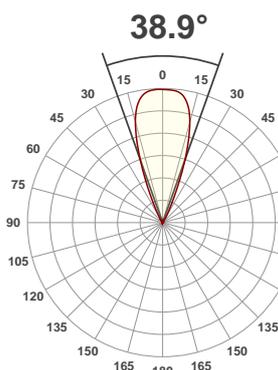
**Light efficiency:**



**Light quality:**



**Color temperature:**



**Product name:**

**Chorus Line16**

**Test:**

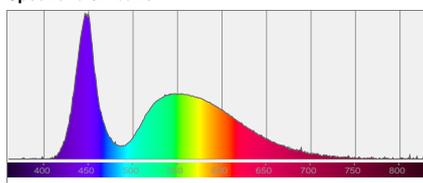
**Zoom Out White**

**Date:**

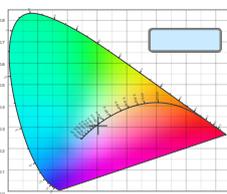
**7/20/2017**

**Output: 3605 lm Power consumption: 196 W Peak: 8521 cd**

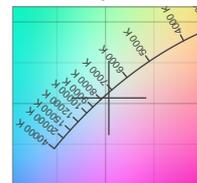
**Spectral distribution**



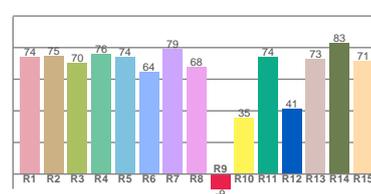
**Color coordinates**



**Zoom color point**

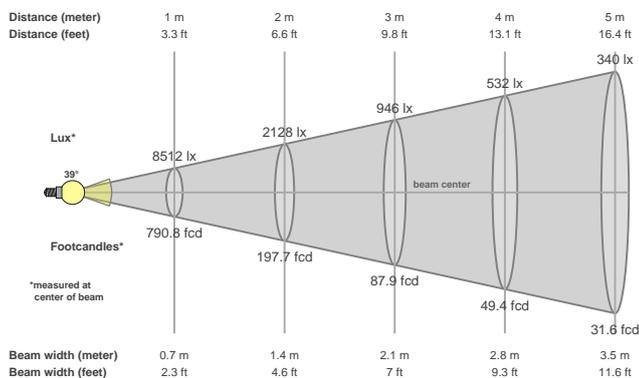


**CRI R values**



Color temperature	Color rendering index	Red component	Color fidelity	Color gamut	Color quality scale	Color coordinate cie 1931	Color coordinate cie 1931	Color coordinate	Color coordinate	Color divition from black body
CCT	CRI	CRI R9	TM30 Rf	TM30 Rg	CQS	x	y	u	v	Δuv
7351 K	72.6	-9.4	66.7	95.2	68.2	0.303	0.307	0.200	0.303	0.0068

**Beam details**



**Beam angles**

Beam angle 50%	Field angle 10%	Cutoff angle 2,5%
38.9°	55.2°	67.4°

**Beam intensities**

Peak intensity	Int. ratio in 120° cone	Int. ratio in 90° cone
8521 cd	96.5%	95.6%

**Power**

Power	Power factor	Power frequency
196 W	0.99	60 Hz

Nominal voltage	Voltage	Current
230 V	115 V	1.72 A

**Beam intensities from 1-20m**

1m	2m	3m	4m	5m	6m	7m	8m	9m	10m	11m	12m	13m	14m	15m	16m	17m	18m	19m	20m
3.3ft	6.6ft	9.8ft	13.1ft	16.4ft	19.7ft	23ft	26.2ft	29.5ft	32.8ft	36.1ft	39.4ft	42.7ft	45.9ft	49.2ft	52.5ft	55.8ft	59.1ft	62.3ft	65.6ft
8512lx	2128lx	946lx	532lx	340lx	236lx	174lx	133lx	105lx	85lx	70lx	59lx	50lx	43lx	38lx	33lx	29lx	26lx	24lx	21lx
790.8fcd	197.7fcd	87.9fcd	49.4fcd	31.6fcd	22fcd	16.1fcd	12.4fcd	9.8fcd	7.9fcd	6.5fcd	5.5fcd	4.7fcd	4fcd	3.5fcd	3.1fcd	2.7fcd	2.4fcd	2.2fcd	2fcd