



CHORUS LINE 16™



CHORUS LINE 16™ is a 16 pixel bar wash luminaire featuring 40W 4-in-1 RGBW LEDs, motorized 4° to 40° zoom and 220° tilt movement, full pixel control, 2,700K - 7,000K adjustable linear color temperature, 64 color presets and 14 unique color macros, electronic strobe and 16-bit variable dimming curve modes, adjustable LED refresh rate frequency and gamma brightness for flicker free operation for TV and FILM, DMX, RDM, Kling-NET, and Art-NET protocol support, DMX, RJ45 ethernet, and Locking Power Cable in/out connections, 4 button LCD control panel display, dual quick-lock omega bracket rigging, and a multi-voltage universal auto switching power supply (100-240v).

FEATURES

16 Pixel Bar Wash Luminaire with 40W 4-in-1 RGBW LEDs

Motorized 4° to 40° Zoom and 220° Tilt Movement

RGBW Color Mixing and Full Pixel Control

2,700K - 7,000K Linear Color Temperature Range

64 Color Presets and 14 Unique Color Macros

Electronic Strobe, 16-bit Variable Dimming Curve Modes

Adjustable LED Refresh Rate Frequency

Adjustable LED GAMMA Brightness

Flicker Free Operation for TV and FILM

DMX, RDM, Kling-Net, Art-Net Protocol Support



SPECIFICATIONS

SOURCE

(16) 40W 4-in-1 RGBW LEDs
50,000 Hour Average LED Life*

*May vary depending on several factors including but not limited to: Environmental Conditions, Power/Voltage, Usage Patterns (On-Off Cycling), Control and Dimming.

PHOTOMETRIC DATA

5,700+ Total Lumens
20,478 LUX 1903 FC @16.4 ft (5m) (Full ON (4° Min Zoom)
570 LUX 53 FC @16.4 ft (5m) (Full ON (37° Max Zoom)
Zoom Range 4° - 40°
Beam Angle 4.6° - 37.8°
Field Angle 7.8° - 54.4°

EFFECTS

Motorized Zoom and 220° Tilt Movement
RGBW Color Mixing and Full Pixel Control
2,700K - 7,000K Linear Color Temperature Range
64 Color Presets and 14 Unique Color Macros
Electronic Strobe, 16-bit Variable Dimming Curve Modes

COLOR

RGBW

CONTROL / CONNECTIONS

3 DMX Channel Modes (78 total channels)
DMX, RDM, Kling-Net, and Art-Net Protocol Support
Adjustable LED Refresh Rate (900-25,000 Hz)
Adjustable LED Gamma Brightness (2.0, 2.2, 2.4, 2.8)
4 Button Touch Control Panel
180° Reversible LCD Menu Display
8 / 16-Bit Resolution Zoom and Tilt Movement
5pin DMX In/Out
RJ45 Ethernet In/Out
Locking Power Cable In/Out
With Wired Digital Communication Network

SIZE / WEIGHT

Length: 42.05" (1068mm)
Width: 7.44" (189mm)
Vertical Height: 11.46" (291mm)
Weight: 47.0 lbs (21.3 kg)

ELECTRICAL / THERMAL

AC 100-240V - 50/60Hz
739W Max Power Consumption
5°F to 113°F (-15°C to 45°C)
BTU/hr (+/- 10%) 2519.99

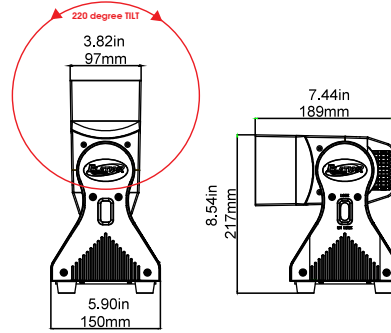
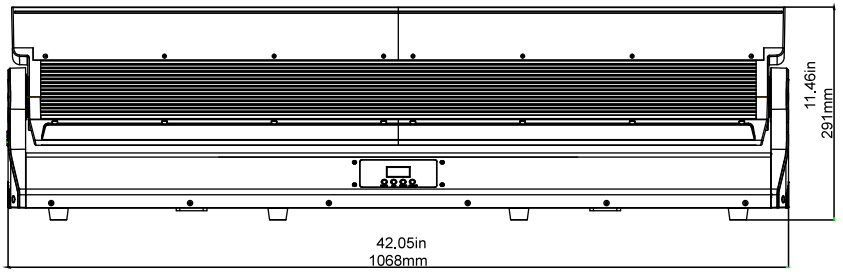
APPROVALS / RATINGS

CE | cETLus | IP30

INCLUDED ITEMS

Omega Brackets (x2)
Locking Power Cable

DIMENSIONS



ORDERING INFORMATION

PRODUCT ORDER CODE	
CHO012	CHORUS LINE 16
OPTIONAL ACCESSORIES ORDER CODES	
DRCCL16x6	6-Pack Road Case for Chorus Line 16
TRIGGER CLAMP	Heavy Duty Wrap Around Hook Style Clamp
AC5PDMX5PRO	5 ft. (1.5m) 5pin PRO DMX Cable
CAT6PRO5	5' (1.5m) CAT6 EtherCON Cable
NEU088	3' (1m) Locking Power Link Cable
	Additional cable lengths available



Specifications are subject to change without notice ©Elation Professional 10/15/20

Elation Professional USA | 6122 S. Eastern Ave. | Los Angeles, CA. 90040
323-582-3322 | 323-832-9142 fax | www.elationlighting.com | info@elationlighting.com

Elation Professional B.V. | Junostraat 2 | 6468 EW Kerkrade, The Netherlands
+31 45 546 85 66 | +31 45 546 85 96 fax | www.elationlighting.eu | info@elationlighting.eu