

# QH30SA

Anti-torsion



Square section heavy duty aluminium truss twist-resistant version with 29 cm long sides.

It substitutes the old Heavy Duty series QD30S and QD30SA.

It is characterized by the introduction of  $\varnothing 48 \times 3$  mm chords and  $\varnothing 20 \times 2$  mm diagonals on all the faces. This truss constitutes Varitower 3–30 and Flyintower 9.5-600.



Chords A  
extruded tube  $\varnothing 50 \times 2$  mm  
EN AW-6082 T6

Diagonals B  
extruded tube  $\varnothing 20 \times 2$  mm  
EN AW-6082 T6

Ends C  
aluminium casting plate  
EN AC-42200 T6

Connection systems  
QXFC: quick-fit kit  
QXSM10: bolt connection kit

#### Linear elements

code	cm	kg
QU4OADP010	40 x 40 x 10	4.4
QU3OADP019M5	29 x 29 x 19.5	3.4
QX40SA025	40 x 40 x 25	5.0
QX40SA050	40 x 40 x 50	6.7
QX40SA100	40 x 40 x 100	10.0
QX40SA150	40 x 40 x 150	13.2
QX40SA200	40 x 40 x 200	16.6
QX40SA250	40 x 40 x 250	19.9
QX40SA300	40 x 40 x 300	23.2
QX40SA350	40 x 40 x 350	26.5
QX40SA400	40 x 40 x 400	29.8

#### Corners and fittings

code	cm	kg
FX30C4	29 x 29 x 5	3.3
QX30C8	29 x 29 x 29	9.0
FU30K4	29 x 29 x 5	3.7
QU30K8	29 x 29 x 29	9.5
QX30SAL2045	100 x 100 x 29	8.5
QX30SAL2060	100 x 100 x 29	9.2
QX30SAL2090	50 x 50 x 29	5.9
QX30SAL2120	50 x 50 x 29	6.9
QX30SAL2135	50 x 50 x 29	6.3
QX30SAL3	50 x 50 x 50	8.2
QX30SAT3	50 x 50 x 29	7.3
QX30SAT4	50 x 50 x 50	9.7
QX30SAX4	50 x 50 x 29	8.2
QX30SAX5	50 x 50 x 50	9.9
QX30SAX6	50 x 50 x 50	11.2
QX30SAACL	29 x 21 x 29	4.5
QX30SAACS	29 x 10.5 x 29	4.2
QX30SAACSC	29 x 12.4 x 29	5.2



### Load table / Spigot connection

SPAN	Unif. distributed load			Centre point load			Third point load			Quarter point load			Fifth point load		
	Point load	Full load	Central deflection	Point load	Full load	Central deflection	Point load	Full load	Central deflection	Point load	Full load	Central deflection	Point load	Full load	Central deflection
m	kg/m	kg	mm	kg	kg	mm	kg	kg	mm	kg	kg	mm	kg	kg	mm
1	2775	2775	0	2775	2775	0	1387	2775	0	925	2775	0	694	2775	0
2	1384	2768	2	2677	2677	3	1384	2768	2	923	2768	2	692	2768	2
3	920	2760	6	1894	1894	6	1335	2670	7	920	2760	7	690	2760	7
4	688	2753	13	1454	1454	11	1046	2092	14	753	2259	14	614	2454	14
5	492	2462	24	1175	1175	18	855	1709	22	603	1809	22	494	1976	23
6	340	2039	34	982	982	26	720	1439	33	501	1503	32	412	1649	33
7	248	1734	46	840	840	36	619	1239	45	427	1282	43	352	1410	45
8	188	1503	60	732	732	47	542	1083	59	371	1114	57	307	1227	60
9	147	1323	76	646	646	60	480	960	76	327	981	72	271	1083	76
10	118	1176	94	576	576	75	429	859	94	291	874	89	241	966	94
11	96	1056	114	518	518	91	387	774	114	262	785	108	217	869	114
12	79	954	136	469	469	109	351	703	136	237	710	129	197	786	135
13	67	866	159	427	427	129	320	641	161	215	645	151	179	715	159
14	56	790	185	390	390	150	294	587	187	196	589	176	163	654	185
15	48	723	212	357	357	173	270	540	215	180	539	202	150	600	213
16	42	664	241	328	328	198	249	497	246	165	495	230	138	551	242
17	36	611	272	302	302	225	230	459	278	152	456	260	127	508	274
18	31	563	305	278	278	254	213	425	313	140	420	292	117	469	307

### Cantilever load table / Spigot connection

SPAN	Unif. distributed load			Centre point load	
	kg/m	kg	mm	kg	mm
1	1384	1384	1	1337	3
2	663	1327	8	726	11
3	310	930	19	490	26
4	176	704	34	365	46
5	112	559	54	287	73
6	76	457	78	234	104

### Axial load table

SPAN	kg
m	
3	8873
6	4521
9	2112
12	1212

Load table has been prepared in accordance with UNI ENV 1999-1-1 (Eurocode 9). When calculating the allowable loads it is assumed that the load is suspended from the bottom chord and the truss is supported from the top chord at each end. The values shown in the table are the allowable static loads that can be applied to the truss. This is the live load or the payload.


The self weight of the truss has been taken into account when calculating the values in the table. It should be noted that this are idealised loading conditions and the User shall re-analyze the truss for the loading conditions which prevail for the application being considered.

# QH30SA System



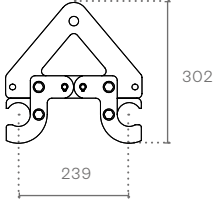


To further enhance the standard products, LITEC offers a wide range of corners, connections and accessories useful for many different applications and needs. "Quick connect" or "nult & bolt connect". End-plated trusses allow to use two different systems of connection. The quick-fit system is certainly the most wide-spread and mainly used when the structure is frequently assembled and dismantled. In case of permanent installations, on the other hand, a more economical bolt connection system may be used.

Our plate is made in such a way that bolts may be completely inserted so that there are no edges or external protuberances which could damage canvases or other fabrics or which might simply be unaesthetic on certain structures.

## Connections

				
<b>KSG</b> Litectruss aluminium spigot, set of 10	<b>KCP</b> R-spring, set of 100	<b>KSP</b> Steel pin, set of 10	<b>K370</b> Half truss spigot + 1 steel pin + 1 R-spring (not for Dado)	<b>KSF</b> Threaded pin, set of 12
				
<b>KCFs</b> Kit for vert. connec incl. bolts, spigots and accessories	<b>QXFC</b> Quick connection set for Q Series	<b>QXSM10</b> Bolt connection set for 30 - 40 series	<b>QXCFC</b> 4 special steel half spigots with screws for Light Duty Dado	<b>QUKFC</b> 4 special steel half spigots with screws for Heavy Duty Dado

## Accessories

				
<b>QH30SAACS</b> ST 29 cm. square Clamp module short	<b>QH30SAACL</b> ST 29 cm. square Clamp for Towerlift/Varitower	<b>QU30ADPO10M5</b> Universal Adapter 29 cm square - Length 10.5 cm	<b>CBT3040</b> 2 points Bridle Hook for 29/40 cm. truss	
				
<b>QU30ADPO21</b> Universal Adapter 29 cm square - Length 21 cm	<b>FP30</b> Universal 29 cm truss floor plate (30 x 30 cm)	<b>FP30M</b> Universal 29 cm truss large floor plate (50 x 50 cm)	<b>C030</b> Bar hook for 29 cm. truss	



**TZ30K01**  
 Assembly tool for half-spigot in 25&29cm side trusses with Heavy Duty Dado



**TZ30C01**  
 Assembly tool for half-spigot in 25&29cm side trusses with Light Duty Dado



**CS029-40**  
 Ceiling support for 30-40 truss series - silver



**QU3040H050**  
 30-40 Special Truss L=050 with hoist support



**CL2D50**  
 Transport clip. Plastic casting for truss stacking. Fits 48 - 51 mm tube



**XT-290-PC**  
 Clip for cladding trusses with felt or other lightweight materials



**QU30TR**  
 Lighting support



**QU30TRC**  
 Lighting support diameter 100 cm



**CO30WB**  
 29 cm wall bracket W/half couplers



**CBQ3040**  
 4 points Bridle Hook for 29/40 cm. truss

## Dados, Corners & fittings



**QH30SAL2045**  
 HD 29 cm. square 2 way 45° corner



**QH30SAL2060**  
 HD 29 cm. square 2 way 60° corner



**QH30SAL2090**  
 HD 29 cm. square 2 way 90° corner



**QH30SAL2120**  
 HD 29 cm. square 2 ways 120° corner, ext. vertex



**QH30SAL2135**  
 HD 29 cm. square 2 way 135° corner, int. vertex



**QH30SAL3**  
 HD 29 cm. square 3 way corner



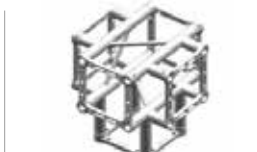
**QH30SAT3**  
 HD 29 cm. square 3 way tee



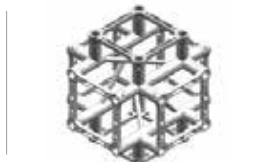
**QH30SAT4**  
 HD 29 cm. square 4 way tee



**QH30SAX4**  
 HD 29 cm. square 4 way cross



**QH30SAX5**  
 HD 29 cm. square 5 way cross



**QH30SAX6**  
 HD 29 cm. square 6 way cross



**Q30SL2ADJ**  
 Adjustable two way corner



**QU30BHH**  
 Truss Hinge 29 cm square

## Heavy duty Dado



**FU30K4**  
 DADO 6 way flat corner (4 nodules) K4 is the HD DADO version for square and flat section structures



**QU30K8**  
 Dado 6 way box corner (8 nodules) K8 is the HD DADO version for square section structures