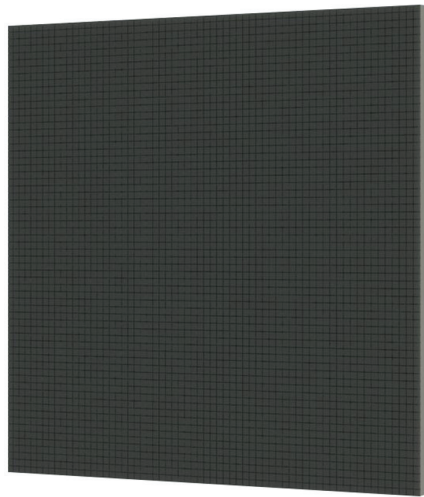


7.8mm LED Floor

GENERAL SPECIFICATION



PIXEL

Pixel Configuration	3-in-1
LEDs Per Area LED/m ²	49,152
Physical Pixel Pitch (mm)	7.8
Physical Pixel Resolution (W)	64 Pixels
Physical Pixel Resolution (H)	64 Pixels
Physical Pixel Resolution	4,096 Pixels
Physical Pixels Per Area	16,384 Pixels m ²

POWER

Input Voltage VAC	100/250
Input Power (Frequency) (Hz)	50/60
Input Power (Average) (watts)	130

MODULE

Active Module Width (mm)	500
Active Module Height (mm)	500
Active Module Area (m ²)	0.25
Module Depth (mm)	60
Module Weight (kg)	10.5
LED Tile Width (mm)	250
LED Tile Height (mm)	250
Viewing Angle - Horizontal	140
Viewing Angle - Vertical	140
Ingress Protection (Front)	IP43 (IP54 optional)
Ingress Protection (Back)	IP43 (IP54 optional)
Surface Finish	Aluminium
LED Fixings	Magnetic turrets
Storage Temperature Range	-40 to +85
Operating Temperature	10 to +40
Operating Humidity Range %	10 to 90 Non-cond

COLOUR

Processing Depth colours	16bit
Refresh Rate (Hz)	1,000

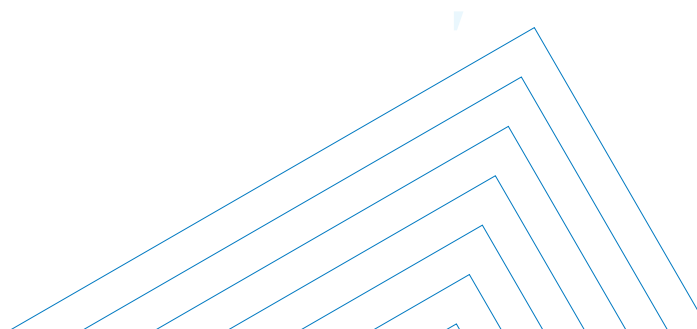
BRIGHTNESS

Brightness (After Calib) nits	1,000 - 2,000
Brightness Control	256 Levels

ORDER WITH US TODAY

P: +44 (0) 1279 624 840 E: europe@4wall.com W: www.4wall.com

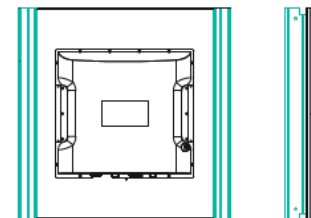
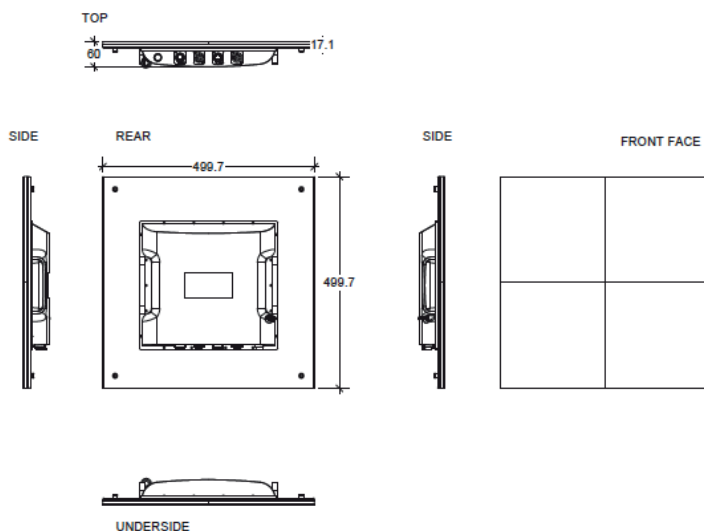
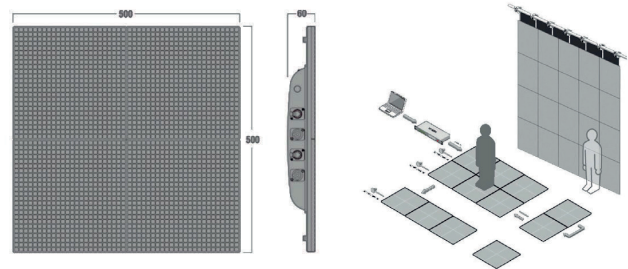
VIDEO | LIGHTING | RIGGING



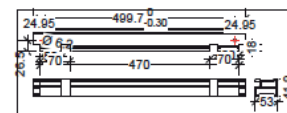
7.8mm LED Floor

GENERAL SPECIFICATION

Lifespan hours	50,000
Computer System Type	PC Win7, Vista, XP
Video Input	VGA, DVI, HDMI
Connectors	Neutrik
Maximum supported weight	1200kg/m ²



Support and connector bar



KEY FEATURES

▪ DURABLE, HIGH IMPACT

With a weight bearing limit of 1,200kgs per square metre, the 7.8mm LED can withstand the weight of an SUV or car, making it durable enough for high-intensity environments.

▪ HIGH QUALITY

A modular floor with the ability to provide eye-catching video floorscapes. Ideal for promotional stands, exhibitions, product launches and conference arrangements.

▪ CLEAR PICTURE

With a pixel pitch of just 7.8mm, this is an LED flooring solution that can be used in environments where visitors are standing directly above or on top of the screen. Wide viewing angles, ensures that the picture retains clarity, even when visitors are located in close proximity to the screen.

▪ LIGHTWEIGHT AND FANLESS

The 7.8mm LED is easy to install and construct on an aluminum framework to provide a level and smooth surface. Fanless and lightweight in design, it is suitable for low-noise environment to create a seamless, stunning finish.

ORDER WITH US TODAY

P: +44 (0) 1279 624 840 E: europa@4wall.com W: www.4wall.com

VIDEO | LIGHTING | RIGGING