

DARTZ 360

user manual

ELATION | DARTZ 360™ | user manual

©2018 ELATION PROFESSIONAL all rights reserved. Information, specifications, diagrams, images, and instructions herein are subject to change without notice. ELATION PROFESSIONAL logo and identifying product names and numbers herein are trademarks of ELATION PROFESSIONAL. Copyright protection claimed includes all forms and matters of copyrightable materials and information now allowed by statutory or judicial law or hereinafter granted. Product names used in this document may be trademarks or registered trademarks of their respective companies and are hereby acknowledged. All non-ELATION brands and product names are trademarks or registered trademarks of their respective companies.

ELATION PROFESSIONAL and all affiliated companies hereby disclaim any and all liabilities for property, equipment, building, and electrical damages, injuries to any persons, and direct or indirect economic loss associated with the use or reliance of any information contained within this document, and/or as a result of the improper, unsafe, insufficient and negligent assembly, installation, rigging, and operation of this product.

Elation Professional USA | 6122 S. Eastern Ave. | Los Angeles, CA. 90040

323-582-3322 | 323-832-9142 fax | www.elationlighting.com | info@elationlighting.com

Elation Professional B.V. | Junostraat 2 | 6468 EW Kerkrade, The Netherlands

+31 45 546 85 66 | +31 45 546 85 96 fax | www.elationlighting.eu | info@elationlighting.eu



DOCUMENT VERSION

Due to additional product features and/or enhancements, an updated version of this document may be available online.

Please check Elation Service for the latest revision/update of this manual, before beginning installation and/or programming.

| Date | Document Version | Software Version ≥ | DMX Channel Modes | Notes |
|----------|------------------|--------------------|-------------------|--|
| 11/07/17 | 1 | 1.1.5 | 19 / 22 / 25 | Updated release. |
| 02/08/18 | 2 | 1.1.9 | NO CHANGE | Updated Installation Diagrams, unit now ships with 2 Omega Brackets. |

CONTENTS

| | |
|------------------------------------|----|
| General Information | 4 |
| Warranty | 6 |
| Safety Instructions and Guidelines | 7 |
| Overview | 9 |
| Installation | 10 |
| System Menu | 16 |
| E-FLY Wireless DMX Set Up | 20 |
| DMX Channel Functions And Values | 22 |
| Gobo Wheel | 26 |
| Error Codes | 27 |
| Cleaning and Maintenance | 28 |
| Technical Specifications | 29 |
| Optional Accessories | 31 |

GENERAL INFORMATION

INTRODUCTION

This fixture has been designed to perform reliably for years when the guidelines in this manual are followed. Please read and understand the instructions in this manual carefully and thoroughly before attempting to operate this unit. These instructions contain important information regarding safety during use and maintenance.

UNPACKING

Every fixture has been thoroughly tested and has been shipped in perfect operating condition. Carefully check the shipping carton for damage that may have occurred during shipping. If the carton appears to be damaged, carefully inspect your unit for damage and be sure all accessories necessary to operate the unit have arrived intact. In the event damage has been found or parts are missing, please contact our customer support team for further instructions. Please do not return this unit to your dealer without first contacting customer support at the number listed below. Please do not discard the shipping carton in the trash. Please recycle whenever possible.

BOX CONTENTS

- (2) Omega Brackets ([NOTE: Initial units shipped with single Omega Bracket design](#))
- (1) powerCON TRUE1 Cable
- (1) Safety Cable

CUSTOMER SUPPORT

Elation Professional® provides a customer support line, to provide set up help and to answer any question should you encounter problems during your set up or initial operation. You may also visit us on the web at www.elationlighting.com for any comments or suggestions. For service related issue please contact Elation Professional®.

ELATION SERVICE USA - Monday - Friday 8:00am to 5:00pm PST

Voice: 323-582-3322

Fax: 323-832-9142

E-mail: support@elationlighting.com

ELATION SERVICE EUROPE - Monday - Friday 08:30 to 17:00 CET

Voice: +31 45 546 85 30

Fax: +31 45 546 85 96

E-mail: support@elationlighting.eu

WARRANTY RETURNS

All returned service items whether under warranty or not, must be freight pre-paid and accompany a return authorization (R.A.) number. The R.A. number must be clearly written on the outside of the return package. A brief description of the problem as well as the R.A. number must also be written down on a piece of paper and included in the shipping container. If the unit is under warranty, you must provide a copy of your proof of purchase invoice. Items returned without a R.A. number clearly marked on the outside of the package will be refused and returned at customer's expense. You may obtain a R.A. number by contacting customer support.

IMPORTANT NOTICE!



There are no user serviceable parts inside this unit. Do not attempt any repairs yourself; doing so will void your manufactures warranty. Damages resulting from modifications to this fixture and/or the disregard of safety and general user instructions found in this user manual void the manufactures warranty and are not subject to any warranty claims and/or repairs.

LIMITED WARRANTY

A. Elation Professional® hereby warrants, to the original purchaser, Elation Professional® products to be free of manufacturing defects in material and workmanship for a period of two years (730 days), and Elation Professional® product rechargeable batteries to be free of manufacturing defects in material and workmanship for a period of six months (180 days), from the original date of purchase. This warranty excludes discharge lamps and all product accessories. This warranty shall be valid only if the product is purchased within the United States of America, including possessions and territories. It is the owner's responsibility to establish the date and place of purchase by acceptable evidence, at the time service is sought.

B. For warranty service, send the product only to the Elation Professional® factory. All shipping charges must be pre-paid. If the requested repairs or service (including parts replacement) are within the terms of this warranty, Elation Professional® will pay return shipping charges only to a designated point within the United States. If any product is sent, it must be shipped in its original package and packaging material. No accessories should be shipped with the product. If any accessories are shipped with the product, Elation Professional® shall have no liability what so ever for loss and/or or damage to any such accessories, nor for the safe return thereof.

C. This warranty is void if the product serial number and/or labels are altered or removed; if the product is modified in any manner which Elation Professional® concludes, after inspection, affects the reliability of the product; if the product has been repaired or serviced by anyone other than the Elation Professional® factory unless prior written authorization was issued to purchaser by Elation Professional®; if the product is damaged because not properly maintained as set forth in the product instructions, guidelines and/or user manual.

D. This is not a service contract, and this warranty does not include any maintenance, cleaning or periodic check-up. During the periods as specified above, Elation Professional® will replace defective parts at its expense, and will absorb all expenses for warranty service and repair labor by reason of defects in material or workmanship. The sole responsibility of Elation Professional® under this warranty shall be limited to the repair of the product, or replacement thereof, including parts, at the sole discretion of Elation Professional®. All products covered by this warranty were manufactured after January 1, 1990, and bare identifying marks to that effect.

E. Elation Professional® reserves the right to make changes in design and/or performance improvements upon its products without any obligation to include these changes in any products theretofore manufactured.

F. No warranty, whether expressed or implied, is given or made with respect to any accessory supplied with the products described above. Except to the extent prohibited by applicable law, all implied warranties made by Elation Professional® in connection with this product, including warranties of merchantability or fitness, are limited in duration to the warranty periods set forth above. And no warranties, whether expressed or implied, including warranties of merchantability or fitness, shall apply to this product after said periods have expired. The consumer's and/or dealer's sole remedy shall be such repair or replacement as is expressly provided above; and under no circumstances shall Elation Professional® be liable for any loss and/or damage, direct and/or consequential, arising out of the use of, and/or the inability to use, this product.

G. This warranty is the only written warranty applicable to Elation Professional® products and supersedes all prior warranties and written descriptions of warranty terms and conditions heretofore published.

SAFETY INSTRUCTIONS AND GUIDELINES

This fixture is an extremely sophisticated piece of electronic equipment. To guarantee a smooth operation, it is important to follow all instructions and guidelines in this manual. The manufacturer of this device is not responsible for injury and/or damages resulting from the misuse of this fixture due to the disregard of the information printed in this manual. Only qualified and/or certified personnel should perform installation of this fixture and only the original rigging parts (omega brackets) included with this fixture should be used for installation. Any modifications to the fixture and/or the mounting hardware included will void the original manufactures warranty and increase the risk of damage and/or personal injury.



PROTECTION CLASS 1 - FIXTURE MUST BE PROPERLY GROUNDED



DO NOT PLUG FIXTURE INTO A DIMMER PACK!

NEVER OPEN THIS FIXTURE WHILE IN USE!

UNPLUG POWER BEFORE SERVICING FIXTURE!

NEVER TOUCH FIXTURE DURING OPERATION, AS IT MAY BE HOT!

KEEP FLAMMABLE MATERIALS AWAY FROM FIXTURE!



INDOOR / DRY LOCATIONS USE ONLY!

DO NOT EXPOSE FIXTURE TO RAIN AND MOISTURE!



LOOK DIRECTLY INTO THE LIGHT SOURCE!

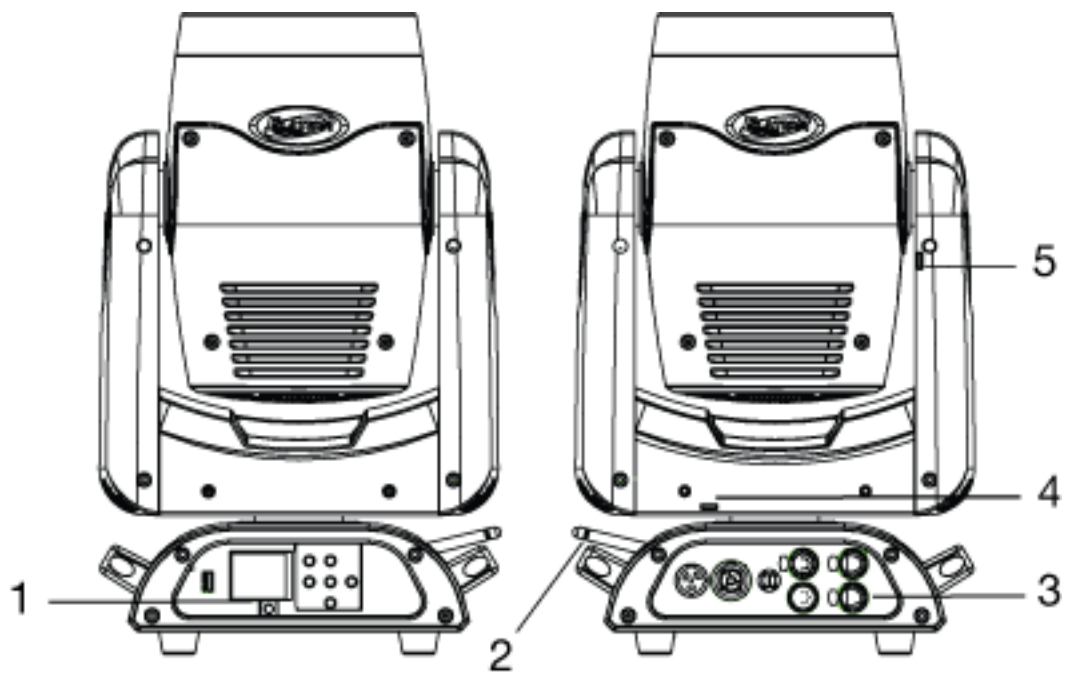
RETINA INJURY RISK - MAY INDUCE BLINDNESS!

SENSITIVE PERSONS MAY SUFFER AN EPILEPTIC SHOCK!

SAFETY INSTRUCTIONS AND GUIDELINES



- **DO NOT TOUCH** the fixture housing during operation. Turn OFF the power and allow approximately 15 minutes for the fixture to cool down before serving.
- **DO NOT** shake fixture, avoid brute force when installing and/or operating fixture.
- **DO NOT** operate fixture if the power cord has become frayed, crimped, damaged and/or if any of the power cord connectors are damaged and do not insert into the fixture securely with ease. **NEVER** force a power cord connector into the fixture. If the power cord or any of its connectors are damaged, replace it immediately with a new one of similar power rating.
- **DO NOT** block any air ventilation slots. All fan and air inlets must remain clean and never blocked. Allow approx. 6" (15cm) between fixture and other devices or a wall for proper cooling.
- When installing fixture in a suspended environment, always use mounting hardware that is no less than M10 x 25 mm, and always install fixture with an appropriately rated safety cable.
- Always disconnect fixture from main power source before performing any type of service and/or cleaning procedure. Only handle the power cord by the plug end, never pull out the plug by tugging the wire portion of the cord.
- During the initial operation of this fixture, a light smoke or smell may emit from the interior of the fixture. This is a normal process and is caused by excess paint in the interior of the casing burning off from the heat associated with the lamp and will decrease gradually over time.
- Consistent operational breaks will ensure the fixture will function properly for many years to come.
- **ONLY** use the original packaging and materials to transport fixture in for service.

OVERVIEW



1. LCD Control Menu Display & Buttons, Wireless Indicator, USB Update
2. E-FLY Wireless Antennae
3. powerCON TRUE1, 5pin DMX, RJ45 Ethernet IN/OUT, Fuse
4. Pan Lock
5. Tilt Lock

INSTALLATION

| | |
|---|---|
|  | FLAMMABLE MATERIAL WARNING Keep fixture at least 5.0 feet (1.5m) away from any flammable materials, decorations, pyrotechnics, etc. |
|  | ELECTRICAL CONNECTIONS A qualified electrician should be used for all electrical connections and/or installations. |

DO NOT INSTALL THE FIXTURE IF YOU ARE NOT QUALIFIED TO DO SO!

Fixture MUST be installed following all local, national, and country commercial electrical and construction codes and regulations.

Before rigging/mounting the fixture to any metal truss/structure or placing the fixture on any surface, a professional equipment installer MUST be consulted to determine if the metal truss/structure or surface is properly certified to safely hold the combined weight of the fixture, clamps, cables, and accessories.

Fixture ambient operating temperature range is **14° to 113°F. (-10° to 45°C)**

Do not use the fixture under or above this temperature.

Fixture should be installed in areas outside walking paths, seating areas, or away from areas where unauthorized personnel might reach the fixture by hand.

NEVER stand directly below the fixture when rigging, removing or servicing.

Overhead fixture installation must always be secured with a secondary safety attachment, such as an appropriately rated safety cable that can hold 10 times the weight of the fixture.

Allow approximately 15 minutes for the fixture to cool down before serving.

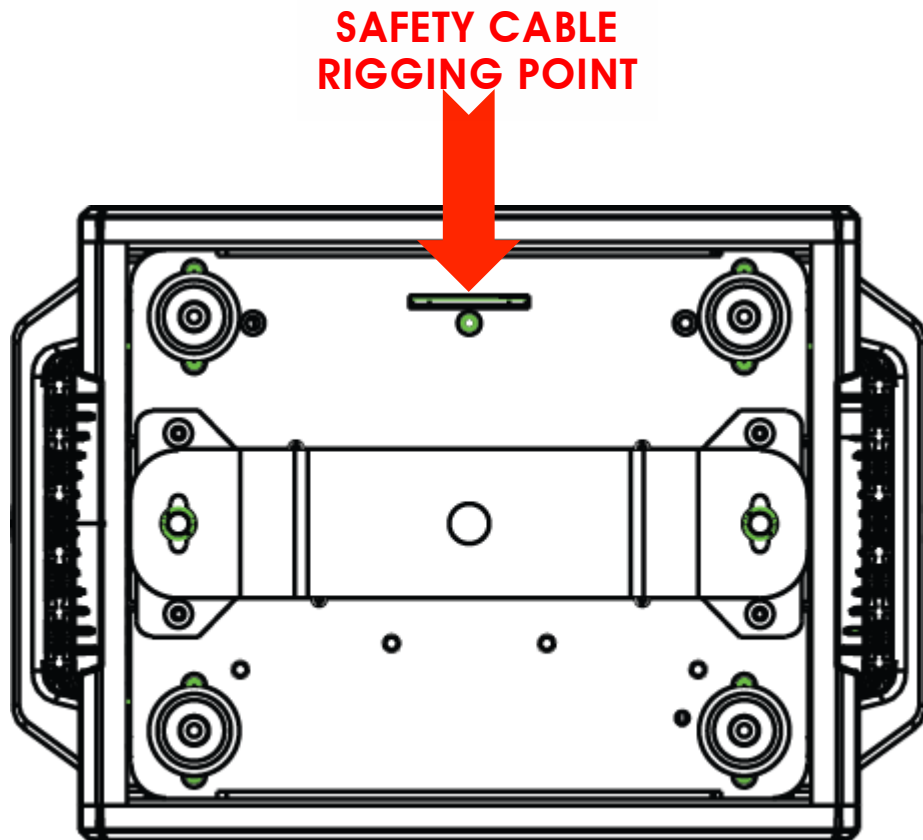
POWER LINKING

Max number of fixtures power linked together: **10 units @120V | 20 units @240V**

- ▶ **USE CAUTION WHEN POWER LINKING OTHER FIXTURES TO THIS FIXTURE AS THE POWER CONSUMPTION OF OTHER LIGHTING FIXTURES WILL VARY!**

OMEGA BRACKET INSTALLATION (INITIAL UNITS ONLY)

Insert the **Omega Bracket** into the matching holes on the bottom of the fixture. Secure the **Omega Bracket** to the fixture by turning each quick-lock fastener $\frac{1}{4}$ turn clockwise; making sure the fastener is completely locked.

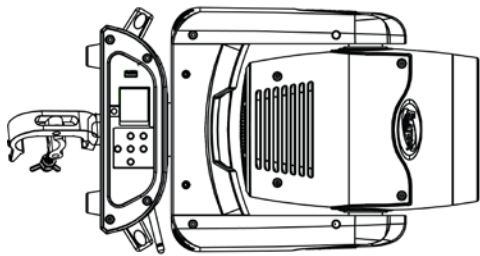
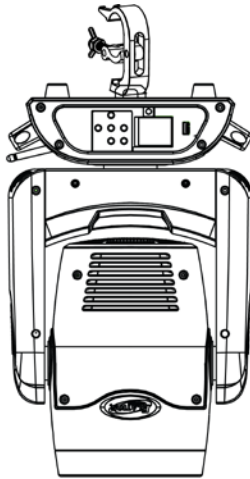


CLAMP INSTALLATION (INITIAL UNITS ONLY)

When mounting fixture to truss, be sure to secure an appropriately rated professional grade rigging clamp (not included) to the included **Omega Bracket** using an M10 screw fitted through the center hole of the **Omega Bracket**. The fixture provides a built-in rigging point for a **SAFETY CABLE**. Be sure to only use the designated rigging point for the safety cable and never secure a safety cable to a carrying handle.

RIGGING (INITIAL UNITS ONLY)

Overhead rigging requires extensive experience, including amongst others calculating working load limits, installation material being used, and periodic safety inspection of all installation material and the fixture. If you lack these qualifications, do not attempt the installation yourself. Improper installation can result in bodily injury. Fixture is fully operational in the specific mounting positions illustrated below.

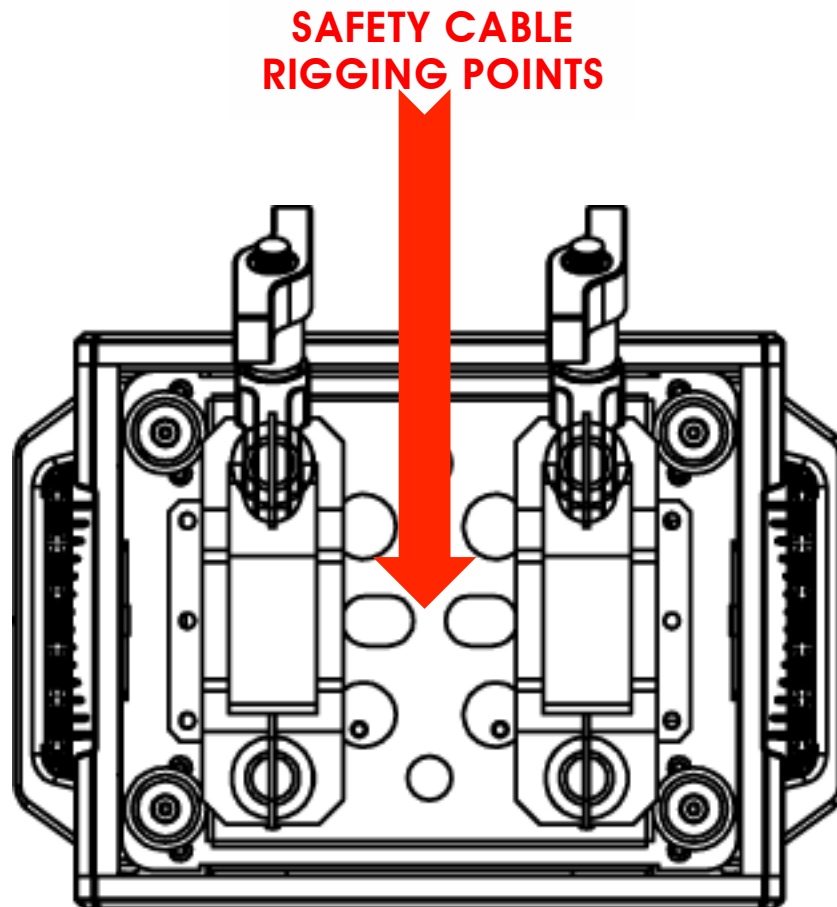


S A F E T Y C A B L E

**ALWAYS ATTACH A SAFETY CABLE
WHENEVER INSTALLING THIS FIXTURE
IN A SUSPENDED ENVIRONMENT TO
ENSURE THE FIXTURE WILL NOT DROP
IF THE CLAMP FAILS.**

OMEGA BRACKETS INSTALLATION (CURRENT UNITS NOW SHIPPING)

Insert both included **Omega Brackets** into the matching holes on the bottom of the fixture. Secure both **Omega Brackets** to the fixture by turning each quick-lock fastener ¼ turn clockwise; making sure the fastener is completely locked.

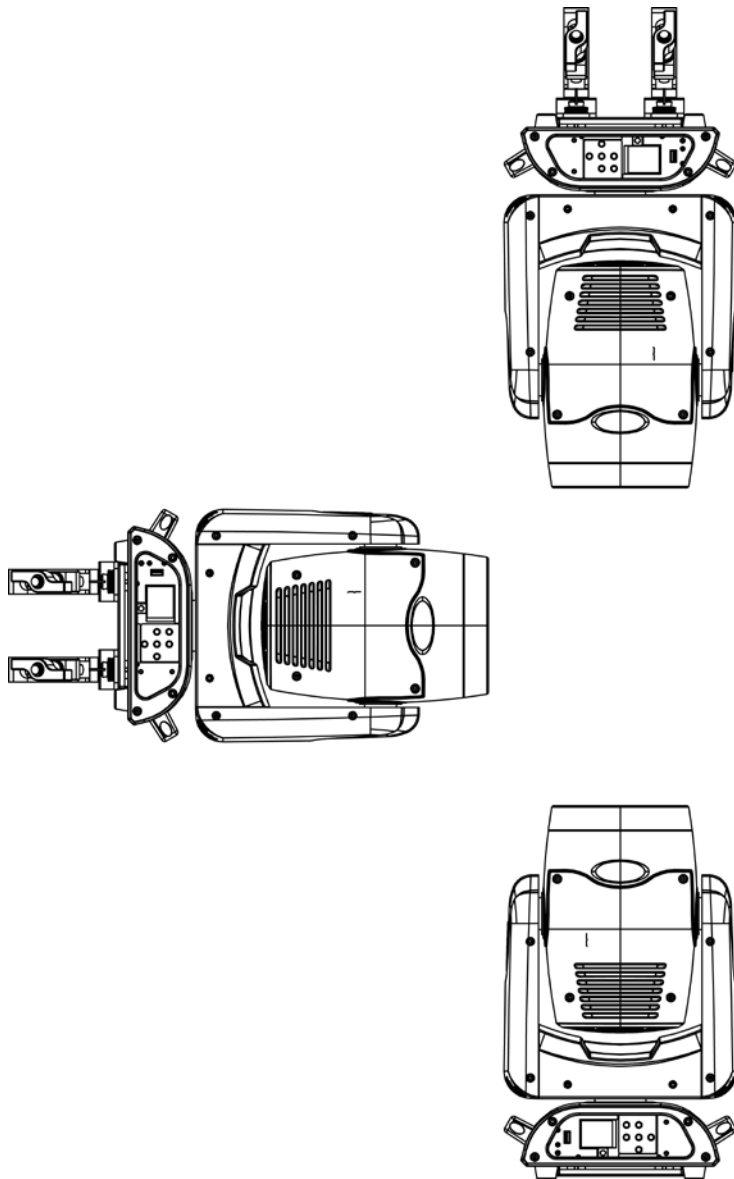


CLAMP (x2) INSTALLATION (CURRENT UNITS NOW SHIPPING)

When mounting fixture to truss, be sure to secure 2 appropriately rated professional grade rigging clamps (not included) to the included **Omega Brackets** using an M10 screw fitted through the center hole of the **Omega Brackets**. The fixture provides built-in rigging points for a **SAFETY CABLE**. Be sure to only use the designated rigging points for the safety cable and never secure a safety cable to a carrying handle.

RIGGING (CURRENT UNITS NOW SHIPPING)

Overhead rigging requires extensive experience, including amongst others calculating working load limits, installation material being used, and periodic safety inspection of all installation material and the fixture. If you lack these qualifications, do not attempt the installation yourself. Improper installation can result in bodily injury. Fixture is fully operational in the specific mounting positions illustrated below.



S A F E T Y C A B L E

**ALWAYS ATTACH A SAFETY CABLE
WHENEVER INSTALLING THIS FIXTURE
IN A SUSPENDED ENVIRONMENT TO
ENSURE THE FIXTURE WILL NOT DROP
IF THE CLAMP FAILS.**

ETHERNET CONNECTION

When connecting fixture to a network switch to control multiple devices, a **Gigabit Ethernet Switch** that supports **IGMP (Internet Group Management Protocol)** is required. Using a **Gigabit Ethernet Switch** that does not support **IGMP** can cause erratic behavior of all connected devices to the switch.

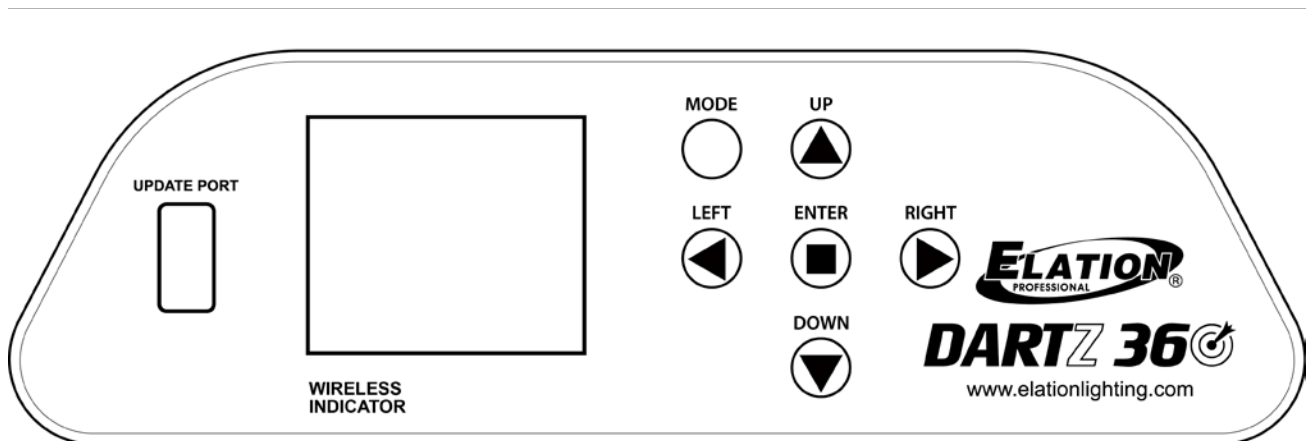
Click link below for more information about IGMP.

https://en.wikipedia.org/wiki/Internet_Group_Management_Protocol

SYSTEM MENU

The fixture includes an easy to navigate system menu. The control panel (see image below) located on the front of the fixture, provides access to the main system menu and is where all necessary system adjustments are made to the fixture. During normal operation, pressing **MODE/ESC** button once will access the fixture's main menu. Once in the main menu you can navigate through the different functions and access the sub-menus with the **UP**, **DOWN**, **RIGHT**, and **LEFT** buttons. Once you reach a field that requires adjusting, press the **ENTER** button to activate that field and use the **UP** and **DOWN** buttons to adjust the field. Pressing the **ENTER** button once more will confirm your setting. You may exit the main menu at any time without making any adjustments by pressing the **MODE/ESC** button.

- ▶ **NOTE:** To access the LCD Menu Control Display via the internal battery, press and hold the **MODE/ESC** button for 3 seconds. The LCD Menu Control Display will shut **OFF** automatically about 1 minute from the last button press.



ELATION® DARTZ 360™ SYSTEM MENU

Features are subject to change without any prior written notice.

Supports Software Versions: ≥ 1.1.5

| MAIN MENU | SUB MENU | OPTIONS / VALUES (Default Settings in BOLD) | DESCRIPTION | |
|-----------|--------------|---|--|--------------------------------------|
| Receive | Set Address | 001 ~ XXX | DMX Address Setting | |
| User Mode | User Mode | Basic (19 Channel) Standard (22 Channel) Extend (25 Channel) User A User B User C | Set DMX Channel / User Mode | |
| | Edit A | Max. Chan : Dim Modes | Edit User Defined Channel Assignments | |
| | Edit B | | | |
| | Edit C | | | |
| Function | Status | NoDMX Mode | Hold / Auto / Blackout | Function If NO DMX Detected |
| | | P.Reverse | ON / OFF | Pan Reverse Movement |
| | | T.Reverse | ON / OFF | Tilt Reverse Movement |
| | | Pan Degree | 630/ 540 | Pan Degree Select |
| | | Feedback | ON /OFF | Movement Feedback |
| | | Move. Speed | Speed 1 ~ 4 | Movement Mode Select |
| | | Dormancy | OFF, 01M~99M, 15M | Stand By Mode |
| | Fixtrure ID | Service PIN | PIN= 050 | Enter PIN to Access Fixture ID Menus |
| | | Universe | 0 -255 | Set DMX Universe (PSWD Required) |
| | | UnitIPAddr | XXX . XXX . XXX . XXX | Set Ethernet IP (PSWD Required) |
| | | Mask ADDR | XXX . XXX . XXX . XXX | Set Ethernet Mask IP (PSWD Required) |
| | Protocol Set | ArtNet , sACN | | Select Ethernet Protocol |
| | KlingNet | Enable , Disable | | Select KlingNet Protocol |
| | Net Switch | ON , OFF | | Enable Net Switch Function |
| | Dim Mode | Standard , Stage, TV, Architectur, Theatre | | Set Dimmer Curve Mode |
| | Temp. C/F | Celsius / Fahrenheit | | Temperature Switch Between C°/ F° |
| | Gamma | 2.0 , 2.2, 2.4, 2.8 | | Set Gamma Brightness |
| | Frequency | 900Hz , 1000Hz, 1100Hz, 1200Hz, 1300Hz, 1400Hz, 1500Hz, 2500Hz, 4000Hz, 5000Hz, 10Hz, 15Hz, 20Hz, 25Hz | | Set LED Refreash Frequency |
| | E-FLY | OFF , ON | | Enable E-FLY Wireless DMX |
| | Wireless | CH:00 , 01-14 | | Set E-FLY Wireless Channel |
| | Fan Set | Head Fan | Auto , High, Low | Set Head Fan Speed |
| | LCD. Set | Backlight | 02~60m 05m | LCD Backlight Shut Off Time |
| | | FlipDisplay | ON / OFF | Flip/Reverse LCD Display 180° |
| | | Key Lock | ON / OFF | Control Front Panel Buttons Key Lock |
| | | Disp Flash | ON / OFF | Display flashes when NO DMX |
| | Disp. Set | Chan. Value | ALL ~ Dim Modes | Value of each Channel Displayed |
| | | Slave Set | Slave 1 , Slave 2, Slave 3 | Set Slave Mode Preset |
| | | Auto.Pro | Alone , Master | Set Auto Program Mode |
| | DFSE | OFF , ON | | Restore Factory Settings |
| | USB Update | OFF , ON | | N/A - FUTURE OPTION TBA |

ELATION© DARTZ 360™ SYSTEM MENU

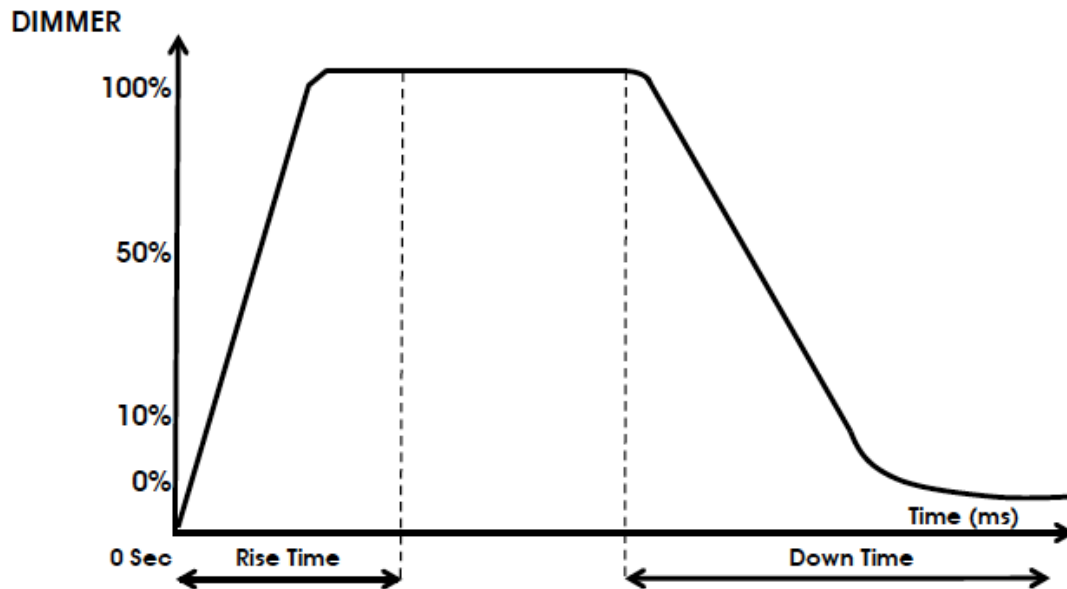
Features are subject to change without any prior written notice.

Supports Software Versions: ≥ 1.1.5

| MAIN MENU | SUB MENU | OPTIONS / VALUES (Default Settings in BOLD) | | DESCRIPTION |
|------------------|--------------|--|-----------------------------------|---|
| Information | Time. Info | CurrentTime | XXXX (Hours) | Fixture Run Time From Power ON |
| | | Total Time | XXXX (Hours) | Fixture Total Run Time |
| | | Last Time | XXXX (Hours) | Clear Fixture Last Run Time |
| | | Timer PIN | PIN= 050 | Enter PIN to Access Clear Last. Menu |
| | | Clear Last | ON / OFF | Reset Fixture Last Run Time |
| | Temp. Info | R:xxx F° | | Temperature of RED LED |
| | | G:xxx F° | | Temperature of GREEN LED |
| | | B:xxx F° | | Temperature of BLUE LED |
| | Fan Speed | Fan1 :xxxx RPM | | Speed of Fan1 |
| | | Fan2 :xxxx RPM | | Speed of Fan2 |
| | Error. Info | Error Record 1 ~ Error Record 10 | | Display 10 Recent Error Messages |
| | Model. Info | DARTZ 360 | | Display Model Name |
| | Software.V | 1U01: | V0.0.0 | Software Versions (Greater than or Equal to) |
| | | 2U01: | V0.0.0 | |
| 3U01: | | V0.0.0 | | |
| 4U01: | | V0.0.0 | | |
| 5U01: | | V0.0.0 | | |
| Test | Reset. Motor | All, Pan&Tilt, Fixed Gobo | | Reset of Motors |
| | TestChannel | Pan, Pan Fine, Tilt, Tilt Fine, Pan Rotate, Tilt Rotate, Red, Red Fine, Green, Green Fine, Blue, Blue Fine, Fixed Gobo, Prism1, Prism1Rot, Prism2, Prism2Rot, Strobe, Dimmer, Dim Fine, Focus, Frost, DimMode, P/T Speed, Reset/Prog | | Test Functions |
| | Panel. Ctrl | Pan,Tilt, Pan Rotate, Tilt Rotate, Red, Green, Blue, Fixed Gobo, Prism1, Prism1Rot, Prism2, Prism2Rot, Strobe, Dimmer, Dim Fine, Focus, Frost, DimMode, P/T Speed, Reset/Prog | | Fine Adjustments |
| | Calibrate | Password | Password= 050 | Calibration of Motors and LEDs |
| Program | Select. Pro | Auto Pro Part1 = Program 1~9 (Program 1) | | Select Programs To Be Run |
| | | Auto Pro Part2 = Program 1~9 (Program 2) | | |
| | | Auto Pro Part3 = Program 1~9 (Program 3) | | |
| | Edit. Pro | Program 1 | Program Test | Testing Program |
| | | : | Step 01=SCxxx | Program In Loop |
| | | Program 9 | Step 64=SCxxx | Save and Exit |
| | Edit. Sce | Scene 001 ~ Scene 250 | Pan,Tilt,..... | Save and Automatically Return |
| | | | --Fade Time-- --Scene Time-- | Manual Scenes Edit |
| Input By Outside | | | Stores Scenes via Ext DMX Console | |

DIMMER CURVE MODES - Dim Mode

Select desired DIMMER MODE (**Standard**, Stage, TV, Architectural, Theatre).



| Dimming Curve Ramp Effect | 0 sec Fade Time | | 1 sec Fade Time | |
|---------------------------|-----------------|----------------|-----------------|----------------|
| | Rise Time (ms) | Down Time (ms) | Rise Time (ms) | Down Time (ms) |
| Standard (default) | 0 | 0 | 0 | 0 |
| Stage | 780 | 1100 | 1540 | 1660 |
| TV | 1180 | 1520 | 1860 | 1940 |
| Architectural | 1380 | 1730 | 2040 | 2120 |
| Theatre | 1580 | 1940 | 2230 | 2280 |

TEST - Calibrate



ONLY QUALIFIED TECHNICIANS SHOULD PERFORM THIS FUNCTION.

This function allows small adjustments to be made to the Pan, Tilt, and Zoom movements to compensate for wear or in the event a sensor has been knocked slightly out of place. Because improper use of this function can result in undesired operation this function has been password protected. The password is **050** and must be entered each time the calibration menu function is entered. Because calibration is an extremely delicate procedure, instructions on performing this action are left out of this manual. For a first time calibrator, please contact our customer support team for step-by-step instructions.

E-FLY WIRELESS DMX SET UP



BEFORE SETTING THE WIRELESS CHANNEL ON ANY E-FLY FIXTURE, MAKE SURE THE SOURCE E-FLY WIRELESS DMX TRANSCEIVER DEVICE IS OFF.

TO CONTROL FIXTURE WITH E-FLY WIRELESS DMX SIGNAL

1. Make sure the source **E-FLY** wireless DMX Transceiver device is powered **OFF**.
2. Power **ON** fixture and enable E-FLY in the **E-FLY** sub menu of the **FUNCTION** main menu.
3. Set the **E-FLY** wireless channel (**00-14**) to the same wireless channel of the source **E-FLY** DMX Transceiver in the **Wireless** sub menu of the **FUNCTION** main system menu.



Erratic fixture movement may occur if other E-FLY wireless DMX products are in use in the same area and are using the same E-FLY wireless channel. The fixture may immediately start to respond to the DMX wireless signal from another E-FLY wireless DMX Transceiver immediately when E-FLY is enabled. Make sure to know what E-FLY wireless channels are being used in the area where fixture is being installed.

4. Set fixture DMX address in the **Set Dmx Address** sub menu of the **RECEIVE** main system menu.
5. If an **E-FLY** wireless DMX connection has been made with the fixture, the **E-FLY** signal Indicator on the LCD control panel will illuminate green.
6. Repeat this process for all **E-FLY** compatible fixtures in your **E-FLY** wireless network, making sure all fixtures are assigned the same wireless channel (**00-14**).
7. After all fixtures in your **E-FLY** wireless network have been set and powered **ON**, then power **ON** the source **E-FLY™** DMX Transceiver device.

WIRELESS E-FLY INSTALLATION LOCATION GUIDELINES

Wireless DMX signal can penetrate walls, glass, metal, and most objects. However there are many factors that can affect and/or interrupt the wireless DMX signal, one of which is people. Therefore it is highly recommended to position the wireless antenna a minimum of 9.8 ft. (3m) above audiences and/or above ground level. Careful planning and testing of the selected installation location is critical to ensure optimum and reliable wireless DMX operation.

9.8 ft (3m)
Above Ground



DMX CHANNEL FUNCTIONS AND VALUES

| ELATION© DARTZ 360™ | | | | |
|---|-------|--------|---------|--|
| DMX Channel Values / Functions (25 DMX Channels) | | | | |
| Supports Software Versions: ≥ 1.1.5 | | | | |
| Features are subject to change without any prior written notice. | | | | |
| <i>*Rotation direction (Clockwise or Counterclockwise) of effects depends on orientation of the fixture head and Pan/Tilt settings.</i> | | | | |
| MODE / CHANNEL | | | VALUE | FUNCTION |
| BASIC | STAND | EXTEND | | |
| 1 | 1 | 1 | | PAN MOVEMENT [8 BIT] |
| | | | 000-255 | PAN Movement |
| | 2 | 2 | | PAN FINE MOVEMENT [16 BIT] |
| | | | 000-255 | Fine Control of PAN Movement |
| 2 | 3 | 3 | | TILT MOVEMENT [8 BIT] |
| | | | 000-255 | TILT Movement |
| | 4 | 4 | | TILT MOVEMENT [16 BIT] |
| | | | 000-255 | Fine Control of TILT Movement |
| 3 | 5 | 5 | | PAN CONTINUOUS MOVEMENT |
| | | | 000-127 | NO FUNCTION |
| | | | 128-189 | PAN Clockwise from FAST to SLOW |
| | | | 190-193 | NO Rotation |
| | | | 194-255 | PAN Counter-Clockwise from SLOW to FAST |
| 4 | 6 | 6 | | TILT CONTINUOUS MOVEMENT |
| | | | 000-127 | NO FUNCTION |
| | | | 128-189 | TILT Clockwise from FAST to SLOW |
| | | | 190-193 | NO Rotation |
| | | | 194-255 | TILT Counter-Clockwise from SLOW to FAST |
| 5 | 7 | 7 | | RED |
| | | | 000-255 | Red (0-Black - 255-100%) |
| | | 8 | | RED FINE |
| | | | 000-255 | Red FINE Adjustment |
| 6 | 8 | 9 | | GREEN |
| | | | 000-255 | Green (0-Black - 255-100%) |
| | | 10 | | GREEN FINE |
| | | | 000-255 | Green FINE Adjustment |
| 7 | 9 | 11 | | BLUE |
| | | | 000-255 | Blue (0-Black - 255-100%) |
| | | 12 | | BLUE FINE |
| | | | 000-255 | Blue FINE Adjustment |

ELATION® DARTZ 360™
DMX Channel Values / Functions (25 DMX Channels)

Supports Software Versions: ≥ 1.1.5

Features are subject to change without any prior written notice.

**Rotation direction (Clockwise or Counterclockwise) of effects depends on orientation of the fixture head and Pan/Tilt settings.*

| MODE / CHANNEL | | | VALUE | FUNCTION |
|----------------|--|--------|---------|---|
| BASIC | STAND | EXTEND | | |
| 8 | 10 | 13 | | FIXED GOBOS |
| | | | 000-003 | OPEN |
| | | | 004-007 | Fixed Gobo 01 |
| | | | 008-011 | Fixed Gobo 02 |
| | | | 012-015 | Fixed Gobo 03 |
| | | | 016-019 | Fixed Gobo 04 |
| | | | 020-023 | Fixed Gobo 05 |
| | | | 024-027 | Fixed Gobo 06 |
| | | | 028-031 | Fixed Gobo 07 |
| | | | 032-035 | Fixed Gobo 08 |
| | | | 036-039 | Fixed Gobo 09 |
| | | | 040-043 | Fixed Gobo 10 |
| | | | 044-047 | Fixed Gobo 11 |
| | | | 048-051 | Fixed Gobo 12 |
| | | | 052-055 | Fixed Gobo 13 |
| | | | 056-059 | Fixed Gobo 14 |
| | | | 060-063 | OPEN |
| | | | 064-073 | Fixed Gobo 01 Shake SLOW to FAST |
| | | | 074-083 | Fixed Gobo 02 Shake SLOW to FAST |
| | | | 084-093 | Fixed Gobo 03 Shake SLOW to FAST |
| | | | 094-103 | Fixed Gobo 04 Shake SLOW to FAST |
| | | | 104-113 | Fixed Gobo 05 Shake SLOW to FAST |
| | | | 114-123 | Fixed Gobo 06 Shake SLOW to FAST |
| | | | 124-133 | Fixed Gobo 07 Shake SLOW to FAST |
| | | | 134-143 | Fixed Gobo 08 Shake SLOW to FAST |
| | | | 144-153 | Fixed Gobo 09 Shake SLOW to FAST |
| | | | 154-163 | Fixed Gobo 10 Shake SLOW to FAST |
| | | | 164-173 | Fixed Gobo 11 Shake SLOW to FAST |
| | | | 174-183 | Fixed Gobo 12 Shake SLOW to FAST |
| | | | 184-193 | Fixed Gobo 13 Shake SLOW to FAST |
| 194-203 | Fixed Gobo 14 Shake SLOW to FAST | | | |
| 204-211 | NO FUNCTION | | | |
| 212-232 | Gobo Wheel Rotation CLOCKWISE SLOW to FAST | | | |
| 233-234 | NO Rotation | | | |
| 235-255 | Gobo Wheel Rotation COUNTER-CLOCKWISE SLOW to FAST | | | |
| 9 | 11 | 14 | | 8-FACET PRISM 1 |
| | | | 000-031 | OPEN |
| | | | 032-255 | 8-FACET PRISM 1 |
| 10 | 12 | 15 | | 8-FACET PRISM 1 ROTATION |
| | | | 000-127 | Index Rotation |
| | | | 128-189 | CLOCKWISE Rotation FAST to SLOW |
| | | | 190-193 | NO Rotation |
| | | | 194-255 | COUNTER-CLOCKWISE Rotation SLOW to FAST |

| ELATION® DARTZ 360™ | | | | |
|--|-------|---------|-------------------------------|---|
| DMX Channel Values / Functions (25 DMX Channels) | | | | |
| Supports Software Versions: ≥ 1.1.5 | | | | |
| Features are subject to change without any prior written notice. | | | | |
| *Rotation direction (Clockwise or Counterclockwise) of effects depends on orientation of the fixture head and Pan/Tilt settings. | | | | |
| MODE / CHANNEL | | | VALUE | FUNCTION |
| BASIC | STAND | EXTEND | | |
| 11 | 13 | 16 | | 6-FACET PRISM 2 |
| | | | 000-031 | OPEN |
| | | | 032-255 | 6-FACET PRISM 2 |
| 12 | 14 | 17 | | 6-FACET PRISM 2 ROTATION |
| | | | 000-127 | Index Rotation |
| | | | 128-189 | CLOCKWISE Rotation FAST to SLOW |
| | | | 190-193 | NO Rotation |
| | | | 194-255 | COUNTER-CLOCKWISE Rotation SLOW to FAST |
| 13 | 15 | 18 | | SHUTTER, STROBE |
| | | | 000-031 | LEDs OFF |
| | | | 032-063 | LEDs ON |
| | | | 064-095 | Strobe Effect SLOW to FAST |
| | | | 096-127 | LEDs ON |
| | | | 128-159 | Pulse Effect In Sequences |
| | | | 160-191 | LEDs ON |
| | | | 192-223 | Random Strobe Effect SLOW to FAST |
| | | | 224-255 | LEDs ON |
| 14 | 16 | 19 | | DIMMER INTENSITY |
| | | | 000-255 | Dimmer 0 to 100% |
| | 17 | 20 | | DIMMER INTENSITY FINE |
| | | | 000-255 | Dimmer FINE Adjustment |
| 15 | 18 | 21 | | FOCUS |
| | | | 000-255 | Continuous Adjustment from FAR to NEAR |
| 16 | 19 | 22 | | FROST |
| | | | 000-225 | 0-100% Linear Frost |
| | | | 226-235 | Pulse Opening Effect from FAST to SLOW |
| | | | 236-245 | Pulse Closing Effect from SLOW to FAST |
| | | | 246-255 | 100% Frost |
| 17 | 20 | 23 | | DIMMER MODES |
| | | | 000-020 | Standard |
| | | | 201-040 | Stage |
| | | | 041-060 | TV |
| | | | 061-080 | Architectural |
| | | | 081-100 | Theatre |
| | | 101-255 | Default to Setting on Fixture | |
| 18 | 21 | 24 | | PAN / TILT MOVEMENT SPEED |
| | | | 000-225 | MAX to MIN Speed |
| | | | 226-235 | Blackout by Movement |
| | | | 236-245 | NO FUNCTION |
| | | | 246-255 | NO FUNCTION |

ELATION® DARTZ 360™
DMX Channel Values / Functions (25 DMX Channels)

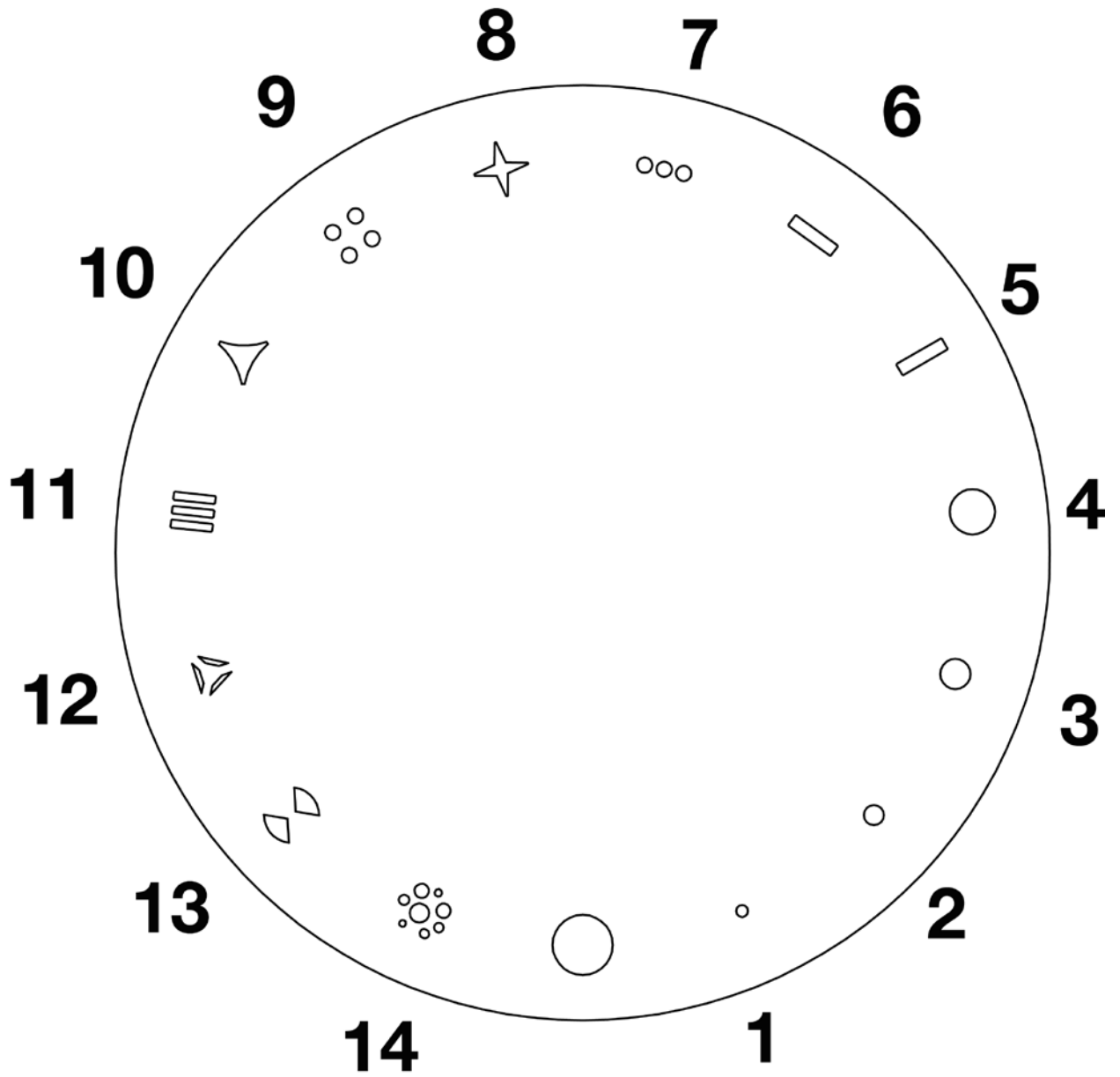
Supports Software Versions: ≥ 1.1.5

Features are subject to change without any prior written notice.

**Rotation direction (Clockwise or Counterclockwise) of effects depends on orientation of the fixture head and Pan/Tilt settings.*

| MODE / CHANNEL | | | VALUE | FUNCTION |
|----------------|-------------|--------|---------|---------------------------------------|
| BASIC | STAND | EXTEND | | |
| 19 | 22 | 25 | | SPECIAL FUNCTIONS / INTERNAL PROGRAMS |
| | | | 000-019 | NO FUNCTION |
| | | | 020-029 | NO FUNCTION |
| | | | 030-039 | NO FUNCTION |
| | | | 040-059 | NO FUNCTION |
| | | | 060-069 | NO FUNCTION |
| | | | 070-079 | PAN & TILT MOTORS RESET |
| | | | 080-089 | ALL MOTORS RESET |
| | | | 090-099 | NO FUNCTION |
| | | | 100-119 | Internal Program 1 (Scene1-8) |
| | | | 120-139 | Internal Program 2 (Scene 9-16) |
| | | | 140-159 | Internal Program 3 (Scene 17-24) |
| | | | 160-179 | Internal Program 4 (Scene 25-32) |
| | | | 180-199 | Internal Program 5 (Scene 33-40) |
| | | | 200-219 | Internal Program 6 (Scene 41-48) |
| | | | 220-239 | Internal Program 7 (Scene 49-56) |
| 240-255 | NO FUNCTION | | | |

GOBO WHEEL



ERROR CODES

| Error Codes are subject to change without any prior written notice. | |
|---|--|
| ERROR CODE | DESCRIPTION |
| PAN | The PAN movement is not located in the default position after the reset. This message will appear after a fixture reset if the magnetic-indexing circuit malfunctions (sensor failed or magnet is missing) or there is a motor failure (defective motor or a defective motor IC drive on the main PCB). This error may also be displayed if the head/yoke was blocked during a reset function. |
| TILT | The TILT movement is not located in the default position after the reset. This message will appear after a fixture reset if the magnetic-indexing circuit malfunctions (sensor failed or magnet is missing) or there is a motor failure (defective motor or defective motor IC drive on main PCB). This error may also be displayed if the head was blocked during a reset function. |
| CMY | The CMY movement is not located in the default position after the reset. This message will appear after a fixture reset if the magnetic-indexing circuit malfunctions (sensor failed or magnet is missing) or there is a motor failure (defective motor or defective motor IC drive on main PCB). |
| CTO | The CTO movement is not located in the default position after the reset. This message will appear after a fixture reset if the magnetic-indexing circuit malfunctions (sensor failed or magnet is missing) or there is a motor failure (defective motor or defective motor IC drive on main PCB). |
| COLOR | The COLOR wheel movement is not located in the default position after the reset. This message will appear after a fixture reset if the magnetic-indexing circuit malfunctions (sensor failed or magnet is missing) or there is a motor failure (defective motor or defective motor IC drive on main PCB). |
| GOBO | The GOBO1 wheel movement is not located in the default position after the reset. This message will appear after a fixture reset if the magnetic-indexing circuit malfunctions (sensor failed or magnet is missing) or there is a motor failure (defective motor or defective motor IC drive on main PCB). |
| GOBO_R | The GOBO1_R movement is not located in the default position after the reset. This message will appear after a fixture reset if the magnetic-indexing circuit malfunctions (sensor failed or magnet is missing) or there is a motor failure (defective motor or defective motor IC drive on main PCB). |
| GOBO2 | The GOBO2 wheel movement is not located in the default position after the reset. This message will appear after a fixture reset if the magnetic-indexing circuit malfunctions (sensor failed or magnet is missing) or there is a motor failure (defective motor or defective motor IC drive on main PCB). |
| 3_PRISM | The 3 PRISM wheel movement is not located in the default position after the reset. This message will appear after a fixture reset if the magnetic-indexing circuit malfunctions (sensor failed or magnet is missing) or there is a motor failure (defective motor or defective motor IC drive on main PCB). |
| 3_Prism1Rot | The 3 Prism1Rot movement is not located in the default position after the reset. This message will appear after a fixture reset if the magnetic-indexing circuit malfunctions (sensor failed or magnet is missing) or there is a motor failure (defective motor or defective motor IC drive on main PCB). |
| Line_PRISM | The Line_PRISM wheel movement is not located in the default position after the reset. This message will appear after a fixture reset if the magnetic-indexing circuit malfunctions (sensor failed or magnet is missing) or there is a motor failure (defective motor or defective motor IC drive on main PCB). |
| Line_Prism1Rot | The Line_Prism1Rot movement is not located in the default position after the reset. This message will appear after a fixture reset if the magnetic-indexing circuit malfunctions (sensor failed or magnet is missing) or there is a motor failure (defective motor or defective motor IC drive on main PCB). |
| FOCUS | The FOCUS movement is not located in the default position after the reset. This message will appear after the reset of the fixture reset if the magnetic-indexing circuit malfunctions (sensor failed or magnet is missing) or there is a stepper motor failure (defective motor or defective motor IC drive on main PCB). |

CLEANING AND MAINTENANCE



C A U T I O N

Disconnect power before cleaning or maintenance.

CLEANING

Frequent cleaning is recommended to insure proper function, optimized light output, and an extended life. The frequency of cleaning depends on the environment in which the fixture operates: damp, smoky or particularly dirty environments can cause greater accumulation of dirt on the fixture's optics.

- Clean the external lens surface at least every 20 days with a soft cloth to avoid dirt/debris accumulation. NEVER use alcohol, solvents, or ammonia based cleaners.

MAINTENANCE

Regular inspections are recommended to insure proper function and extended life.

There are no user serviceable parts inside this fixture, please refer all other service issues to an authorized Elation service technician. Should you need any spare parts, please order genuine parts from your local Elation dealer.

Please refer to the following points during routine inspections:

- A detailed electric check by an approved electrical engineer every three months, to make sure the circuit contacts are in good condition and prevent overheating.
- Be sure all screws and fasteners are securely tightened at all times. Loose screws may fall out during normal operation resulting in damage or injury as larger parts could fall.
- Check for any deformations on the housing, color lenses, rigging hardware and rigging points (ceiling, suspension, trussing). Deformations in the housing could allow for dust to enter into the fixture. Damaged rigging points or unsecured rigging could cause the fixture to fall and seriously injure a person(s).
- Electric power supply cables must not show any damage, material fatigue or sediments. Never remove the ground prong from the power cable.

TECHNICAL SPECIFICATIONS

SOURCE

50W RGB ED Engine

50,000 Hour Average LED Life*

*May vary depending on several factors including but not limited to:
Environmental Conditions, Power/Voltage, Usage Patterns (On-Off Cycling), Control, and Dimming.

EFFECTS

Motorized Focus

6 and 8 Facet Independent Rotating Prisms

0-100% Linear Frost Filter

High Speed Electronic Shutter and Strobe

16-Bit Variable Dimming Curve Modes

Variable LED Refresh Rate and Gamma Brightness

COLOR

RGB Color Mixing

GOBOS

(14) Static-Stamped Gobos

CONTROL / CONNECTIONS

(3) DMX Channel Modes (19 / 22 / 25)

6 Button Touch Control Panel

Full Color 180° Reversible LCD Menu Display

8 / 16 Bit Resolution Adjustable Movement

DMX, RDM (Remote Device Management), Kling-Net, Art-NET, and sACN Protocol Support

Elation E-FLY™ Internal Wireless DMX Transceiver

5pin DMX In/Out

RJ45 Ethernet In/Out (Art-NET)

powerCON TRUE1 Power In/Out

SIZE / WEIGHT

Length: 11.2" (284.15mm)

Width: 7.7" (195.97mm)

Vertical Height: 17.9" (454.7mm)

Weight: 28.0 lbs. (12.7 kg)

ELECTRICAL / THERMAL

AC 100-240V - 50/60Hz

154W Max Power Consumption

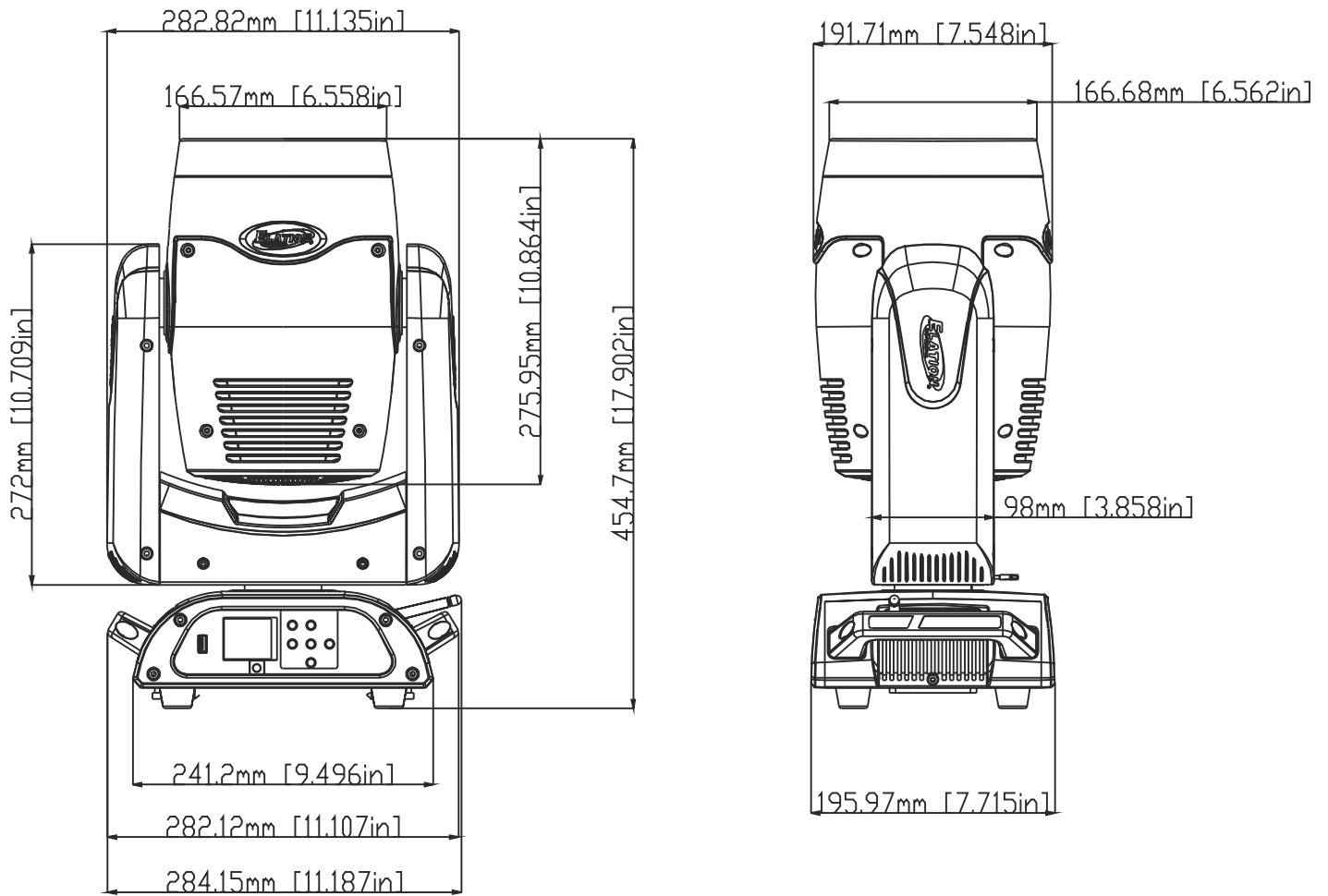
14°F to 113°F (-10°C to 45°C)

APPROVALS / RATINGS



Please Note: Specifications and improvements in the design of this unit and this manual are subject to change without any prior written notice.

DIMENSIONAL DRAWINGS



Please Note: Specifications and improvements in the design of this unit and this manual are subject to change without any prior written notice.

OPTIONAL ACCESSORIES

| ORDER CODE | ITEM |
|-----------------|--|
| QUICK RIG CLAMP | Low Profile Quick Release Clamp |
| DRCDARTZ360 | 6-Pack Road Case For DARTZ 360 |
| ELF001 | E-FLY Wireless DMX Transceiver |
| AC5PDMX5PRO | 5 ft. (1.5m) 5pin PRO DMX Cable |
| CAT6PRO5 | 5 ft. (1.5m) CAT6 EtherCON Cable |
| NEU088 | 3 ft. (1m) powerCON TRUE1 Power Link Cable |
| | Additional Cable Lengths Available |

