

 **POSEIDON A6**  
ULTRASONIC LOW FOGGER

<b>1</b>	<b>BEFORE YOU BEGIN .....</b>	<b>1</b>
1.1	WHAT IS INCLUDED .....	1
1.2	UNPACKING INSTRUCTIONS .....	1
1.3	SYMBOLS .....	1
1.4	DISCLAIMER .....	1
1.5	SAFETY NOTES .....	1
1.5.1	PERSONAL SAFETY .....	1
1.5.2	MOUNTING AND RIGGING .....	2
1.5.3	POWER AND WIRING .....	2
1.5.4	OPERATION .....	2
<b>2</b>	<b>INTRODUCTION .....</b>	<b>2</b>
2.1	DESCRIPTION .....	2
2.2	FEATURES .....	2
2.3	PRODUCT OVERVIEW .....	3
2.4	PRODUCT DIMENSIONS .....	4
<b>3</b>	<b>TECHNICAL SPECIFICATIONS .....</b>	<b>4</b>
<b>4</b>	<b>SETUP.....</b>	<b>5</b>
4.1	AC POWER.....	5
4.2	AC PLUG .....	5
4.3	RESETTING THE BREAKER .....	5
4.4	DMX LINKING .....	5
4.5	MOUNTING .....	5
4.5.1	ORIENTATION .....	6
4.5.2	RIGGING.....	6
<b>5</b>	<b>OPERATION .....</b>	<b>6</b>
5.1	PREPARING FOR OPERATION .....	6
5.2	ON-DEVICE CONTROL PANEL.....	6
5.3	ON-DEVICE CONTROL MODE & OPERATION .....	6
5.3.1	PROGRAMMING .....	6
5.3.2	MENU MAP .....	7
5.4	WIRELESS REMOTE-CONTROL MODE & OPERATION .....	8
5.5	DMX MODE & OPERATION .....	9
5.5.1	STARTING ADDRESS .....	9
5.5.2	DMX MODE MENU MAP.....	9
5.5.3	DMX CHANNEL ASSIGNMENTS AND VALUES .....	9
5.6	AUTO RUN LAST SETTINGS .....	10
5.7	FLUID SENSOR.....	10
5.7.1	TRIGGER “NO-FLUID PROTECTION” .....	10
5.7.2	CLEAR “NO-FLUID PROTECTION” WARNING .....	10
5.8	LOW WATER PROTECTION .....	10
<b>6</b>	<b>TECHNICAL INFORMATION .....</b>	<b>11</b>
6.1	MAINTENANCE .....	11
6.2	STORAGE .....	11
6.2.1	MACHINE STORAGE .....	11
<b>7</b>	<b>WARRANTY .....</b>	<b>11</b>

# BEFORE YOU BEGIN

## 1.1 What Is Included




- FFM-POSEIDON-AQUA6 Machine
- Ducting Hose (Length 3.3m, diameter 125mm)
- Power Cord
- W-4 Remote Wireless Controller
- Refill Hose Extension
- User Manual

## 1.2 Unpacking Instructions

Carefully unpack the product immediately and check the container to make sure all the parts are in the package and are in good condition.

If the box or the contents (the product and included accessories) appear damaged from shipping, or show signs of mishandling, notify the carrier or dealer/seller immediately. In addition, keep the box and contents for inspection.

## 1.3 Symbols

Symbol	Meaning
	<b>Caution</b> Critical installation, configuration, or operation information. Not following these instructions may make the product not work, cause damage to the product, or cause harm to the operator.
	<b>Important</b> Important installation or configuration information. Failure to comply with this information may keep the product from working correctly.
	<b>Information</b> Useful information.

## 1.4 Disclaimer

The information and specifications contained in this User Manual are subject to change without notice. Froggys Fog assumes no responsibility or liability for any errors or omissions and reserves the right to revise or to create this manual at any time.

Copyright © 2018 Froggys Fog. All rights reserved.

## 1.5 Safety Notes

Please read the following Safety Notes carefully before working with the product. The notes include important safety information about installation, usage, and maintenance.

### 1.5.1 Personal Safety

- Always connect the product to a grounded circuit to avoid the risk of electrocution.
- During heating up and operation, the housing will be scalding hot. Do not touch.
- Condensation may form on the bottom of the product, creating damp or wet conditions under and around the machine. Use caution! Surfaces around the product may become slippery.
- The product is very hot during operation and it remains hot for a long time after operation has stopped. Do not touch the product's nozzle.
- Make sure that children, unauthorised people and animals do not obtain access to the machine.
- Never drink fog liquid. If it is ingested, call a doctor immediately for any discomfort. If liquid comes in contact with skin or eyes, rinse thoroughly with water.

### 1.5.2 Mounting and Rigging

- For safety reasons, we do not recommend mounting the product in any capacity. Operate the product while it is on the ground only.
- To prevent risk of fire or shock, do not expose the product to rain or moisture.
- CAUTION: When transferring product from extreme temperature environments, (e.g. cold truck to warm humid ballroom) condensation may form on the internal electronics of the product. To avoid causing a failure, allow product to fully acclimate to the surrounding environment before connecting it to power.
- Do not mount the product on a flammable surface (linoleum, carpet, wood, paper, carton, plastic, etc.).
- Do not use in a confined space. Always install the product in a location with adequate ventilation, at least 20 in (50 cm) from adjacent surfaces.
- Be sure that no ventilation slots on the product's housing are blocked.

### 1.5.3 Power and Wiring

- Always make sure that the voltage of the outlet to which you are connecting the product is within the range stated on the decal or rear panel of the product.
- Make sure the power cord is not crimped or damaged.
- Never connect this product to a dimmer pack or rheostat.
- Never disconnect the product from power cord by pulling or tugging on the cord.
- To eliminate unnecessary wear and improve its lifespan, during periods of non-use completely disconnect the product from power via breaker or by unplugging it

### 1.5.4 Operation

- Do not operate this product if you see damage to the housing or cables. Have the damaged parts replaced by an authorized technician at once.
- Make sure there are no flammable materials close to this product while it is operating.
- Do not cover or plug the output nozzle during operation.
- Never carry the product by the power cord or any moving part. Always use the handles.
- Drain the tank before transporting the product.
- The maximum ambient temperature (Ta) is 104 °F (40 °C). Do not operate the product at higher temperatures.
- Always disconnect the product from the power source before cleaning.
- This product contains no user-serviceable parts. Any reference to servicing in this User Manual will only apply to properly trained, certified technicians. Do not open the housing or attempt any repairs which can lead to damage or malfunction.
- In the event of a serious operating problem, stop using the product immediately.
- Using Only Froggys Fog approved fluids will ensure optimal performance and longevity.
- Only specifically designed water based scent additives may be added to the fog fluid. Never add flammable liquids of any kind (oil, gas, non-application specific perfumes). Pay attention to all warning labels and instructions printed on the exterior of your machine.



Keep this User Manual for future use.

## 2 INTRODUCTION

### 2.1 Description

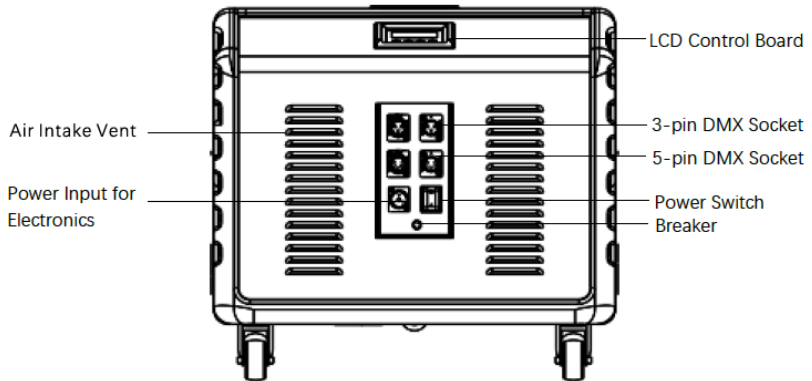
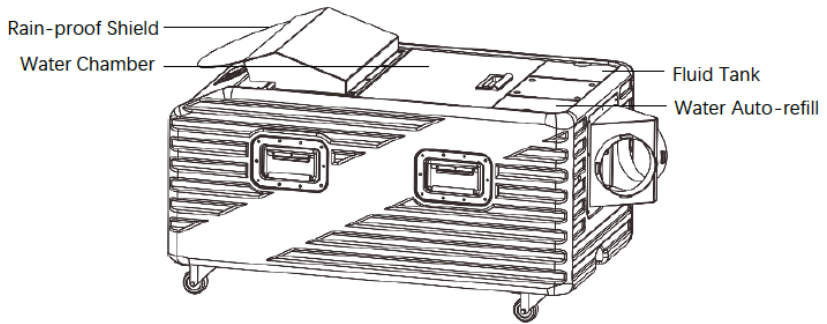
FFM-POSEIDON-AQUA6 Water-Fog Machine creates a continuous and low-lying fog that hugs the floor and dissipates without rising. By using the ultrasonic technology, need for dry ice or refrigeration is eliminated. Its environmentally friendly, economical, convenient and space saving. The Aqua 6 perfectly suited for large clubs, large stage productions, rental companies or production release conferences.

### 2.2 Features

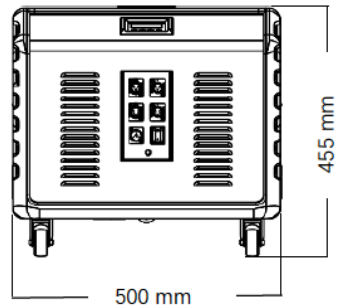
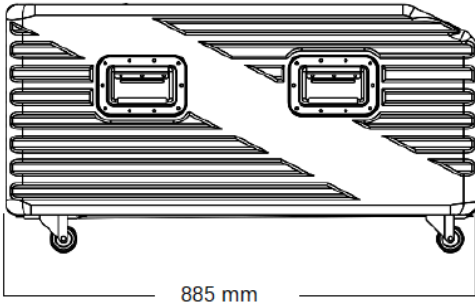
- Long-lasting body design with lightweight and rugged molded plastic chassis;

- Integrated in a flight case (with castors), applicable for touring,
- Drain holes design for both water tank and fluid tank, free from leakage;
- Advanced No-Fluid protection;
- Locking power plugs;
- Clear fluid level display;
- Low fluid consumption, 5.25 gal water fluid reservoir yields 6 hours on full output;
- Built-in LCD control, 3pin and 5pin DMX control;

### 2.3 Product Overview



## 2.4 Product Dimensions



## 3 TECHNICAL SPECIFICATIONS

<b>AC Power</b>	<b>Input Voltage &amp; Rate</b>	<b>100-120 V, 50/60 Hz</b>
	Current Limiter Type (Heater)	Breaker
	Current Limiter Specifications (Heater)	15 A, 250 V
	Total Power Consumption	2,700 W
<b>Heating</b>	Heat Up Time	4.0 min
<b>Atomizers</b>	Total Power Consumption	990 W
	Unit Quantity	4 units
	Power Consumption of each Unit	248 W
	Adjustable	√
	Adjustment Range	0-100%
<b>Capacity</b>	Fluid Tank Capacity	1 Gal
	Water Chamber Capacity	9 Gal
<b>Output</b>	Adjustable Volume	√
	Volume Adjustment Level/Range	1-100
	Fog Fluid Consumption @ full volume	35.0 mL/min
	Water Consumption @ full volume	480.0 mL/min
	Maximum Continuous Duration @ full volume	Unlimited
	Continuous Output	√
	Max Continuous Output Level	100%
<b>Features</b>	Fully-loaded Cumulative Output Duration @ full volume	100 min
	Physical Thermostat	√

	Electronic Thermo-Control	√
	Adjustable Output	√
	Adjustable Fan Speed	√
	Auto Water Refill	√
	Low Water Protection	√
	No-Fluid Protection	√
<b>Control</b>	On-device Manual Control	LCD control board
	Wireless Control	W-4 / RF 433MHz / Built-in
	Wired Control	×
	Control Protocol	DMX-512
	DMX Channel Range	3
	Data Connectors	3- and 5-pin XLR
<b>Accessory</b>	Ducting Hose	1 pc, Length 3 m, Diameter 125mm (5 inch)
	Flat Diffuser Nozzle	Optional
	Splitter	
	Rain Cover	
<b>Weight &amp; Dimensions</b>	Net Weight	<b>101.4 lb.</b>
	Gross Weight	<b>115.7 lb.</b>
	Machine Dimensions	<b>34.8 × 19.7 × 17.9 in.</b>
	Packing Dimensions	<b>43.11 × 22.5 × 21 in.</b>

## 4

### SETUP

#### 4.1 AC Power



Always connect the product to a protected circuit (circuit breaker or fuse). Make sure the product has an appropriate electrical ground to avoid the risk of electrocution or fire.



Never connect the product to a rheostat (variable resistor) or dimmer circuit, even if the rheostat or dimmer channel serves only as a 0 to 100% switch.

#### 4.2 AC Plug

The FFM-POSEIDON-AQUA6 comes terminated with a lockable power connector on one end. It is designed to be safely connected and disconnected under live load.

#### 4.3 Resetting the Breaker

This product is equipped with a resettable external breaker for the fog heater core. If the breaker trips, all sections of this product will lose power.

- Remove the power cord from mains power.
- Allow unit to cool for 15 minutes.
- After 15 minutes, you may attempt to reset the breaker by pressing the button with your finger.
- Plug the product's power cords into the power outlet and continue using as recommended.

#### 4.4 DMX Linking

You can link the FFM-POSEIDON-AQUA6 to a DMX controller using a 3- or 5-pin DMX connection. If using other DMX-compatible products with this product, you can control each individually with a single DMX controller. Instructions for connecting and configuring this product for DMX operation are described further on Pg. 9.

#### 4.5 Mounting

Before mounting the product, read and follow the safety recommendations indicated in the Safety Notes.

### 4.5.1 Orientation

For safety reasons, we do not recommend mounting the product in any capacity. Operate the product while it is on the ground only, and make sure there is adequate room for ventilation, configuration, and maintenance.

### 4.5.2 Rigging

FROGGYS FOG recommends using the following general guidelines when mounting this product.

- Before deciding on a location for the product, make sure there is easy access to the product for maintenance and programming purposes.
- Make sure that the structure or surface onto which you are mounting the product can support the product's weight (see the Technical Specifications).
- When installing the product on the floor, make sure that the product and cables do not pose a tripping hazard.

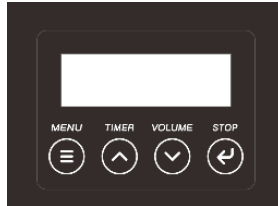
## 5 OPERATION

### 5.1 Preparing for Operation

- After checking that all the parts are intact and complete, position the machine on flat and level surface.
- Fill the water into water chamber when power off.
- Always connect the product to a grounded circuit. Before power on, make sure it is connected with the rated voltage.
- Turn on the machine, it will immediately start heating up.

### 5.2 On-device Control Panel

To access the control panel functions, use the four buttons located underneath the LCD display.



Button	Function
MENU	Switch menu pages to select a function
▲/<TIMER>	▲ Increases the numeric value of current function TIMER starts the timer-controlled operation
▼/<VOLUME>	▼ Decreases the numeric value of current function VOLUME triggers the pump to modify the output volume
STOP	Enter enables the currently displayed menu or sets the currently selected value into the selected function STOP turns the fog output off

### 5.3 On-device Control Mode & Operation

#### 5.3.1 Programming

- Refer to the Menu Map to understand the menu options. The menu map shows the main level and a variable number of programming levels for each option.
- To go to the desired main level, press <MENU> repeatedly until the option shows on the display. This will take you to the first programming level for that option.



- To select an option or value within the current programming level, press ▲/◀<TIMER> or ▼/◀<VOLUME> until the option shows on the display. If there is another programming level, you will see that first option, or you will see the selected value.
- Press <MENU> repeatedly to switch menu pages.
- Press <STOP> to go back to Standby Page.

### 5.3.2 Menu Map

	Display	Description	Parameter Range
Starting Pages	Poseidon Aqua 6 Version 1.0		
	Poseidon Aqua 6 AC-230V 60Hz		
	WirelessPairing >>>>>>>>>>>>>>>>	Press any button of the wireless remote before the progress bar reaches the end. The pairing is done when the screen blinks once.	
Preparing Page	Heating Up >>>>>>>>>>>>>>>>	The machine is heating up.	
Standby Page	Let's Get Low Poseidon Aqua 6	Finished heating up, ready to work.	
Working Status Pages	Interval 600s Poseidon Aqua 6	Interval countdown of TIMER mode	
	Duration 300s Poseidon Aqua 6	Duration countdown of TIMER mode	
	Fog Output 100% Fan Speed 100%	Output status of VOLUME mode	
Setting Pages	Fog Output 100%	Press ▲ or ▼ to set fog output of VOLUME mode	1-100%
	Fan Speed 100%	Press ▲ or ▼ to set fan speed of VOLUME mode	1-100%
	Humidity 100%	Press ▲ or ▼ to set output humidity of VOLUME mode	OFF/25%/50%/75%/100%
	Timer Interval 600s	Press ▲ or ▼ to set timer interval of TIMER mode	5-600s
	Timer Duration 300s	Press ▲ or ▼ to set timer duration of TIMER mode	5-300s

Display	Description	Parameter Range
Timer Fog Output 100%	Press ▲ or ▼ to set fog output of TIMER mode	1%-100%
Timer Fan Speed 100%	Press ▲ or ▼ to set fan speed of TIMER mode	1%-100%
Timer Humidity 100%	Press ▲ or ▼ to set output humidity of TIMER mode	OFF/25%/50%/75%/100%
DMX Address 512	Press ▲ or ▼ to select DMX starting address	1-512
Fluid Sensor ON	Press ▲ or ▼ to activate/deactivate fluid sensor to turn on/off no-fluid-protection function	ON/OFF
Wireless ON	Press ▲ or ▼ to turn on/off wireless control function	ON/OFF
Auto Run Last Settings YES	Press ▲ or ▼ to set if the machine will automatically run previous setting when power on again	YES/NO
Keypad Tone Off	Press ▲ or ▼ to turn on/off Keypad Sound	ON/OFF
Water Level Low Refill Water		
<b>Error &amp; Warning Pages</b>		
Fog Fluid Low Refill		
Heating Failure Contact Service		

## 5.4 Wireless Remote-Control Mode & Operation

This mode will allow you to control the machine ON and OFF with RF wireless controller W-4 (Battery A27).



When press ON, the machine will run with the parameter of VOLUME mode accordingly. LCD will display the following page:

Fog Output 100%  
Fan Speed 100%



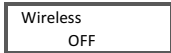
- All the machines have been paired with the controller included (with certain address code) before leaving the factory.
- When “Wireless” function is ON,



there will be a Wireless Pairing process at the start-up of the machine. New wireless remote controller(s) can be paired with machine during this process before the progress bar reaches the end.



- If no new pairing happens during the pairing process upon start-up, the previous paired remote controller(s) will be retained.
- Once there a new pairing happens in a new pairing process, all the previous paired remote controller(s) in previous pairing process will be forgotten.
- During the wireless pairing process at the start-up (if wireless mode is on), one machine can be paired with up to 5 units of RF wireless remote controllers with different address code and controlled by all of them at the same time.
- All the pairing of RF wireless remote controllers (up to 5 units) must be done during the same pairing process.
- Once a machine is paired with a remote with certain address code, it can be controlled by all the same type pf controller with same address code.
- One wireless remote controller can be paired and memorized by multiple machines, and control all the paired machines at the same time (if all in control distance).
- If the machine doesn't need to be controlled by wireless, then just turn off the wireless option in the menu.



## 5.5 DMX Mode & Operation

The Machine FFM-POSEIDON-AQUA6 works with a DMX controller.

- Connect the product to a suitable power outlet.
- Turn the product on.
- Connect a DMX cable from the DMX output of the DMX controller to the DMX input socket on the product.

### 5.5.1 Starting Address

When selecting a starting DMX address, always consider the number of DMX channels. If you choose a starting address that is too high, you could restrict the access to some of the product's channels.



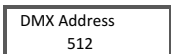
**FROGGYS FOG® FFM-POSEIDON-AQUA6 DMX set the starting address in the 001 - 512 DMX range and uses 3 DMX channels, which defines the highest configurable address to 510 to have all channels controllable.**



**Connect a DMX cable from the DMX output of the DMX controller to the DMX input socket on the product, or press repeatedly “MENU” button until the LCD shows “DMX Address”. Press “▲” or “▼” to set desired DMX starting address.**

### 5.5.2 DMX Mode Menu Map

When connected with DMX controller and receiving a DMX signal, the display will always show current DMX starting address. You may adjust the starting channel anytime by pressing ▲ and ▼.



### 5.5.3 DMX Channel Assignments and Values

Channel	Function	Value	Description
1	Fog	0 -10	No Function
		11 - 255	1-100%
2	Fan	0 -10	No Function
		11 - 255	1-100%

3	Humidity	0 -10	No Function
		11 -62	25% Humidity
		63-122	50% Humidity
		123-183	75% Humidity
		184-255	100% Humidity

## 5.6 Auto Run Last Settings

If the machine is shut off while it is operating in standalone mode (On-device & Wireless control), the “Auto Run Last Setting” will allow the machine to recover its previous same operating status when the unit is powered on again without pressing any buttons.



- **Shut off:** Get disconnected from power source, or turn off the power switch
- **Power on:** Get connected with power source, or turn on the power switch

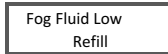
## 5.7 Fluid Sensor

This machine uses a software-based fluid sensor to detect whether there is fluid inside the tube so as to protect the pump from being damaged. Turn on the “Fluid Sensor” to activate “No Fluid Protection” function.



### 5.7.1 Trigger “No-Fluid Protection”

When the Fluid Sensor is ON, the software-based “no-fluid protection” function will be activated. After the program continues to detect the machine working with no fluid inside the tube for 1 minute, the pump-shutoff will be activated with the flickering warning page showing on the screen.



When this warning message is displayed, the machine will stop working but the LCD warning will continue.

### 5.7.2 Clear “No-Fluid Protection” Warning

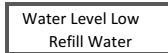
When the machine is under the no-fluid protection, after refilling the fluid, there are three ways to clear the warning.

- Press <STOP> first, then press ▼/<VOLUME> to let the machine run again, the warning will disappear once fluid has pumped and filled the tube.
- Under the DMX control mode, bring down channel 1 to OFF (value 0-9), then back to ON (value 10-255), to let the machine run again. The warning will disappear once fluid has pumped and filled the tube.
- Turn off “Fluid Sensor” in the menu.

The LCD will keep flickering whenever it shows the warning message or regular operation menu pages until the fluid is sensed by software.

## 5.8 Low Water Protection

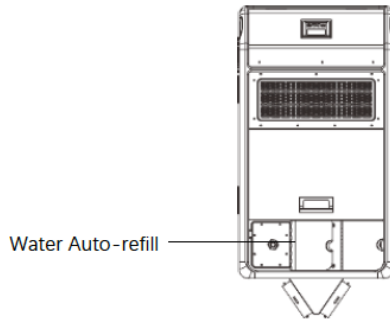
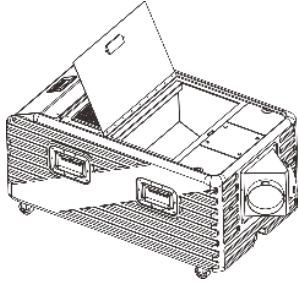
When the water in the chamber is low, the LCD will flicker and show the warning message as below:



After the warning message shows up, the machine can still run for another 10 minutes with the remaining water in the chamber, but will then stop output. Adding water in the chamber by either opening the lid on the top (as the left picture below), or through the water fill inlet at the top of the machine.



**Fog output should be stopped when opening the water chamber lid to avoid fog from coming out in the event of an empty water reservoir.**



## 6 TECHNICAL INFORMATION

### 6.1 Maintenance

After every 40 hours of continuous operation, use Distilled water through the fog fluid system and fog 10-15 minutes after finish heating-up to prevent the accumulation of particulate matter in the heating element.

The recommended cleaning procedure is as follows.

- 1) Unplug the product from power.
- 2) Empty all fluid from the machine.
- 3) Add distilled water to the fog fluid tank.
- 4) Connect the product to power and allow it to heat up.
- 5) Run the product in a well-ventilated area for 10-15 minutes. Do not allow the pump to run dry.
- 6) After fog operation with solely distilled water, drain the water from the fog fluid reservoir and fill with fresh fog fluid and run additional for a few minutes. The machine is best stored with fresh fog fluid in the pump mechanism.
- 7) Empty the water reservoirs through drain outlet. These should be stored dry.
- 8) Excessive dust, fluid residue and dirt will degrade performance and cause overheating. Remove dust from air vents with an air compressor, vacuum or soft brush. The casing should be cleaned with the damp cloth.



**Test-run your FROGGYS FOG® FFM-POSEIDON-AQUA6 on a monthly basis to achieve the best performance.**

### 6.2 Storage

#### 6.2.1 Machine Storage

Before storing the machine, clean it as described in the cleaning procedure above. Do not store the machine long term with water in the system. Verify that fog fluid resides in the pump mechanism before storing the machine. Cleaning the system prior to storage will help prevent any particles from condensing inside the pump or heater while not in use.

## 7 WARRANTY

Save these instructions. 2 Year Limited Warranty: Valid from the date of purchase. Warranty covers manufacturing defects only and does not cover misuse or abuse of the machine. Serial number, place of purchase with dated valid receipt must be submitted at time of service. Warranty is only valid with-in the United States. Buyer may be responsible for shipping fees associated with repairs.