



Source Four LED™ Photometry Guide

Source Four LED Series

Source Four LED Series 2 Lustr®

Source Four LED Series 2 Daylight HD®

Source Four LED Series 2 Tungsten HD®

Source Four LED Lustr+™

Source Four LED Daylight™

Source Four LED Tungsten™

Source Four LED Studio HD™

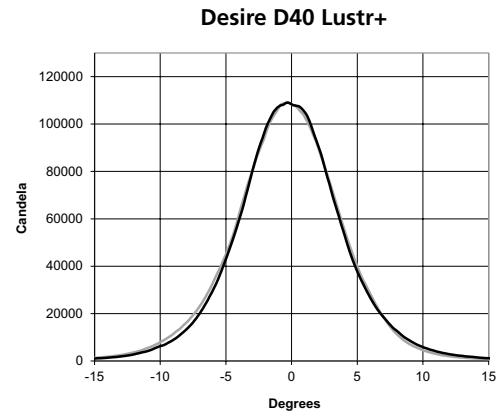
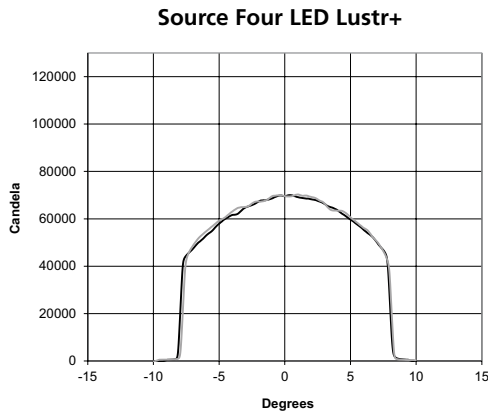
Source Four LED Fresnel Adapter



The Source Four LED has a flat field, which should be taken into account when calculating foot-candles.

Below is a comparison between two fixtures that produce similar amounts of light, but different light distributions.

The D40 has a much narrower beam, so the fixture will seem much brighter in the center. The Source Four LED, on the other hand, distributes light more evenly, and brightness will be similar across the beam.



Throw Distance Multiplier (TDM)

To determine the distance from the center of the beam (Origin) to a certain illuminance level at a particular distance, multiply the desired throw distance by the TDM desired on the Iso-Illuminance diagram.

Throw Distance (TD) x Throw Distance Multiplier (TDM) = Distance from the Origin (DfO) (distance from the center of the beam)

Example: 25 feet (TD) x 0.047 (TDM) = 1.175 feet from center of beam (DfO)

Iso-Illuminance Diagram (Flat Surface Distribution)

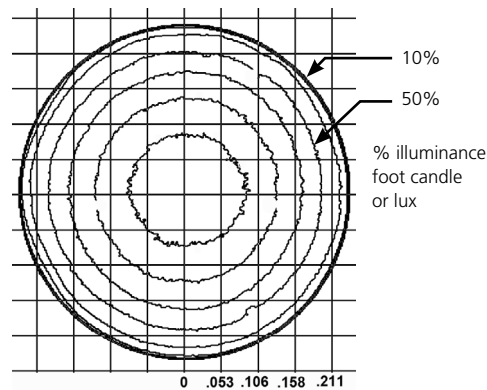


TABLE OF CONTENTS

SERIES 2

Series 2 Lustr 5°	5
Series 2 Lustr 10°	5
Series 2 Lustr 14°	6
Series 2 Lustr 19° EDLT	6
Series 2 Lustr 26° EDLT	7
Series 2 Lustr 36° EDLT	7
Series 2 Lustr LED 50° LT	8
Series 2 Lustr 70°	8
Series 2 Lustr 90°	9
Series 2 Lustr 15-30° Zoom Narrow	9
Series 2 Lustr 15-30° Zoom Mid	10
Series 2 Lustr 15-30° Zoom Wide	10
Series 2 Lustr 25-50° Zoom Narrow	11
Series 2 Lustr 25-50° Zoom Mid	11
Series 2 Lustr 25-50° Zoom Wide	12

Series 2 Daylight HD 5°	13
Series 2 Daylight HD 10°	13
Series 2 Daylight HD 14°	14
Series 2 Daylight HD 19° EDLT	14
Series 2 Daylight HD 26° EDLT	15
Series 2 Daylight HD 36° EDLT	15
Series 2 Daylight HD LED 50° LT	16
Series 2 Daylight HD 70°	16
Series 2 Daylight HD 90°	17
Series 2 Daylight HD 15-30° Zoom Narrow	17
Series 2 Daylight HD 15-30° Zoom Mid	18
Series 2 Daylight HD 15-30° Zoom Wide	18
Series 2 Daylight HD 25-50° Zoom Narrow	19
Series 2 Daylight HD 25-50° Zoom Mid	19
Series 2 Daylight HD 25-50° Zoom Wide	20

Series 2 Tungsten HD 5°	21
Series 2 Tungsten HD 10°	21
Series 2 Tungsten HD 14°	22
Series 2 Tungsten HD 19° EDLT	22
Series 2 Tungsten HD 26° EDLT	23
Series 2 Tungsten HD 36° EDLT	23
Series 2 Tungsten HD LED 50° LT	24
Series 2 Tungsten HD 70°	24
Series 2 Tungsten HD 90°	25
Series 2 Tungsten HD 15-30° Zoom Narrow	25
Series 2 Tungsten HD 15-30° Zoom Mid	26
Series 2 Tungsten HD 15-30° Zoom Wide	26
Series 2 Tungsten HD 25-50° Zoom Narrow	27
Series 2 Tungsten HD 25-50° Zoom Mid	27
Series 2 Tungsten HD 25-50° Zoom Wide	28

SERIES 1

Lustr+ 5°	29
Lustr+ 10°	29
Lustr+ 14°	30
Lustr+ 19° EDLT	30
Lustr+ 26° EDLT	31
Lustr+ 36° EDLT	31
Lustr+ LED 50° LT	32
Lustr+ 70°	32
Lustr+ 90°	33
Lustr+ 15-30° Zoom Narrow	33
Lustr+ 15-30° Zoom Mid	34
Lustr+ 15-30° Zoom Wide	34
Lustr+ 25-50° Zoom Narrow	35
Lustr+ 25-50° Zoom Mid	35
Lustr+ 25-50° Zoom Wide	36

Daylight 5°	37
Daylight 10°	37
Daylight 14°	38
Daylight 19° EDLT	38
Daylight 26° EDLT	39
Daylight 36° EDLT	39
Daylight LED 50° LT	40
Daylight 70°	40
Daylight 90°	41
Daylight 15-30° Zoom Narrow	41
Daylight 15-30° Zoom Mid	42
Daylight 15-30° Zoom Wide	42
Daylight 25-50° Zoom Narrow	43
Daylight 25-50° Zoom Mid	43
Daylight 25-50° Zoom Wide	44

Tungsten 5°	45
Tungsten 10°	45
Tungsten 14°	46
Tungsten 19° EDLT	46
Tungsten 26° EDLT	47
Tungsten 36° EDLT	47
Tungsten LED 50° LT	48
Tungsten 70°	48
Tungsten 90°	49
Tungsten 15-30° Zoom Narrow	49
Tungsten 15-30° Zoom Mid	50
Tungsten 15-30° Zoom Wide	50
Tungsten 25-50° Zoom Narrow	51
Tungsten 25-50° Zoom Mid	51
Tungsten 25-50° Zoom Wide	52

TABLE OF CONTENTS

Studio HD 5°	53
Studio HD 10°	53
Studio HD 14°	54
Studio HD 19° EDLT	54
Studio HD 26° EDLT	55
Studio HD 36° EDLT	55
Studio HD LED 50° LT	56
Studio HD 70°	56
Studio HD 90°	57
Studio HD 15-30° Zoom Narrow	57
Studio HD 15-30° Zoom Mid	58
Studio HD 15-30° Zoom Wide	58
Studio HD 25-50° Zoom Narrow	59
Studio HD 25-50° Zoom Mid	59
Studio HD 25-50° Zoom Wide	60

ACCESORIES

Fresnel with Lustr Series 2 Spot	61
Fresnel with Lustr Series 2 Mid	61
Fresnel with Lustr Series 2 Flood	62
Fresnel with Daylight HD Series 2 Spot	63
Fresnel with Daylight HD Series 2 Mid	63
Fresnel with Daylight HD Series 2 Flood	64
Fresnel with Tungsten HD Series 2 Spot	65
Fresnel with Tungsten HD Series 2 Mid	65
Fresnel with Tungsten HD Series 2 Flood	66
Fresnel with Lustr+ Series 1 Spot	67
Fresnel with Lustr+ Series 1 Mid	67
Fresnel with Lustr+ Series 1 Flood	68
Fresnel with Daylight Series 1 Spot	69
Fresnel with Daylight Series 1 Mid	69
Fresnel with Daylight Series 1 Flood	70
Fresnel with Tungsten Series 1 Spot	71
Fresnel with Tungsten Series 1 Mid	71
Fresnel with Tungsten Series 1 Flood	72
Fresnel with Studio HD Series 1 Spot	73
Fresnel with Studio HD Series 1 Mid	73
Fresnel with Studio HD Series 1 Flood	74

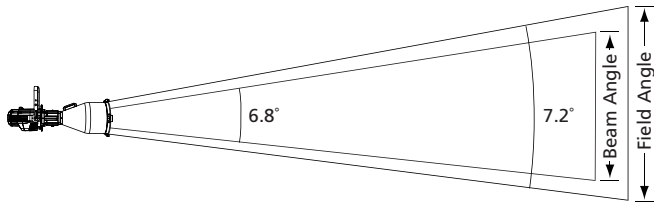
Multiply the values below by regulated-mode lumen or candela values for each lens tube to get results for a 3200K color match and a 5600K color match.

	Highest lumens
Lustr+ 3200K multiplier	0.74
Lustr+ 5600K multiplier	0.62
Studio HD 3200K multiplier	0.97
Studio HD 5600K multiplier	0.82

Source Four LED Series 2 Lustr 5°

Mode	Degree	Candela	Field Lumens	Beam Lumens	Power Consumption	Efficacy (lpw)
Boost Full - Cold	5°	482,633	4,057	3,808	170.0	23.8
Regulated Full	5°	437,990	3,681	3,456	150	24.5
Regulated 3200K	5°	405,219	3,406	3,197	125.4	27.2
Regulated 5600K	5°	257,002	2,160	2,028	110.3	19.6

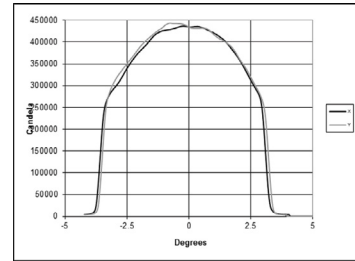
Metric conversions: For meters, multiply feet by 0.3048
For lux, multiply footcandles by 10.76



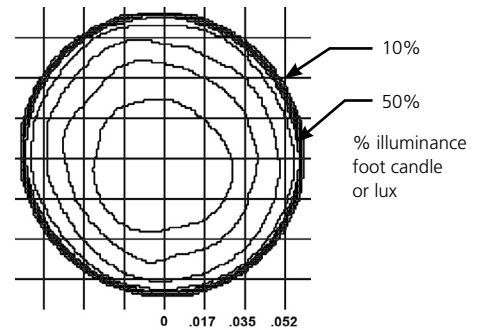
Throw Distance (d)	10'	15'	20'	30'	661.8'
	3.0m	4.6m	6.1m	9.1m	201.7m
Field Diameter	1.3'	1.9'	2.5'	3.8'	-
	0.4m	0.6m	0.8m	1.2m	-
Illuminance (fc)	4380	1947	1095	486.7	1
Illuminance (lux)	47,145	20,953	11,786	5238	10.76

For field diameter at any distance, multiply distance by 0.126
For beam diameter at any distance, multiply by 0.119

Candela Plot



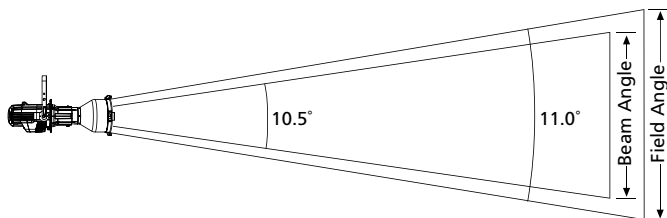
Iso-Illuminance Diagram (Flat Surface Distribution)



Source Four LED Series 2 Lustr 10°

Mode	Degree	Candela	Field Lumens	Beam Lumens	Power Consumption	Efficacy (lpw)
Boost Full - Cold	10°	259,019	5,071	4,760	170.2	29.8
Regulated Full	10°	235,060	4,602	4,320	150	30.7
Regulated 3200K	10°	217,473	4,257	3,996	125.4	34.0
Regulated 5600K	10°	137,928	2,700	2,535	110.3	24.5

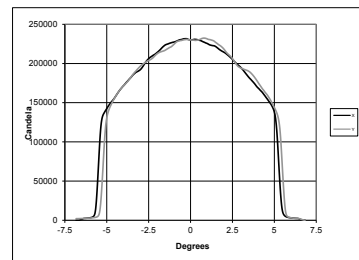
Metric Conversions: For meters, multiply feet by 0.3048
For lux, multiply footcandles by 10.76



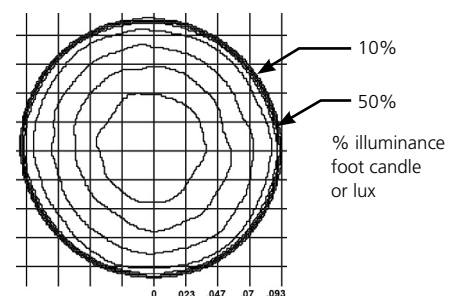
Throw Distance (d)	10'	15'	20'	30'	484.8'
	3.0m	4.6m	6.1m	9.1m	147.8m
Field Diameter	1.9'	2.9'	3.9'	5.8'	-
	0.6m	0.9m	1.2m	1.8m	-
Illuminance (fc)	2,351	1,045	588	261.2	1
Illuminance (lux)	25,302	11,245	6,325	2,811	10.76

For field diameter at any distance, multiply distance by 0.193
For beam diameter at any distance, multiply by 0.184

Candela Plot



Iso-Illuminance Diagram (Flat Surface Distribution)

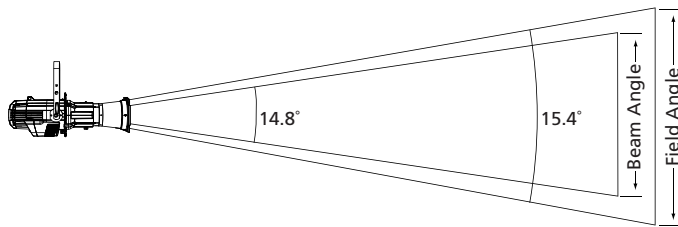


Source Four LED Series

Source Four LED Series 2 Lustr 14°

Mode	Degree	Candela	Field Lumens	Beam Lumens	Power Consumption	Efficacy (lpw)
Boost Full - Cold	14°	136,963	5,403	5,168	170.2	31.7
Regulated Full	14°	124,294	4,903	4,690	150	32.7
Regulated 3200K	14°	114,995	4,536	4,339	125.4	36.2
Regulated 5600K	14°	72,933	2,877	2,752	110.3	26.1

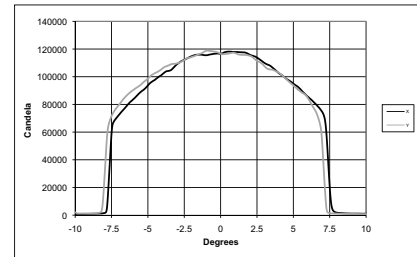
Metric conversions: For meters, multiply feet by 0.3048
For lux, multiply footcandles by 10.76



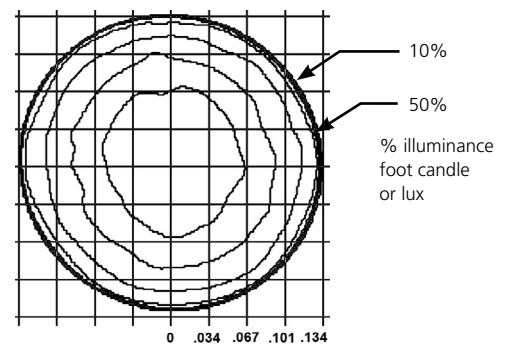
Throw Distance (d)	10'	15'	20'	30'	352.6'
	3.0m	4.6m	6.1m	9.1m	107.5m
Field Diameter	2.7'	4.1'	5.4'	8.1'	-
	0.8m	1.2m	1.6m	2.5m	-
Illuminance (fc)	1243	552	311	138.1	1
Illuminance (lux)	13,379	5,946	3,345	1,487	10.76

For field diameter at any distance, multiply distance by 0.270
For beam diameter at any distance, multiply by 0.260

Candela Plot



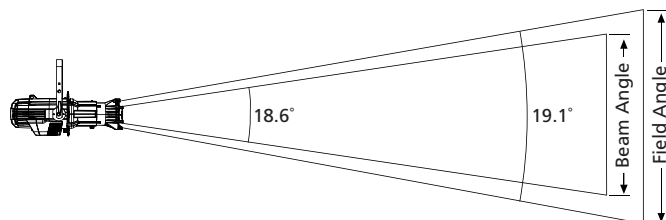
Iso-Illuminance Diagram (Flat Surface Distribution)



Source Four LED Series 2 Lustr 19° EDLT

Mode	Degree	Candela	Field Lumens	Beam Lumens	Power Consumption	Efficacy (lpw)
Boost Full - Cold	19°	84,973	5,315	5,032	170.2	31.2
Regulated Full	19°	77,113	4,824	4,567	150	32.2
Regulated 3200K	19°	71,344	4,463	4,225	125.4	35.6
Regulated 5600K	19°	45,248	2,830	2,680	110.3	25.7

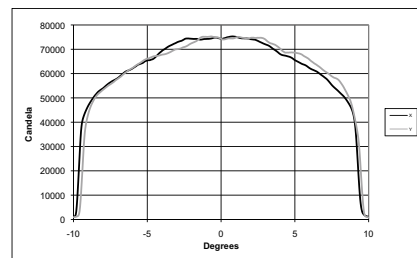
Metric Conversions: For meters, multiply feet by 0.3048
For lux, multiply footcandles by 10.76



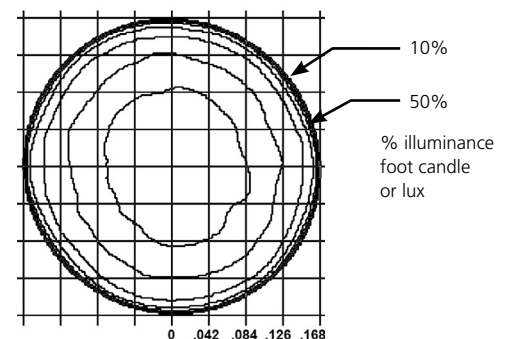
Throw Distance (d)	10'	15'	20'	30'	277.7'
	3.0m	4.6m	6.1m	9.1m	84.6m
Field Diameter	3.4'	5.0'	6.7'	10.1'	-
	1.0m	1.5m	2.1m	3.1m	-
Illuminance (fc)	771	343	193	85.7	1
Illuminance (lux)	8,300	3,689	2,075	922	10.76

For field diameter at any distance, multiply distance by 0.336
For beam diameter at any distance, multiply by 0.328

Candela Plot



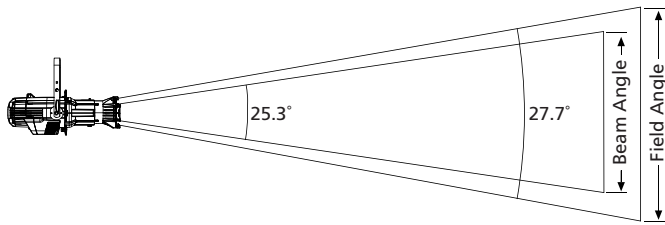
Iso-Illuminance Diagram (Flat Surface Distribution)



Source Four LED Series 2 Lustr 26° EDLT

Mode	Degree	Candela	Field Lumens	Beam Lumens	Power Consumption	Efficacy (lpw)
Boost Full - Cold	26°	54,040	6,452	5,882	170.2	37.9
Regulated Full	26°	49,041	5,855	5,338	150	39.0
Regulated 3200K	26°	45,372	5,417	4,939	125.4	43.2
Regulated 5600K	26°	28,776	3,436	3,132	110.3	31.1

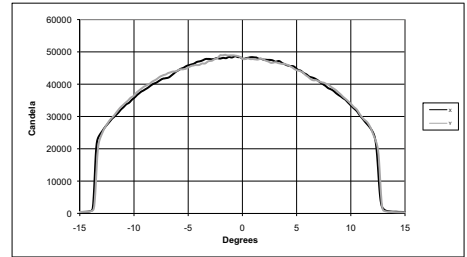
Metric conversions: For meters, multiply feet by 0.3048
For lux, multiply footcandles by 10.76



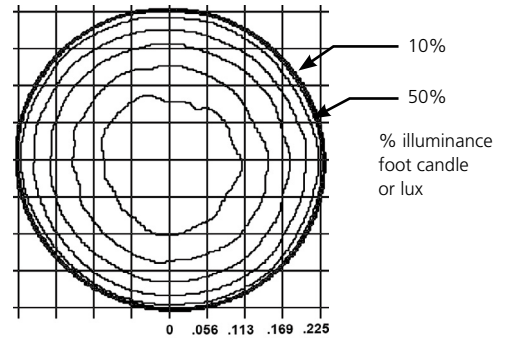
Throw Distance (d)	10'	15'	20'	30'	221.5'
	3.0m	4.6m	6.1m	9.1m	67.5m
Field Diameter	4.9'	7.4'	9.9'	14.8'	-
	1.5m	2.3m	3.0m	4.5m	-
Illuminance (fc)	490	218	123	54.5	1
Illuminance (lux)	5,279	2,346	1320	587	10.76

For field diameter at any distance, multiply distance by 0.493
For beam diameter at any distance, multiply by 0.449

Candela Plot



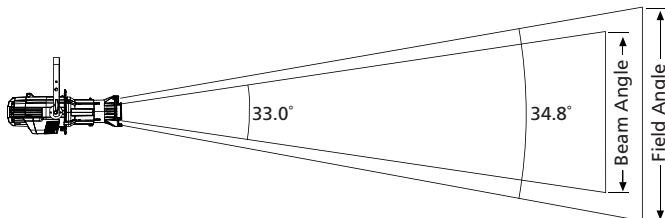
Iso-Illuminance Diagram (Flat Surface Distribution)



Source Four LED Series 2 Lustr 36° EDLT

Mode	Degree	Candela	Field Lumens	Beam Lumens	Power Consumption	Efficacy (lpw)
Boost Full - Cold	36°	35,033	6,907	6,018	170.2	40.6
Regulated Full	36°	31,792	6,268	5,461	150	41.8
Regulated 3200K	36°	29,414	5,799	5,053	125.4	46.2
Regulated 5600K	36°	18,655	3,678	3,205	110.3	33.3

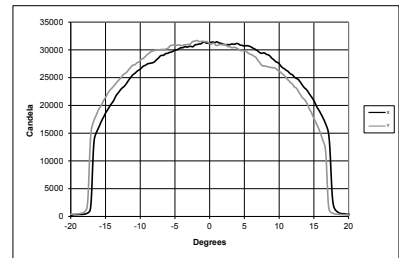
Metric Conversions: For meters, multiply feet by 0.3048
For lux, multiply footcandles by 10.76



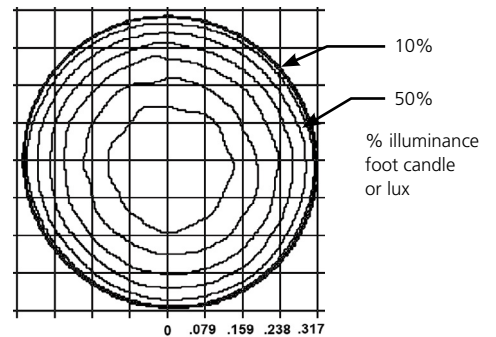
Throw Distance (d)	10'	15'	20'	30'	178.3'
	3.0m	4.6m	6.1m	9.1m	54.3m
Field Diameter	6.3'	9.4'	12.5'	18.8'	-
	1.9m	2.9m	3.8m	5.7m	-
Illuminance (fc)	318	141	79	35.3	1
Illuminance (lux)	3,422	1,521	856	380	10.76

For field diameter at any distance, multiply distance by 0.627
For beam diameter at any distance, multiply by 0.592

Candela Plot



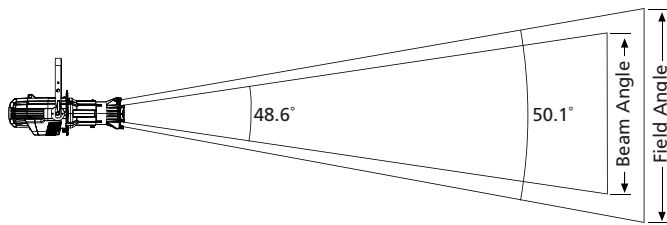
Iso-Illuminance Diagram (Flat Surface Distribution)



Source Four LED Series 2 Lustr LED 50° LT

Mode	Degree	Candela	Field Lumens	Beam Lumens	Power Consumption	Efficacy (lpw)
Boost Full - Cold	50°	15,821	6,574	5,695	170.2	38.6
Regulated Full	50°	14,357	5,966	5,168	150	39.8
Regulated 3200K	50°	13,283	5,520	4,782	125.4	44.0
Regulated 5600K	50°	8,425	3,501	3,033	110.3	31.7

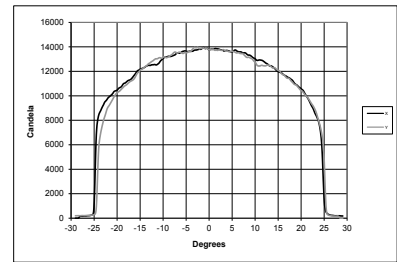
Metric conversions: For meters, multiply feet by 0.3048
For lux, multiply footcandles by 10.76



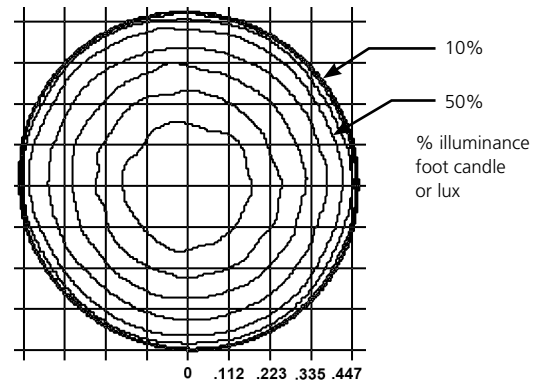
Throw Distance (d)	10'	15'	20'	30'	119.8'
	3.0m	4.6m	6.1m	9.1m	36.5m
Field Diameter	9.3'	14.0'	18.7'	28.0'	-
	2.8m	4.3m	5.7m	8.5m	-
Illuminance (fc)	144	64	36	16.0	1
Illuminance (lux)	1,545	687	386	172	10.76

For field diameter at any distance, multiply distance by 0.935
For beam diameter at any distance, multiply by 0.903

Candela Plot



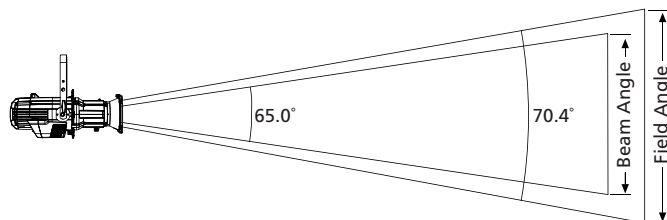
Iso-Illuminance Diagram (Flat Surface Distribution)



Source Four LED Series 2 Lustr 70°

Mode	Degree	Candela	Field Lumens	Beam Lumens	Power Consumption	Efficacy (lpw)
Boost Full - Cold	70°	9,541	7,046	4,437	170.2	41.4
Regulated Full	70°	8,658	6,395	4,027	150	42.6
Regulated 3200K	70°	8,011	5,916	3,725	125.4	47.2
Regulated 5600K	70°	5,081	3,752	2,363	110.3	34.0

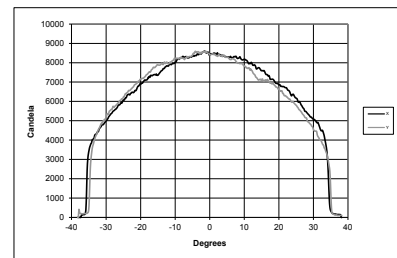
Metric conversions: For meters, multiply feet by 0.3048
For lux, multiply footcandles by 10.76



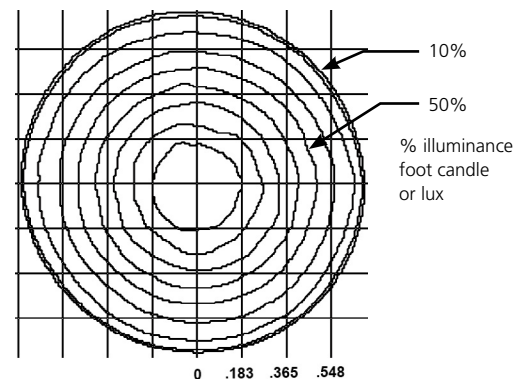
Throw Distance (d)	10'	15'	20'	30'	93.1'
	3.0m	4.6m	6.1m	9.1m	28.4m
Field Diameter	14.1'	21.2'	28.2'	42.3'	-
	4.3m	6.5m	8.6m	12.9m	-
Illuminance (fc)	87	38	22	9.6	1
Illuminance (lux)	932	414	233	104	10.76

For field diameter at any distance, multiply distance by 1.411
For beam diameter at any distance, multiply by 1.274

Candela Plot



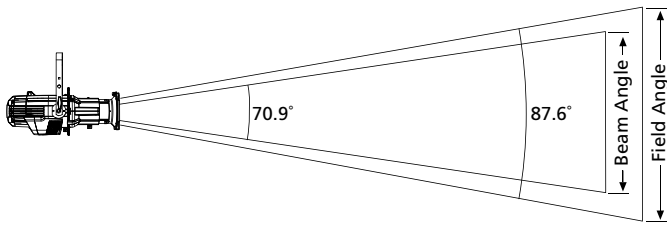
Iso-Illuminance Diagram (Flat Surface Distribution)



Source Four LED Series 2 Lustr 90°

Mode	Degree	Candela	Field Lumens	Beam Lumens	Power Consumption	Efficacy (lpw)
Boost Full - Cold	90°	7,044	6,819	3,587	170.2	40.1
Regulated Full	90°	6,392	6,188	3,255	150	41.3
Regulated 3200K	90°	5,914	5,725	3,012	125.4	45.7
Regulated 5600K	90°	3,751	3,631	1,910	110.3	32.9

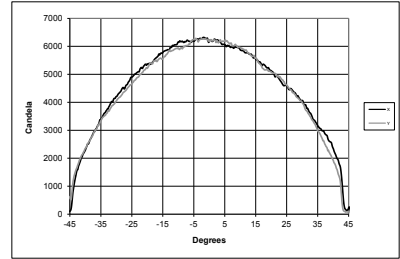
Metric conversions: For meters, multiply feet by 0.3048
For lux, multiply footcandles by 10.76



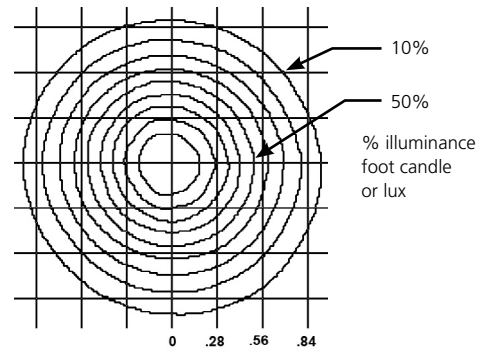
Throw Distance (d)	10'	15'	20'	30'	80.0'
	3.0m	4.6m	6.1m	9.1m	24.4m
Field Diameter	19.2'	28.8'	38.4'	57.5'	-
	5.8m	8.8m	11.7m	17.5m	-
Illuminance (fc)	64	28	16	7.1	1
Illuminance (lux)	688	306	172	76	10.76

For field diameter at any distance, multiply distance by 1.918
For beam diameter at any distance, multiply by 1.424

Candela Plot



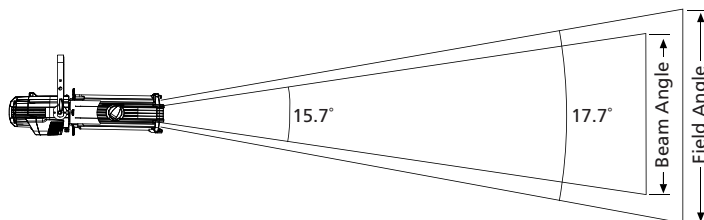
Iso-Illuminance Diagram (Flat Surface Distribution)



Source Four LED Series 2 Lustr 15-30° Zoom Narrow

Mode	Degree	Candela	Field Lumens	Beam Lumens	Power Consumption	Efficacy (lpw)
Boost Full - Cold	15°	111,621	5,263	4,420	170.2	30.9
Regulated Full	15°	101,296	4,776	4,011	150	31.8
Regulated 3200K	15°	93,717	4,419	3,711	125.4	35.2
Regulated 5600K	15°	59,438	2,803	2,354	110.3	25.4

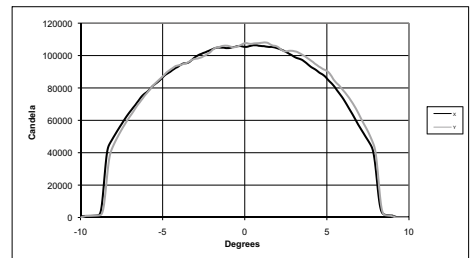
Metric conversions: For meters, multiply feet by 0.3048
For lux, multiply footcandles by 10.76



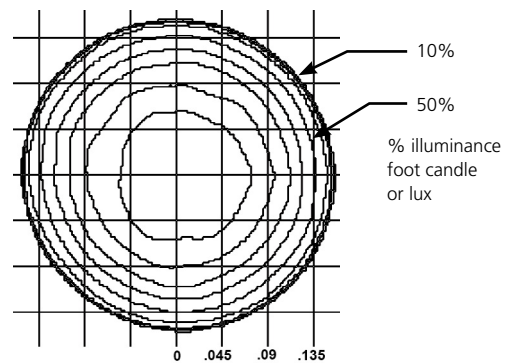
Throw Distance (d)	10'	15'	20'	30'	318.3'
	3.0m	4.6m	6.1m	9.1m	97.0m
Field Diameter	3.1'	4.7'	6.2'	9.3'	-
	0.9m	1.4m	1.9m	2.8m	-
Illuminance (fc)	1,013	450	253	112.6	1
Illuminance (lux)	10,903	4,846	2,726	1,211	10.76

For field diameter at any distance, multiply distance by 0.311
For beam diameter at any distance, multiply by 0.276

Candela Plot



Iso-Illuminance Diagram (Flat Surface Distribution)

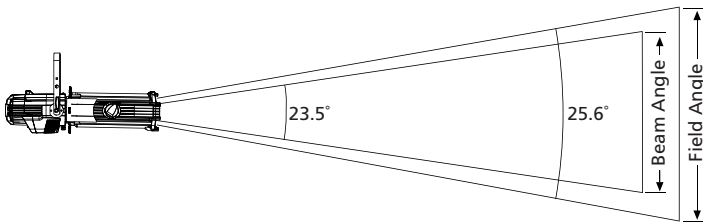


Source Four LED Series

Source Four LED Series 2 Lustr 15-30° Zoom Mid

Mode	Degree	Candela	Field Lumens	Beam Lumens	Power Consumption	Efficacy (lpw)
Boost Full - Cold	23°	58,140	5,858	4,913	170.2	34.4
Regulated Full	23°	52,762	5,316	4,459	150	35.4
Regulated 3200K	23°	48,814	4,918	4,125	125.4	39.2
Regulated 5600K	23°	30,959	3,119	2,616	110.3	28.3

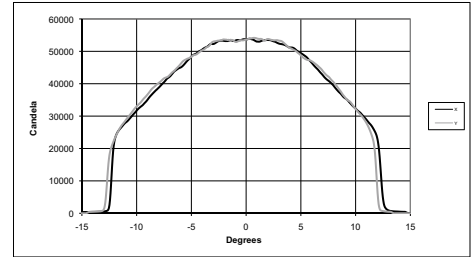
Metric conversions: For meters, multiply feet by 0.3048
For lux, multiply footcandles by 10.76



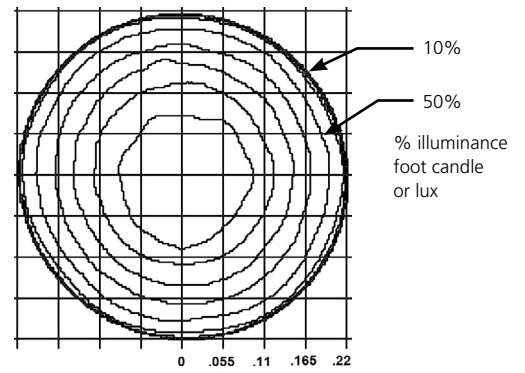
Throw Distance (d)	10'	15'	20'	30'	229.7'
	3.0m	4.6m	6.1m	9.1m	70.0m
Field Diameter	4.5'	6.8'	9.1'	13.6'	-
	1.4m	2.1m	2.8m	4.2m	-
Illuminance (fc)	528	234	132	58.6	1
Illuminance (lux)	5,679	2,524	1,420	631	10.76

For field diameter at any distance, multiply distance by 0.454
For beam diameter at any distance, multiply by 0.416

Candela Plot



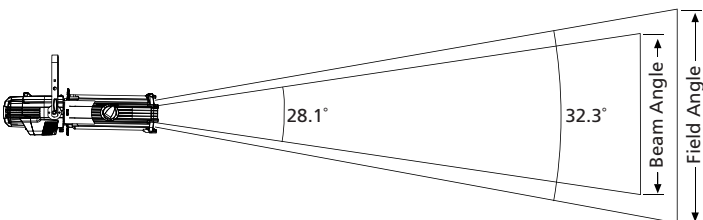
Iso-Illuminance Diagram (Flat Surface Distribution)



Source Four LED Series 2 Lustr 15-30° Zoom Wide

Mode	Degree	Candela	Field Lumens	Beam Lumens	Power Consumption	Efficacy (lpw)
Boost Full - Cold	30°	35,778	5,368	4,131	170.2	31.5
Regulated Full	30°	32,469	4,871	3,749	150	32.5
Regulated 3200K	30°	30,039	4,507	3,468	125.4	35.9
Regulated 5600K	30°	19,052	2,858	2,200	110.3	25.9

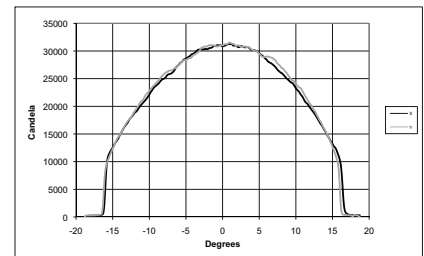
Metric conversions: For meters, multiply feet by 0.3048
For lux, multiply footcandles by 10.76



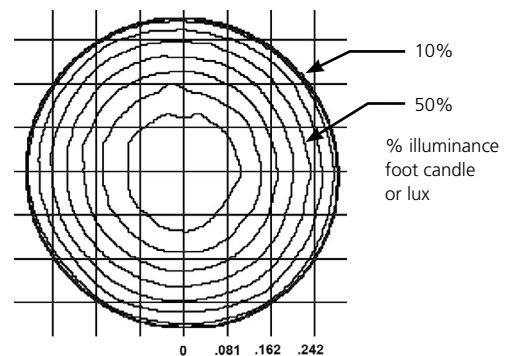
Throw Distance (d)	10'	15'	20'	30'	180.2'
	3.0m	4.6m	6.1m	9.1m	54.9m
Field Diameter	5.8'	8.7'	11.6'	17.4'	-
	1.8m	2.6m	3.5m	5.3m	-
Illuminance (fc)	325	144	81	36.1	1
Illuminance (lux)	3,495	1,553	874	388	10.76

For field diameter at any distance, multiply distance by 0.579
For beam diameter at any distance, multiply by 0.501

Candela Plot



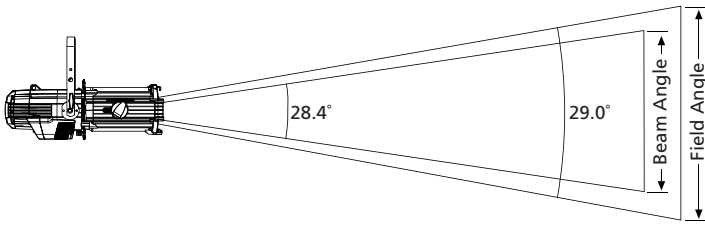
Iso-Illuminance Diagram (Flat Surface Distribution)



Source Four LED Series 2 Lustr 25-50° Zoom Narrow

Mode	Degree	Candela	Field Lumens	Beam Lumens	Power Consumption	Efficacy (lpw)
Boost Full - Cold	25°	42,859	6,417	6,120	170.2	37.7
Regulated Full	25°	38,895	5,823	5,554	150	38.8
Regulated 3200K	25°	35,985	5,388	5,138	125.4	43.0
Regulated 5600K	25°	22,823	3,417	3,259	110.3	31.0

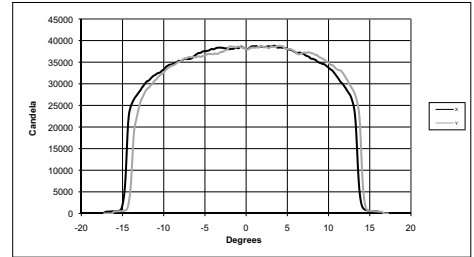
Metric conversions: For meters, multiply feet by 0.3048
For lux, multiply footcandles by 10.76



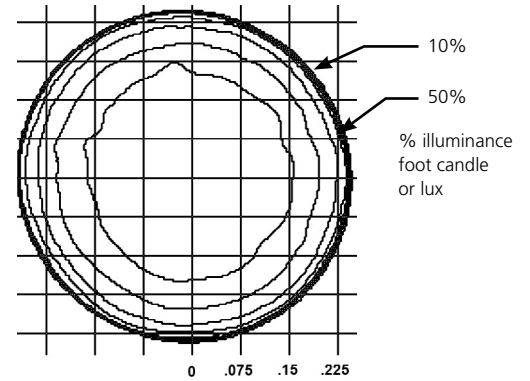
Throw Distance (d)	10'	15'	20'	30'	197.2'
	3.0m	4.6m	6.1m	9.1m	60.1m
Field Diameter	5.2'	7.8'	10.3'	15.5'	-
	1.6m	2.4m	3.2m	4.7m	-
Illuminance (fc)	389	173	97	43.2	1
Illuminance (lux)	4,187	1,861	1,047	465	10.76

For field diameter at any distance, multiply distance by 0.517
For beam diameter at any distance, multiply by 0.506

Candela Plot



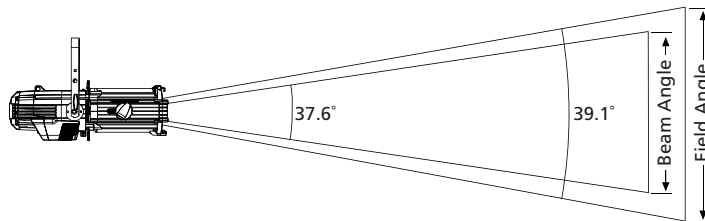
Iso-Illuminance Diagram (Flat Surface Distribution)



Source Four LED Series 2 Lustr 25-50° Zoom Mid

Mode	Degree	Candela	Field Lumens	Beam Lumens	Power Consumption	Efficacy (lpw)
Boost Full - Cold	37°	26,461	6,802	6,069	170.2	40.0
Regulated Full	37°	24,013	6,173	5,508	150	41.2
Regulated 3200K	37°	22,217	5,711	5,096	125.4	45.5
Regulated 5600K	37°	14,090	3,622	3,232	110.3	32.8

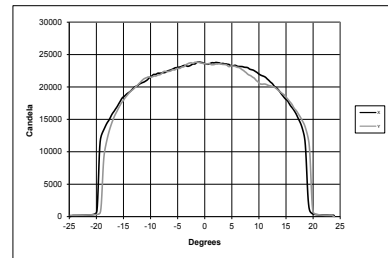
Metric conversions: For meters, multiply feet by 0.3048
For lux, multiply footcandles by 10.76



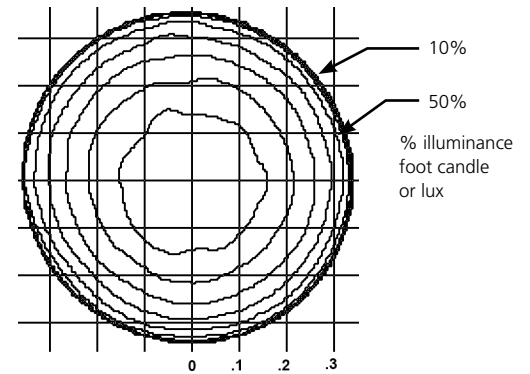
Throw Distance (d)	10'	15'	20'	30'	155.0'
	3.0m	4.6m	6.1m	9.1m	47.2m
Field Diameter	7.1'	10.7'	14.2'	21.3'	-
	2.2m	3.2m	4.3m	6.5m	-
Illuminance (fc)	240	107	60	26.7	1
Illuminance (lux)	2,585	1,149	646	287	10.76

For field diameter at any distance, multiply distance by 0.710
For beam diameter at any distance, multiply by 0.681

Candela Plot



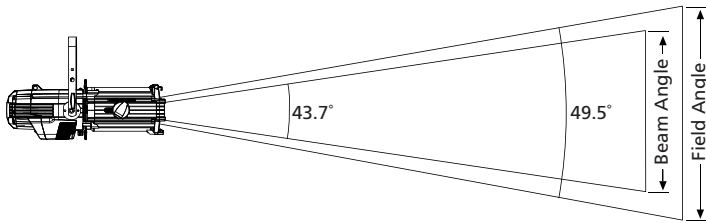
Iso-Illuminance Diagram (Flat Surface Distribution)



Source Four LED Series 2 Lustr 25-50° Zoom Wide

Mode	Degree	Candela	Field Lumens	Beam Lumens	Power Consumption	Efficacy (lpw)
Boost Full - Cold	50°	18,262	6,609	4,896	170.2	38.8
Regulated Full	50°	16,573	5,998	4,443	150	40.0
Regulated 3200K	50°	15,333	5,549	4,111	125.4	44.3
Regulated 5600K	50°	9,724	3,519	2,607	110.3	31.9

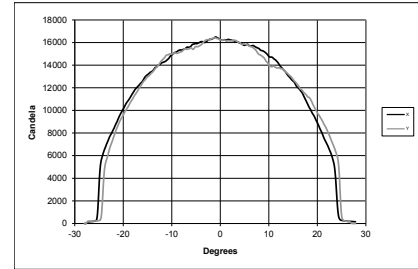
Metric conversions: For meters, multiply feet by 0.3048
 For lux, multiply footcandles by 10.76



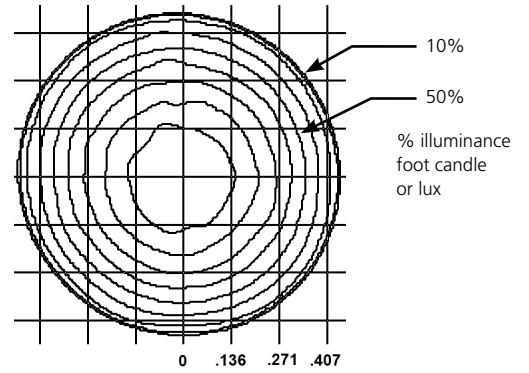
Throw Distance (d)	10'	15'	20'	30'	128.7'
	3.0m	4.6m	6.1m	9.1m	39.2m
Field Diameter	9.2'	13.8'	18.4'	27.7'	-
	2.8m	4.2m	5.6m	8.4m	-
Illuminance (fc)	166	74	41	18.4	1
Illuminance (lux)	1,784	793	446	198	10.76

For field diameter at any distance, multiply distance by 0.922
 For beam diameter at any distance, multiply by 0.802

Candela Plot



Iso-Illuminance Diagram (Flat Surface Distribution)

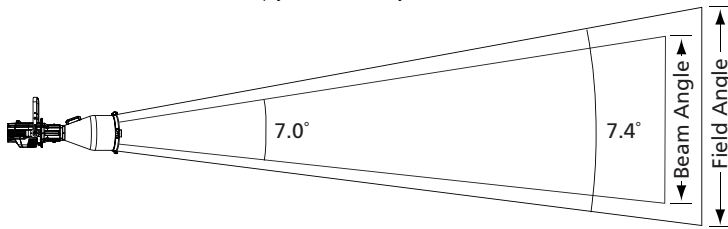


Source Four LED Series

Source Four LED Series 2 Daylight HD 5°

Mode	Degree	Candela	Field Lumens	Beam Lumens	Power Consumption	Efficacy (lpw)
Boost Full - Cold	5°	706,914	7,487	7,292	248	30.2
Regulated Full	5°	630,987	6,687	6,497	233	28.7
Regulated 3200K	5°	357,848	3,961	3,753	122.2	32.4
Regulated 5600K	5°	606,790	6,418	6,152	221	29.0

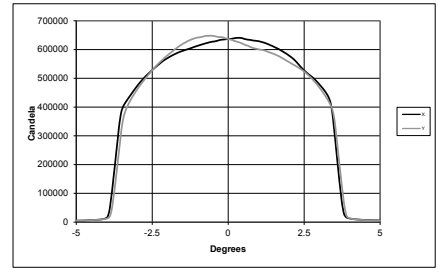
Metric conversions: For meters, multiply feet by 0.3048
For lux, multiply footcandles by 10.76



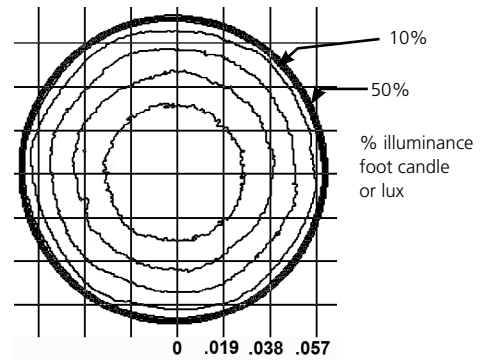
Throw Distance (d)	10'	15'	20'	30'	794.3'
	3.0m	4.6m	6.1m	9.1m	242.1m
Field Diameter	1.3'	1.9'	2.6'	3.9'	-
	0.4m	0.6m	0.8m	1.2m	-
Illuminance (fc)	6,310	2,804	1,577	701.1	1
Illuminance (lux)	67,919	30,186	16,980	7,547	10.76

For field diameter at any distance, multiply distance by 0.129
For beam diameter at any distance, multiply by 0.122

Candela Plot



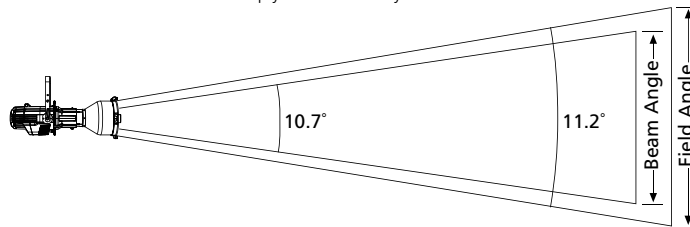
Iso-Illuminance Diagram (Flat Surface Distribution)



Source Four LED Series 2 Daylight HD 10°

Mode	Degree	Candela	Field Lumens	Beam Lumens	Power Consumption	Efficacy (lpw)
Boost Full - Cold	10°	431,585	9,380	8,876	248	37.8
Regulated Full	10°	385,230	8,378	7,907	233	36.0
Regulated 3200K	10°	218,474	4,962	4,569	122.2	40.6
Regulated 5600K	10°	370,457	8,041	7,489	221	36.4

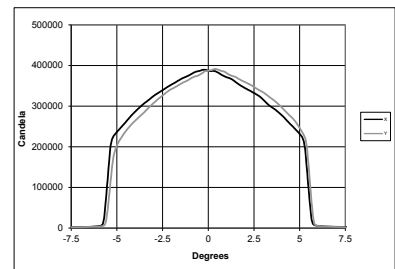
Metric conversions: For meters, multiply feet by 0.3048
For lux multiply footcandles by 10.76



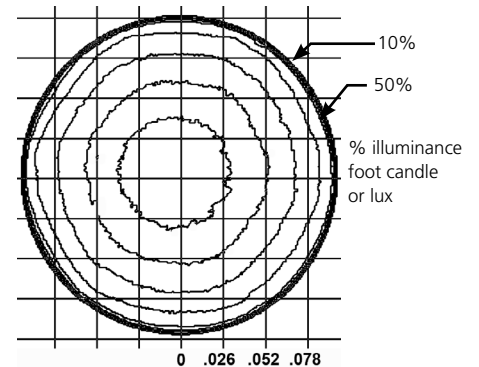
Throw Distance (d)	10'	15'	20'	30'	620.7'
	3.0m	4.6m	6.1m	9.1m	189.2m
Field Diameter	2.0'	2.9'	3.9'	5.9'	-
	0.6m	0.9m	1.2m	1.8m	-
Illuminance (fc)	3,852	1,712	963	428.0	1
Illuminance (lux)	41,466	18,429	10,366	4,607	10.76

For field diameter at any distance, multiply distance by 0.196
For beam diameter at any distance, multiply by 0.187

Candela Plot



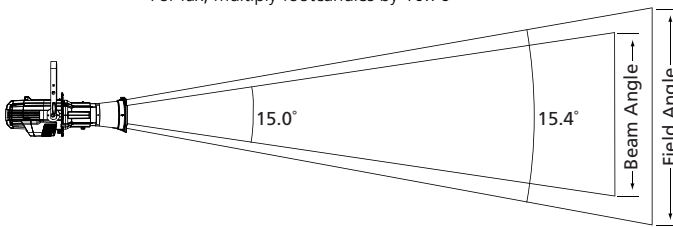
Iso-Illuminance Diagram (Flat Surface Distribution)



Source Four LED Series 2 Daylight HD 14°

Mode	Degree	Candela	Field Lumens	Beam Lumens	Power Consumption	Efficacy (lpw)
Boost Full - Cold	14°	213,985	9,377	9,195	248	37.8
Regulated Full	14°	191,002	8,375	8,191	233	35.9
Regulated 3200K	14°	108,322	4,960	4,733	122.2	40.6
Regulated 5600K	14°	183,677	8,038	7,757	221	36.4

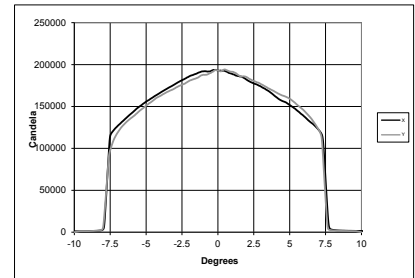
Metric conversions: For meters, multiply feet by 0.3048
For lux, multiply footcandles by 10.76



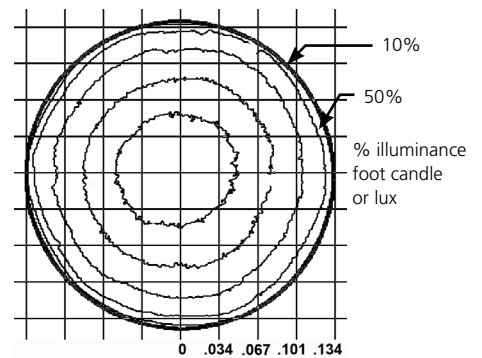
Throw Distance (d)	10'	15'	20'	30'	437.0'
	3.0m	4.6m	6.1m	9.1m	133.2m
Field Diameter	2.7'	4.1'	5.4'	8.1'	-
	0.8m	1.2m	1.6m	2.5m	-
Illuminance (fc)	1,910	849	478	212.2	1
Illuminance (lux)	20,559	9,137	5,140	2,284	10.76

For field diameter at any distance, multiply distance by 0.270
For beam diameter at any distance, multiply by 0.263

Candela Plot



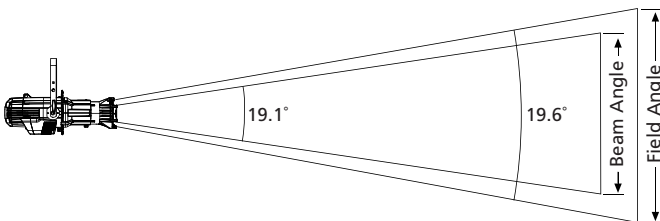
Iso-Illuminance Diagram (Flat Surface Distribution)



Source Four LED Series 2 Daylight HD 19° EDLT

Mode	Degree	Candela	Field Lumens	Beam Lumens	Power Consumption	Efficacy (lpw)
Boost Full - Cold	19°	134,221	9,626	9,298	248	38.8
Regulated Full	19°	119,804	8,597	8,283	233	36.9
Regulated 3200K	19°	67,944	5,092	4,786	122.2	41.7
Regulated 5600K	19°	115,210	8,251	7,844	223	36.6

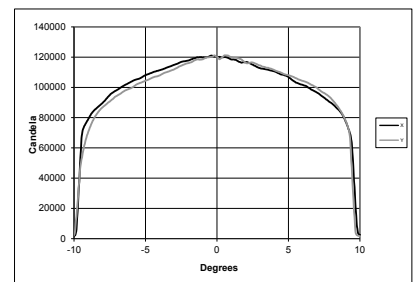
Metric conversions: For meters, multiply feet by 0.3048
For lux, multiply footcandles by 10.76



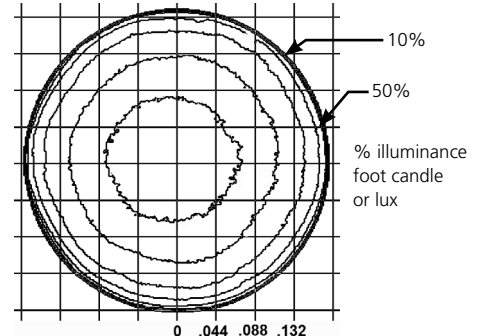
Throw Distance (d)	10'	15'	20'	30'	346.1'
	3.0m	4.6m	6.1m	9.1m	105.5m
Field Diameter	3.5'	5.2'	6.9'	10.4'	-
	1.1m	1.6m	2.1m	3.2m	-
Illuminance (fc)	1,198	532	300	133.1	1
Illuminance (lux)	12,896	5,731	3,224	1,433	10.76

For field diameter at any distance, multiply distance by 0.345
For beam diameter at any distance, multiply by 0.336

Candela Plot



Iso-Illuminance Diagram (Flat Surface Distribution)

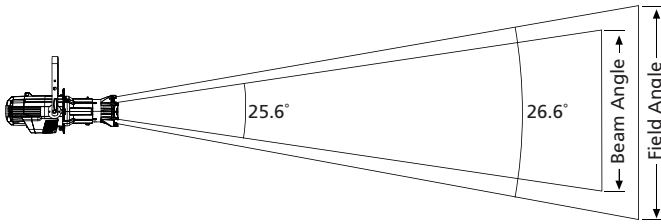


Source Four LED Series

Source Four LED Series 2 Daylight HD 26° EDLT

Mode	Degree	Candela	Field Lumens	Beam Lumens	Power Consumption	Efficacy (lpw)
Boost Full - Cold	26°	97,490	11,489	10,171	248	46.3
Regulated Full	26°	87,019	10,261	9,061	233	44.0
Regulated 3200K	26°	49,351	6,077	5,235	122.2	49.7
Regulated 5600K	26°	83,682	9,848	8,581	221	44.6

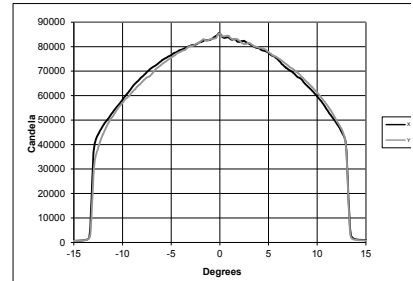
Metric conversions: For meters, multiply feet by 0.3048
For lux, multiply footcandles by 10.76



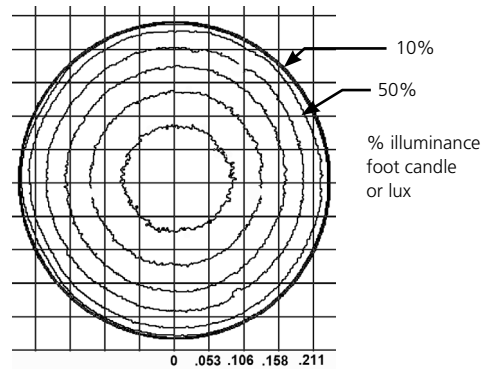
Throw Distance (d)	10'	15'	20'	30'	295.0'
	3.0m	4.6m	6.1m	9.1m	89.9m
Field Diameter	4.7'	7.1'	9.5'	14.2'	-
	1.4m	2.2m	2.9m	4.3m	-
Illuminance (fc)	870	387	218	96.7	1
Illuminance (lux)	9,367	4,163	2,342	1,041	10.76

For field diameter at any distance, multiply distance by 0.473
For beam diameter at any distance, multiply by 0.454

Candela Plot



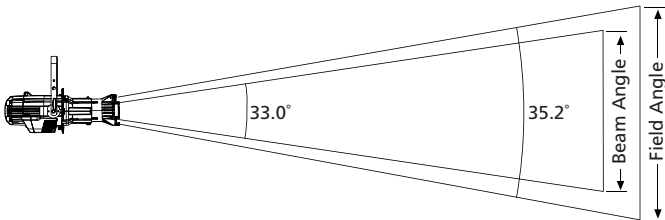
Iso-Illuminance Diagram (Flat Surface Distribution)



Source Four LED Series 2 Daylight HD 36° EDLT

Mode	Degree	Candela	Field Lumens	Beam Lumens	Power Consumption	Efficacy (lpw)
Boost Full - Cold	36°	51,659	11,078	9,249	248	44.7
Regulated Full	36°	46,111	9,894	8,239	233	42.5
Regulated 3200K	36°	26,150	5,860	4,760	122.2	48.0
Regulated 5600K	36°	44,342	9,496	7,803	221	43.0

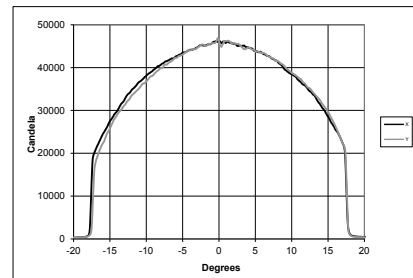
Metric conversions: For meters, multiply feet by 0.3048
For lux, multiply footcandles by 10.76



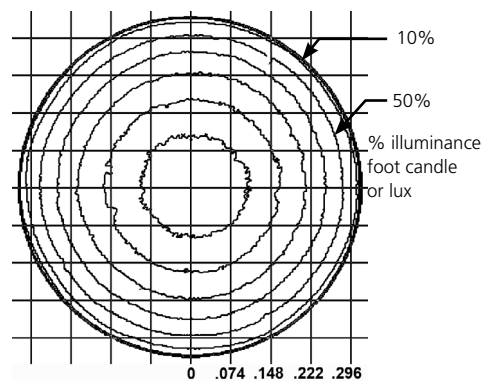
Throw Distance (d)	10'	15'	20'	30'	214.7'
	3.0m	4.6m	6.1m	9.1m	65.5m
Field Diameter	6.3'	9.5'	12.7'	19.0'	-
	1.9m	2.9m	3.9m	5.8m	-
Illuminance (fc)	461	205	115	51.2	1
Illuminance (lux)	4,963	2,206	1,241	551	10.76

For field diameter at any distance, multiply distance by 0.634
For beam diameter at any distance, multiply by 0.592

Candela Plot



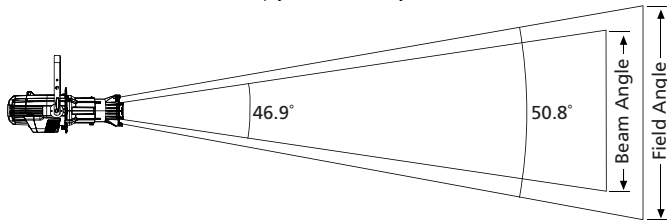
Iso-Illuminance Diagram (Flat Surface Distribution)



Source Four LED Series 2 Daylight HD 50° EDLT

Mode	Degree	Candela	Field Lumens	Beam Lumens	Power Consumption	Efficacy (lpw)
Boost Full - Cold	50°	25,552	11,152	8,115	248	45.0
Regulated Full	50°	22,808	9,960	7,230	233	42.7
Regulated 3200K	50°	12,935	5,899	4,177	122.2	48.3
Regulated 5600K	50°	21,933	9,559	6,847	221	43.3

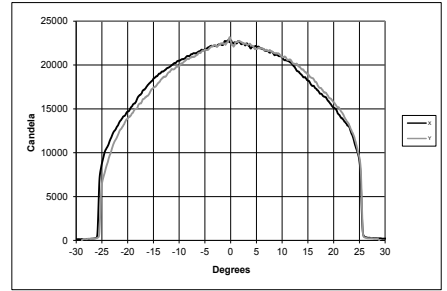
Metric conversions: For meters, multiply feet by 0.3048
For lux, multiply footcandles by 10.76



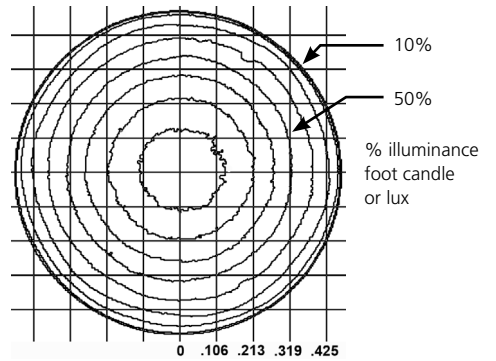
Throw Distance (d)	10'	15'	20'	30'	151.0
	3.0m	4.6m	6.1m	9.1m	46.0m
Field Diameter	9.5'	14.2'	19.0'	28.5'	-
	2.9m	4.3m	5.8m	8.7m	-
Illuminance (fc)	228	101	57	25.3	1
Illuminance (lux)	2,455	1,091	614	273	10.76

For field diameter at any distance, multiply distance by 0.950
For beam diameter at any distance, multiply by 0.868

Candela Plot



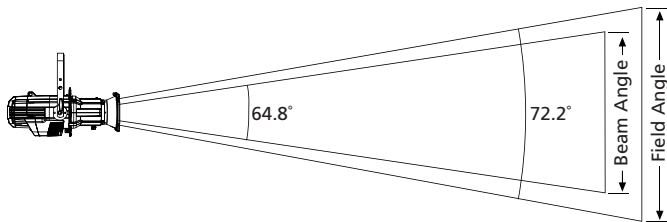
Iso-Illuminance Diagram (Flat Surface Distribution)



Source Four LED Series 2 Daylight HD 70°

Mode	Degree	Candela	Field Lumens	Beam Lumens	Power Consumption	Efficacy (lpw)
Boost Full - Cold	70°	16,012	13,060	7,276	248	52.7
Regulated Full	70°	14,292	11,665	6,482	233	50.1
Regulated 3200K	70°	8,105	6,909	3,745	122.2	56.5
Regulated 5600K	70°	13,744	11,195	6,139	221	50.7

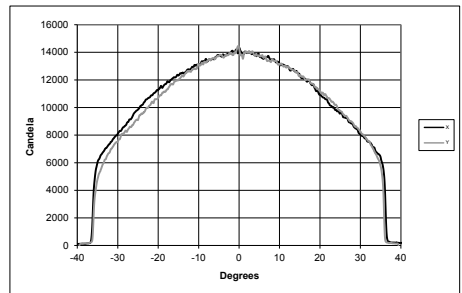
Metric conversions: For meters, multiply feet by 0.3048
For lux, multiply footcandles by 10.76



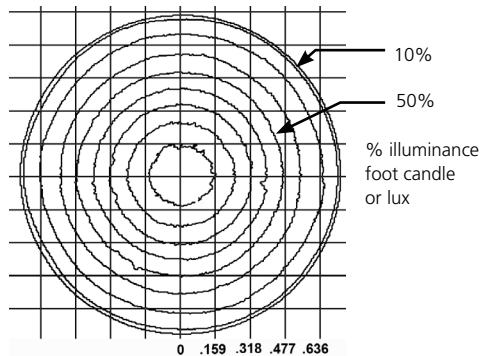
Throw Distance (d)	10'	15'	20'	30'	119.6'
	3.0m	4.6m	6.1m	9.1m	36.4m
Field Diameter	14.6'	21.9'	29.2'	43.8'	-
	4.4m	6.7m	8.9m	13.3m	-
Illuminance (fc)	143	64	36	15.9	1
Illuminance (lux)	1,538	684	385	171	10.76

For field diameter at any distance, multiply distance by 1.458
For beam diameter at any distance, multiply by 1.269

Candela Plot



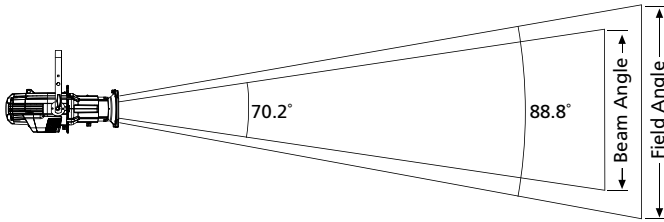
Iso-Illuminance Diagram (Flat Surface Distribution)



Source Four LED Series 2 Daylight HD 90°

Mode	Degree	Candela	Field Lumens	Beam Lumens	Power Consumption	Efficacy (lpw)
Boost Full - Cold	90°	12,258	12,781	6,081	248	51.5
Regulated Full	90°	10,941	11,415	5,418	233	49.0
Regulated 3200K	90°	6,205	6,761	3,130	122.2	55.3
Regulated 5600K	90°	10,522	10,956	5,131	221	49.6

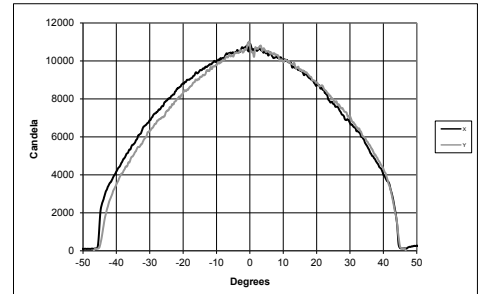
Metric conversions: For meters, multiply feet by 0.3048
For lux, multiply footcandles by 10.76



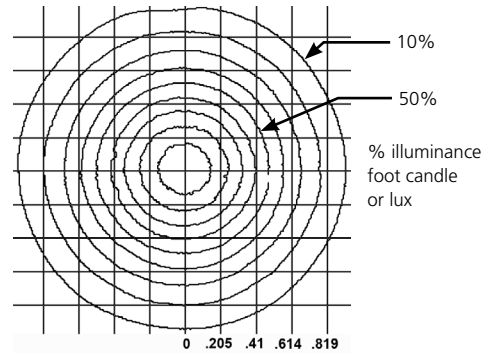
Throw Distance (d)	10'	15'	20'	30'	104.6'
	3.0m	4.6m	6.1m	9.1m	31.9m
Field Diameter	19.6'	29.4'	39.2'	58.8'	-
	6.0m	9.0m	11.9m	17.9m	-
Illuminance (fc)	109	49	27	12.2	1
Illuminance (lux)	1,178	523	294	131	10.76

For field diameter at any distance, multiply distance by 1.959
For beam diameter at any distance, multiply by 1.406

Candela Plot



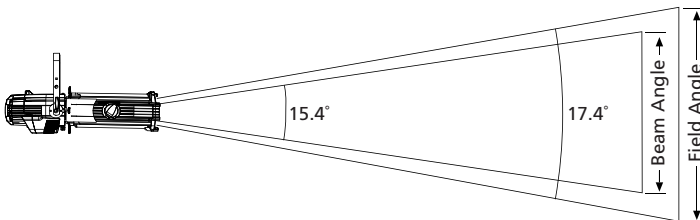
Iso-Illuminance Diagram (Flat Surface Distribution)



Source Four LED Series 2 Daylight HD 15-30° Narrow

Mode	Degree	Candela	Field Lumens	Beam Lumens	Power Consumption	Efficacy (lpw)
Boost Full - Cold	15-30°	174,843	8,825	7,190	248	35.6
Regulated Full	15-30°	156,064	7,882	6,406	233	33.8
Regulated 3200K	15-30°	88,508	4,668	3,701	122.2	38.2
Regulated 5600K	15-30°	150,079	7,565	6,066	221	34.2

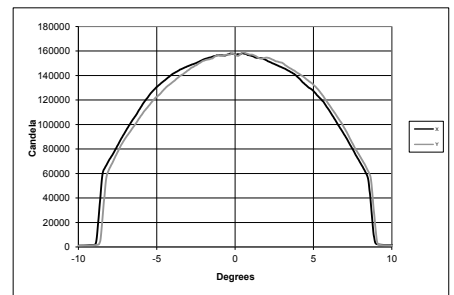
Metric conversions: For meters, multiply feet by 0.3048
For lux, multiply footcandles by 10.76



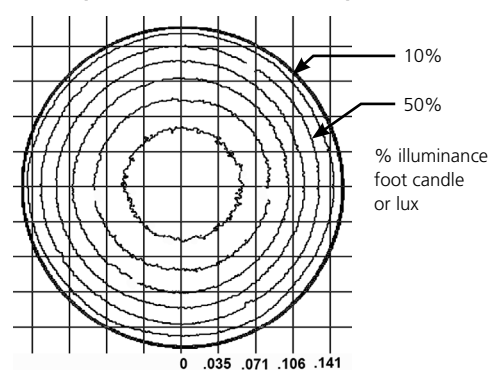
Throw Distance (d)	10'	15'	20'	30'	395.0'
	3.0m	4.6m	6.1m	9.1m	120.4m
Field Diameter	3.1'	4.6'	6.1'	9.2'	-
	0.9m	1.4m	1.9m	2.8m	-
Illuminance (fc)	1,561	694	390	173.4	1
Illuminance (lux)	16,799	7,466	4,200	1,867	10.76

For field diameter at any distance, multiply distance by 0.306
For beam diameter at any distance, multiply by 0.270

Candela Plot



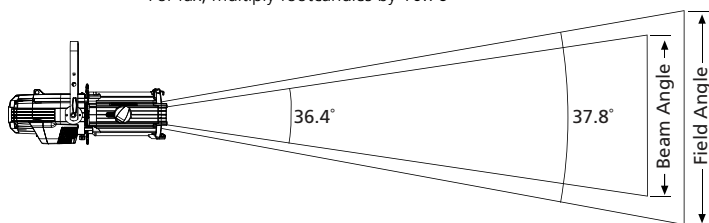
Iso-Illuminance Diagram (Flat Surface Distribution)



Source Four LED Series 2 Daylight HD 15-30° Mid

Mode	Degree	Candela	Field Lumens	Beam Lumens	Power Consumption	Efficacy (lpw)
Boost Full - Cold	15-30°	97,252	10,102	7,958	248	40.7
Regulated Full	15-30°	86,807	9,023	7,090	233	38.7
Regulated 3200K	15-30°	49,230	5,344	4,096	122.2	43.7
Regulated 5600K	15-30°	83,478	8,660	6,714	221	39.2

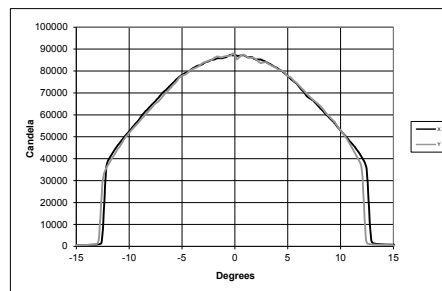
Metric conversions: For meters, multiply feet by 0.3048
For lux, multiply footcandles by 10.76



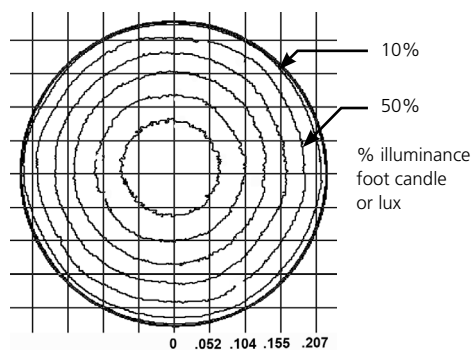
Throw Distance (d)	10'	15'	20'	30'	294.6'
	3.0m	4.6m	6.1m	9.1m	89.8m
Field Diameter	4.5'	6.7'	9.0'	13.5'	-
	1.4m	2.1m	2.7m	4.1m	-
Illuminance (fc)	868	386	217	96.5	1
Illuminance (lux)	9,344	4,153	2,336	1,038	10.76

For field diameter at any distance, multiply distance by 0.449
For beam diameter at any distance, multiply by 0.405

Candela Plot



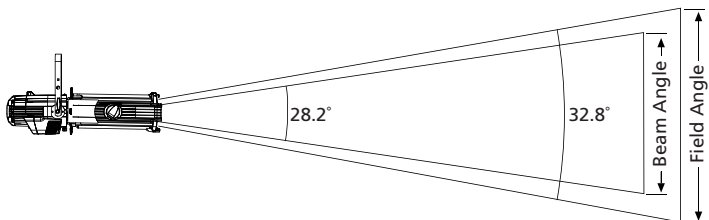
Iso-Illuminance Diagram (Flat Surface Distribution)



Source Four LED Series 2 Daylight HD 15-30° Wide

Mode	Degree	Candela	Field Lumens	Beam Lumens	Power Consumption	Efficacy (lpw)
Boost Full - Cold	15-30°	57,825	9,565	7,132	248	38.6
Regulated Full	15-30°	51,614	8,543	6,354	233	36.7
Regulated 3200K	15-30°	29,272	5,060	3,671	122.2	41.4
Regulated 5600K	15-30°	49,635	8,199	6,017	221	37.1

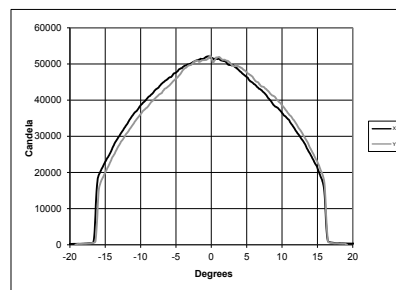
Metric conversions: For meters, multiply feet by 0.3048
For lux, multiply footcandles by 10.76



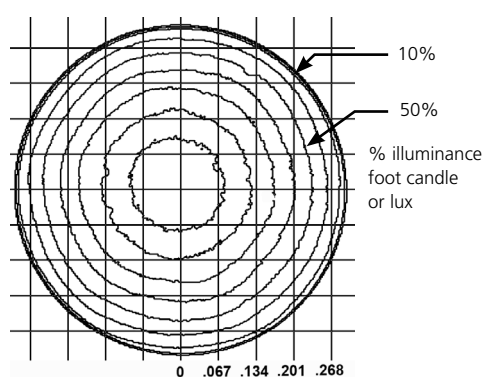
Throw Distance (d)	10'	15'	20'	30'	227.2'
	3.0m	4.6m	6.1m	9.1m	69.2m
Field Diameter	5.9'	8.8'	11.8'	17.7'	-
	1.8m	2.7m	3.6m	5.4m	-
Illuminance (fc)	516	229	129	57.3	1
Illuminance (lux)	5,556	2,469	1,389	617	10.76

For field diameter at any distance, multiply distance by 0.589
For beam diameter at any distance, multiply by 0.502

Candela Plot



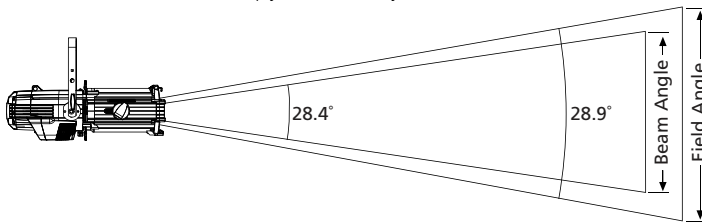
Iso-Illuminance Diagram (Flat Surface Distribution)



Source Four LED Series 2 Daylight HD 25-50° Narrow

Mode	Degree	Candela	Field Lumens	Beam Lumens	Power Consumption	Efficacy (lpw)
Boost Full - Cold	25-50°	74,012	11,798	11,332	248	47.6
Regulated Full	25-50°	66,062	10,537	10,095	233	45.2
Regulated 3200K	25-50°	37,466	6,241	5,832	122.2	51.1
Regulated 5600K	25-50°	63,529	10,113	9,560	221	45.8

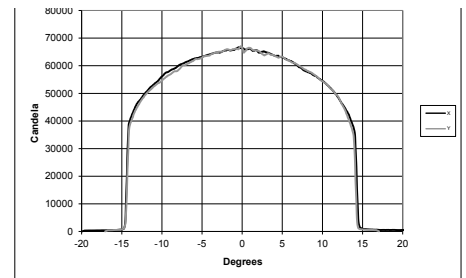
Metric conversions: For meters, multiply feet by 0.3048
For lux, multiply footcandles by 10.76



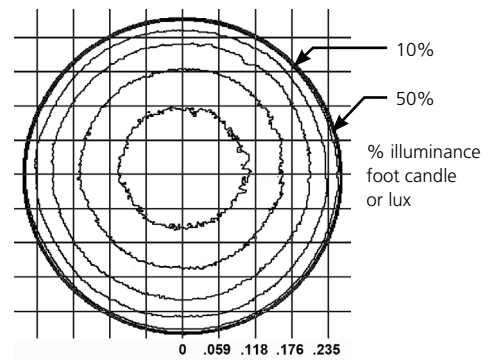
Throw Distance (d)	10'	15'	20'	30'	257.0'
	3.0m	4.6m	6.1m	9.1m	78.3m
Field Diameter	5.2'	7.7'	10.3'	15.5'	-
	1.6m	2.4m	3.1m	4.7m	-
Illuminance (fc)	661	294	165	73.4	1
Illuminance (lux)	7,111	3,160	1,778	790	10.76

For field diameter at any distance, multiply distance by 0.515
For beam diameter at any distance, multiply by 0.506

Candela Plot



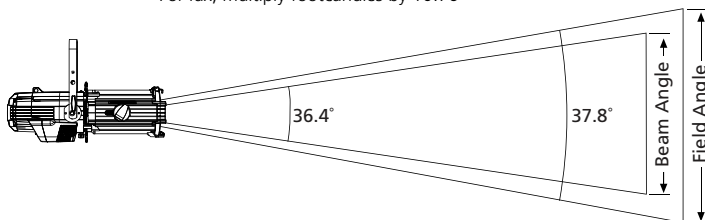
Iso-Illuminance Diagram (Flat Surface Distribution)



Source Four LED Series 2 Daylight HD 25-50° Mid

Mode	Degree	Candela	Field Lumens	Beam Lumens	Power Consumption	Efficacy (lpw)
Boost Full - Cold	25-50°	47,836	12,486	10,888	248	50.3
Regulated Full	25-50°	42,698	11,151	9,700	233	47.9
Regulated 3200K	25-50°	24,215	6,605	5,604	122.2	54.0
Regulated 5600K	25-50°	41,061	10,703	9,186	221	48.4

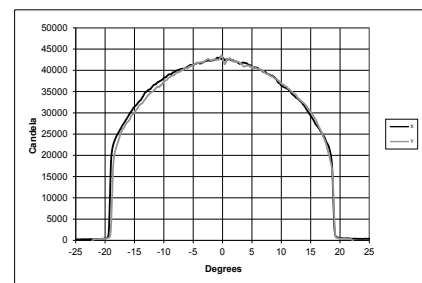
Metric conversions: For meters, multiply feet by 0.3048
For lux, multiply footcandles by 10.76



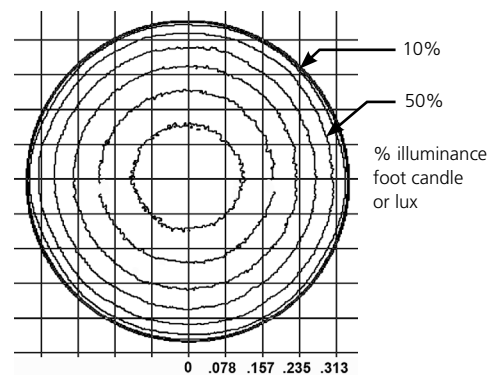
Throw Distance (d)	10'	15'	20'	30'	206.6'
	3.0m	4.6m	6.1m	9.1m	63.0m
Field Diameter	6.8'	10.3'	13.7'	20.5'	-
	2.1m	3.1m	4.2m	6.3m	-
Illuminance (fc)	427	190	107	47.4	1
Illuminance (lux)	4,596	2,043	1,149	511	10.76

For field diameter at any distance, multiply distance by 0.685
For beam diameter at any distance, multiply by 0.658

Candela Plot



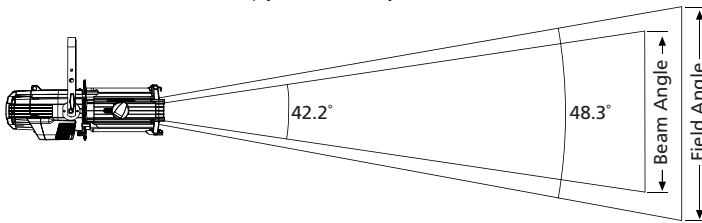
Iso-Illuminance Diagram (Flat Surface Distribution)



Source Four LED Series 2 Daylight HD 25-50° Wide

Mode	Degree	Candela	Field Lumens	Beam Lumens	Power Consumption	Efficacy (lpw)
Boost Full - Cold	25-50°	31,740	12,357	8,334	248	49.8
Regulated Full	25-50°	28,331	11,037	7,425	233	47.4
Regulated 3200K	25-50°	16,067	6,537	4,290	122.2	53.5
Regulated 5600K	25-50°	27,244	10,593	7,031	221	47.9

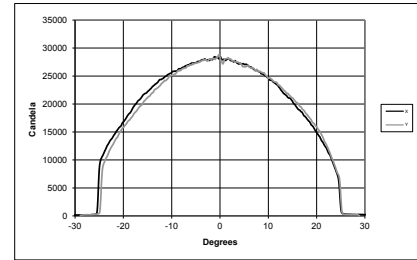
Metric conversions: For meters, multiply feet by 0.3048
 For lux, multiply footcandles by 10.76



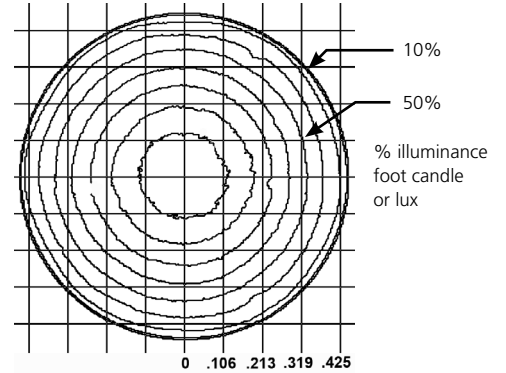
Throw Distance (d)	10'	15'	20'	30'	168.3'
	3.0m	4.6m	6.1m	9.1m	51.3m
Field Diameter	9.0'	13.5'	17.9'	26.9'	-
	2.7m	4.1m	5.5m	8.2m	-
Illuminance (fc)	283	126	71	31.5	1
Illuminance (lux)	3,049	1,355	762	339	10.76

For field diameter at any distance, multiply distance by 0.897
 For beam diameter at any distance, multiply by 0.772

Candela Plot



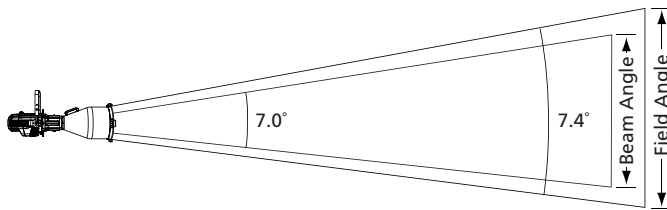
Iso-Illuminance Diagram (Flat Surface Distribution)



Source Four LED Series 2 Tungsten HD 5°

Mode	Degree	Candela	Field Lumens	Beam Lumens	Power Consumption	Efficacy (lpw)
Boost Full - Cold	5°	727,788	6,864	6,512	208	33.0
Regulated Full	5°	645,303	6,106	5,867	188.8	32.3
Regulated 3200K	5°	622,956	5,896	5,696	180.3	32.7
Regulated 5600K	5°	377,343	3,560	3,416	114.1	31.2

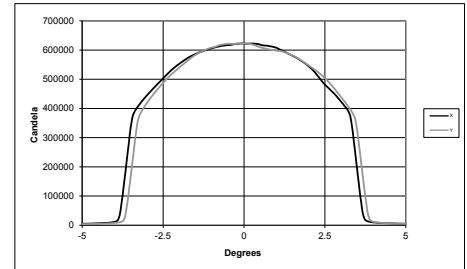
Metric conversions: For meters, multiply feet by 0.3048
For lux, multiply footcandles by 10.76



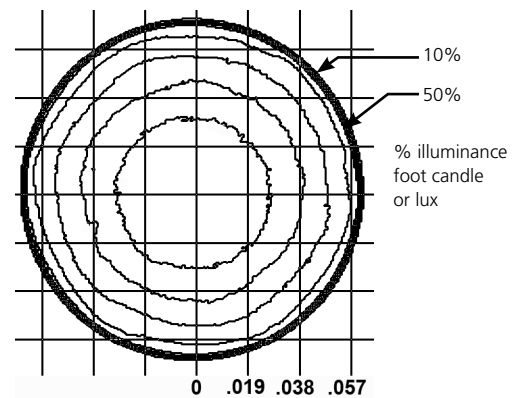
Throw Distance (d)	10'	15'	20'	30'	803.3'
	3.0m	4.6m	6.1m	9.1m	244.8m
Field Diameter	1.3'	1.9'	2.6'	3.9'	-
	0.4m	0.6m	0.8m	1.2m	-
Illuminance (fc)	6,453	2,868	1,613	717.0	1
Illuminance (lux)	69,460	30,871	17,365	7,718	10.76

For field diameter at any distance, multiply distance by 0.129
For beam diameter at any distance, multiply by 0.122

Candela Plot



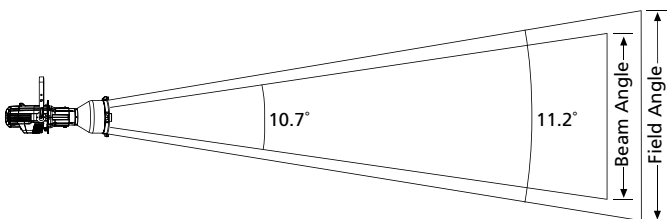
Iso-Illuminance Diagram (Flat Surface Distribution)



Source Four LED Series 2 Tungsten HD 10°

Mode	Degree	Candela	Field Lumens	Beam Lumens	Power Consumption	Efficacy (lpw)
Boost Full - Cold	10°	391,222	8,268	7,724	208	39.7
Regulated Full	10°	346,882	7,355	6,959	188.8	39.0
Regulated 3200K	10°	334,870	7,101	6,756	180.3	39.4
Regulated 5600K	10°	202,841	4,287	4,051	114.1	37.6

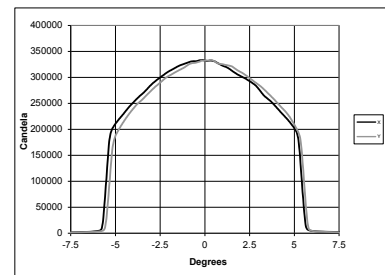
Metric conversions: For meters, multiply feet by 0.3048
For lux, multiply footcandles by 10.76



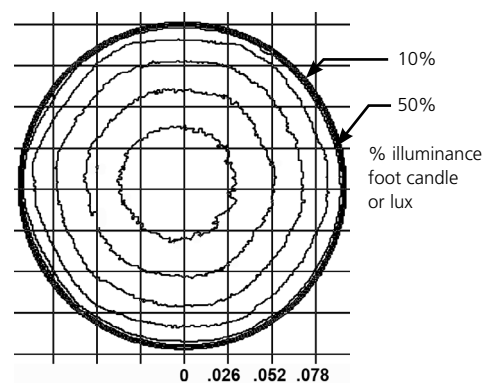
Throw Distance (d)	10'	15'	20'	30'	589.0'
	3.0m	4.6m	6.1m	9.1m	179.5m
Field Diameter	2.0'	2.9'	3.9'	5.9'	-
	0.6m	0.9m	1.2m	1.8m	-
Illuminance (fc)	3,469	1,542	867	385.4	1
Illuminance (lux)	37,338	16,595	9,335	4,149	10.76

For field diameter at any distance, multiply distance by 0.196
For beam diameter at any distance, multiply by 0.187

Candela Plot



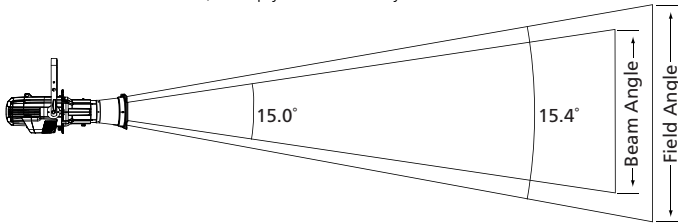
Iso-Illuminance Diagram (Flat Surface Distribution)



Source Four LED Series 2 Tungsten HD 14°

Mode	Degree	Candela	Field Lumens	Beam Lumens	Power Consumption	Efficacy (lpw)
Boost Full - Cold	14°	197,218	8,322	7,996	208	40.0
Regulated Full	14°	174,866	7,403	7,204	188.8	39.2
Regulated 3200K	14°	168,810	7,147	6,993	180.3	39.6
Regulated 5600K	14°	102,253	4,315	4,194	114.1	37.8

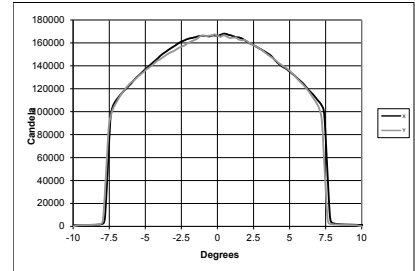
Metric conversions: For meters, multiply feet by 0.3048
For lux, multiply footcandles by 10.76



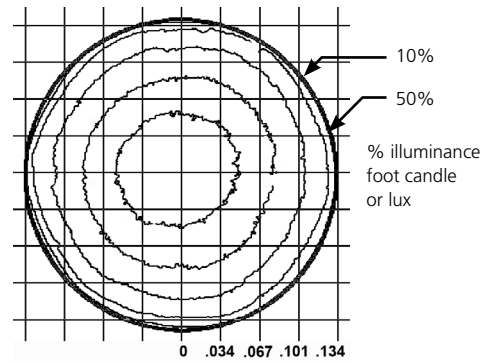
Throw Distance (d)	10'	15'	20'	30'	418.2'
	3.0m	4.6m	6.1m	9.1m	127.5m
Field Diameter	2.7'	4.1'	5.4'	8.1'	-
	0.8m	1.2m	1.6m	2.5m	-
Illuminance (fc)	1,749	777	437	194.3	1
Illuminance (lux)	18,822	8,365	4,706	2,091	10.76

For field diameter at any distance, multiply distance by 0.270
For beam diameter at any distance, multiply by 0.263

Candela Plot



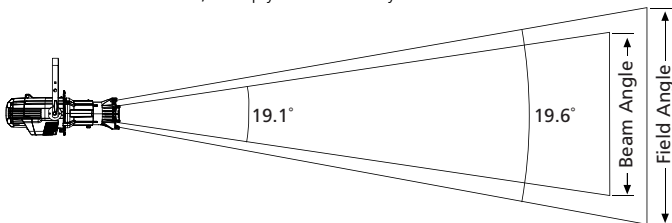
Iso-Illuminance Diagram (Flat Surface Distribution)



Source Four LED Series 2 Tungsten HD 19° EDLT

Mode	Degree	Candela	Field Lumens	Beam Lumens	Power Consumption	Efficacy (lpw)
Boost Full - Cold	19°	123,124	8,641	8,259	208	41.5
Regulated Full	19°	109,169	7,687	7,441	188.8	40.7
Regulated 3200K	19°	105,389	7,422	7,224	180.3	41.2
Regulated 5600K	19°	63,837	4,481	4,332	106.7	39.3

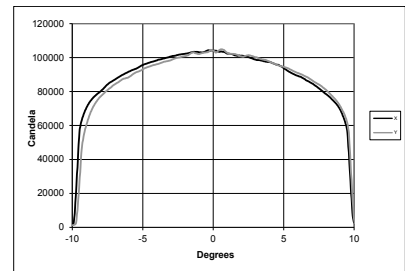
Metric conversions: For meters, multiply feet by 0.3048
For lux, multiply footcandles by 10.76



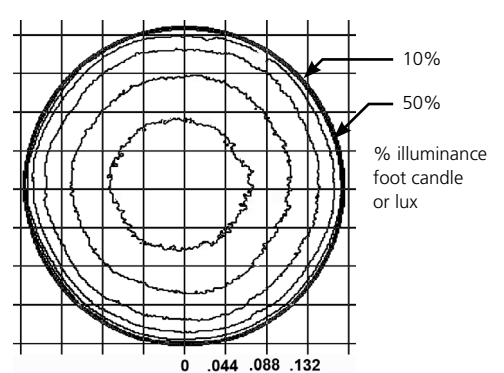
Throw Distance (d)	10'	15'	20'	30'	330.4'
	3.0m	4.6m	6.1m	9.1m	100.7m
Field Diameter	3.5'	5.2'	6.9'	10.4'	-
	1.1m	1.6m	2.1m	3.2m	-
Illuminance (fc)	1,092	485	273	121.3	1
Illuminance (lux)	11,751	5,223	2,938	1,306	10.76

For field diameter at any distance, multiply distance by 0.345
For beam diameter at any distance, multiply by 0.336

Candela Plot



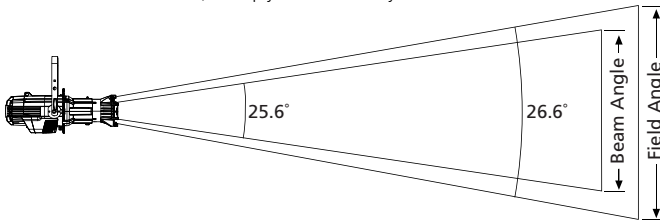
Iso-Illuminance Diagram (Flat Surface Distribution)



Source Four LED Series 2 Tungsten HD 26° EDLT

Mode	Degree	Candela	Field Lumens	Beam Lumens	Power Consumption	Efficacy (lpw)
Boost Full - Cold	26°	84,876	10,206	9,036	208	49.1
Regulated Full	26°	75,256	9,079	8,141	188.8	48.1
Regulated 3200K	26°	72,650	8,766	7,903	180.3	48.6
Regulated 5600K	26°	44,006	5,293	4,739	114.1	46.4

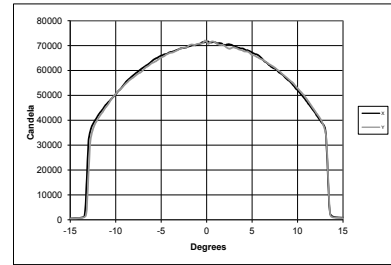
Metric conversions: For meters, multiply feet by 0.3048
For lux, multiply footcandles by 10.76



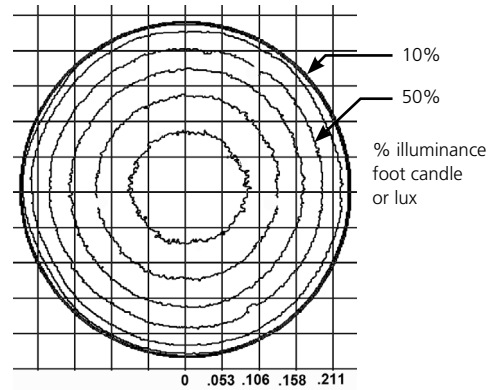
Throw Distance (d)	10'	15'	20'	30'	273.3'
	3.0m	4.6m	6.1m	9.1m	83.6m
Field Diameter	4.7'	7.1'	9.5'	14.2'	-
	1.4m	2.2m	2.9m	4.3m	-
Illuminance (fc)	753	334	188	83.6	1
Illuminance (lux)	8,100	3,600	2,025	900	10.76

For field diameter at any distance, multiply distance by 0.473
For beam diameter at any distance, multiply by 0.454

Candela Plot



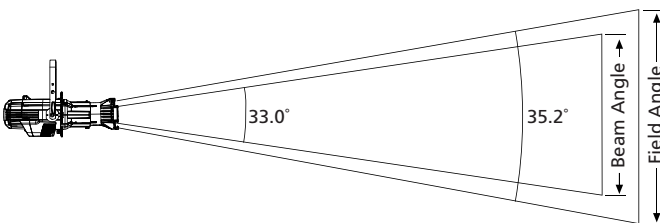
Iso-Illuminance Diagram (Flat Surface Distribution)



Source Four LED Series 2 Tungsten HD 36° EDLT

Mode	Degree	Candela	Field Lumens	Beam Lumens	Power Consumption	Efficacy (lpw)
Boost Full - Cold	36°	48,072	9,765	7,904	208	46.9
Regulated Full	36°	42,624	8,687	7,121	188.8	46.0
Regulated 3200K	36°	41,148	8,387	6,913	180.3	46.5
Regulated 5600K	36°	24,924	5,064	4,146	114.1	44.4

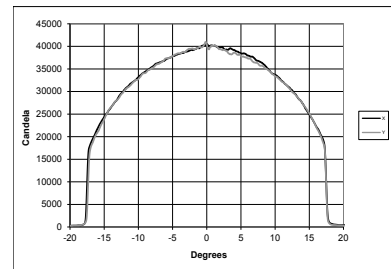
Metric conversions: For meters, multiply feet by 0.3048
For lux, multiply footcandles by 10.76



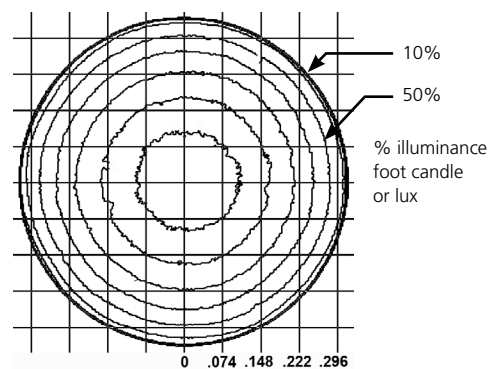
Throw Distance (d)	10'	15'	20'	30'	206.5'
	3.0m	4.6m	6.1m	9.1m	62.9m
Field Diameter	6.3'	9.5'	12.7'	19.0'	-
	1.9m	2.9m	3.9m	5.8m	-
Illuminance (fc)	426	189	107	47.4	1
Illuminance (lux)	4,588	2,039	1,147	510	10.76

For field diameter at any distance, multiply distance by 0.634
For beam diameter at any distance, multiply by 0.592

Candela Plot



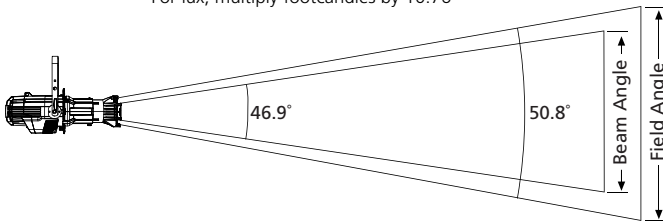
Iso-Illuminance Diagram (Flat Surface Distribution)



Source Four LED Series 2 Tungsten HD 50° EDLT

Mode	Degree	Candela	Field Lumens	Beam Lumens	Power Consumption	Efficacy (lpw)
Boost Full - Cold	50°	24,433	9,892	7,131	208	47.6
Regulated Full	50°	21,664	8,800	6,424	188.8	46.6
Regulated 3200K	50°	20,914	8,496	6,237	180.3	47.1
Regulated 5600K	50°	12,668	5,130	3,740	114.1	45.0

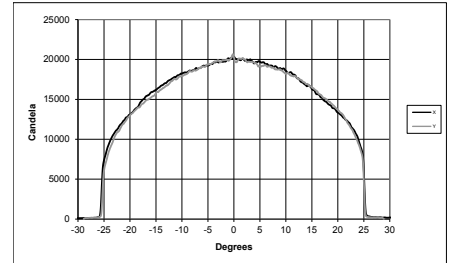
Metric conversions: For meters, multiply feet by 0.3048
For lux, multiply footcandles by 10.76



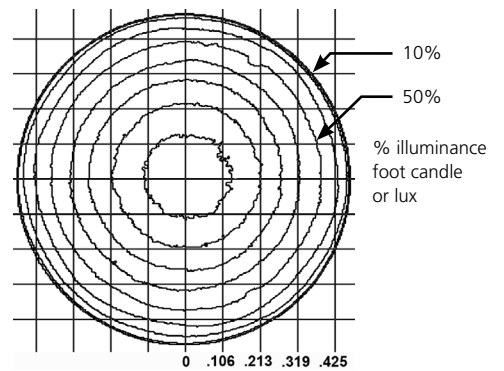
Throw Distance (d)	10'	15'	20'	30'	147.2'
	3.0m	4.6m	6.1m	9.1m	44.9m
Field Diameter	9.5'	14.2'	19.0'	28.5'	-
	2.9m	4.3m	5.8m	8.7m	-
Illuminance (fc)	217	96	54	24.1	1
Illuminance (lux)	2,332	1,036	583	259	10.76

For field diameter at any distance, multiply distance by 0.950
For beam diameter at any distance, multiply by 0.119

Candela Plot



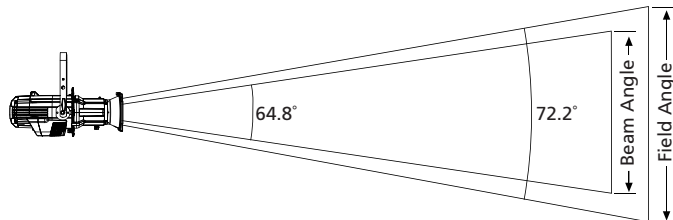
Iso-Illuminance Diagram (Flat Surface Distribution)



Source Four LED Series 2 Tungsten HD 70°

Mode	Degree	Candela	Field Lumens	Beam Lumens	Power Consumption	Efficacy (lpw)
Boost Full - Cold	70°	15,012	11,512	6,259	208	55.3
Regulated Full	70°	13,311	10,241	5,639	188.8	54.2
Regulated 3200K	70°	12,850	9,888	5,474	180.3	54.8
Regulated 5600K	70°	7,784	5,970	3,283	114.1	52.3

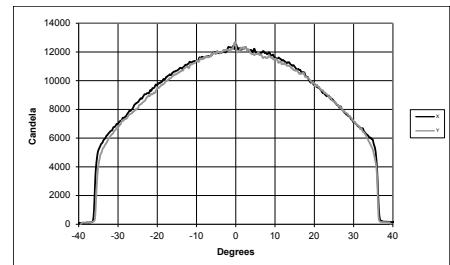
Metric conversions: For meters, multiply feet by 0.3048
For lux, multiply footcandles by 10.76



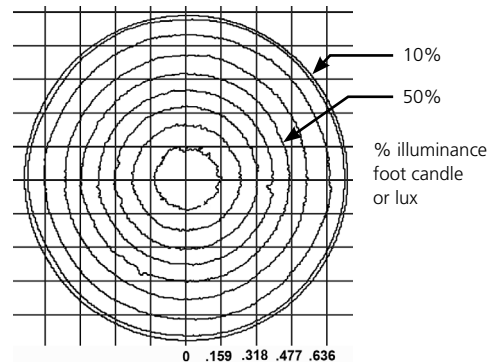
Throw Distance (d)	10'	15'	20'	30'	115.4'
	3.0m	4.6m	6.1m	9.1m	35.2m
Field Diameter	14.6'	21.9'	29.2'	43.8'	-
	4.4m	6.7m	8.9m	13.3m	-
Illuminance (fc)	133	59	33	14.8	1
Illuminance (lux)	1,433	637	358	159	10.76

For field diameter at any distance, multiply distance by 1.458
For beam diameter at any distance, multiply by 1.269

Candela Plot



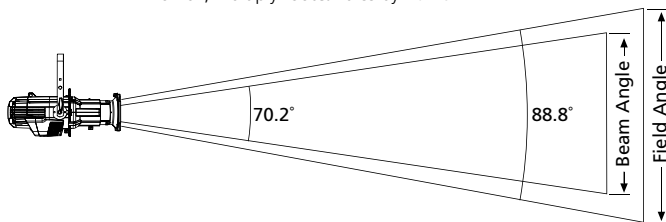
Iso-Illuminance Diagram (Flat Surface Distribution)



Source Four LED Series 2 Tungsten HD 90°

Mode	Degree	Candela	Field Lumens	Beam Lumens	Power Consumption	Efficacy (lpw)
Boost Full - Cold	90°	11,198	11,243	5,384	208	54.1
Regulated Full	90°	9,929	10,001	4,850	188.8	53.0
Regulated 3200K	90°	9,585	9,656	4,709	180.3	53.6
Regulated 5600K	90°	5,806	5,830	2,824	114.1	51.1

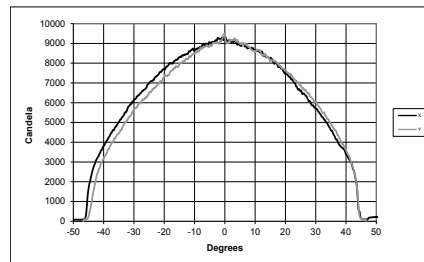
Metric conversions: For meters, multiply feet by 0.3048
For lux, multiply footcandles by 10.76



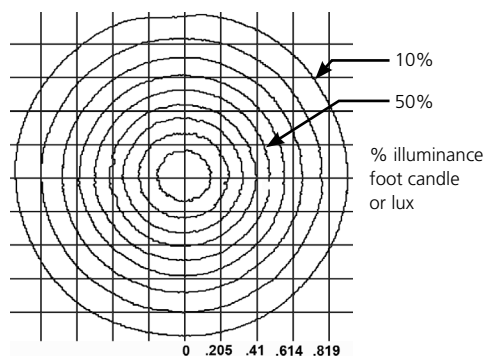
Throw Distance (d)	10'	15'	20'	30'	99.6'
	3.0m	4.6m	6.1m	9.1m	30.4m
Field Diameter	19.6'	29.4'	39.2'	58.8'	-
	6.0m	9.0m	11.9m	17.9m	-
Illuminance (fc)	99	44	25	11.0	1
Illuminance (lux)	1,069	475	267	119	10.76

For field diameter at any distance, multiply distance by 1.959
For beam diameter at any distance, multiply by 1.406

Candela Plot



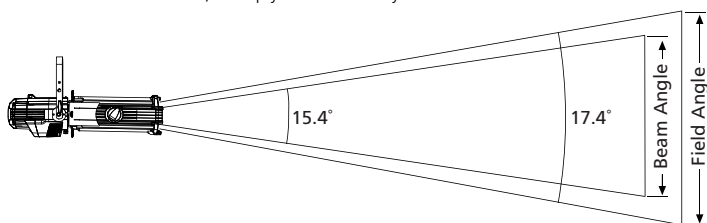
Iso-Illuminance Diagram (Flat Surface Distribution)



Source Four LED Series 2 Tungsten HD 15-30° Narrow

Mode	Degree	Candela	Field Lumens	Beam Lumens	Power Consumption	Efficacy (lpw)
Boost Full - Cold	15-30°	165,352	7,899	6,271	208	38.0
Regulated Full	15-30°	146,612	7,027	5,650	188.8	37.2
Regulated 3200K	15-30°	141,534	6,784	5,485	180.3	37.6
Regulated 5600K	15-30°	85,732	4,096	3,289	114.1	35.9

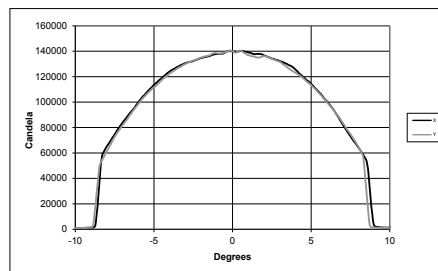
Metric conversions: For meters, multiply feet by 0.3048
For lux, multiply footcandles by 10.76



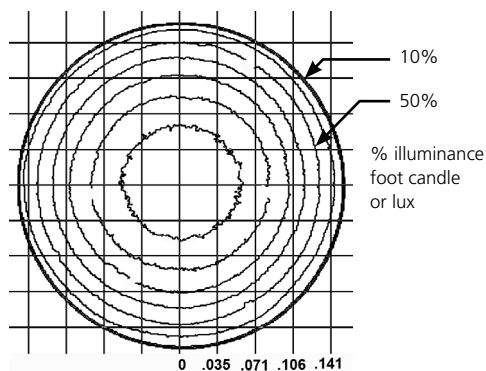
Throw Distance (d)	10'	15'	20'	30'	382.9'
	3.0m	4.6m	6.1m	9.1m	116.7m
Field Diameter	3.1'	4.6'	6.1'	9.2'	-
	0.9m	1.4m	1.9m	2.8m	-
Illuminance (fc)	1,466	652	367	162.9	1
Illuminance (lux)	15,781	7,014	3,945	1,753	10.76

For field diameter at any distance, multiply distance by 0.306
For beam diameter at any distance, multiply by 0.270

Candela Plot



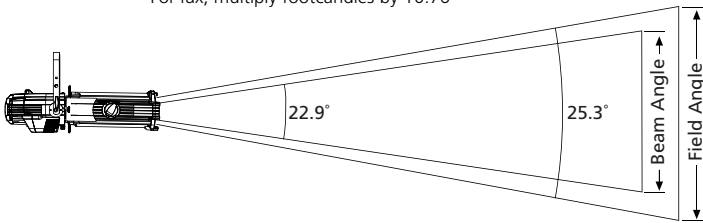
Iso-Illuminance Diagram (Flat Surface Distribution)



Source Four LED Series 2 Tungsten HD 15-30° Mid

Mode	Degree	Candela	Field Lumens	Beam Lumens	Power Consumption	Efficacy (lpw)
Boost Full - Cold	15-30°	89,693	8,989	7,176	208	43.2
Regulated Full	15-30°	79,528	7,997	6,465	188.8	42.4
Regulated 3200K	15-30°	76,774	7,721	6,276	180.3	42.8
Regulated 5600K	15-30°	46,504	4,662	3,764	114.1	40.9

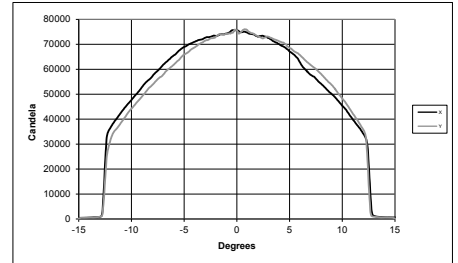
Metric conversions: For meters, multiply feet by 0.3048
For lux, multiply footcandles by 10.76



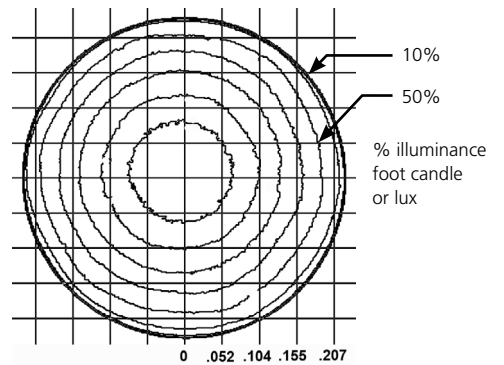
Throw Distance (d)	10'	15'	20'	30'	282.0'
	3.0m	4.6m	6.1m	9.1m	86.0m
Field Diameter	4.5'	6.7'	9.0'	13.5'	-
	1.4m	2.1m	2.7m	4.1m	-
Illuminance (fc)	795	353	199	88.4	1
Illuminance (lux)	8,560	3,805	2,140	951	10.76

For field diameter at any distance, multiply distance by 0.449
For beam diameter at any distance, multiply by 0.405

Candela Plot



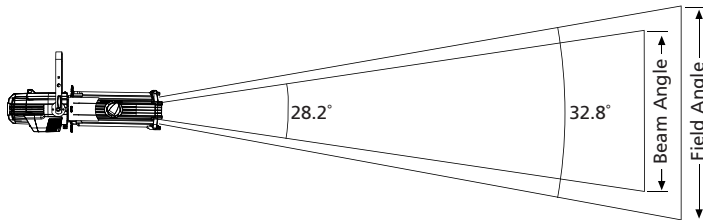
Iso-Illuminance Diagram (Flat Surface Distribution)



Source Four LED Series 2 Tungsten HD 15-30° Wide

Mode	Degree	Candela	Field Lumens	Beam Lumens	Power Consumption	Efficacy (lpw)
Boost Full - Cold	15-30°	53,003	8,559	6,382	208	41.1
Regulated Full	15-30°	46,996	7,614	5,750	188.8	40.3
Regulated 3200K	15-30°	45,369	7,351	5,582	180.3	40.8
Regulated 5600K	15-30°	27,481	4,438	3,347	114.1	38.9

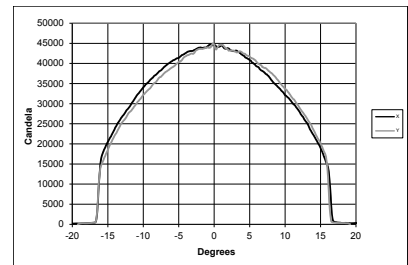
Metric conversions: For meters, multiply feet by 0.3048
For lux, multiply footcandles by 10.76



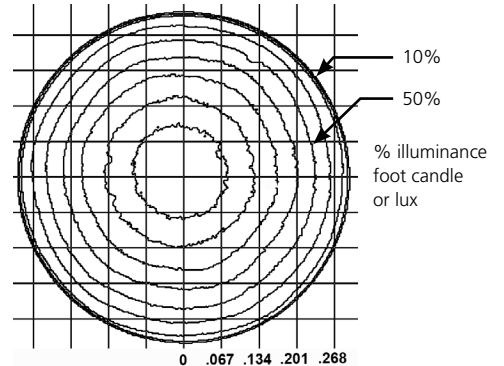
Throw Distance (d)	10'	15'	20'	30'	216.8'
	3.0m	4.6m	6.1m	9.1m	66.1m
Field Diameter	5.9'	8.8'	11.8'	17.7'	-
	1.8m	2.7m	3.6m	5.4m	-
Illuminance (fc)	470	209	117	52.2	1
Illuminance (lux)	5,059	2,248	1,265	562	10.76

For field diameter at any distance, multiply distance by 0.589
For beam diameter at any distance, multiply by 0.502

Candela Plot



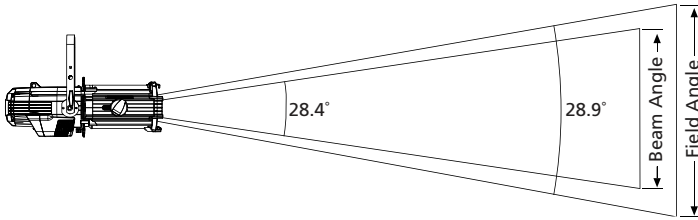
Iso-Illuminance Diagram (Flat Surface Distribution)



Source Four LED Series 2 Tungsten HD 25-50° Narrow

Mode	Degree	Candela	Field Lumens	Beam Lumens	Power Consumption	Efficacy (lpw)
Boost Full - Cold	25-50°	68,782	10,471	9,952	208	50.3
Regulated Full	25-50°	60,987	9,314	8,966	188.8	49.3
Regulated 3200K	25-50°	58,875	8,993	8,704	180.3	49.9
Regulated 5600K	25-50°	35,662	5,430	5,220	114.1	47.6

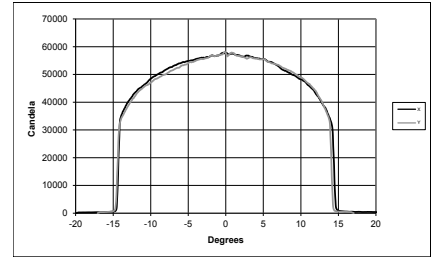
Metric conversions: For meters, multiply feet by 0.3048
For lux, multiply footcandles by 10.76



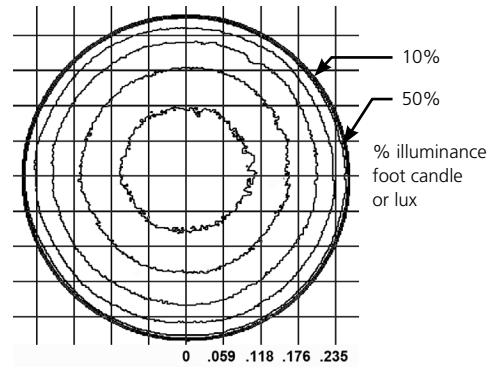
Throw Distance (d)	10'	15'	20'	30'	247.0
	3.0m	4.6m	6.1m	9.1m	
Field Diameter	5.2'	7.7'	10.3'	15.5'	-
	1.6m	2.4m	3.1m	4.7m	
Illuminance (fc)	610	271	152	67.8	1
Illuminance (lux)	6,565	2,918	1,641	729	10.76

For field diameter at any distance, multiply distance by 0.515
For beam diameter at any distance, multiply by 0.506

Candela Plot



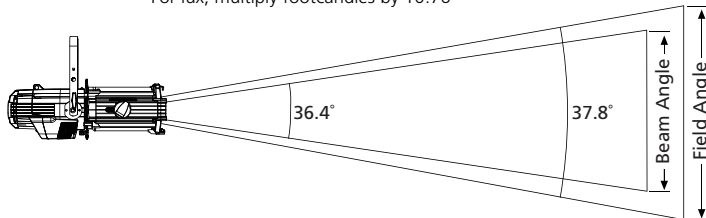
Iso-Illuminance Diagram (Flat Surface Distribution)



Source Four LED Series 2 Tungsten HD 25-50° Mid

Mode	Degree	Candela	Field Lumens	Beam Lumens	Power Consumption	Efficacy (lpw)
Boost Full - Cold	25-50°	45,039	10,999	9,470	208	52.9
Regulated Full	25-50°	39,934	9,784	8,532	188.8	51.8
Regulated 3200K	25-50°	38,551	9,447	8,283	180.3	52.4
Regulated 5600K	25-50°	23,352	5,704	4,967	114.1	50.0

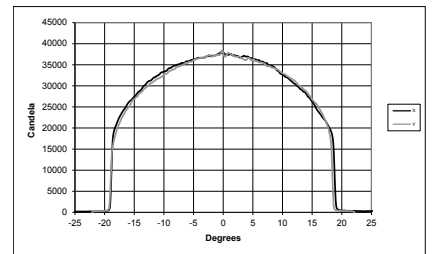
Metric conversions: For meters, multiply feet by 0.3048
For lux, multiply footcandles by 10.76



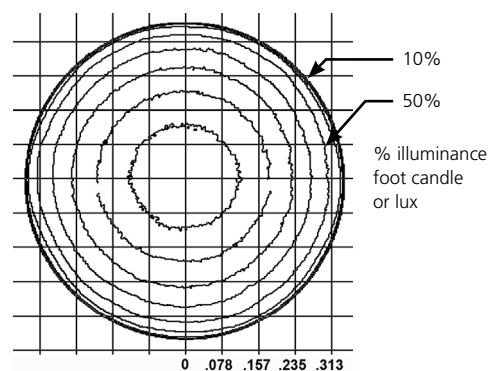
Throw Distance (d)	10'	15'	20'	30'	199.8'
	3.0m	4.6m	6.1m	9.1m	60.9m
Field Diameter	6.8'	10.3'	13.7'	20.5'	-
	2.1m	3.1m	4.2m	6.3m	
Illuminance (fc)	399	177	100	44.4	1
Illuminance (lux)	4,298	1,910	1,075	478	10.76

For field diameter at any distance, multiply distance by 0.685
For beam diameter at any distance, multiply by 0.658

Candela Plot



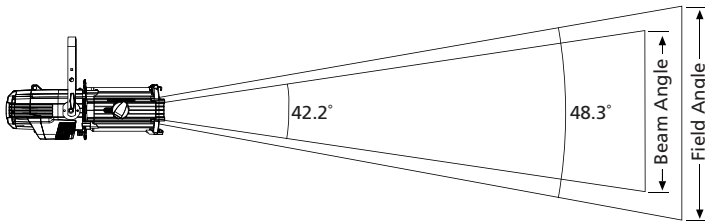
Iso-Illuminance Diagram (Flat Surface Distribution)



Source Four LED Series 2 Tungsten HD 25-50° Wide

Mode	Degree	Candela	Field Lumens	Beam Lumens	Power Consumption	Efficacy (lpw)
Boost Full - Cold	25-50°	31,429	11,019	7,707	208	53.0
Regulated Full	25-50°	27,867	9,803	6,944	188.8	51.9
Regulated 3200K	25-50°	26,902	9,465	6,741	180.3	52.5
Regulated 5600K	25-50°	16,295	5,714	4,043	114.1	50.1

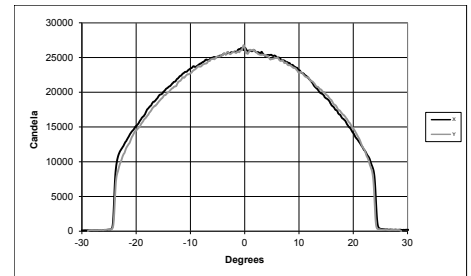
Metric conversions: For meters, multiply feet by 0.3048
 For lux, multiply footcandles by 10.76



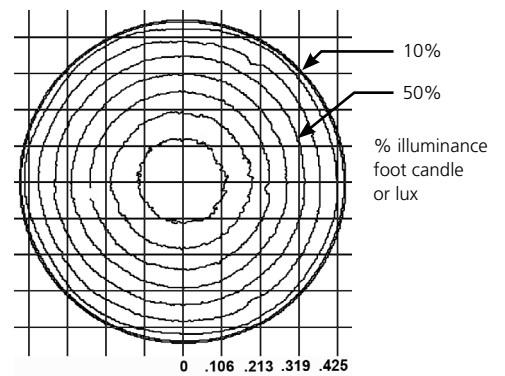
Throw Distance (d)	10'	15'	20'	30'	166.9'
	3.0m	4.6m	6.1m	9.1m	50.9m
Field Diameter	9.0'	13.5'	17.9'	26.9'	-
	2.7m	4.1m	5.5m	8.2m	-
Illuminance (fc)	279	124	70	31.0	1
Illuminance (lux)	3,000	1,333	750	333	10.76

For field diameter at any distance, multiply distance by 0.897
 For beam diameter at any distance, multiply by 0.772

Candela Plot



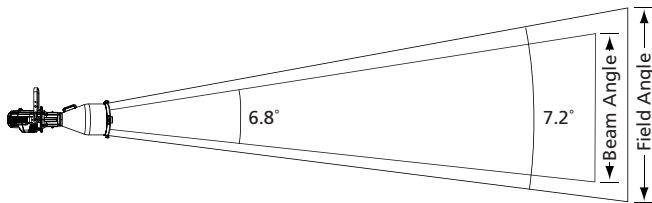
Iso-Illuminance Diagram (Flat Surface Distribution)



Source Four LED Lustr+ 5°

Mode	Degree	Candela	Field Lumens	Beam Lumens	Power Consumption	Efficacy (lpw)
Boost - Cold	5°	328,344	2,799	2,669	128.9	21.7
Regulated - Cold	5°	301,288	2,568	2,449	119.1	21.6
Regulated 3200K	5°	224,731	1,916	1,827	73	26.2
Regulated 5600K	5°	186,859	1,593	1,519	66.8	23.8

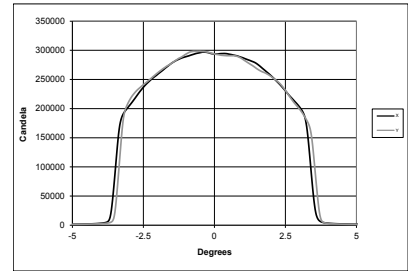
Metric conversions: For meters, multiply feet by 0.3048
For lux, multiply foot-candles by 10.76



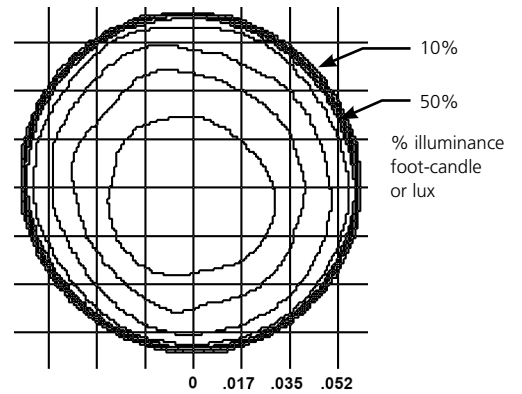
Throw Distance (d)	10'	15'	20'	30'	548.9'
	3.0m	4.6m	6.1m	9.1m	167.3m
Field Diameter	1.3'	1.9'	2.5'	3.8'	-
	0.4m	0.6m	0.8m	1.2m	-
Illuminance (fc)	3,013	1,339	753	334.8	1
Illuminance (lux)	32,430	14,414	8,108	3,603	10.76

For field diameter at any distance, multiply distance by 0.126
For beam diameter at any distance, multiply by 0.119

Candela Plot



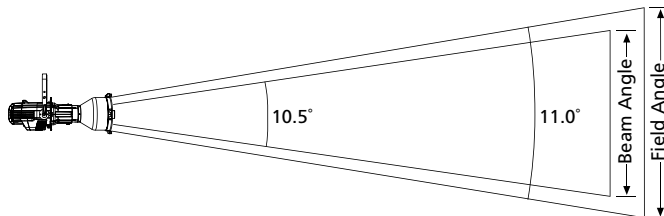
Iso-Illuminance Diagram (Flat Surface Distribution)



Source Four LED Lustr+ 10°

Mode	Degree	Candela	Field Lumens	Beam Lumens	Power Consumption	Efficacy (lpw)
Boost - Cold	10°	176,216	3,499	3,336	128.9	27.1
Regulated - Cold	10°	161,695	3,210	3,061	119.1	27.0
Regulated 3200K	10°	120,609	2,395	2,283	73	32.8
Regulated 5600K	10°	100,283	1,991	1,899	66.8	29.8

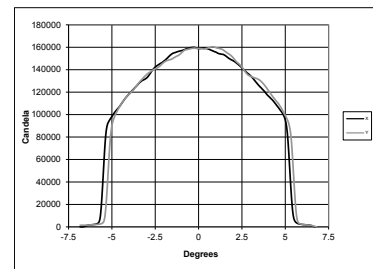
Metric conversions: For meters, multiply feet by 0.3048
For lux, multiply foot-candles by 10.76



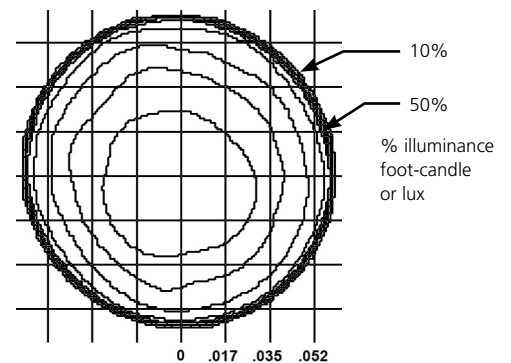
Throw Distance (d)	10'	15'	20'	30'	402.1'
	3.0m	4.6m	6.1m	9.1m	122.6m
Field Diameter	1.9'	2.9'	3.9'	5.8'	-
	0.6m	0.9m	1.2m	1.8m	-
Illuminance (fc)	1,617	719	404	179.7	1
Illuminance (lux)	17,405	7,735	4,351	1,934	10.76

For field diameter at any distance, multiply distance by 0.193
For beam diameter at any distance, multiply by 0.184

Candela Plot



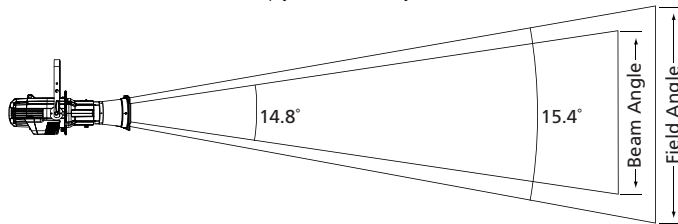
Iso-Illuminance Diagram (Flat Surface Distribution)



Source Four LED Lustr+ 14°

Mode	Degree	Candela	Field Lumens	Beam Lumens	Power Consumption	Efficacy (lpw)
Boost - Cold	14°	93,179	3,728	3,622	128.9	28.9
Regulated - Cold	14°	85,501	3,421	3,324	119.1	28.7
Regulated 3200K	14°	63,775	2,552	2,479	73	35.0
Regulated 5600K	14°	53,028	2,122	2,061	66.8	31.8

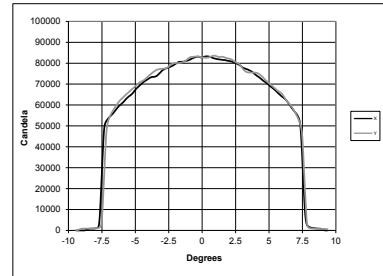
Metric conversions: For meters, multiply feet by 0.3048
For lux, multiply footcandles by 10.76



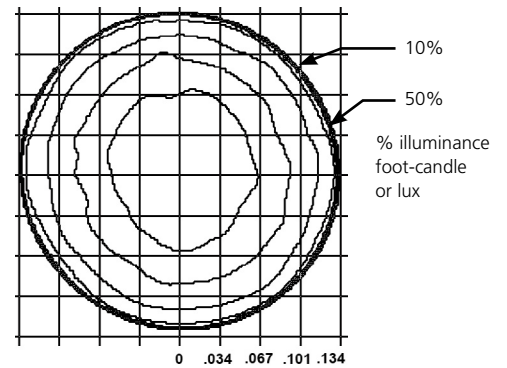
Throw Distance (d)	10'	15'	20'	30'	292.4'
	3.0m	4.6m	6.1m	9.1m	89.1m
Field Diameter	2.7'	4.1'	5.4'	8.1'	-
	0.8m	01.2m	01.6m	2.5m	-
Illuminance (fc)	855	380	214	95.0	1
Illuminance (lux)	9,203	4,090	2,301	1,023	10.76

For field diameter at any distance, multiply distance by 0.270
For beam diameter at any distance, multiply by 0.260

Candela Plot



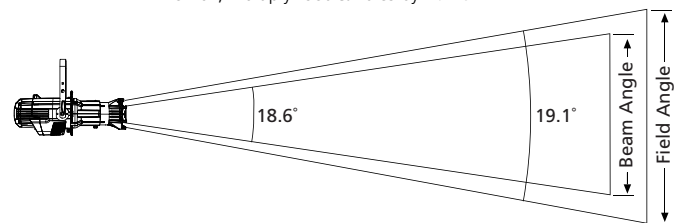
Iso-Illuminance Diagram (Flat Surface Distribution)



Source Four LED Lustr+ 19° EDLT

Mode	Degree	Candela	Field Lumens	Beam Lumens	Power Consumption	Efficacy (lpw)
Boost - Cold	19°	57,809	3,668	3,527	128.9	28.5
Regulated - Cold	19°	53,045	3,365	3,236	119.1	28.3
Regulated 3200K	19°	39,567	2,510	2,414	73	34.4
Regulated 5600K	19°	32,899	2,087	2,007	66.8	31.2

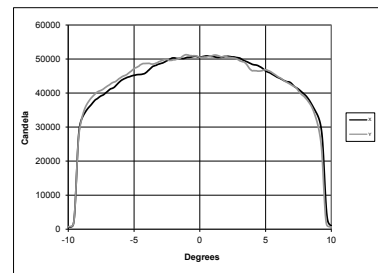
Metric conversions: For meters, multiply feet by 0.3048
For lux, multiply foot-candles by 10.76



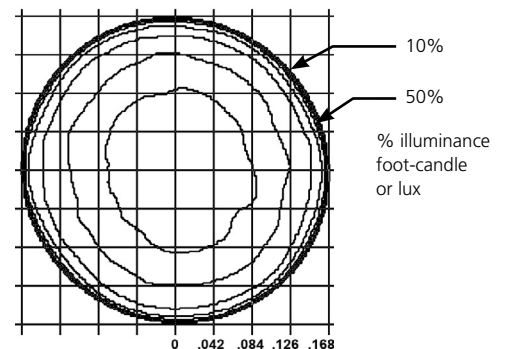
Throw Distance (d)	10'	15'	20'	30'	230.3'
	3.0m	4.6m	6.1m	9.1m	70.2m
Field Diameter	3.4'	5.0'	6.7'	10.1'	-
	1.0m	1.5m	2.1m	3.1m	-
Illuminance (fc)	530	236	133	58.9	1
Illuminance (lux)	5,710	2,538	1,427	634	10.76

For field diameter at any distance, multiply distance by 0.336
For beam diameter at any distance, multiply by 0.328

Candela Plot



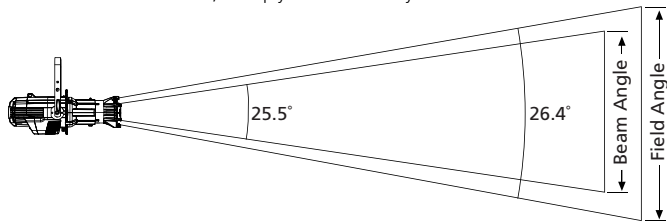
Iso-Illuminance Diagram (Flat Surface Distribution)



Source Four LED Lustr+ 26° EDLT

Mode	Degree	Candela	Field Lumens	Beam Lumens	Power Consumption	Efficacy (lpw)
Boost - Cold	26°	36,764	4,452	4,123	128.9	34.5
Regulated - Cold	26°	33,735	4,085	3,783	119.1	34.3
Regulated 3200K	26°	25,163	3,047	2,822	73	41.7
Regulated 5600K	26°	20,922	2,534	2,346	66.8	37.9

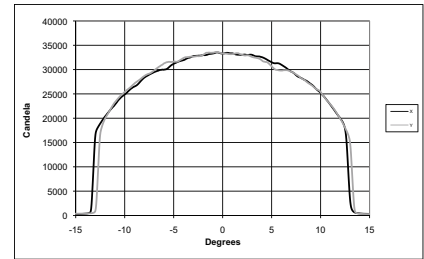
Metric conversions: For meters, multiply feet by 0.3048
For lux, multiply foot-candles by 10.76



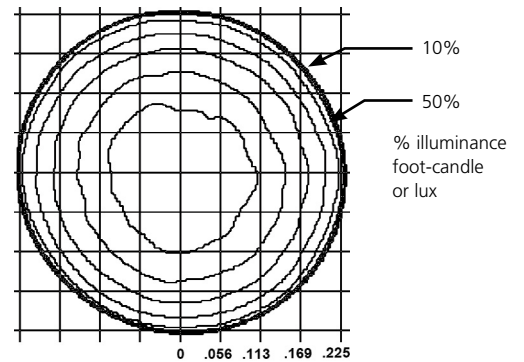
Throw Distance (d)	10'	15'	20'	30'	183.7'
	3.0m	4.6m	6.1m	9.1m	56.0m
Field Diameter	4.7'	7.0'	9.4'	14.1'	-
	1.4m	2.1m	2.9m	4.3m	-
Illuminance (fc)	337	150	84	37.5	1
Illuminance (lux)	3,631	1,614	908	403	10.76

For field diameter at any distance, multiply distance by 0.469
For beam diameter at any distance, multiply by 0.453

Candela Plot



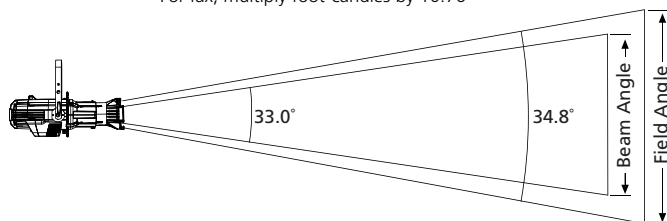
Iso-Illuminance Diagram (Flat Surface Distribution)



Source Four LED Lustr+ 36° EDLT

Mode	Degree	Candela	Field Lumens	Beam Lumens	Power Consumption	Efficacy (lpw)
Boost - Cold	36°	23,833	4,766	4,218	128.9	37.0
Regulated - Cold	36°	21,870	4,373	3,870	119.1	36.7
Regulated 3200K	36°	16,313	3,262	2,887	73	44.7
Regulated 5600K	36°	13,564	2,712	2,400	66.8	40.6

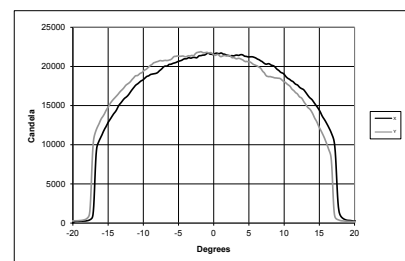
Metric conversions: For meters, multiply feet by 0.3048
For lux, multiply foot-candles by 10.76



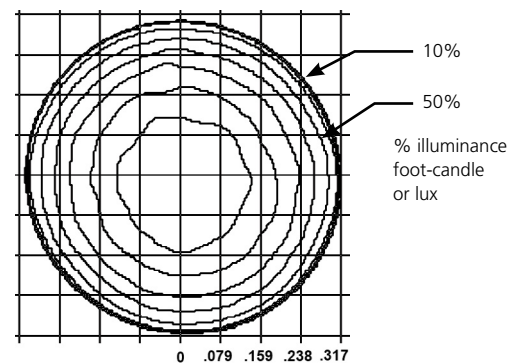
Throw Distance (d)	10'	15'	20'	30'	147.9'
	3.0m	4.6m	6.1m	9.1m	45.1m
Field Diameter	6.3'	9.4'	12.5'	18.8'	-
	1.9m	2.9m	3.8m	5.7m	-
Illuminance (fc)	219	97	55	24.3	1
Illuminance (lux)	2,354	1,046	589	262	10.76

For field diameter at any distance, multiply distance by 0.627
For beam diameter at any distance, multiply by 0.592

Candela Plot



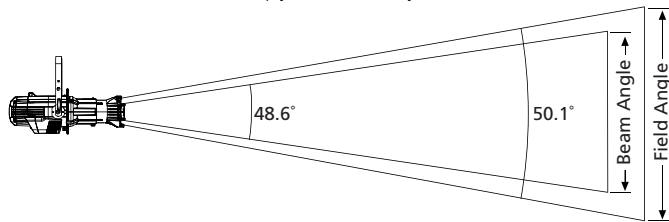
Iso-Illuminance Diagram (Flat Surface Distribution)



Source Four LED Lustr+ LED 50° LT

Mode	Degree	Candela	Field Lumens	Beam Lumens	Power Consumption	Efficacy (lpw)
Boost - Cold	50°	10,763	4,536	3,992	128.9	35.2
Regulated - Cold	50°	9,876	4,162	3,663	119.1	34.9
Regulated 3200K	50°	7,367	3,105	2,732	73	42.5
Regulated 5600K	50°	6,125	2,582	2,272	66.8	38.6

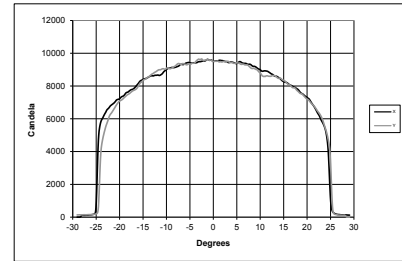
Metric conversions: For meters, multiply feet by 0.3048
For lux, multiply foot-candles by 10.76



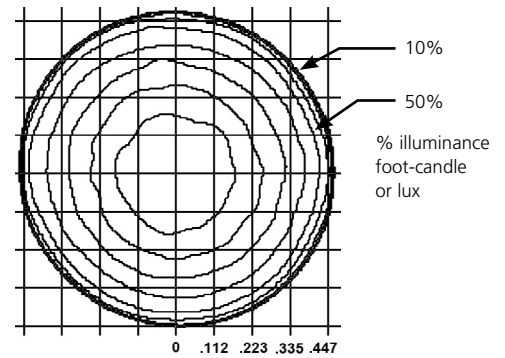
Throw Distance (d)	10'	15'	20'	30'	99.4'
	3.0m	4.6m	6.1m	9.1m	30.3m
Field Diameter	9.3'	14.0'	18.7'	28.0'	-
	2.8m	4.3m	5.7m	8.5m	-
Illuminance (fc)	99	44	25	11.0	1
Illuminance (lux)	1,063	472	266	118	10.76

For field diameter at any distance, multiply distance by 0.935
For beam diameter at any distance, multiply by 0.903

Candela Plot



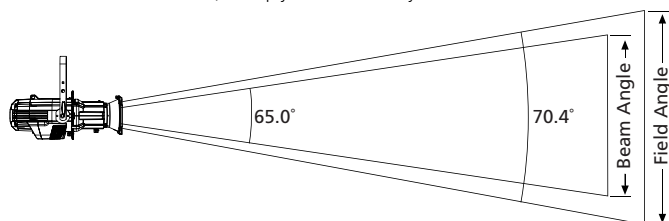
Iso-Illuminance Diagram (Flat Surface Distribution)



Source Four LED Lustr+ 70°

Mode	Degree	Candela	Field Lumens	Beam Lumens	Power Consumption	Efficacy (lpw)
Boost - Cold	70°	6,491	4,862	3,110	128.9	37.7
Regulated - Cold	70°	5,956	4,461	2,854	119.1	37.5
Regulated 3200K	70°	4,443	3,328	2,129	73	45.6
Regulated 5600K	70°	3,694	2,767	1,770	66.8	41.4

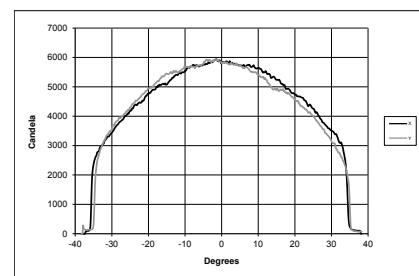
Metric conversions: For meters, multiply feet by 0.3048
For lux, multiply foot-candles by 10.76



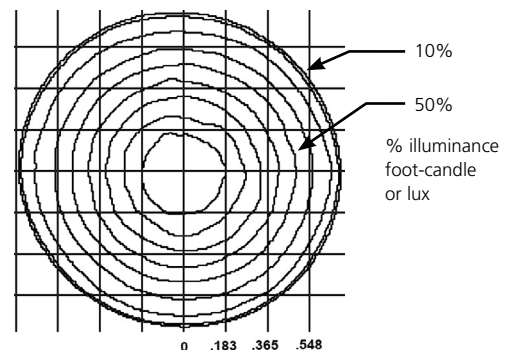
Throw Distance (d)	10'	15'	20'	30'	77.2'
	3.0m	4.6m	6.1m	9.1m	23.5m
Field Diameter	14.1'	21.2'	28.2'	42.3'	-
	4.3m	6.5m	8.6m	12.9m	-
Illuminance (fc)	60	26	15	6.6	1
Illuminance (lux)	641	285	160	71	10.76

For field diameter at any distance, multiply distance by 1.411
For beam diameter at any distance, multiply by 1.274

Candela Plot



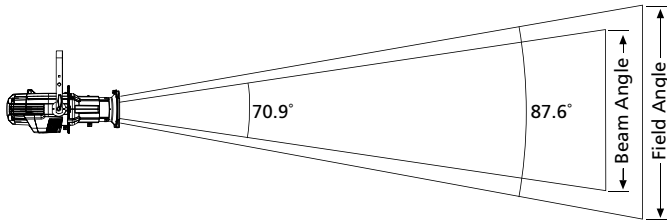
Iso-Illuminance Diagram (Flat Surface Distribution)



Source Four LED Lustr+ 90°

Mode	Degree	Candela	Field Lumens	Beam Lumens	Power Consumption	Efficacy (lpw)
Boost - Cold	90°	4,792	4,705	2,514	128.9	36.5
Regulated - Cold	90°	4,397	4,317	2,307	119.1	36.3
Regulated 3200K	90°	3,280	3,220	1,721	73	44.1
Regulated 5600K	90°	2,727	2,678	1,431	66.8	40.1

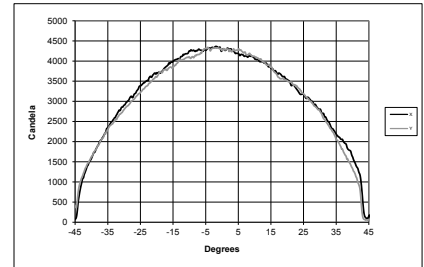
Metric conversions: For meters, multiply feet by 0.3048
For lux, multiply foot-candles by 10.76



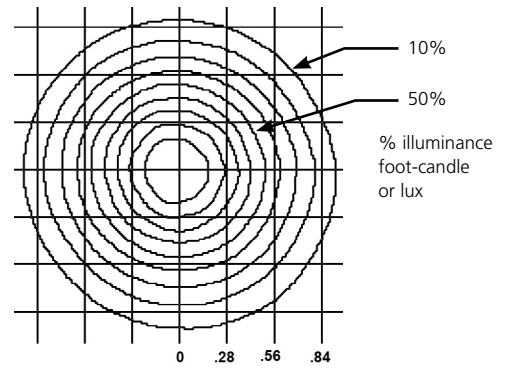
Throw Distance (d)	10'	15'	20'	30'	66.3'
	3.0m	4.6m	6.1m	9.1m	20.2m
Field Diameter	19.2'	28.8'	38.4'	57.5'	-
	5.8m	8.8m	11.7m	17.5m	-
Illuminance (fc)	44	20	11	4.9	1
Illuminance (lux)	473	210	118	53	10.76

For field diameter at any distance, multiply distance by 1.918
For beam diameter at any distance, multiply by 1.424

Candela Plot



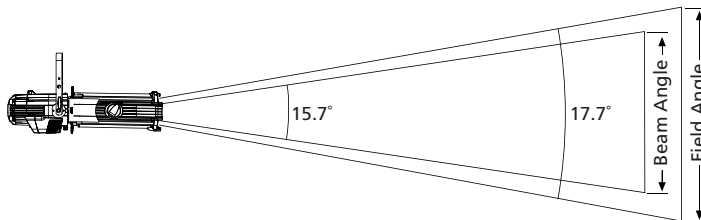
Iso-Illuminance Diagram (Flat Surface Distribution)



Source Four LED Lustr+ 15-30° Zoom Narrow

Mode	Degree	Candela	Field Lumens	Beam Lumens	Power Consumption	Efficacy (lpw)
Boost - Cold	15°	75,938	3,631	3,098	128.9	28.2
Regulated - Cold	15°	69,680	3,332	2,843	119.1	28.0
Regulated 3200K	15°	51,974	2,485	2,120	73	34.0
Regulated 5600K	15°	43,216	2,067	1,763	66.8	30.9

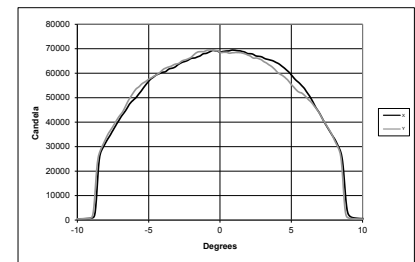
Metric conversions: For meters, multiply feet by 0.3048
For lux, multiply foot-candles by 10.76



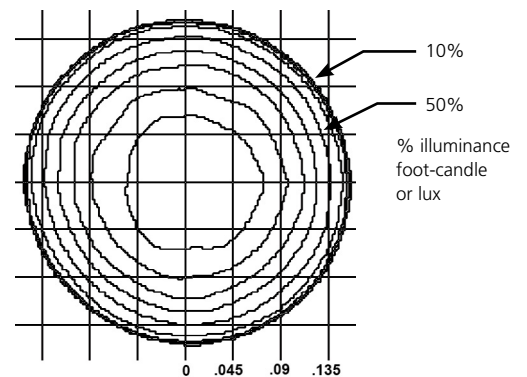
Throw Distance (d)	10'	15'	20'	30'	264.0'
	3.0m	4.6m	6.1m	9.1m	80.5m
Field Diameter	3.1'	4.7'	6.2'	9.3'	-
	0.9m	1.4m	1.9m	2.8m	-
Illuminance (fc)	697	310	174	77.4	1
Illuminance (lux)	7,500	3,333	1,875	833	10.76

For field diameter at any distance, multiply distance by 0.311
For beam diameter at any distance, multiply by 0.276

Candela Plot



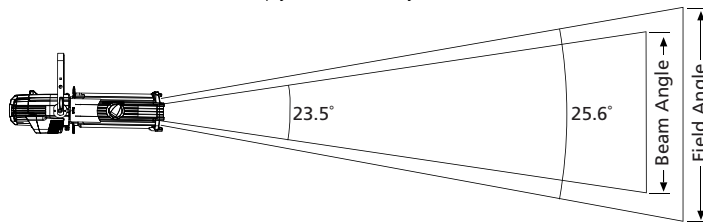
Iso-Illuminance Diagram (Flat Surface Distribution)



Source Four LED Lustr+ 15-30° Zoom Mid

Mode	Degree	Candela	Field Lumens	Beam Lumens	Power Consumption	Efficacy (lpw)
Boost - Cold	23°	39,553	4,042	3,444	128.9	31.4
Regulated - Cold	23°	36,294	3,709	3,160	119.1	31.1
Regulated 3200K	23°	27,072	2,766	2,357	73	37.9
Regulated 5600K	23°	22,510	2,300	1,960	66.8	34.4

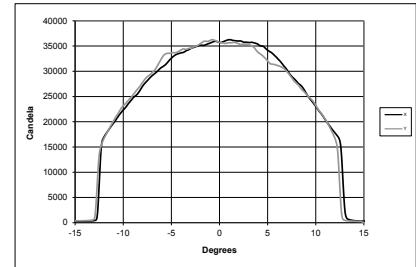
Metric conversions: For meters, multiply feet by 0.3048
For lux, multiply foot-candles by 10.76



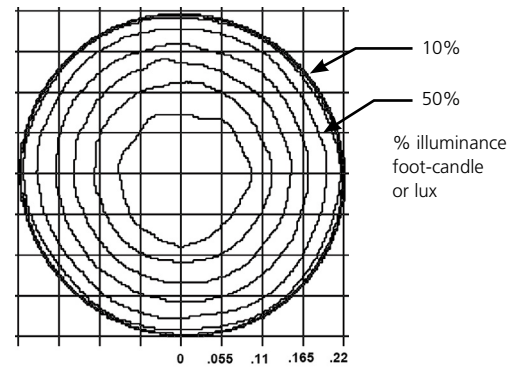
Throw Distance (d)	10'	15'	20'	30'	190.5'
	3.0m	4.6m	6.1m	9.1m	58.1
Field Diameter	4.5'	6.8'	9.1'	13.6'	-
	1.4m	2.1m	2.8m	4.2m	-
Illuminance (fc)	363	161	91	40.3	1
Illuminance (lux)	3,907	1,736	977	434	10.76

For field diameter at any distance, multiply distance by 0.454
For beam diameter at any distance, multiply by 0.416

Candela Plot



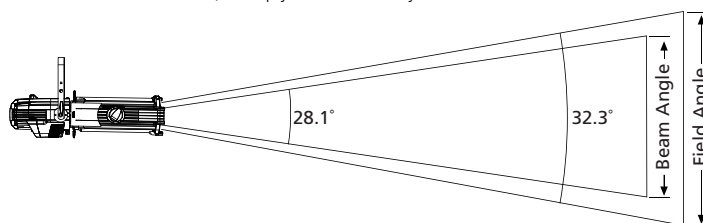
Iso-Illuminance Diagram (Flat Surface Distribution)



Source Four LED Lustr+ 15-30° Zoom Wide

Mode	Degree	Candela	Field Lumens	Beam Lumens	Power Consumption	Efficacy (lpw)
Boost - Cold	30°	24,341	3,704	2,895	128.9	28.7
Regulated - Cold	30°	22,335	3,399	2,657	119.1	28.5
Regulated 3200K	30°	16,660	2,535	1,982	73	34.7
Regulated 5600K	30°	13,852	2,108	1,648	66.8	31.6

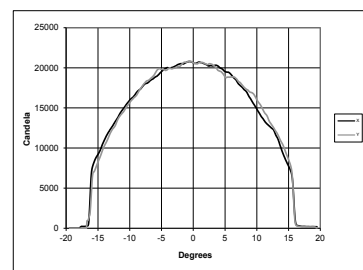
Metric conversions: For meters, multiply feet by 0.3048
For lux, multiply foot-candles by 10.76



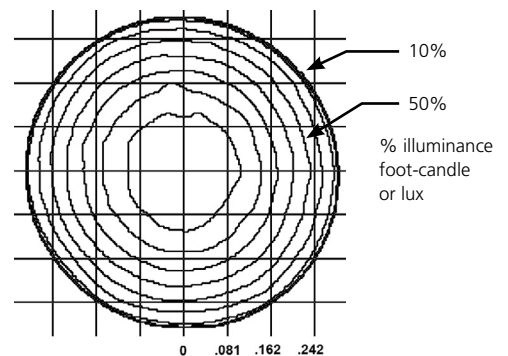
Throw Distance (d)	10'	15'	20'	30'	149.4'
	3.0m	4.6m	6.1m	9.1m	45.6m
Field Diameter	5.8'	8.7'	11.6'	17.4'	-
	1.8m	2.6m	3.5m	5.3m	-
Illuminance (fc)	223	99	56	24.8	1
Illuminance (lux)	2,404	1,068	601	267	10.76

For field diameter at any distance, multiply distance by 0.579
For beam diameter at any distance, multiply by 0.501

Candela Plot



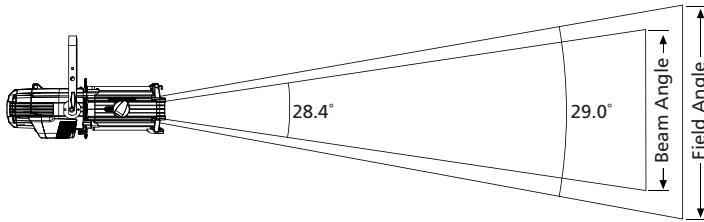
Iso-Illuminance Diagram (Flat Surface Distribution)



Source Four LED Lustr+ 25-50° Zoom Narrow

Mode	Degree	Candela	Field Lumens	Beam Lumens	Power Consumption	Efficacy (lpw)
Boost - Cold	25°	29,158	4,428	4,290	128.9	34.3
Regulated - Cold	25°	26,755	4,063	3,936	119.1	34.1
Regulated 3200K	25°	19,957	3,030	2,936	73	41.5
Regulated 5600K	25°	16,594	2,520	2,441	66.8	37.7

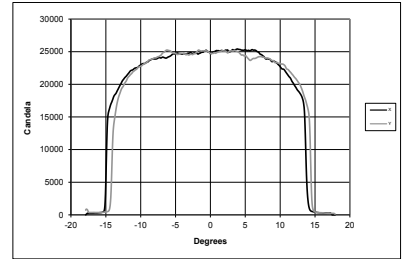
Metric conversions: For meters, multiply feet by 0.3048
For lux, multiply foot-candles by 10.76



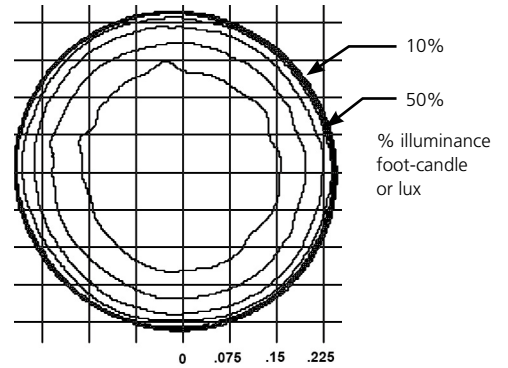
Throw Distance (d)	10'	15'	20'	30'	163.6'
	3.0m	4.6m	6.1m	9.1m	49.9m
Field Diameter	5.2'	7.8'	10.3'	15.5'	-
	1.6m	2.4m	3.2m	4.7m	-
Illuminance (fc)	268	119	67	29.7	1
Illuminance (lux)	2,880	1,280	720	320	10.76

For field diameter at any distance, multiply distance by 0.517
For beam diameter at any distance, multiply by 0.506

Candela Plot



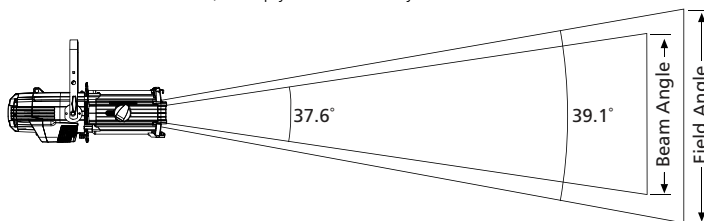
Iso-Illuminance Diagram (Flat Surface Distribution)



Source Four LED Lustr+ 25-50° Zoom Mid

Mode	Degree	Candela	Field Lumens	Beam Lumens	Power Consumption	Efficacy (lpw)
Boost - Cold	37°	18,002	4,693	4,254	128.9	36.4
Regulated - Cold	37°	16,519	4,306	3,903	119.1	36.2
Regulated 3200K	37°	12,321	3,212	2,911	73	44.0
Regulated 5600K	37°	10,245	2,671	2,421	66.8	40.0

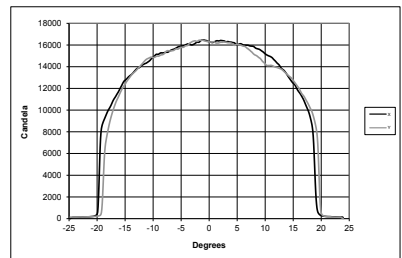
Metric conversions: For meters, multiply feet by 0.3048
For lux, multiply foot-candles by 10.76



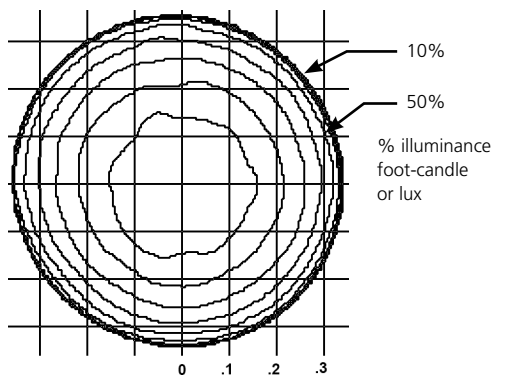
Throw Distance (d)	10'	15'	20'	30'	128.5'
	3.0m	4.6m	6.1m	9.1m	39.2m
Field Diameter	7.1'	10.7'	14.2'	21.3'	-
	2.2m	3.2m	4.3m	6.5m	-
Illuminance (fc)	165	73	41	18.4	1
Illuminance (lux)	1,778	790	445	198	10.76

For field diameter at any distance, multiply distance by 0.710
For beam diameter at any distance, multiply by 0.681

Candela Plot



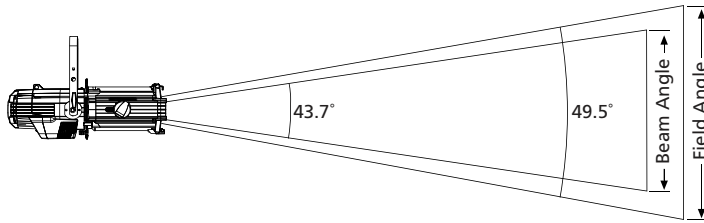
Iso-Illuminance Diagram (Flat Surface Distribution)



Source Four LED Lustr+ 25-50° Zoom Wide

Mode	Degree	Candela	Field Lumens	Beam Lumens	Power Consumption	Efficacy (lpw)
Boost - Cold	50°	12,424	4,560	3,432	128.9	35.4
Regulated - Cold	50°	11,400	4,185	3,149	119.1	35.1
Regulated 3200K	50°	8,503	3,121	2,349	73	42.8
Regulated 5600K	50°	7,070	2,595	1,953	66.8	38.9

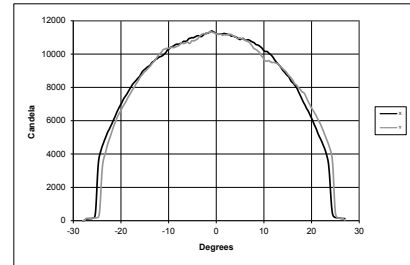
Metric conversions: For meters, multiply feet by 0.3048
 For lux, multiply foot-candles by 10.76



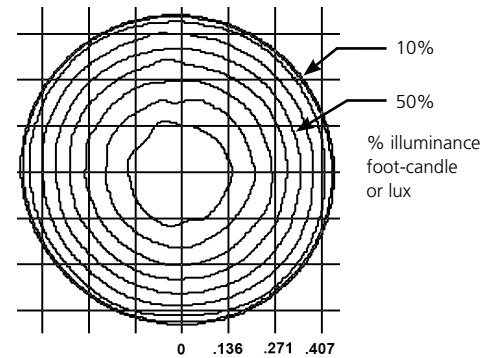
Throw Distance (d)	10'	15'	20'	30'	106.8'
	3.0m	4.6m	6.1m	9.1m	32.5m
Field Diameter	9.2'	13.8'	18.4'	27.7'	-
	2.8m	4.2m	5.6m	8.4m	-
Illuminance (fc)	114	51	29	12.7	1
Illuminance (lux)	1,227	545	307	136	10.76

For field diameter at any distance, multiply distance by 0.922
 For beam diameter at any distance, multiply by 0.802

Candela Plot



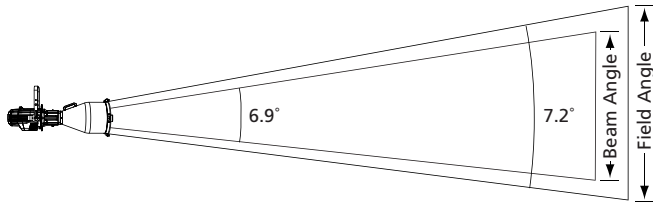
Iso-Illuminance Diagram (Flat Surface Distribution)



Source Four LED Daylight 5°

Mode	Degree	Candela	Field Lumens	Beam Lumens	Power Consumption	Efficacy (lpw)
Boost - Cold	5°	440,303	4,149	4,046	151	27.5
Regulated	5°	414,247	3,904	3,807	140	27.9

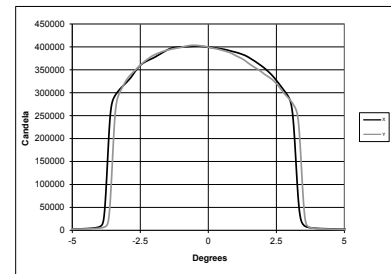
Metric conversions: For meters, multiply feet by 0.3048
For lux, multiply foot-candles by 10.76



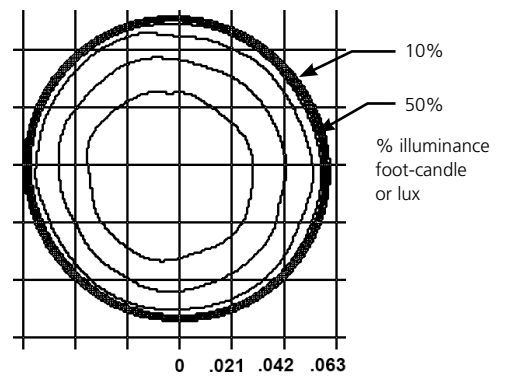
Throw Distance (d)	10'	15'	20'	30'	643.6'
	3.0m	4.6m	6.1m	9.1m	196.2M
Field Diameter	1.3'	1.9'	2.5'	3.8'	-
	0.4m	0.6m	0.8m	1.2m	-
Illuminance (fc)	4,142	1,841	1,036	460.3	1
Illuminance (lux)	44,589	19,817	11,147	4,954	10.76

For field diameter at any distance, multiply distance by 0.126
For beam diameter at any distance, multiply by 0.121

Candela Plot



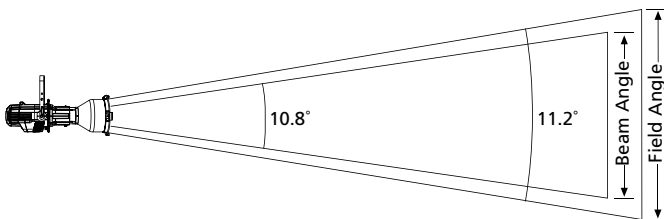
Iso-Illuminance Diagram (Flat Surface Distribution)



Source Four LED Daylight 10°

Mode	Degree	Candela	Field Lumens	Beam Lumens	Power Consumption	Efficacy (lpw)
Boost - Cold	10°	244,750	5,457	5,328	146.1	37.4
Regulated	10°	230,266	5,134	5,013	138.3	37.1

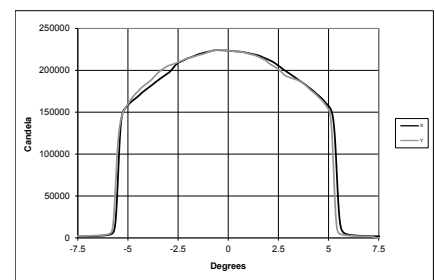
Metric conversions: For meters, multiply feet by 0.3048
For lux, multiply foot-candles by 10.76



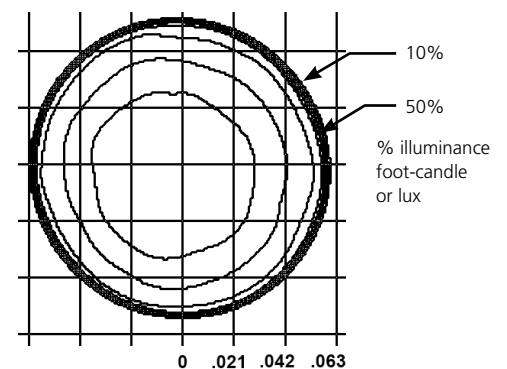
Throw Distance (d)	10'	15'	20'	30'	479.9'
	3.0m	4.6m	6.1m	9.1m	146.3m
Field Diameter	2.0'	2.9'	3.9'	5.9'	-
	0.6m	0.9m	1.2m	1.8m	-
Illuminance (fc)	2,303	1,023	576	255.9	1
Illuminance (lux)	24,786	11,016	6,196	2,754	10.76

For field diameter at any distance, multiply distance by 0.196
For beam diameter at any distance, multiply by 0.189

Candela Plot



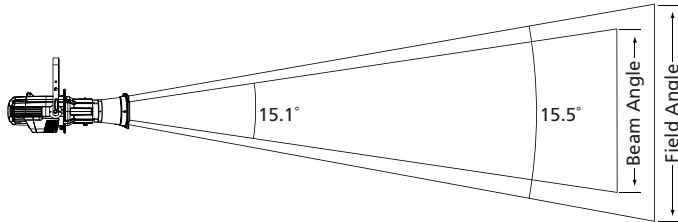
Iso-Illuminance Diagram (Flat Surface Distribution)



Source Four LED Daylight 14°

Mode	Degree	Candela	Field Lumens	Beam Lumens	Power Consumption	Efficacy (lpw)
Boost - Cold	14°	125,450	5,729	5,646	146.1	39.2
Regulated	14°	118,026	5,390	5,312	138.3	39.0

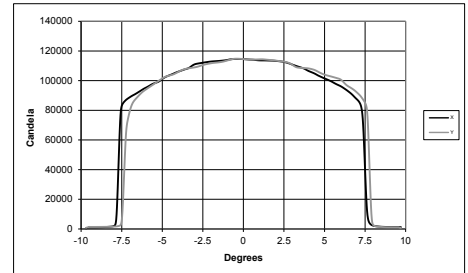
Metric conversions: For meters, multiply feet by 0.3048
For lux, multiply foot-candles by 10.76



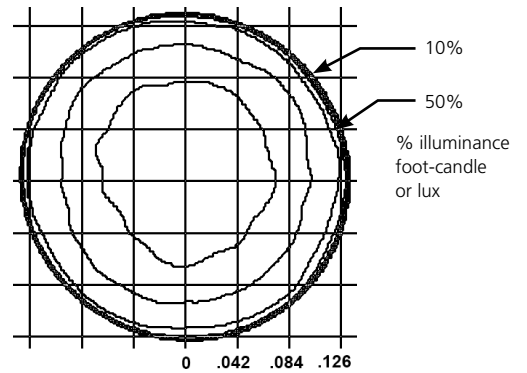
Throw Distance (d)	10'	15'	20'	30'	343.5'
	3.0m	4.6m	6.1m	9.1m	104.7m
Field Diameter	2.7'	4.1'	5.4'	8.2'	-
	0.8m	1.2m	1.7m	2.5m	-
Illuminance (fc)	1,180	525	295	131.1	1
Illuminance (lux)	12,704	5,646	3,176	1,412	10.76

For field diameter at any distance, multiply distance by 0.272
For beam diameter at any distance, multiply by 0.265

Candela Plot



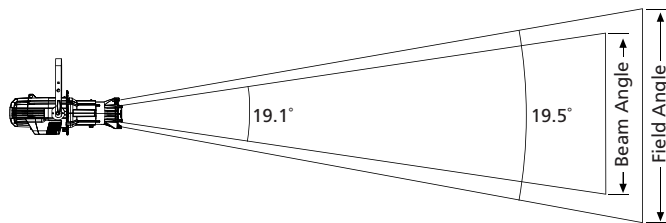
Iso-Illuminance Diagram (Flat Surface Distribution)



Source Four LED Daylight 19° EDLT

Mode	Degree	Candela	Field Lumens	Beam Lumens	Power Consumption	Efficacy (lpw)
Boost - Cold	19°	77,976	5,717	5,587	146.1	39.1
Regulated	19°	73,361	5,378	5,257	138.3	38.9

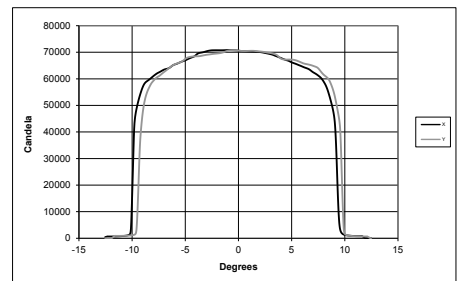
Metric conversions: For meters, multiply feet by 0.3048
For lux, multiply foot-candles by 10.76



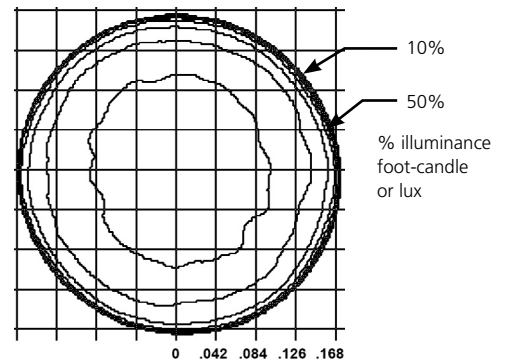
Throw Distance (d)	10'	15'	20'	30'	270.9'
	3.0m	4.6m	6.1m	9.1m	82.6m
Field Diameter	3.4'	5.2'	6.9'	10.3'	-
	1.0m	1.2m	2.1m	3.1m	-
Illuminance (fc)	734	326	183	81.5	1
Illuminance (lux)	7,897	3,510	1,974	877	10.76

For field diameter at any distance, multiply distance by 0.344
For beam diameter at any distance, multiply by 0.336

Candela Plot



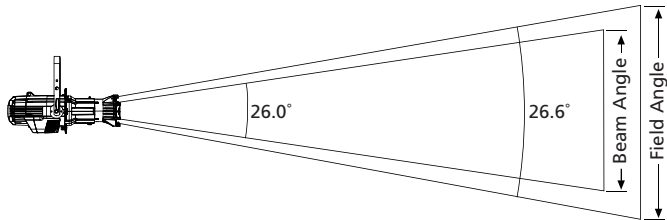
Iso-Illuminance Diagram (Flat Surface Distribution)



Source Four LED Daylight 26° EDLT

Mode	Degree	Candela	Field Lumens	Beam Lumens	Power Consumption	Efficacy (lpw)
Boost - Cold	26°	57,559	7,237	6,916	146.1	49.5
Regulated	26°	54,153	6,809	6,507	138.3	49.2

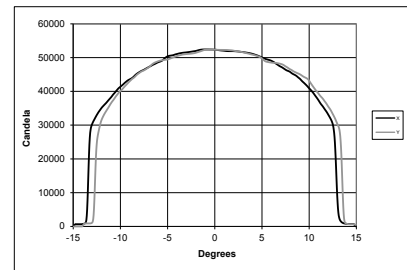
Metric conversions: For meters, multiply feet by 0.3048
For lux, multiply foot-candles by 10.76



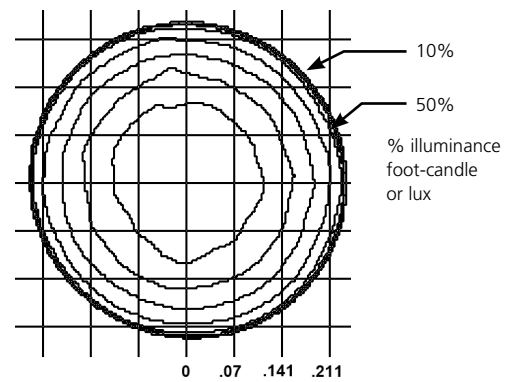
Throw Distance (d)	10'	15'	20'	30'	232.7'
	3.0m	4.6m	6.1m	9.1m	70.9m
Field Diameter	4.7'	7.1'	9.5'	14.2'	-
	1.4m	2.2m	2.9m	4.3m	-
Illuminance (fc)	542	241	135	60.2	1
Illuminance (lux)	5,829	2,591	1,457	648	10.76

For field diameter at any distance, multiply distance by 0.473
For beam diameter at any distance, multiply by 0.462

Candela Plot



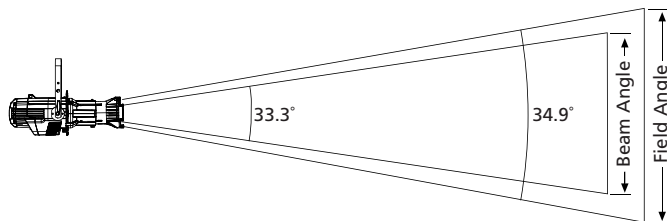
Iso-Illuminance Diagram (Flat Surface Distribution)



Source Four LED Daylight 36° EDLT

Mode	Degree	Candela	Field Lumens	Beam Lumens	Power Consumption	Efficacy (lpw)
Boost - Cold	36°	33,084	6,872	6,105	146.1	47.0
Regulated	36°	31,126	6,465	5,743	138.3	46.7

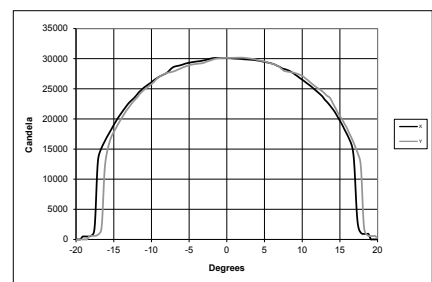
Metric conversions: For meters, multiply feet by 0.3048
For lux, multiply foot-candles by 10.76



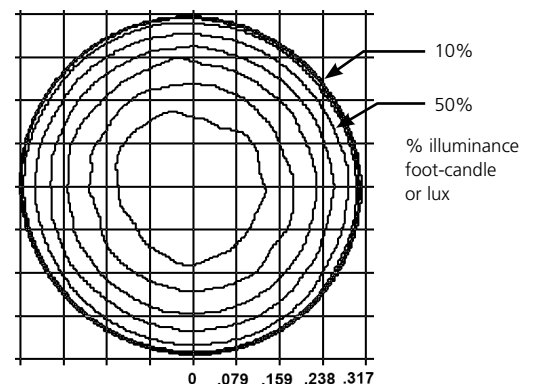
Throw Distance (d)	10'	15'	20'	30'	176.4'
	3.0m	4.6m	6.1m	9.1m	53.8m
Field Diameter	6.3'	9.4'	12.6'	18.9'	-
	1.9m	2.9m	3.8m	5.7m	-
Illuminance (fc)	311	138	78	34.6	1
Illuminance (lux)	3,350	1,489	838	372	10.76

For field diameter at any distance, multiply distance by 0.629
For beam diameter at any distance, multiply by 0.598

Candela Plot



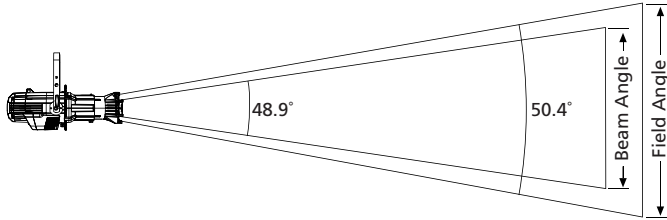
Iso-Illuminance Diagram (Flat Surface Distribution)



Source Four LED Daylight LED 50° LT

Mode	Degree	Candela	Field Lumens	Beam Lumens	Power Consumption	Efficacy (lpw)
Boost - Cold	50°	16,850	7,532	6,728	146.1	51.6
Regulated	50°	15,852	7,086	6,330	138.3	51.2

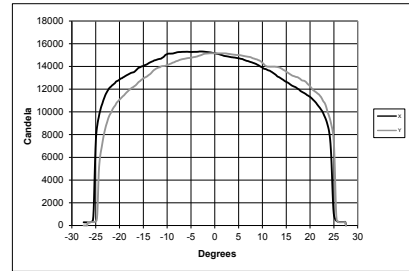
Metric conversions: For meters, multiply feet by 0.3048
For lux, multiply foot-candles by 10.76



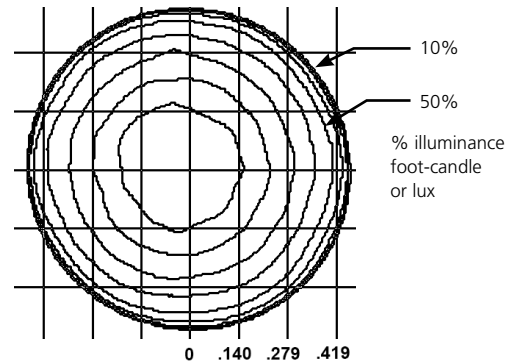
Throw Distance (d)	10'	15'	20'	30'	125.9'
	3.0m	4.6m	6.1m	9.1m	38.4m
Field Diameter	9.4'	14.1'	18.8'	28.2'	-
	2.9m	4.3m	5.7m	8.6m	-
Illuminance (fc)	159	70	40	17.6	1
Illuminance (lux)	1,706	758	427	190	10.76

For field diameter at any distance, multiply distance by 0.941
For beam diameter at any distance, multiply by 0.909

Candela Plot



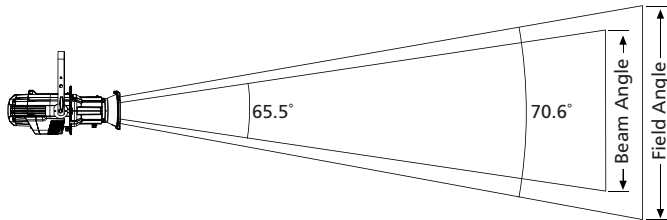
Iso-Illuminance Diagram (Flat Surface Distribution)



Source Four LED Daylight 70°

Mode	Degree	Candela	Field Lumens	Beam Lumens	Power Consumption	Efficacy (lpw)
Boost - Cold	70°	10,565	8,157	5,317	146.1	55.8
Regulated	70°	9,940	7,674	5,002	138.3	55.5

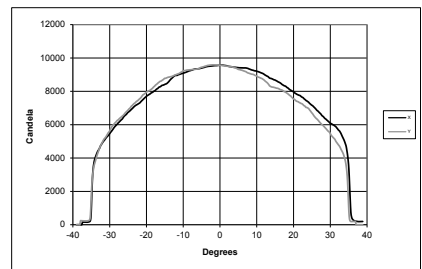
Metric conversions: For meters, multiply feet by 0.3048
For lux, multiply foot-candles by 10.76



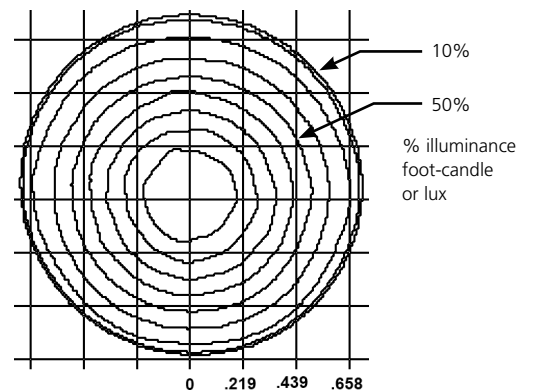
Throw Distance (d)	10'	15'	20'	30'	99.7'
	3.0m	4.6m	6.1m	9.1m	30.4m
Field Diameter	14.2'	21.2'	28.3'	42.5'	-
	4.3m	6.5m	8.6m	12.9m	-
Illuminance (fc)	99	44	25	11.0	1
Illuminance (lux)	1,070	476	267	119	10.76

For field diameter at any distance, multiply distance by 1.416
For beam diameter at any distance, multiply by 1.286

Candela Plot



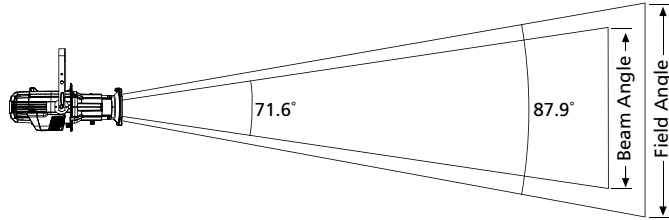
Iso-Illuminance Diagram (Flat Surface Distribution)



Source Four LED Daylight 90°

Mode	Degree	Candela	Field Lumens	Beam Lumens	Power Consumption	Efficacy (lpw)
Boost - Cold	90°	7,810	7,909	4,387	146.1	54.1
Regulated	90°	7,348	7,441	4,128	138.3	53.8

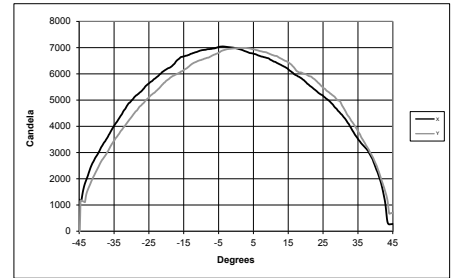
Metric conversions: For meters, multiply feet by 0.3048
For lux, multiply foot-candles by 10.76



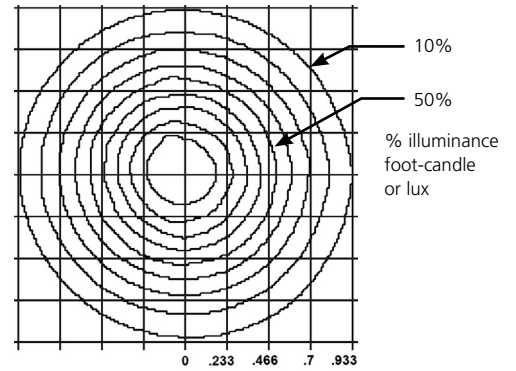
Throw Distance (d)	10'	15'	20'	30'	85.7'
	3.0m	4.6m	6.1m	9.1m	26.1m
Field Diameter	19.3'	28.9'	38.6'	57.8'	-
	5.9m	8.8m	11.8m	17.6m	-
Illuminance (fc)	73	33	18	8.2	1
Illuminance (lux)	791	352	198	88	10.76

For field diameter at any distance, multiply distance by 1.928
For beam diameter at any distance, multiply by 1.442

Candela Plot



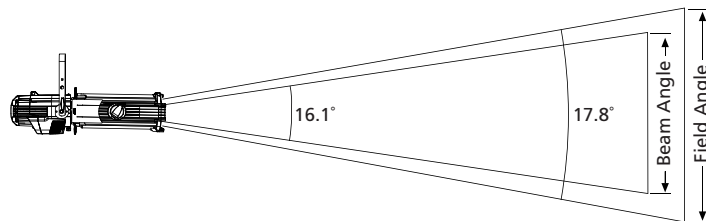
Iso-Illuminance Diagram (Flat Surface Distribution)



Source Four LED Daylight 15-30° Zoom Narrow

Mode	Degree	Candela	Field Lumens	Beam Lumens	Power Consumption	Efficacy (lpw)
Boost - Cold	15°	108,723	5,528	4,870	146.1	37.8
Regulated	15°	102,289	5,201	4,581	138.3	37.6

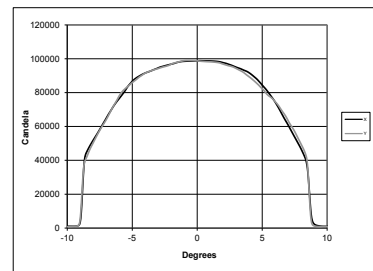
Metric conversions: For meters, multiply feet by 0.3048
For lux, multiply foot-candles by 10.76



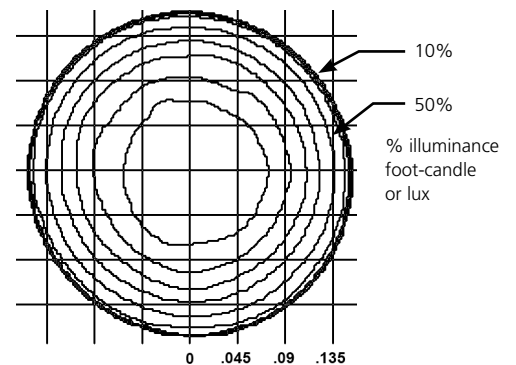
Throw Distance (d)	10'	15'	20'	30'	319.8'
	3.0m	4.6m	6.1m	9.1m	97.5m
Field Diameter	3.1'	4.7'	6.3'	9.4'	-
	1.0m	1.4m	1.9m	2.9m	-
Illuminance (fc)	1,023	455	256	113.7	1
Illuminance (lux)	11,010	4,893	2,753	1,223	10.76

For field diameter at any distance, multiply distance by 0.313
For beam diameter at any distance, multiply by 0.283

Candela Plot



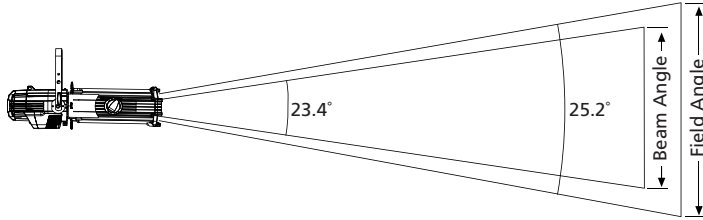
Iso-Illuminance Diagram (Flat Surface Distribution)



Source Four LED Daylight 15-30° Zoom Mid

Mode	Degree	Candela	Field Lumens	Beam Lumens	Power Consumption	Efficacy (lpw)
Boost - Cold	23°	64,201	6,424	5,611	146.1	44.0
Regulated	23°	60,401	6,044	5,279	138.3	43.7

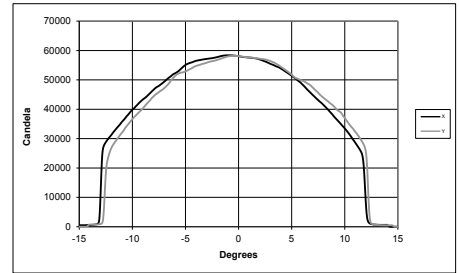
Metric conversions: For meters, multiply feet by 0.3048
For lux, multiply foot-candles by 10.76



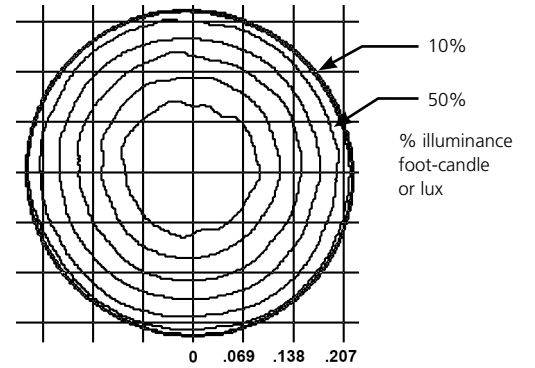
Throw Distance (d)	10'	15'	20'	30'	245.8'
	3.0m	4.6m	6.1m	9.1m	74.9m
Field Diameter	4.5'	6.7'	8.9'	13.4'	-
	1.4m	2.0m	2.7m	4.1m	-
Illuminance (fc)	604	268	151	67.1	1
Illuminance (lux)	6,502	2,890	1,625	722	10.76

For field diameter at any distance, multiply distance by 0.447
For beam diameter at any distance, multiply by 0.414

Candela Plot



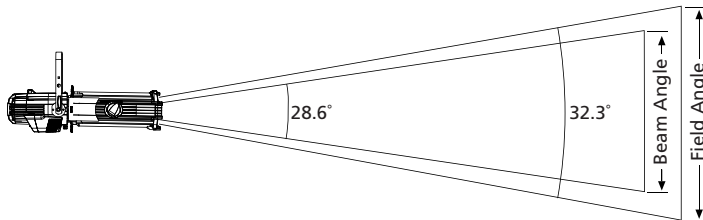
Iso-Illuminance Diagram (Flat Surface Distribution)



Source Four LED Daylight 15-30° Zoom Wide

Mode	Degree	Candela	Field Lumens	Beam Lumens	Power Consumption	Efficacy (lpw)
Boost - Cold	30°	36,036	5,846	4,705	146.1	40.0
Regulated	30°	33,903	5,500	4,427	138.3	39.8

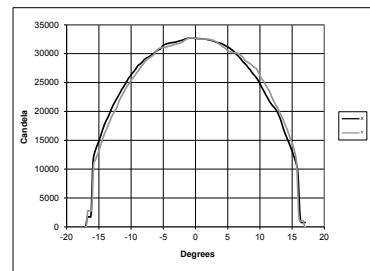
Metric conversions: For meters, multiply feet by 0.3048
For lux, multiply foot-candles by 10.76



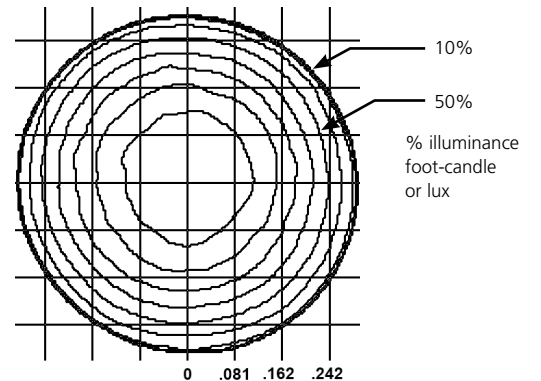
Throw Distance (d)	10'	15'	20'	30'	184.1'
	3.0m	4.6m	6.1m	9.1m	56.1m
Field Diameter	5.8'	8.7'	11.6'	17.4'	-
	1.8m	2.6m	3.5m	5.3m	-
Illuminance (fc)	339	151	85	37.7	1
Illuminance (lux)	3,649	1,622	912	405	10.76

For field diameter at any distance, multiply distance by 0.579
For beam diameter at any distance, multiply by 0.510

Candela Plot



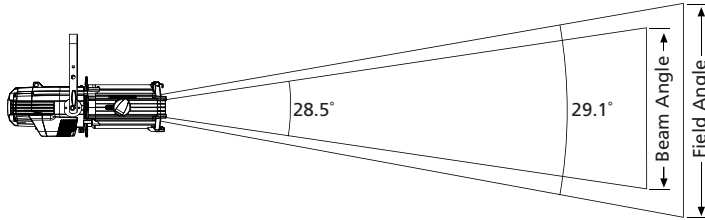
Iso-Illuminance Diagram (Flat Surface Distribution)



Source Four LED Daylight 25-50° Zoom Narrow

Mode	Degree	Candela	Field Lumens	Beam Lumens	Power Consumption	Efficacy (lpw)
Boost - Cold	25°	44,645	7,343	7,199	146.1	50.3
Regulated	25°	42,003	6,909	6,773	138.3	50.0

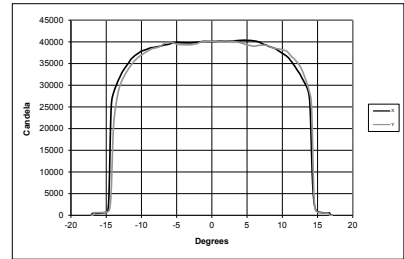
Metric conversions: For meters, multiply feet by 0.3048
For lux, multiply foot-candles by 10.76



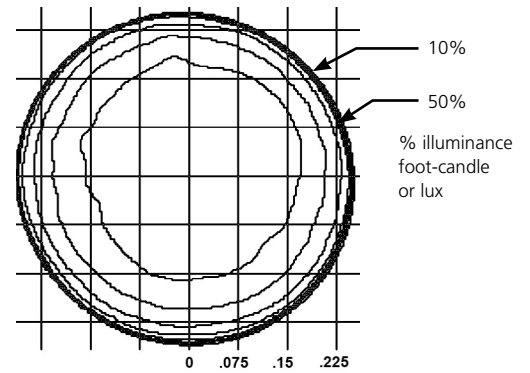
Throw Distance (d)	10'	15'	20'	30'	204.9'
	3.0m	4.6m	6.1m	9.1m	62.5m
Field Diameter	5.2'	7.8'	10.4'	15.6'	-
	1.6m	2.4m	3.2m	4.7m	-
Illuminance (fc)	420	187	105	46.7	1
Illuminance (lux)	4,521	2,009	1,130	502	10.76

For field diameter at any distance, multiply distance by 0.519
For beam diameter at any distance, multiply by 0.508

Candela Plot



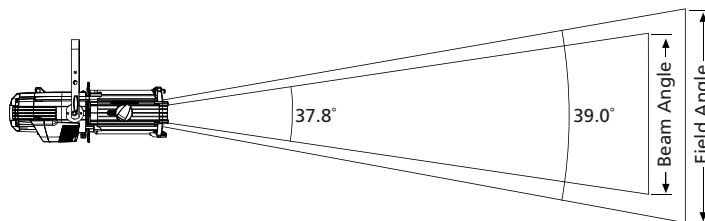
Iso-Illuminance Diagram (Flat Surface Distribution)



Source Four LED Daylight 25-50° Zoom Mid

Mode	Degree	Candela	Field Lumens	Beam Lumens	Power Consumption	Efficacy (lpw)
Boost - Cold	37°	29,149	7,897	7,363	146.1	54.1
Regulated	37°	27,424	7,430	6,928	138.3	53.7

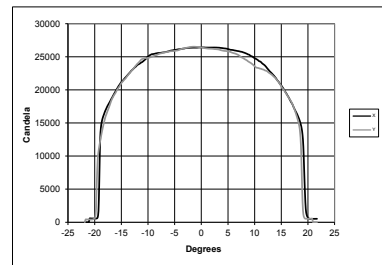
Metric conversions: For meters, multiply feet by 0.3048
For lux, multiply foot-candles by 10.76



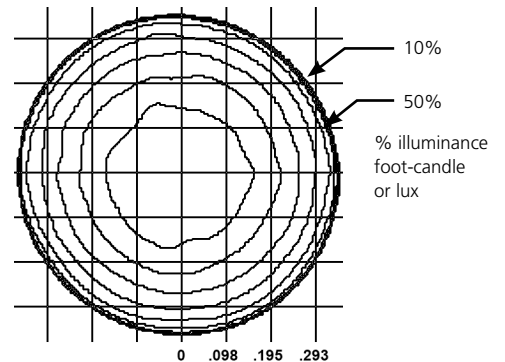
Throw Distance (d)	10'	15'	20'	30'	165.6'
	3.0m	4.6m	6.1m	9.1m	50.5m
Field Diameter	7.1'	10.6'	14.2'	21.2'	-
	2.2m	3.2m	4.3m	6.5m	-
Illuminance (fc)	274	122	69	30.5	1
Illuminance (lux)	2,952	1,312	738	328	10.76

For field diameter at any distance, multiply distance by 0.708
For beam diameter at any distance, multiply by 0.685

Candela Plot



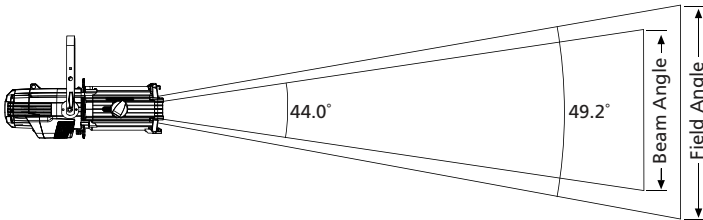
Iso-Illuminance Diagram (Flat Surface Distribution)



Source Four LED Daylight 25-50° Zoom Wide

Mode	Degree	Candela	Field Lumens	Beam Lumens	Power Consumption	Efficacy (lpw)
Boost - Cold	50°	20,539	7,650	5,905	146.1	52.4
Regulated	50°	19,324	7,197	5,555	138.3	52.0

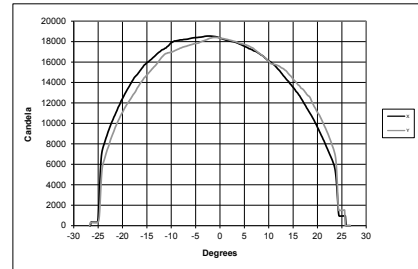
Metric conversions: For meters, multiply feet by 0.3048
For lux, multiply foot-candles by 10.76



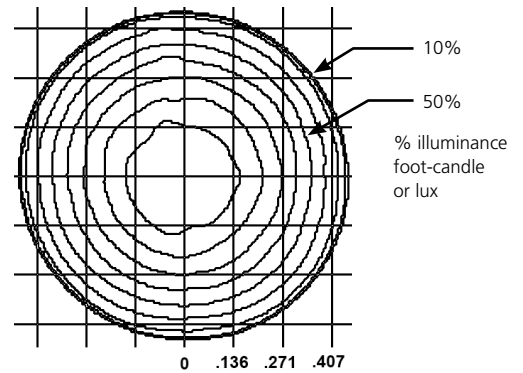
Throw Distance (d)	10'	15'	20'	30'	139.0'
	3.0m	4.6m	6.1m	9.1m	42.4m
Field Diameter	9.2'	13.7'	18.3'	27.5'	-
	2.8m	4.2m	5.6m	8.4m	-
Illuminance (fc)	193	86	48	21.5	1
Illuminance (lux)	2,080	924	520	231	10.76

For field diameter at any distance, multiply distance by 0.916
For beam diameter at any distance, multiply by 0.808

Candela Plot



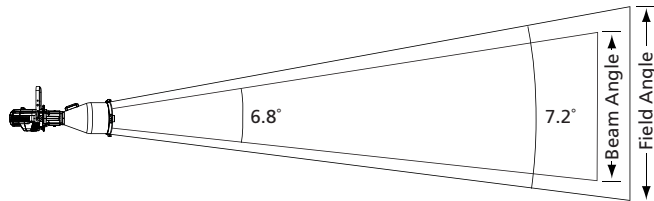
Iso-Illuminance Diagram (Flat Surface Distribution)



Source Four LED Tungsten 5°

Mode	Degree	Candela	Field Lumens	Beam Lumens	Power Consumption	Efficacy (lpw)
Boost - Cold	5°	466,168	4,317	4,210	152	28.4
Regulated	5°	448,238	4,151	4,048	148	28.0

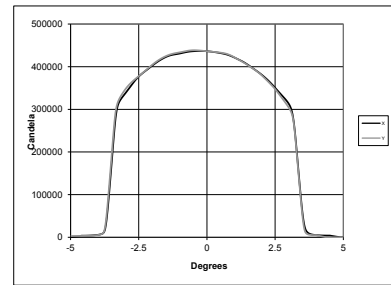
Metric conversions: For meters, multiply feet by 0.3048
For lux, multiply foot-candles by 10.76



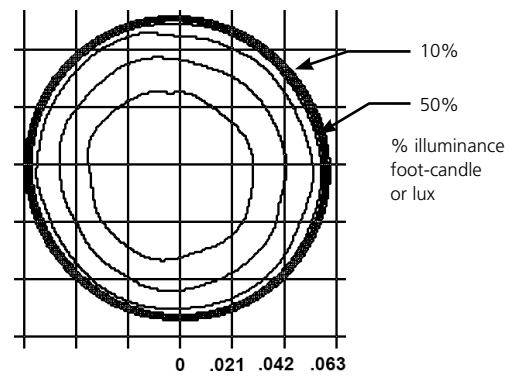
Throw Distance (d)	10ft	15ft	20ft	30ft	669.5ft
	3.0m	4.6m	6.1m	9.1m	204.1m
Field Diameter	1.3ft	1.9ft	2.5ft	3.8ft	-
	0.4m	0.6m	0.8m	1.2m	-
Illuminance (fc)	4,482	1,992	1,121	498.0	1
Illuminance (lux)	48,248	21,444	12,062	5,361	10.76

For field diameter at any distance, multiply distance by 0.126
For beam diameter at any distance, multiply by 0.119

Candela Plot



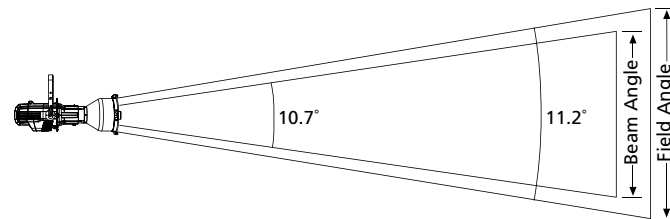
Iso-Illuminance Diagram (Flat Surface Distribution)



Source Four LED Tungsten 10°

Mode	Degree	Candela	Field Lumens	Beam Lumens	Power Consumption	Efficacy (lpw)
Boost - Cold	10°	252,568	5,592	5,455	152	36.8
Regulated	10°	242,854	5,377	5,246	141.7	37.9

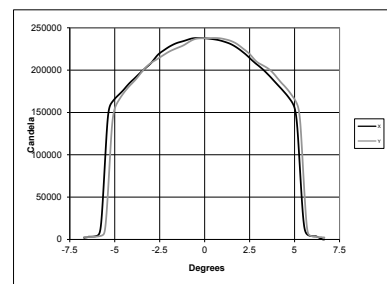
Metric conversions: For meters, multiply feet by 0.3048
For lux, multiply foot-candles by 10.76



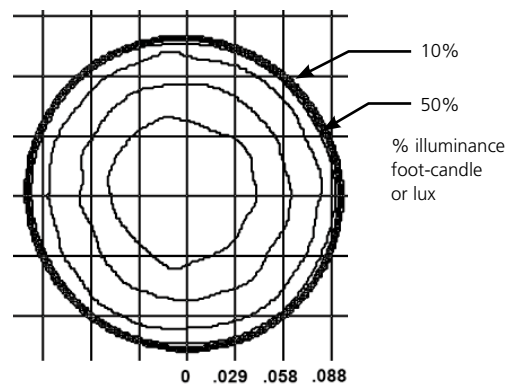
Throw Distance (d)	10ft	15ft	20ft	30ft	492.8ft
	3.0m	4.6m	6.1m	9.1m	150.2m
Field Diameter	2.0ft	2.9ft	3.9ft	5.9ft	-
	0.6m	0.9m	1.2m	1.8m	-
Illuminance (fc)	2,429	1,079	607	269.8	1
Illuminance (lux)	26,141	11,618	6,535	2,905	10.76

For field diameter at any distance, multiply distance by 0.196
For beam diameter at any distance, multiply by 0.187

Candela Plot



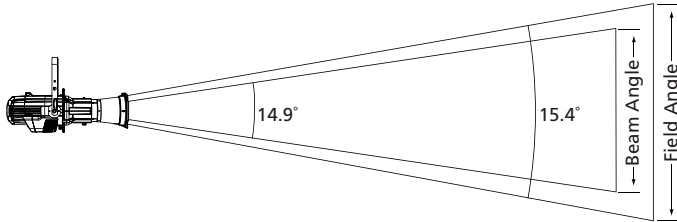
Iso-Illuminance Diagram (Flat Surface Distribution)



Source Four LED Tungsten 14°

Mode	Degree	Candela	Field Lumens	Beam Lumens	Power Consumption	Efficacy (lpw)
Boost - Cold	14°	132,346	5,886	5,805	152	38.7
Regulated	14°	127,255	5,660	5,582	148	38.2

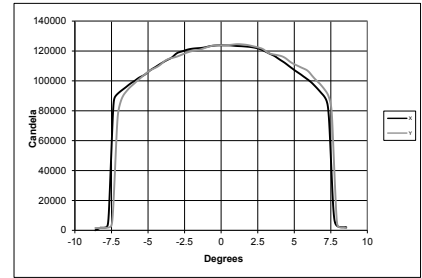
Metric conversions: For meters, multiply feet by 0.3048
For lux, multiply foot-candles by 10.76



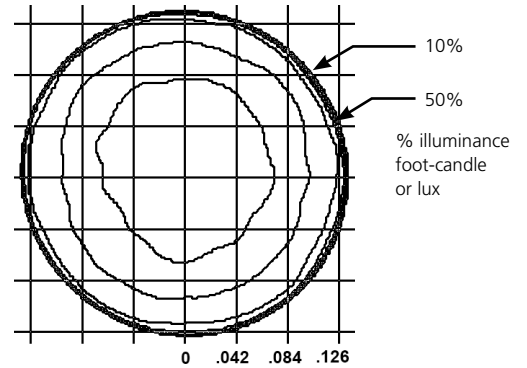
Throw Distance (d)	10ft	15ft	20ft	30ft	356.7ft
	3.0m	4.6m	6.1m	9.1m	108.7m
Field Diameter	2.7ft	4.1ft	5.4ft	8.1ft	-
	0.8m	1.2m	1.6m	2.5m	-
Illuminance (fc)	1,273	566	318	141.4	1
Illuminance (lux)	13,698	6,088	3,424	1,522	10.76

For field diameter at any distance, multiply distance by 0.270
For beam diameter at any distance, multiply by 0.262

Candela Plot



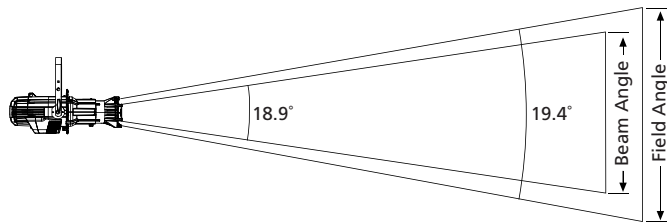
Iso-Illuminance Diagram (Flat Surface Distribution)



Source Four LED Tungsten 19° EDLT

Mode	Degree	Candela	Field Lumens	Beam Lumens	Power Consumption	Efficacy (lpw)
Boost - Cold	19°	81,399	5,886	5,777	152	38.7
Regulated	19°	78,268	5,660	5,555	148	38.2

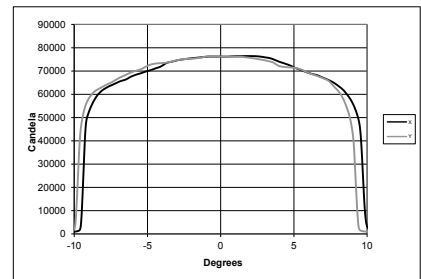
Metric conversions: For meters, multiply feet by 0.3048
For lux, multiply foot-candles by 10.76



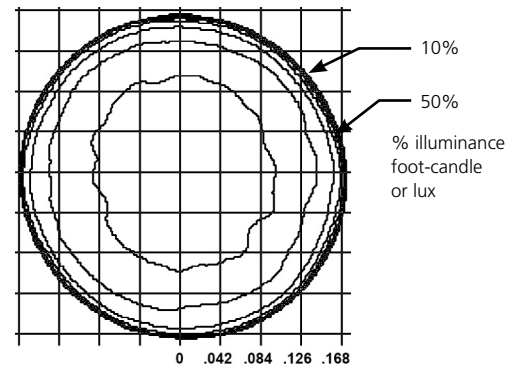
Throw Distance (d)	10ft	15ft	20ft	30ft	279.8ft
	3.0m	4.6m	6.1m	9.1m	85.3m
Field Diameter	3.4ft	5.1ft	6.8ft	10.3ft	-
	1.0m	1.6m	2.1m	3.1m	-
Illuminance (fc)	783	348	196	87.0	1
Illuminance (lux)	8,425	3,744	2,106	936	10.76

For field diameter at any distance, multiply distance by 0.342
For beam diameter at any distance, multiply by 0.333

Candela Plot



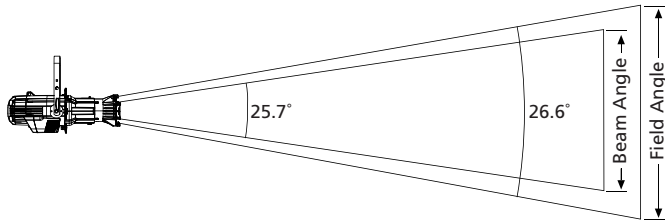
Iso-Illuminance Diagram (Flat Surface Distribution)



Source Four LED Tungsten 26° EDLT

Mode	Degree	Candela	Field Lumens	Beam Lumens	Power Consumption	Efficacy (lpw)
Boost - Cold	26°	57,865	7,045	6,355	152	46.3
Regulated	26°	55,795	6,809	6,054	148	46.0

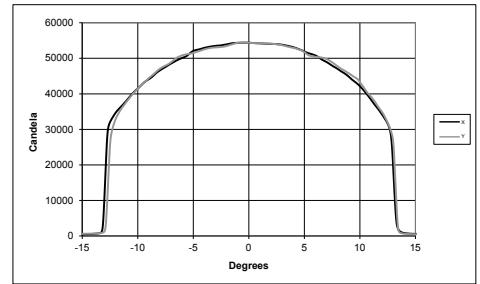
Metric conversions: For meters, multiply feet by 0.3048
For lux, multiply foot-candles by 10.76



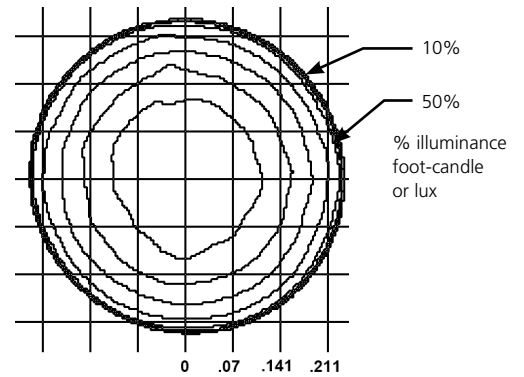
Throw Distance (d)	10ft	15ft	20ft	30ft	236.2ft
	3.0m	4.6m	6.1m	9.1m	72.0m
Field Diameter	4.7ft	7.1ft	9.5ft	14.2ft	-
	1.4m	2.2m	2.9m	4.3m	-
Illuminance (fc)	558	248	139	62.0	1
Illuminance (lux)	6,006	2,669	1,501	667	10.76

For field diameter at any distance, multiply distance by 0.475
For beam diameter at any distance, multiply by 0.458

Candela Plot



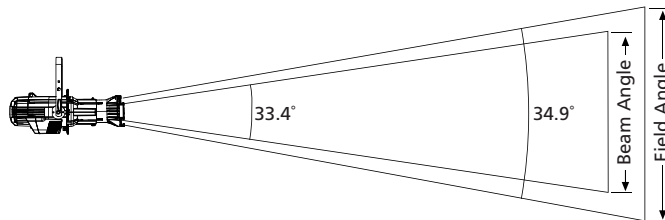
Iso-Illuminance Diagram (Flat Surface Distribution)



Source Four LED Tungsten 36° EDLT

Mode	Degree	Candela	Field Lumens	Beam Lumens	Power Consumption	Efficacy (lpw)
Boost - Cold	36°	33,050	6,923	6,518	152	45.5
Regulated	36°	31,779	6,657	6,268	148	45.0

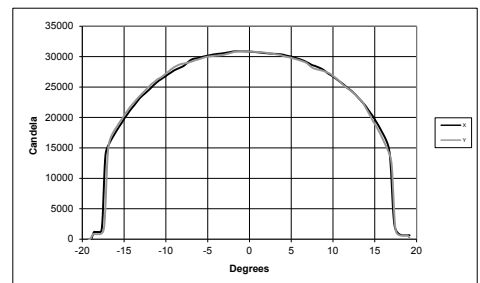
Metric conversions: For meters, multiply feet by 0.3048
For lux, multiply foot-candles by 10.76



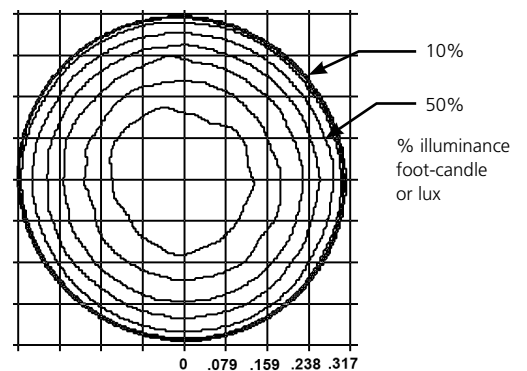
Throw Distance (d)	10ft	15ft	20ft	30ft	178.3ft
	3.0m	4.6m	6.1m	9.1m	54.3m
Field Diameter	6.3ft	9.4ft	12.6ft	18.9ft	-
	1.9m	2.9m	3.8m	5.7m	-
Illuminance (fc)	318	141	79	35.3	1
Illuminance (lux)	3,421	1,520	855	3	10.76

For field diameter at any distance, multiply distance by 0.629
For beam diameter at any distance, multiply by 0.600

Candela Plot



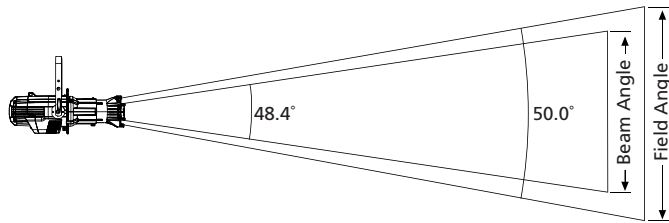
Iso-Illuminance Diagram (Flat Surface Distribution)



Source Four LED Tungsten LED 50° LT

Mode	Degree	Candela	Field Lumens	Beam Lumens	Power Consumption	Efficacy (lpw)
Boost - Cold	50°	16,886	7,512	6,700	152	49.4
Regulated	50°	16,237	7,223	6,443	148	48.8

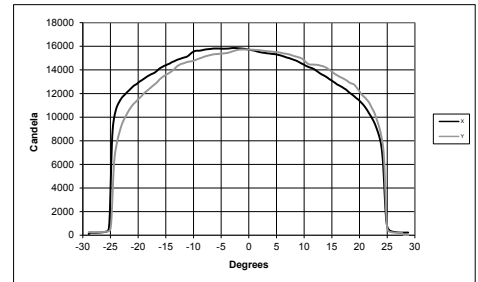
Metric conversions: For meters, multiply feet by 0.3048
For lux, multiply footcandles by 10.76



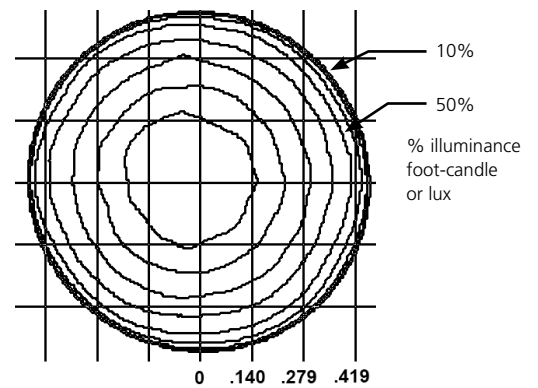
Throw Distance (d)	10ft	15ft	20ft	30ft	127.4ft
	3.0m	4.6m	6.1m	9.1m	38.8m
Field Diameter	9.3ft	14.0ft	18.7ft	28.0ft	-
	2.8m	4.3m	5.7m	8.5m	-
Illuminance (fc)	162	72	41	18.0	1
Illuminance (lux)	1,748	777	437	194	10.76

For field diameter at any distance, multiply distance by 0.933
For beam diameter at any distance, multiply by 0.899

Candela Plot



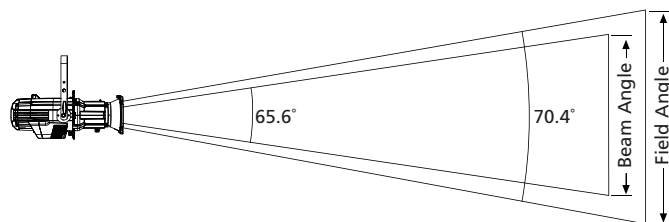
Iso-Illuminance Diagram (Flat Surface Distribution)



Source Four LED Tungsten 70°

Mode	Degree	Candela	Field Lumens	Beam Lumens	Power Consumption	Efficacy (lpw)
Boost - Cold	70°	10,391	8,171	5,259	152	53.8
Regulated	70°	9,992	7,856	5,057	148	53.1

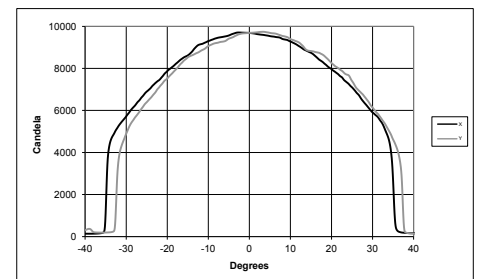
Metric conversions: For meters, multiply feet by 0.3048
For lux, multiply foot-candles by 10.76



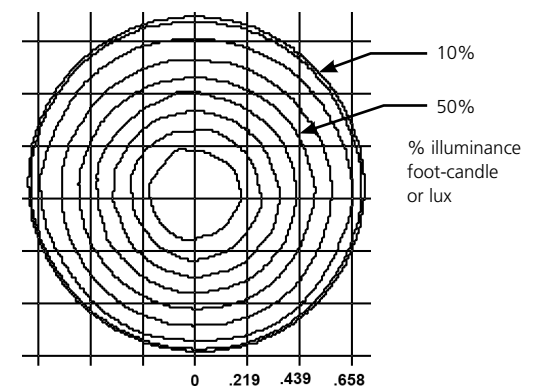
Throw Distance (d)	10ft	15ft	20ft	30ft	100.0ft
	3.0m	4.6m	6.1m	9.1m	30.5m
Field Diameter	14.1ft	21.2ft	28.2ft	42.3ft	-
	4.3m	6.5m	8.6m	12.9m	-
Illuminance (fc)	100	44	25	11.1	1
Illuminance (lux)	1,075	478	269	119	10.76

For field diameter at any distance, multiply distance by 1.411
For beam diameter at any distance, multiply by 1.289

Candela Plot



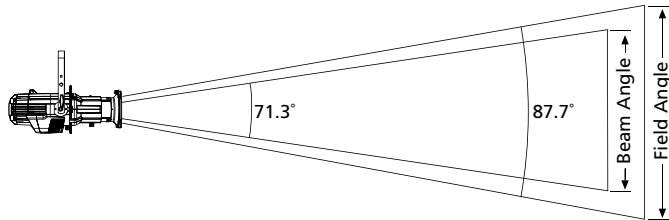
Iso-Illuminance Diagram (Flat Surface Distribution)



Source Four LED Tungsten 90°

Mode	Degree	Candela	Field Lumens	Beam Lumens	Power Consumption	Efficacy (lpw)
Boost - Cold	90°	7,736	7,904	4,322	152	52.0
Regulated	90°	7,438	7,600	4,156	148	51.4

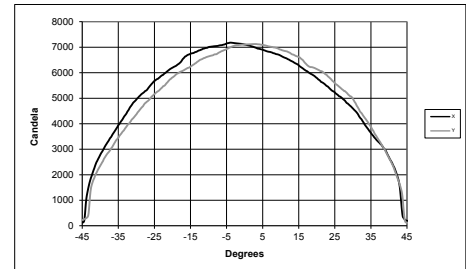
Metric conversions: For meters, multiply feet by 0.3048
For lux, multiply foot-candles by 10.76



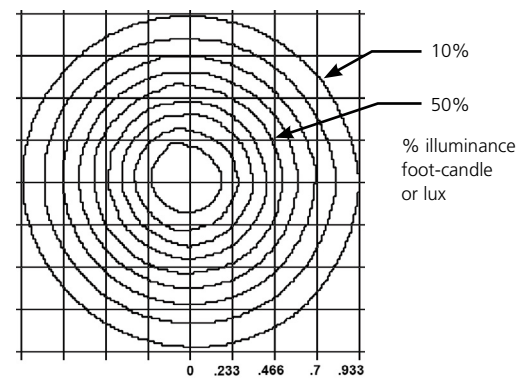
Throw Distance (d)	10ft	15ft	20ft	30ft	86.2ft
	3.0m	4.6m	6.1m	9.1m	26.3m
Field Diameter	19.2ft	28.8ft	38.4ft	57.6ft	-
	5.9m	8.8m	11.7m	17.6m	-
Illuminance (fc)	74	33	19	8.3	1
Illuminance (lux)	801	356	200	89	10.76

For field diameter at any distance, multiply distance by 1.921
For beam diameter at any distance, multiply by 1.435

Candela Plot



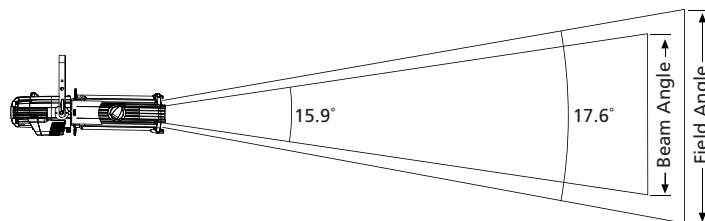
Iso-Illuminance Diagram (Flat Surface Distribution)



Source Four LED Tungsten 15-30° Zoom Narrow

Mode	Degree	Candela	Field Lumens	Beam Lumens	Power Consumption	Efficacy (lpw)
Boost - Cold	15°	115,315	5,704	4,966	152	37.5
Regulated	15°	110,880	5,485	4,775	148	37.1

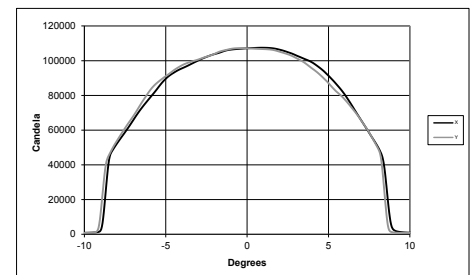
Metric conversions: For meters, multiply feet by 0.3048
For lux, multiply foot-candles by 10.76



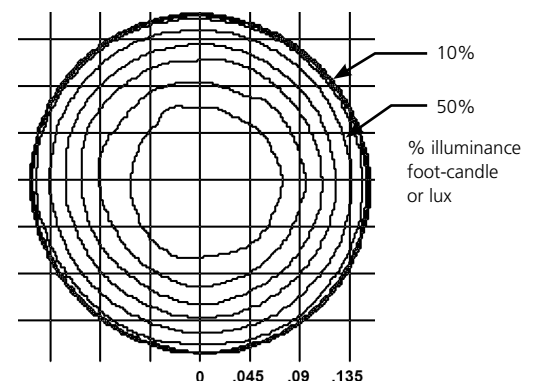
Throw Distance (d)	10ft	15ft	20ft	30ft	333.0ft
	3.0m	4.6m	6.1m	9.1m	101.5m
Field Diameter	3.1ft	4.6ft	6.2ft	9.3ft	-
	0.9m	1.4m	1.9m	2.8m	-
Illuminance (fc)	1,109	493	277	123.2	1
Illuminance (lux)	11,935	5,304	2,984	1,326	10.76

For field diameter at any distance, multiply distance by 0.310
For beam diameter at any distance, multiply by 0.279

Candela Plot



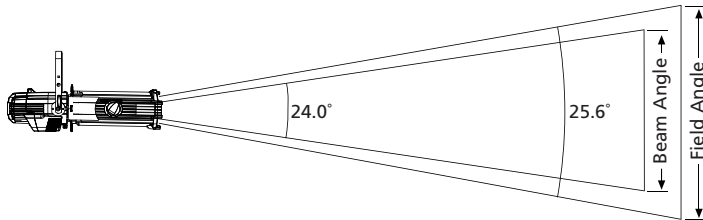
Iso-Illuminance Diagram (Flat Surface Distribution)



Source Four LED Tungsten 15-30° Zoom Mid

Mode	Degree	Candela	Field Lumens	Beam Lumens	Power Consumption	Efficacy (lpw)
Boost - Cold	23°	61,482	6,517	5,665	152	42.9
Regulated	23°	59,118	6,266	5,447	148	42.3

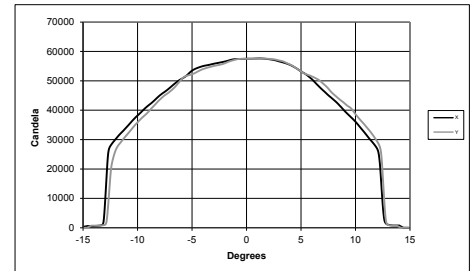
Metric conversions: For meters, multiply feet by 0.3048
For lux, multiply foot-candles by 10.76



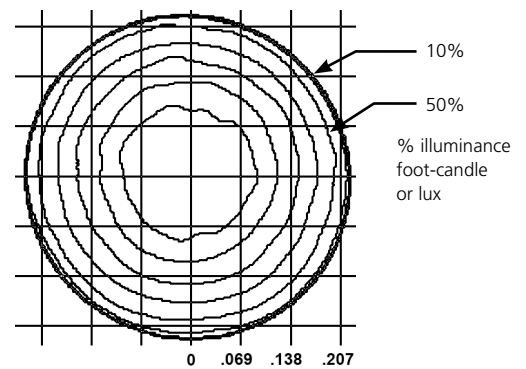
Throw Distance (d)	10ft	15ft	20ft	30ft	243.1ft
	3.0m	4.6m	6.1m	9.1m	74.1m
Field Diameter	4.5ft	6.8ft	9.1ft	13.6ft	-
	1.4m	2.1m	2.8m	4.2m	-
Illuminance (fc)	591	263	148	65.7	1
Illuminance (lux)	6,363	2,828	1,591	707	10.76

For field diameter at any distance, multiply distance by 0.454
For beam diameter at any distance, multiply by 0.425

Candela Plot



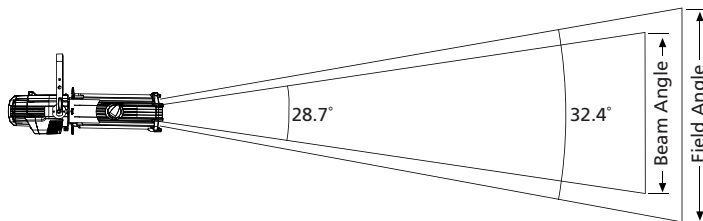
Iso-Illuminance Diagram (Flat Surface Distribution)



Source Four LED Tungsten 15-30° Zoom Wide

Mode	Degree	Candela	Field Lumens	Beam Lumens	Power Consumption	Efficacy (lpw)
Boost - Cold	30°	36,081	5,956	4,756	152	39.2
Regulated	30°	34,693	5,727	4,573	148	38.7

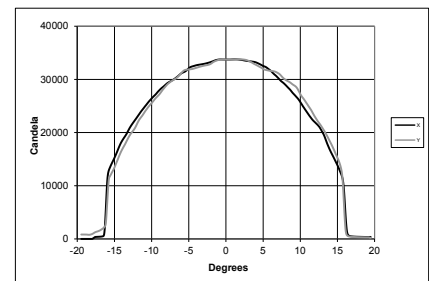
Metric conversions: For meters, multiply feet by 0.3048
For lux, multiply foot-candles by 10.76



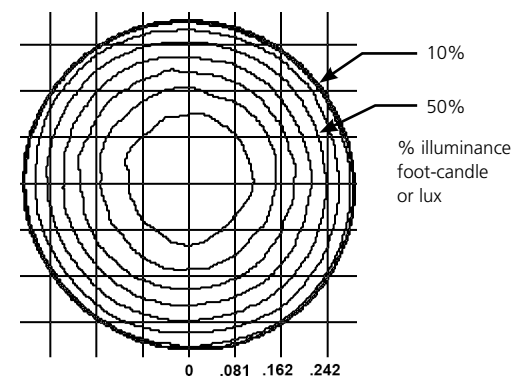
Throw Distance (d)	10ft	15ft	20ft	30ft	186.3ft
	3.0m	4.6m	6.1m	9.1m	56.8m
Field Diameter	5.8ft	8.7ft	11.6ft	17.4ft	-
	1.8m	2.7m	3.5m	5.3m	-
Illuminance (fc)	347	154	87	38.5	1
Illuminance (lux)	3,734	1,660	934	415	10.76

For field diameter at any distance, multiply distance by 0.581
For beam diameter at any distance, multiply by 0.512

Candela Plot



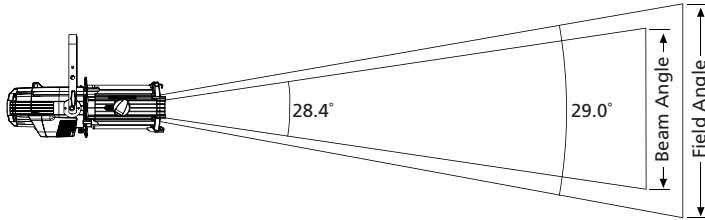
Iso-Illuminance Diagram (Flat Surface Distribution)



Source Four LED Tungsten 25-50° Zoom Narrow

Mode	Degree	Candela	Field Lumens	Beam Lumens	Power Consumption	Efficacy (lpw)
Boost - Cold	25°	44,596	7,330	7,190	152	48.2
Regulated	25°	42,881	7,048	6,913	148	47.6

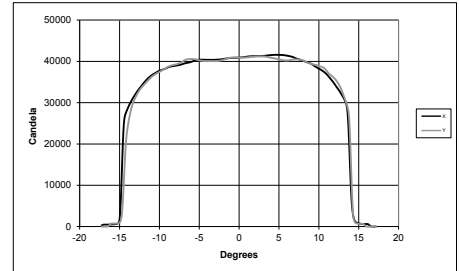
Metric conversions: For meters, multiply feet by 0.3048
For lux, multiply foot-candles by 10.76



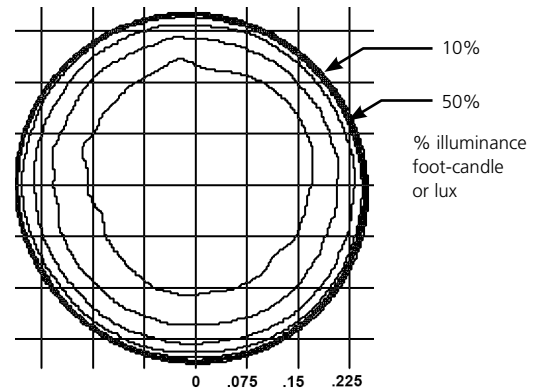
Throw Distance (d)	10ft	15ft	20ft	30ft	207.1ft
	3.0m	4.6m	6.1m	9.1m	63.1m
Field Diameter	5.2ft	7.8ft	10.3ft	15.5ft	-
	1.6m	2.4m	3.2m	4.7m	-
Illuminance (fc)	429	191	107	47.6	1
Illuminance (lux)	4,616	2,051	1,154	513	10.76

For field diameter at any distance, multiply distance by 0.517
For beam diameter at any distance, multiply by 0.506

Candela Plot



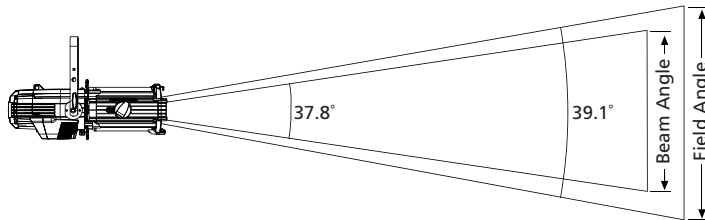
Iso-Illuminance Diagram (Flat Surface Distribution)



Source Four LED Tungsten 25-50° Zoom Mid

Mode	Degree	Candela	Field Lumens	Beam Lumens	Power Consumption	Efficacy (lpw)
Boost - Cold	37°	29,442	7,918	7,302	152	52.1
Regulated	37°	28,310	7,614	7,021	148	51.4

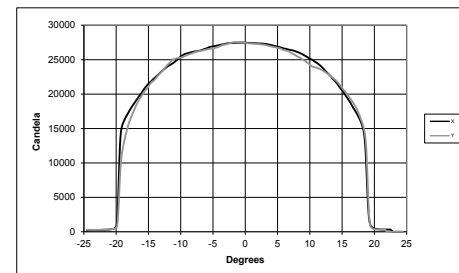
Metric conversions: For meters, multiply feet by 0.3048
For lux, multiply foot-candles by 10.76



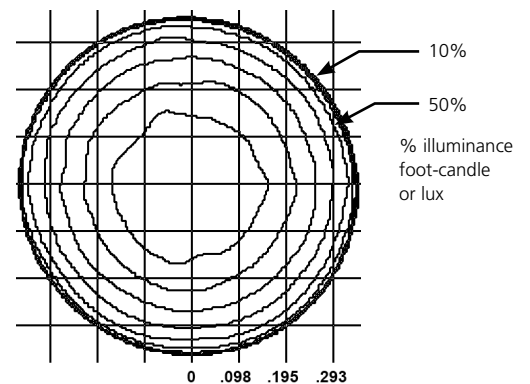
Throw Distance (d)	10ft	15ft	20ft	30ft	168.3ft
	3.0m	4.6m	6.1m	9.1m	51.3m
Field Diameter	7.1ft	10.7ft	14.2ft	21.3ft	-
	2.2m	3.2m	4.3m	6.5m	-
Illuminance (fc)	283	126	71	31.5	1
Illuminance (lux)	3,047	1,354	762	339	10.76

For field diameter at any distance, multiply distance by 0.710
For beam diameter at any distance, multiply by 0.685

Candela Plot



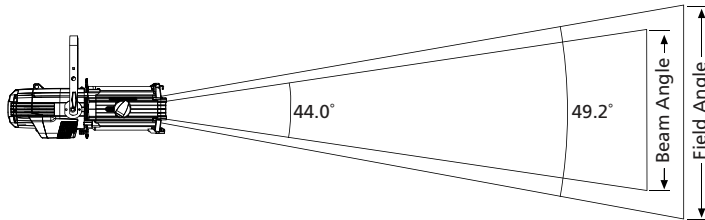
Iso-Illuminance Diagram (Flat Surface Distribution)



Source Four LED Tungsten 25-50° Zoom Wide

Mode	Degree	Candela	Field Lumens	Beam Lumens	Power Consumption	Efficacy (lpw)
Boost - Cold	50°	20,350	7,680	5,861	152	50.5
Regulated	50°	19,567	7,385	5,636	148	49.9

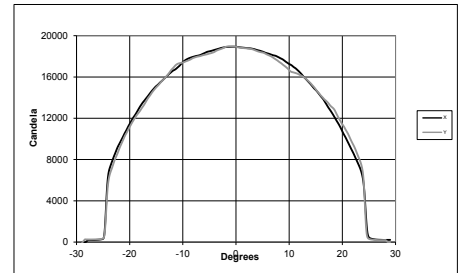
Metric conversions: For meters, multiply feet by 0.3048
 For lux, multiply foot-candles by 10.76



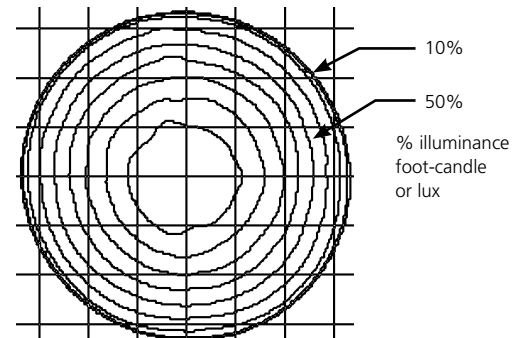
Throw Distance (d)	10ft	15ft	20ft	30ft	139.9ft
	3.0m	4.6m	6.1m	9.1m	42.6ft
Field Diameter	9.2ft	13.7ft	18.3ft	27.5ft	-
	2.8m	4.2m	5.6m	8.4m	-
Illuminance (fc)	196	87	49	21.7	1
Illuminance (lux)	2,106	936	527	234	10.76

For field diameter at any distance, multiply distance by 0.916
 For beam diameter at any distance, multiply by 0.808

Candela Plot



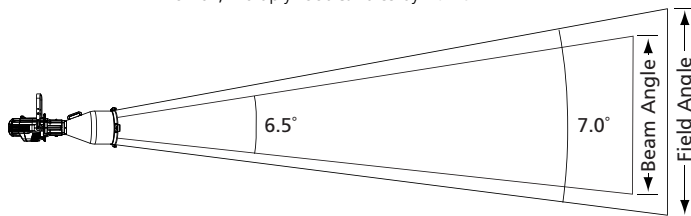
Iso-Illuminance Diagram (Flat Surface Distribution)



Source Four LED Studio HD 5°

Mode	Degree	Candela	Field Lumens	Beam Lumens	Power Consumption	Efficacy (lpw)
Boost Full - Cold	5°	458,800	3,879	3,750	118	32.9
Regulated	5°	403,374	3,410	3,297	105.2	32.4
Regulated 3200K	5°	392,160	3,316	3,205	89.2	37.2
Regulated 5600K	5°	335,276	2,835	2,740	85.6	33.1

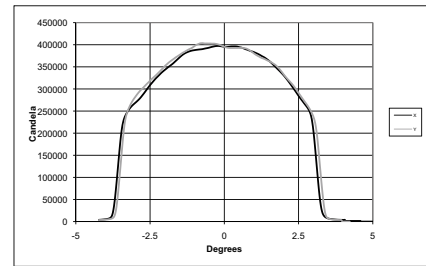
Metric conversions: For meters, multiply feet by 0.3048
For lux, multiply foot-candles by 10.76



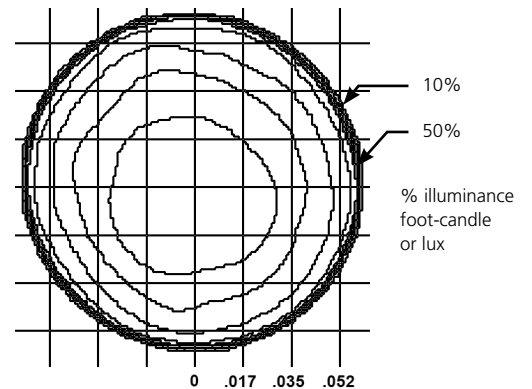
Throw Distance (d)	10'	15'	20'	30'	635.1'
	3.0m	4.6m	6.1m	9.1m	193.6m
Field Diameter	1.2'	1.8'	2.4'	3.7'	-
	0.4m	0.6m	0.7m	1.1m	-
Illuminance (fc)	4,034	1,793	1,008	448.2	
Illuminance (lux)	43,419	19,297	10,855	4,824	

For field diameter at any distance, multiply distance by 0.122
For beam diameter at any distance, multiply by 0.114

Candela Plot



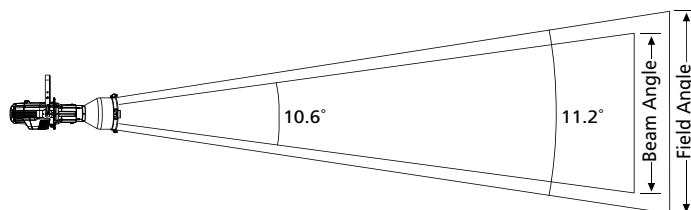
Iso-Illuminance Diagram (Flat Surface Distribution)



Source Four LED Studio HD 10°

Mode	Degree	Candela	Field Lumens	Beam Lumens	Power Consumption	Efficacy (lpw)
Boost Full - Cold	10°	227,500	4,761	4,566	118	40.3
Regulated	10°	200,016	4,186	4,014	105.2	39.8
Regulated 3200K	10°	194,456	4,069	3,903	89.2	45.6
Regulated 5600K	10°	166,250	3,479	3,337	85.6	40.6

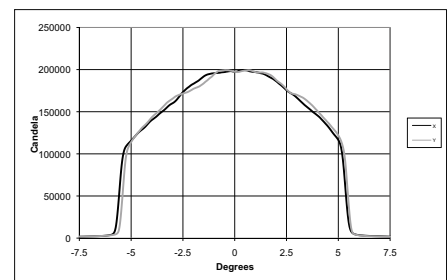
Metric conversions: For meters, multiply feet by 0.3048
For lux, multiply foot-candles by 10.76



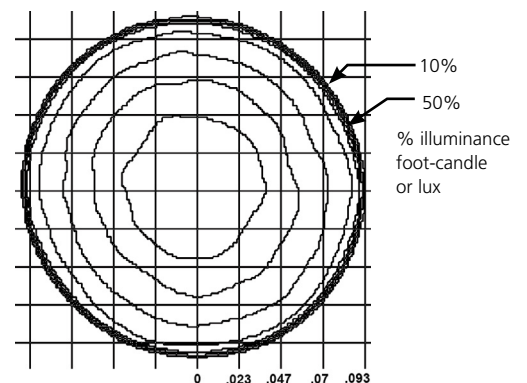
Throw Distance (d)	10'	15'	20'	30'	447.2'
	3.0m	4.6m	6.1m	9.1m	136.3m
Field Diameter	2.0'	2.9'	3.9'	5.9'	-
	0.6m	0.9m	1.2m	1.8m	-
Illuminance (fc)	2,000	889	500	222.2	
Illuminance (lux)	21,530	9,569	5,382	2,392	

For field diameter at any distance, multiply distance by 0.196
For beam diameter at any distance, multiply by 0.186

Candela Plot



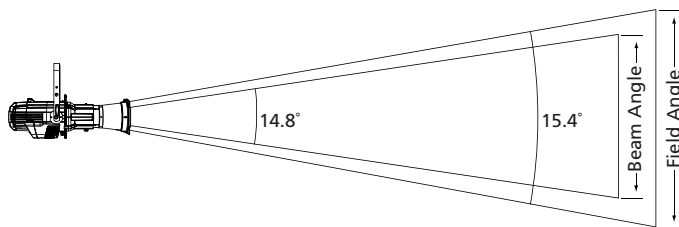
Iso-Illuminance Diagram (Flat Surface Distribution)



Source Four LED Studio HD 14°

Mode	Degree	Candela	Field Lumens	Beam Lumens	Power Consumption	Efficacy (lpw)
Boost - Cold	14°	122,900	5,153	5,042	128	40.3
Regulated	14°	108,053	4,530	4,433	105.2	43.1
Regulated 3200K	14°	105,049	4,405	4,310	89.2	49.4
Regulated 5600K	14°	89,811	3,766	3,685	85.6	44.0

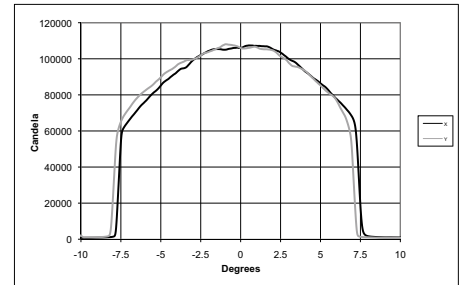
Metric conversions: For meters, multiply feet by 0.3048
For lux, multiply foot-candles by 10.76



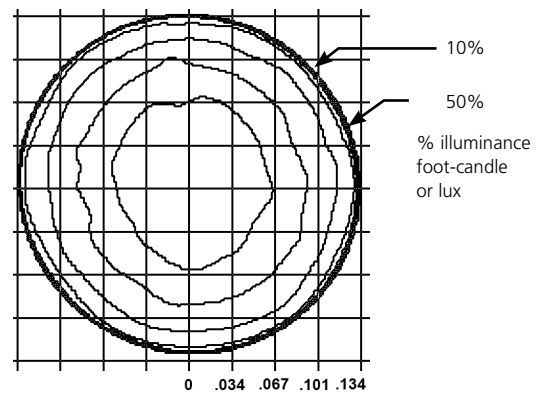
Throw Distance (d)	10'	15'	20'	30'	328.7'
	3.0m	4.6m	6.1m	9.1m	100.2m
Field Diameter	2.7'	4.1'	5.4'	8.1'	-
	0.8m	1.2m	1.6m	2.5m	-
Illuminance (fc)	1,081	480	270	120.1	
Illuminance (lux)	11,631	5,169	2,908	1,292	

For field diameter at any distance, multiply distance by 0.270
For beam diameter at any distance, multiply by 0.260

Candela Plot



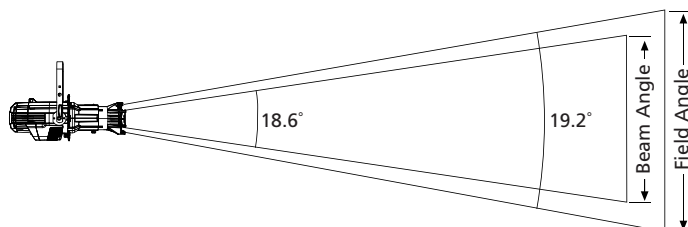
Iso-Illuminance Diagram (Flat Surface Distribution)



Source Four LED Studio HD 19° EDLT

Mode	Degree	Candela	Field Lumens	Beam Lumens	Power Consumption	Efficacy (lpw)
Boost - Cold	19°	77,470	5,064	4,887	128	39.6
Regulated	19°	68,111	4,452	4,297	105.2	42.3
Regulated 3200K	19°	66,218	4,328	4,177	89.2	48.5
Regulated 5600K	19°	56,613	3,701	3,571	85.6	43.2

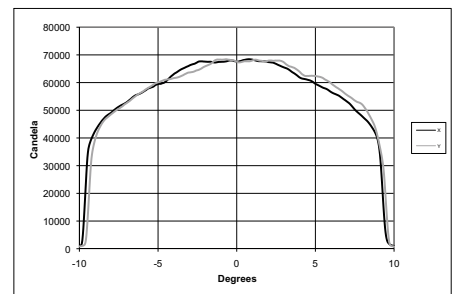
Metric conversions: For meters, multiply feet by 0.3048
For lux, multiply foot-candles by 10.76



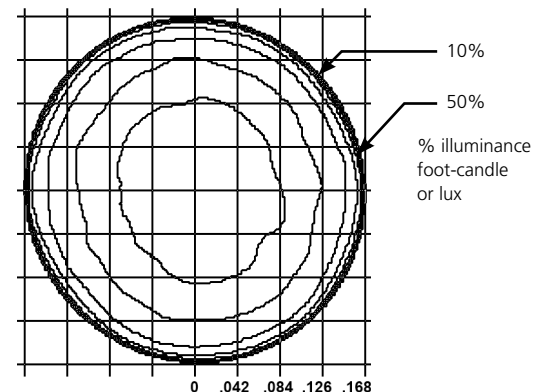
Throw Distance (d)	10'	15'	20'	30'	261.0'
	3.0m	4.6m	6.1m	9.1m	79.5m
Field Diameter	3.4'	5.1'	6.8'	10.1'	-
	1.0m	1.5m	2.1m	3.1m	-
Illuminance (fc)	681	303	170	75.7	
Illuminance (lux)	7,331	3,258	1,833	815	

For field diameter at any distance, multiply distance by 0.338
For beam diameter at any distance, multiply by 0.328

Candela Plot



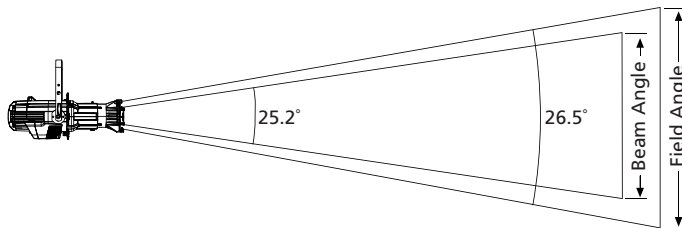
Iso-Illuminance Diagram (Flat Surface Distribution)



Source Four LED Studio HD 26° EDLT

Mode	Degree	Candela	Field Lumens	Beam Lumens	Power Consumption	Efficacy (lpw)
Boost Full - Cold	26°	51,012	6,118	5,248	118	51.8
Regulated	26°	44,849	5,379	4,614	105.2	51.1
Regulated 3200K	26°	43,603	5,229	4,486	89.2	58.6
Regulated 5600K	26°	37,278	4,471	3,835	85.6	52.2

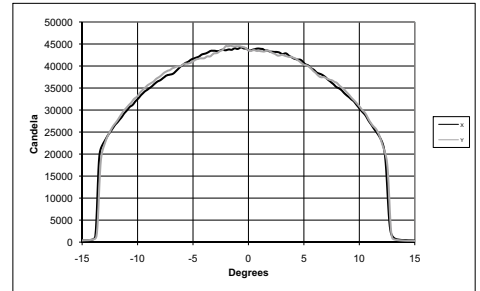
Metric conversions: For meters, multiply feet by 0.3048
For lux, multiply foot-candles by 10.76



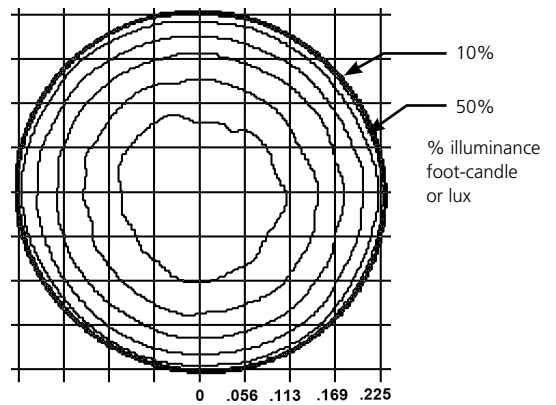
Throw Distance (d)	10'	15'	20'	30'	211.8'
	3.0m	4.6m	6.1m	9.1m	64.5m
Field Diameter	4.7'	7.4'	9.9'	14.8'	-
	1.4m	2.3m	3.0m	4.5m	-
Illuminance (fc)	448	199	112	49.8	1
Illuminance (lux)	4,828	2,146	1,207	536	10.76

For field diameter at any distance, multiply distance by 0.493
For beam diameter at any distance, multiply by 0.449

Candela Plot



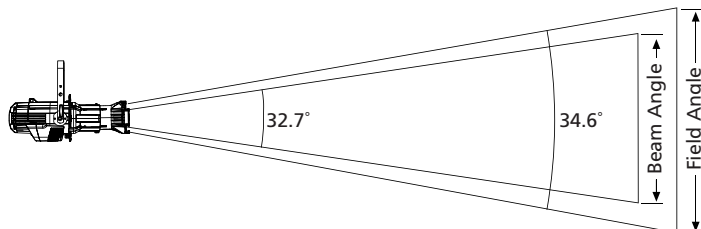
Iso-Illuminance Diagram (Flat Surface Distribution)



Source Four LED Studio HD 36° EDLT

Mode	Degree	Candela	Field Lumens	Beam Lumens	Power Consumption	Efficacy (lpw)
Boost Full - Cold	36°	28,600	5,660	4,940	128	44.2
Regulated	36°	25,145	4,976	4,343	105.2	47.3
Regulated 3200K	36°	24,446	4,838	4,222	89.2	54.2
Regulated 5600K	36°	20,900	4,136	3,610	85.6	48.3

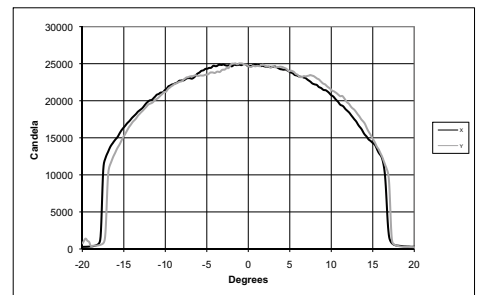
Metric conversions: For meters, multiply feet by 0.3048
For lux, multiply foot-candles by 10.76



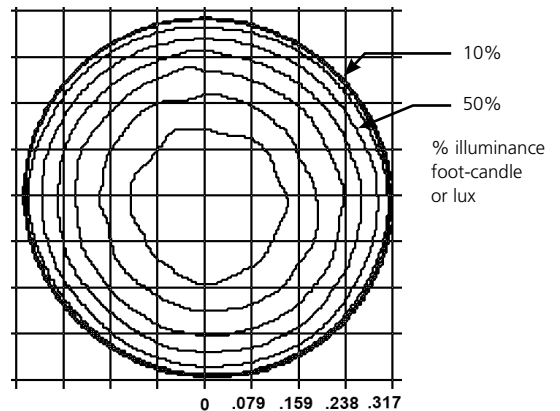
Throw Distance (d)	10'	15'	20'	30'	158.6'
	3.0m	4.6m	6.1m	9.1m	48.3m
Field Diameter	6.2'	9.3'	12.5'	18.7'	-
	1.9m	2.8m	3.8m	5.7m	-
Illuminance (fc)	251	112	63	27.9	-
Illuminance (lux)	2,707	1,203	677	301	-

For field diameter at any distance, multiply distance by 0.623
For beam diameter at any distance, multiply by 0.587

Candela Plot



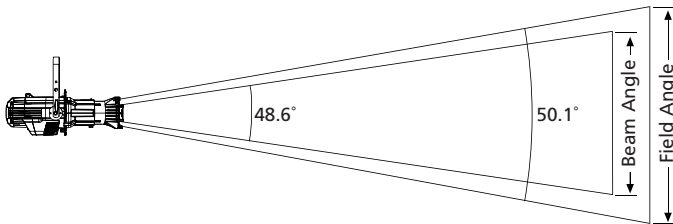
Iso-Illuminance Diagram (Flat Surface Distribution)



Source Four LED Studio HD LED 50° LT

Mode	Degree	Candela	Field Lumens	Beam Lumens	Power Consumption	Efficacy (lpw)
Boost Full - Cold	50°	14,150	6,294	5,603	128	49.2
Regulated	50°	12,441	5,534	4,926	105.2	52.6
Regulated 3200K	50°	12,095	5,380	4,789	89.2	60.3
Regulated 5600K	50°	10,340	4,599	4,094	85.6	53.7

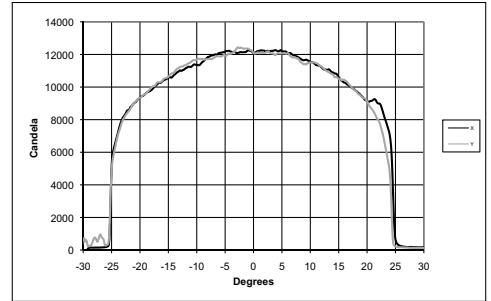
Metric conversions: For meters, multiply feet by 0.3048
For lux, multiply foot-candles by 10.76



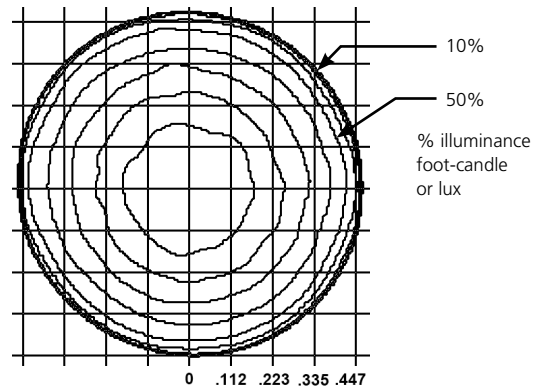
Throw Distance (d)	10'	15'	20'	30'	111.5'
	3.0m	4.6m	6.1m	9.1m	34.0m
Field Diameter	9.3'	14.0'	18.7'	28.0'	-
	2.8m	4.3m	5.7m	8.5m	-
Illuminance (fc)	124	55	31	13.8	
Illuminance (lux)	1,339	595	335	149	

For field diameter at any distance, multiply distance by 0.935
For beam diameter at any distance, multiply by 0.903

Candela Plot



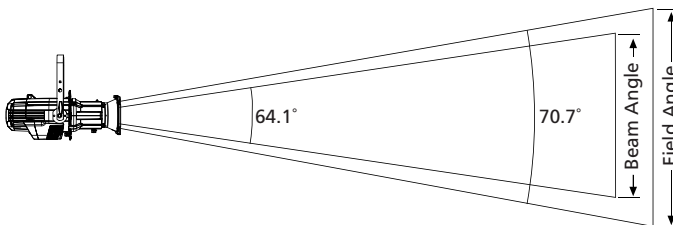
Iso-Illuminance Diagram (Flat Surface Distribution)



Source Four LED Studio HD 70°

Mode	Degree	Candela	Field Lumens	Beam Lumens	Power Consumption	Efficacy (lpw)
Boost Full - Cold	70°	8,640	6,689	4,188	128	52.3
Regulated	70°	7,596	5,881	3,682	105.2	55.9
Regulated 3200K	70°	7,385	5,717	3,580	89.2	64.1
Regulated 5600K	70°	6,314	4,888	3,060	85.6	57.1

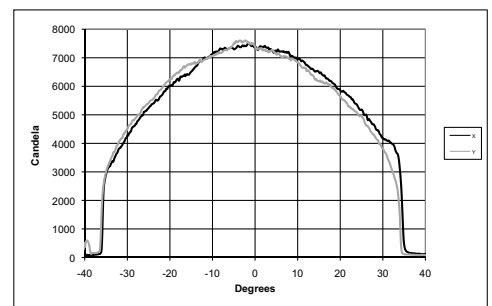
Metric conversions: For meters, multiply feet by 0.3048
For lux, multiply foot-candles by 10.76



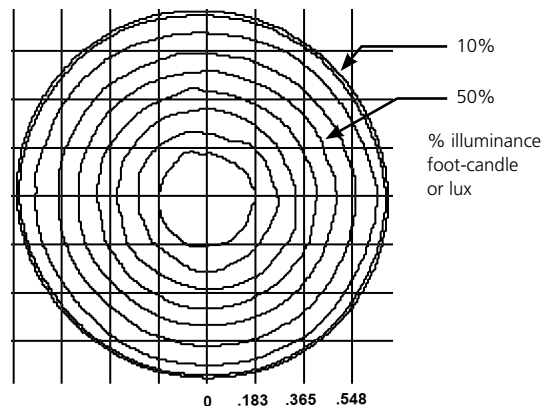
Throw Distance (d)	10'	15'	20'	30'	87.2'
	3.0m	4.6m	6.1m	9.1m	26.6m
Field Diameter	14.2'	21.3'	28.4'	42.6'	-
	4.3m	6.5m	8.6m	13.0m	-
Illuminance (fc)	76	34	19	8.4	
Illuminance (lux)	818	363	204	91	

For field diameter at any distance, multiply distance by 1.419
For beam diameter at any distance, multiply by 1.252

Candela Plot



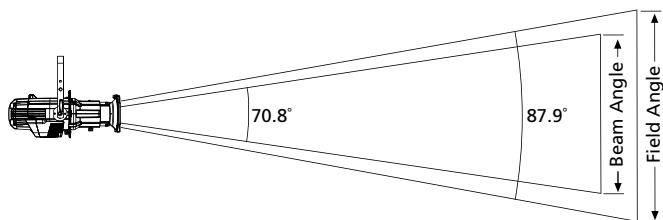
Iso-Illuminance Diagram (Flat Surface Distribution)



Source Four LED Studio HD 90°

Mode	Degree	Candela	Field Lumens	Beam Lumens	Power Consumption	Efficacy (lpw)
Boost Full - Cold	90°	6,230	6,430	3,450	128	50.2
Regulated	90°	5,477	5,653	3,033	105.2	53.7
Regulated 3200K	90°	5,325	5,496	2,949	89.2	61.6
Regulated 5600K	90°	4,553	4,699	2,521	85.6	54.9

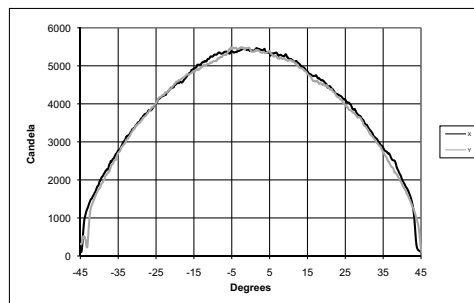
Metric conversions: For meters, multiply feet by 0.3048
For lux, multiply foot-candles by 10.76



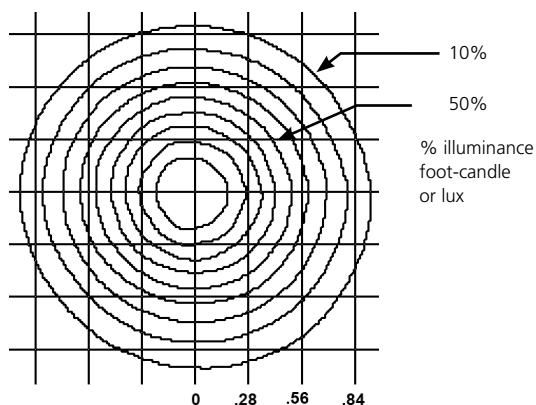
Throw Distance (d)	10'	15'	20'	30'	74.0'
	3.0m	4.6m	6.1m	9.1m	22.6m
Field Diameter	19.3'	28.9'	38.6'	57.8'	-
	5.9m	8.8m	11.8m	17.6m	-
Illuminance (fc)	55	24	14	6.1	
Illuminance (lux)	590	262	147	66	

For field diameter at any distance, multiply distance by 1.928
For beam diameter at any distance, multiply by 1.421

Candela Plot



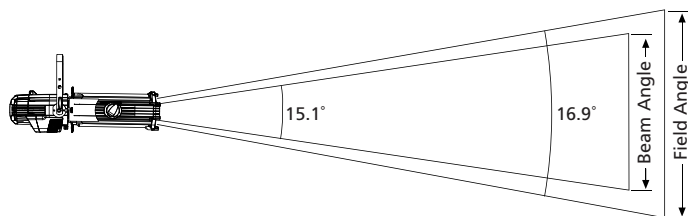
Iso-Illuminance Diagram (Flat Surface Distribution)



Source Four LED Studio HD 15-30° Zoom Narrow

Mode	Degree	Candela	Field Lumens	Beam Lumens	Power Consumption	Efficacy (lpw)
Boost Full - Cold	15-30°	111,300	4,940	4,180	128	38.6
Regulated	15-30°	97,854	4,343	3,675	105.2	41.3
Regulated 3200K	15-30°	95,134	4,222	3,573	89.2	47.3
Regulated 5600K	15-30°	81,334	3,610	3,055	85.6	42.2

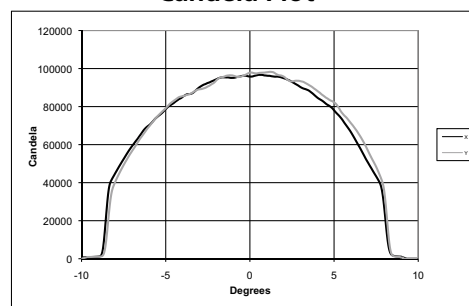
Metric conversions: For meters, multiply feet by 0.3048
For lux, multiply foot-candles by 10.76



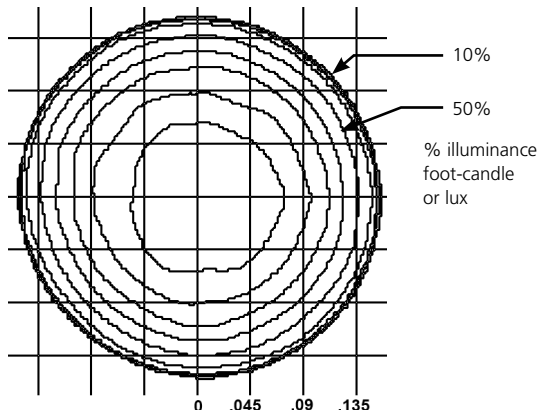
Throw Distance (d)	10'	15'	20'	30'	312.8'
	3.0m	4.6m	6.1m	9.1m	95.3m
Field Diameter	3.0'	4.5'	5.9'	8.9'	-
	0.9m	1.4m	1.8m	2.7m	-
Illuminance (fc)	979	435	245	108.7	
Illuminance (lux)	10,533	4,681	2,633	1,170	

For field diameter at any distance, multiply distance by 0.297
For beam diameter at any distance, multiply by 0.265

Candela Plot



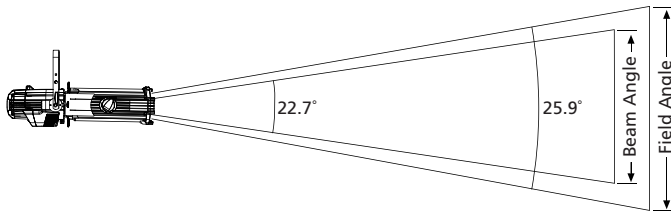
Iso-Illuminance Diagram (Flat Surface Distribution)



Source Four LED Studio HD 15-30° Zoom Mid

Mode	Degree	Candela	Field Lumens	Beam Lumens	Power Consumption	Efficacy (lpw)
Boost Full - Cold	15-30°	56,050	5,500	4,640	128	43.0
Regulated	15-30°	49,279	4,836	4,079	105.2	46.0
Regulated 3200K	15-30°	47,909	4,701	3,966	89.2	52.7
Regulated 5600K	15-30°	40,960	4,019	3,391	85.6	47.0

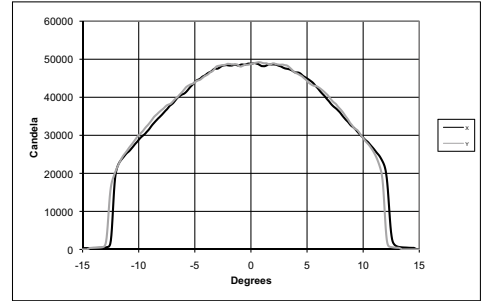
Metric conversions: For meters, multiply feet by 0.3048
 For lux, multiply foot-candles by 10.76



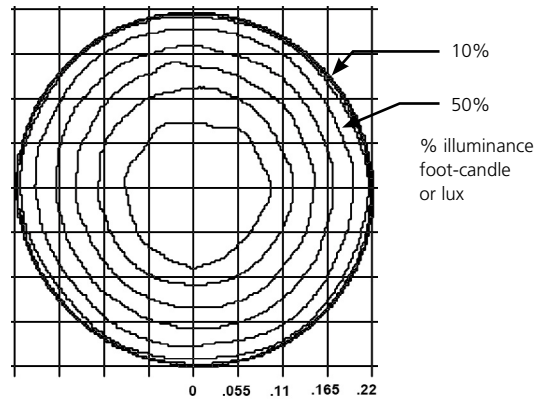
Throw Distance (d)	10'	15'	20'	30'	222.0'
	3.0m	4.6m	6.1m	9.1m	67.7m
Field Diameter	4.6'	6.9'	9.2'	13.8'	-
	1.4m	2.1m	2.8m	4.2m	-
Illuminance (fc)	493	219	123	54.8	
Illuminance (lux)	5,304	2,357	1,326	589	

For field diameter at any distance, multiply distance by 0.460
 For beam diameter at any distance, multiply by 0.401

Candela Plot



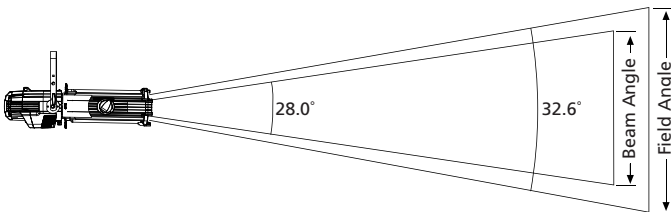
Iso-Illuminance Diagram (Flat Surface Distribution)



Source Four LED Studio HD 15-30° Zoom Wide

Mode	Degree	Candela	Field Lumens	Beam Lumens	Power Consumption	Efficacy (lpw)
Boost Full - Cold	15-30°	32,500	5,160	3,990	128	40.3
Regulated	15-30°	28,574	4,537	3,508	105.2	43.1
Regulated 3200K	15-30°	27,779	4,411	3,410	89.2	49.4
Regulated 5600K	15-30°	23,750	3,771	2,916	85.6	44.1

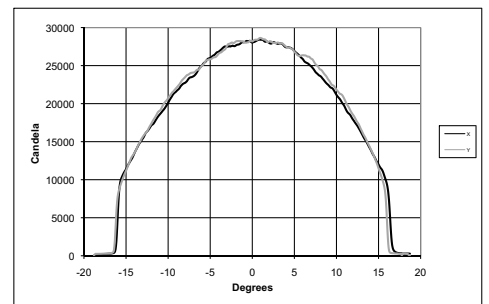
Metric conversions: For meters, multiply feet by 0.3048
 For lux, multiply foot-candles by 10.76



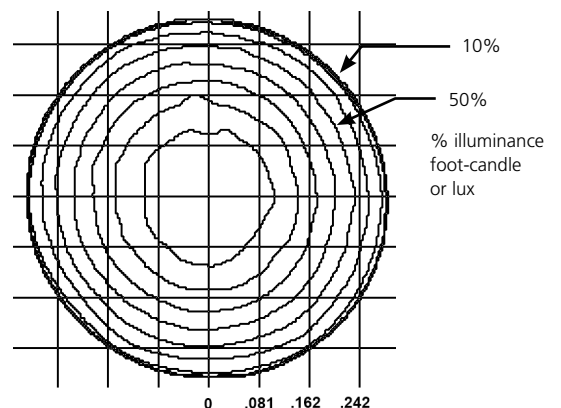
Throw Distance (d)	10'	15'	20'	30'	169.0'
	3.0m	4.6m	6.1m	9.1m	51.5m
Field Diameter	5.8'	8.8'	11.7'	17.5'	-
	1.8m	2.7m	3.6m	5.3m	-
Illuminance (fc)	286	127	71	31.7	
Illuminance (lux)	3,076	1,367	769	342	

For field diameter at any distance, multiply distance by 0.585
 For beam diameter at any distance, multiply by 0.499

Candela Plot



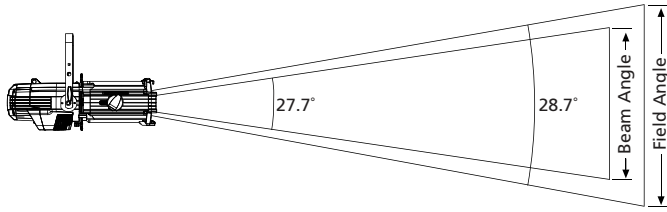
Iso-Illuminance Diagram (Flat Surface Distribution)



Source Four LED Studio HD 25-50° Zoom Narrow

Mode	Degree	Candela	Field Lumens	Beam Lumens	Power Consumption	Efficacy (lpw)
Boost Full - Cold	25-50°	39,800	5,945	5,760	128	46.4
Regulated	25-50°	34,992	5,227	5,064	105.2	49.7
Regulated 3200K	25-50°	34,019	5,081	4,923	89.2	57.0
Regulated 5600K	25-50°	29,085	4,344	4,209	85.6	50.8

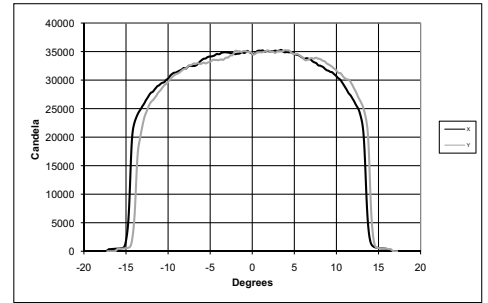
Metric conversions: For meters, multiply feet by 0.3048
For lux, multiply foot-candles by 10.76



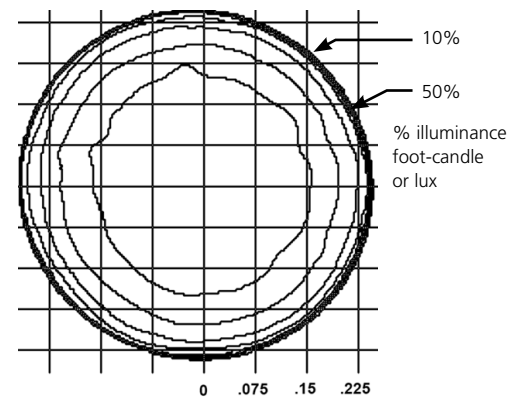
Throw Distance (d)	10'	15'	20'	30'	187.1'
	3.0m	4.6m	6.1m	9.1m	57.0m
Field Diameter	5.1'	7.7'	10.2'	15.3'	-
	1.6m	2.3m	3.1m	4.7m	-
Illuminance (fc)	350	156	87	38.9	-
Illuminance (lux)	3,766	1,674	942	418	-

For field diameter at any distance, multiply distance by 0.512
For beam diameter at any distance, multiply by 0.493

Candela Plot



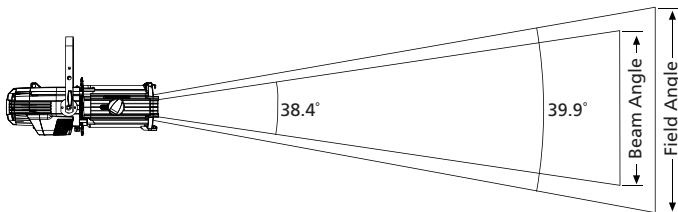
Iso-Illuminance Diagram (Flat Surface Distribution)



Source Four LED Studio HD 25-50° Zoom Mid

Mode	Degree	Candela	Field Lumens	Beam Lumens	Power Consumption	Efficacy (lpw)
Boost Full - Cold	25-50°	22,820	6,344	5,697	128	49.6
Regulated	25-50°	20,063	5,578	5,009	105.2	53.0
Regulated 3200K	25-50°	19,505	5,423	4,870	89.2	60.8
Regulated 5600K	25-50°	16,676	4,636	4,163	85.6	54.2

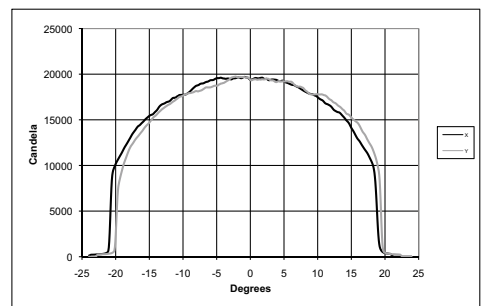
Metric conversions: For meters, multiply feet by 0.3048
For lux, multiply foot-candles by 10.76



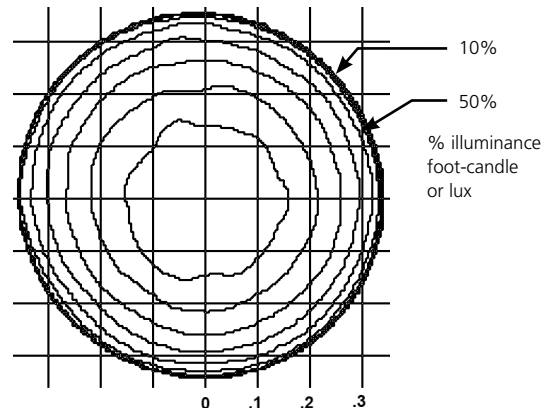
Throw Distance (d)	10'	15'	20'	30'	141.6'
	3.0m	4.6m	6.1m	9.1m	43.2m
Field Diameter	7.3'	10.9'	14.5'	21.8'	-
	2.2m	3.3m	4.4m	6.6m	-
Illuminance (fc)	201	89	50	22.3	-
Illuminance (lux)	2,160	960	540	240	-

For field diameter at any distance, multiply distance by 0.726
For beam diameter at any distance, multiply by 0.696

Candela Plot



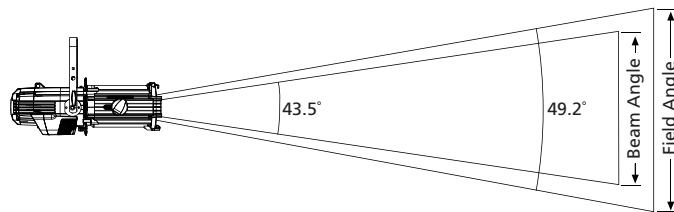
Iso-Illuminance Diagram (Flat Surface Distribution)



Source Four LED Studio HD 25-50° Zoom Wide

Mode	Degree	Candela	Field Lumens	Beam Lumens	Power Consumption	Efficacy (lpw)
Boost Full - Cold	25-50°	16,280	6,140	4,670	128	48.0
Regulated	25-50°	14,313	5,398	4,106	105.2	51.3
Regulated 3200K	25-50°	13,915	5,248	3,992	89.2	58.8
Regulated 5600K	25-50°	11,897	4,487	3,413	85.6	52.4

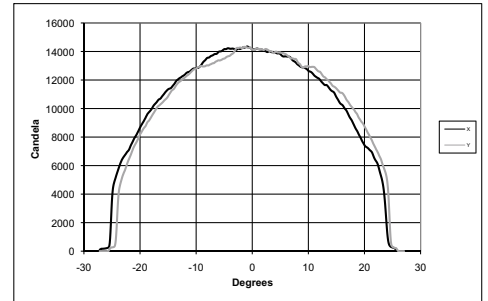
Metric conversions: For meters, multiply feet by .3048
 For lux, multiply foot-candles by 10.76



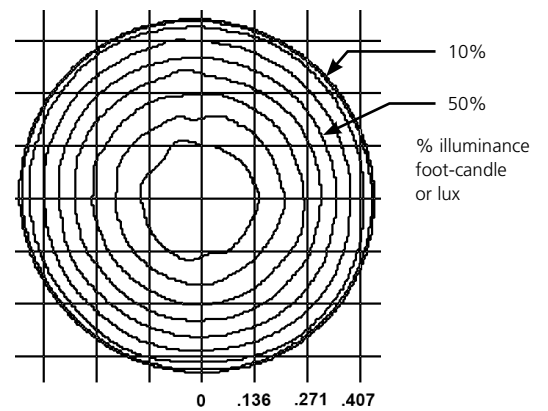
Throw Distance (d)	10'	15'	20'	30'	119.6'
	3.0m	4.6m	6.1m	9.1m	36.5m
Field Diameter	9.2'	13.7'	18.3'	27.5'	-
	2.8m	4.2m	5.6m	8.4m	
Illuminance (fc)	143	64	36	15.9	
Illuminance (lux)	1,541	685	385	171	

For field diameter at any distance, multiply distance by 0.916
 For beam diameter at any distance, multiply by 0.798

Candela Plot



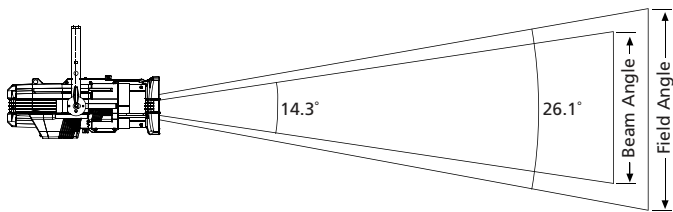
Iso-Illuminance Diagram (Flat Surface Distribution)



Source Four LED Series 2 Lustr with Fresnel Adapter - Spot

Mode	Candela	Field Lumens	Beam Lumens	Power Consumption	Efficacy (lpw)
Boost full	77,870	4,770	2,457	170	28.1
Regulated full	70,660	4,329	2,230	150	28.9
Regulated 3200K	65,380	4,005	2,063	125	32.0
Regulated 5600K	41,460	2,540	1,309	110	23.1

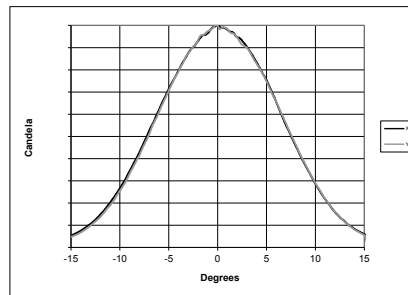
Metric conversions: For meters, multiply feet by 0.3048
For lux, multiply foot-candles by 10.76



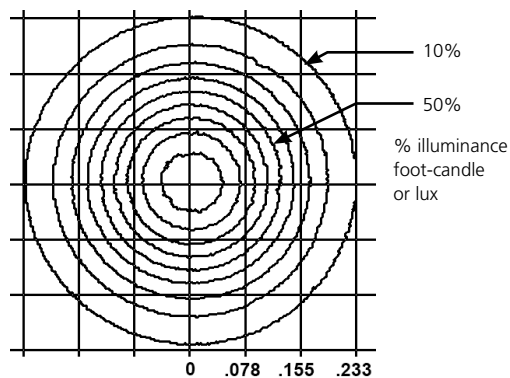
Throw Distance (d)	10'	15'	20'	30'	265.8'
	3.0m	4.6m	6.1m	9.1m	81.0m
Field Diameter	4.6'	7.0'	9.3'	13.9'	-
	1.4m	2.1m	2.8m	4.2m	-
Illuminance (fc)	707	314	177	78.5	1.0
Illuminance (lux)	7,606	3,380	1,901	845	10.76

For field diameter at any distance, multiply distance by 0.464
For beam diameter at any distance, multiply by 0.251

Candela Plot



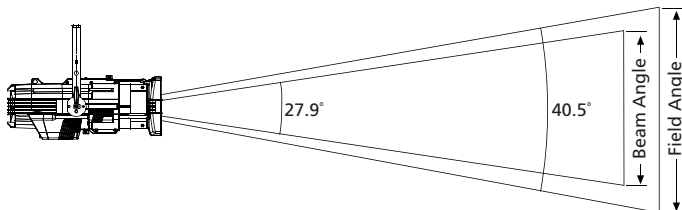
Iso-Illuminance Diagram (Flat Surface Distribution)



Source Four LED Series 2 Lustr with Fresnel Adapter - Mid

Mode	Candela	Field Lumens	Beam Lumens	Power Consumption	Efficacy (lpw)
Boost full	35,590	6,730	4,505	170	39.6
Regulated full	32,300	6,107	4,088	150	40.7
Regulated 3200K	29,880	5,650	3,782	125	45.2
Regulated 5600K	18,950	3,584	2,399	110	32.6

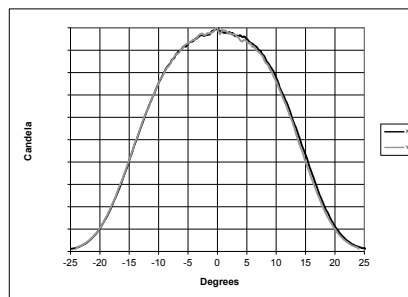
Metric conversions: For meters, multiply feet by 0.3048
For lux, multiply foot-candles by 10.76



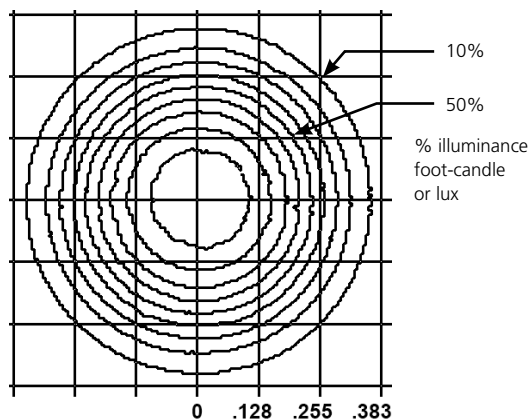
Throw Distance (d)	10'	15'	20'	30'	179.7'
	3.0m	4.6m	6.1m	9.1m	54.8m
Field Diameter	7.4'	11.1'	14.8'	22.1'	-
	2.2m	3.4m	4.5m	6.7m	-
Illuminance (fc)	323	144	81	35.9	1.0
Illuminance (lux)	3,477	1,545	869	386	10.76

For field diameter at any distance, multiply distance by 0.738
For beam diameter at any distance, multiply by 0.497

Candela Plot



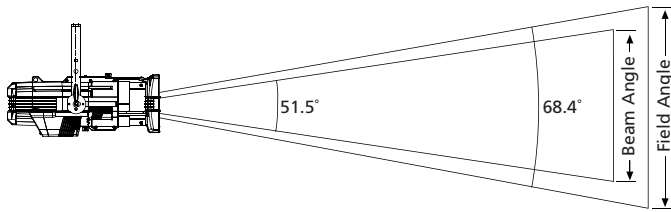
Iso-Illuminance Diagram (Flat Surface Distribution)



Source Four LED Series 2 Lustr with Fresnel Adapter - Flood

Mode	Candela	Field Lumens	Beam Lumens	Power Consumption	Efficacy (lpw)
Boost full	12,070	6,927	4,592	170	40.7
Regulated full	10,960	6,826	4,167	150	45.5
Regulated 3200K	10,140	5,816	3,855	125	46.5
Regulated 5600K	6,430	3,689	2,445	110	33.5

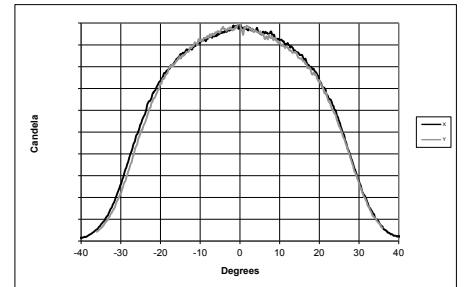
Metric conversions: For meters, multiply feet by 0.3048
 For lux, multiply foot-candles by 10.76



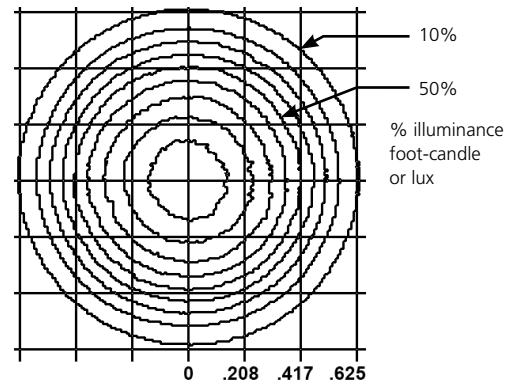
Throw Distance (d)	10'	15'	20'	30'	104.7'
	3.0m	4.6m	6.1m	9.1m	31.9m
Field Diameter	13.6'	20.4'	27.2'	40.8'	-
	4.1m	6.2m	8.3m	12.4m	-
Illuminance (fc)	110	49	27	12.2	1.0
Illuminance (lux)	1,180	524	295	131	10.76

For field diameter at any distance, multiply distance by 1.359
 For beam diameter at any distance, multiply by 0.965

Candela Plot



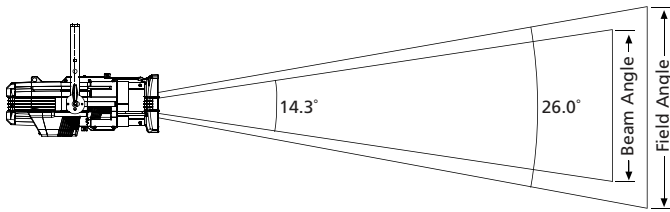
Iso-Illuminance Diagram (Flat Surface Distribution)



Source Four LED Series 2 Daylight HD with Fresnel Adapter - Spot

Mode	Candela	Field Lumens	Beam Lumens	Power Consumption	Efficacy (lpw)
Boost full	139,300	8,514	4,484	248	34.3
Regulated full	124,300	7,596	4,001	233	32.6
Regulated 3200K	71,960	4,398	2,317	122	36.0
Regulated 5600K	118,800	7,263	3,826	221	32.9

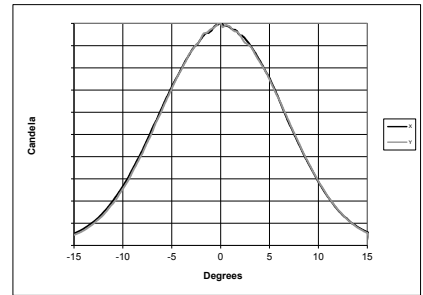
Metric conversions: For meters, multiply feet by 0.3048
For lux, multiply foot-candles by 10.76



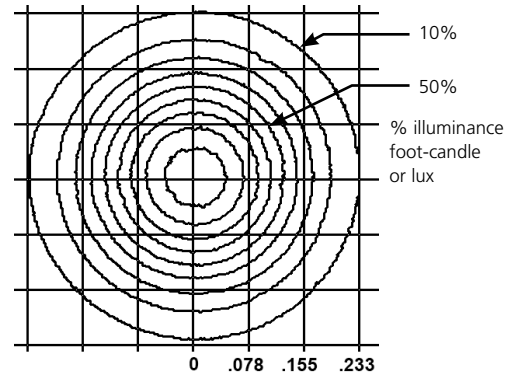
Throw Distance (d)	10'	15'	20'	30'	352.6'
	3.0m	4.6m	6.1m	9.1m	107.5m
Field Diameter	4.6'	6.9'	9.2'	13.9'	-
	1.4m	2.1m	2.8m	4.2m	-
Illuminance (fc)	1,243	552	311	138.1	1.0
Illuminance (lux)	13,380	5,946	3,345	1,487	10.76

For field diameter at any distance, multiply distance by 0.462
For beam diameter at any distance, multiply by 0.251

Candela Plot



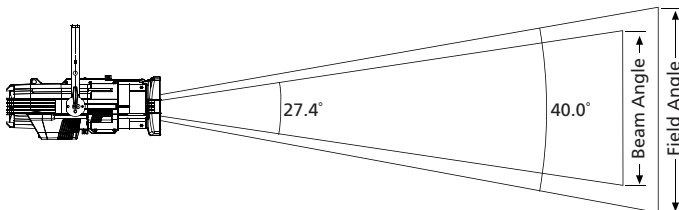
Iso-Illuminance Diagram (Flat Surface Distribution)



Source Four LED Series 2 Daylight HD with Fresnel Adapter - Mid

Mode	Candela	Field Lumens	Beam Lumens	Power Consumption	Efficacy (lpw)
Boost full	64,410	11,797	7,760	248	47.6
Regulated full	57,470	10,525	6,923	233	45.2
Regulated 3200K	33,280	6,094	4,009	122	50.0
Regulated 5600K	54,950	10,063	6,619	221	45.5

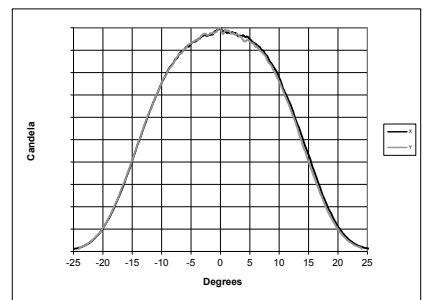
Metric conversions: For meters, multiply feet by 0.3048
For lux, multiply foot-candles by 10.76



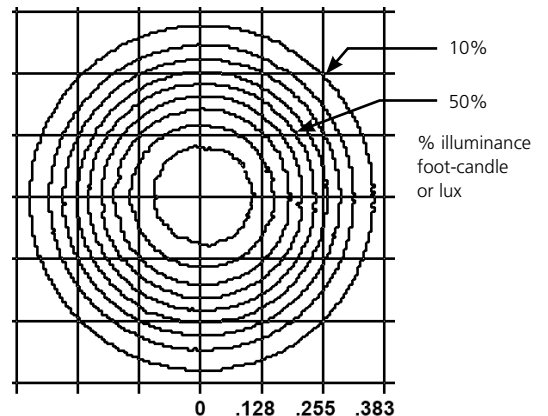
Throw Distance (d)	10'	15'	20'	30'	239.7'
	3.0m	4.6m	6.1m	9.1m	73.1m
Field Diameter	7.3'	10.9'	14.6'	21.8'	-
	2.2m	3.3m	4.4m	6.7m	-
Illuminance (fc)	575	255	144	63.9	1.0
Illuminance (lux)	6,186	2,749	1,547	687	10.76

For field diameter at any distance, multiply distance by 0.728
For beam diameter at any distance, multiply by 0.488

Candela Plot



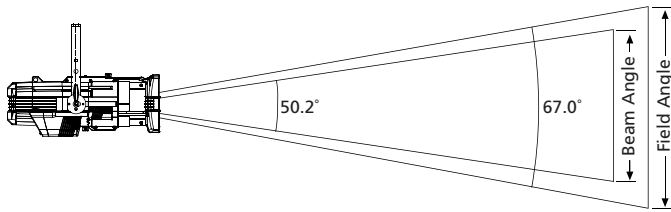
Iso-Illuminance Diagram (Flat Surface Distribution)



Source Four LED Series 2 Daylight HD with Fresnel Adapter - Flood

Mode	Candela	Field Lumens	Beam Lumens	Power Consumption	Efficacy (lpw)
Boost full	22,290	12,191	7,976	248	49.2
Regulated full	19,890	10,877	7,116	233	46.7
Regulated 3200K	11,520	6,298	4,120	122	51.6
Regulated 5600K	19,020	10,400	6,804	221	47.1

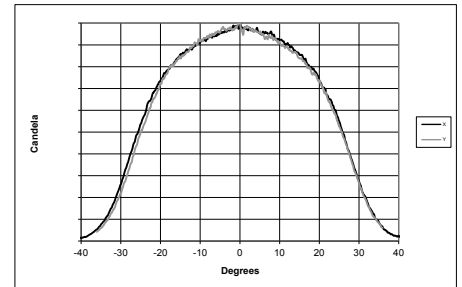
Metric conversions: For meters, multiply feet by 0.3048
 For lux, multiply foot-candles by 10.76



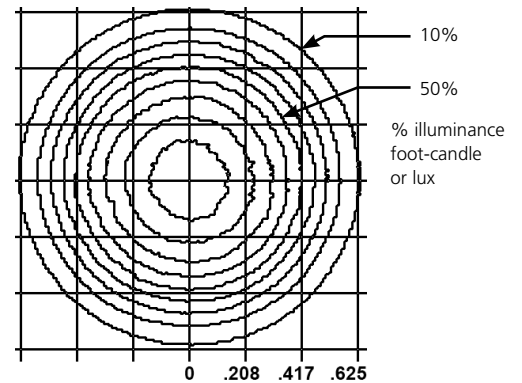
Throw Distance (d)	10'	15'	20'	30'	141.0'
	3.0m	4.6m	6.1m	9.1m	43.0m
Field Diameter	13.2'	19.9'	26.5'	39.7'	-
	4.0m	6.1m	8.1m	12.1m	-
Illuminance (fc)	199	88	50	22.1	1.0
Illuminance (lux)	2,141	952	535	238	10.76

For field diameter at any distance, multiply distance by 1.324
 For beam diameter at any distance, multiply by 0.937

Candela Plot



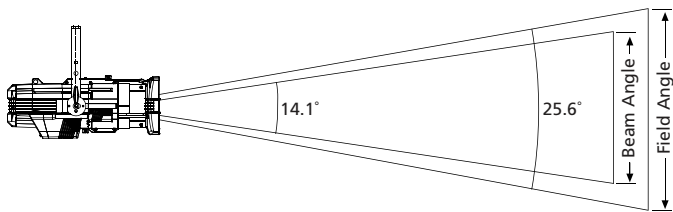
Iso-Illuminance Diagram (Flat Surface Distribution)



Source Four LED Series 2 Tungsten HD with Fresnel Adapter - Spot

Mode	Candela	Field Lumens	Beam Lumens	Power Consumption	Efficacy (lpw)
Boost full	122,700	6,511	3,440	208	31.3
Regulated full	109,475	6,511	3,440	189	34.4
Regulated 3200K	105,886	6,298	3,327	180	34.9
Regulated 5600K	63,855	3,798	2,007	114	33.3

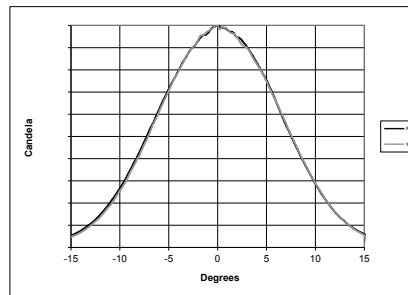
Metric conversions: For meters, multiply feet by 0.3048
For lux, multiply foot-candles by 10.76



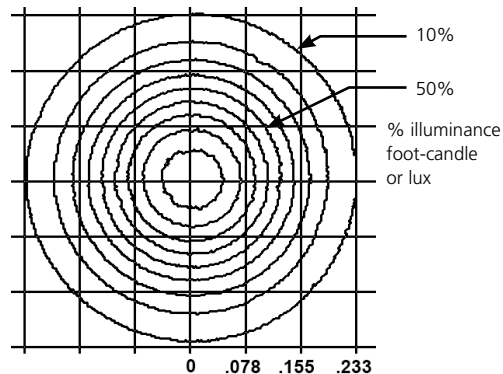
Throw Distance (d)	10'	15'	20'	30'	330.9'
	3.0m	4.6m	6.1m	9.1m	100.9m
Field Diameter	4.5'	6.8'	9.1'	13.6'	-
	1.4m	2.1m	2.8m	4.2m	-
Illuminance (fc)	1,095	487	274	121.7	1.0
Illuminance (lux)	11,786	5,238	2,947	1,310	10.76

For field diameter at any distance, multiply distance by 0.454
For beam diameter at any distance, multiply by 0.247

Candela Plot



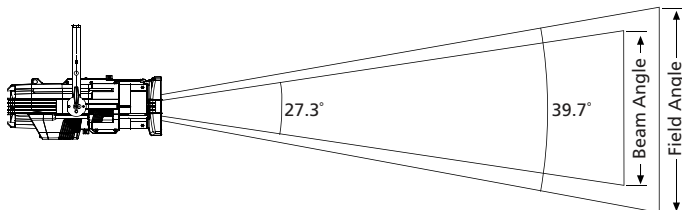
Iso-Illuminance Diagram (Flat Surface Distribution)



Source Four LED Series 2 Tungsten HD with Fresnel Adapter - Mid

Mode	Candela	Field Lumens	Beam Lumens	Power Consumption	Efficacy (lpw)
Boost full	55,140	10,018	6,629	208	48.2
Regulated full	49,210	8,940	5,915	189	47.3
Regulated 3200K	47,590	8,647	5,721	180	48.0
Regulated 5600K	28,700	5,215	3,450	114	45.7

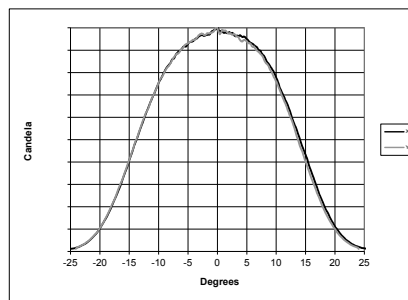
Metric conversions: For meters, multiply feet by 0.3048
For lux, multiply foot-candles by 10.76



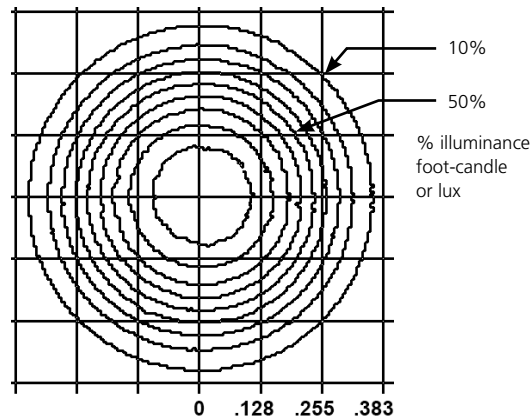
Throw Distance (d)	10'	15'	20'	30'	221.8'
	3.0m	4.6m	6.1m	9.1m	67.6m
Field Diameter	7.2'	10.8'	14.4'	21.7'	-
	2.2m	3.3m	4.4m	6.6m	-
Illuminance (fc)	492	219	123	54.7	1.0
Illuminance (lux)	5,297	2,354	1,324	589	10.76

For field diameter at any distance, multiply distance by 0.722
For beam diameter at any distance, multiply by 0.486

Candela Plot



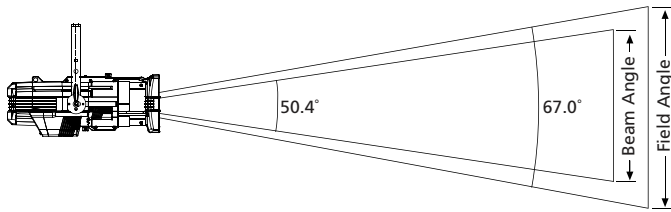
Iso-Illuminance Diagram (Flat Surface Distribution)



Source Four LED Series 2 Tungsten HD with Fresnel Adapter - Flood

Mode	Candela	Field Lumens	Beam Lumens	Power Consumption	Efficacy (lpw)
Boost full	18,910	10,378	6,726	208	49.9
Regulated full	16,870	9,261	6,002	189	49.0
Regulated 3200K	16,320	8,957	5,805	180	49.8
Regulated 5600K	9,840	5,402	3,501	114	47.4

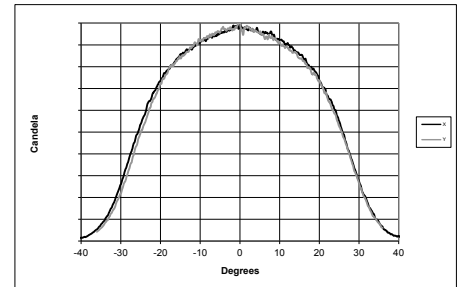
Metric conversions: For meters, multiply feet by 0.3048
 For lux, multiply foot-candles by 10.76



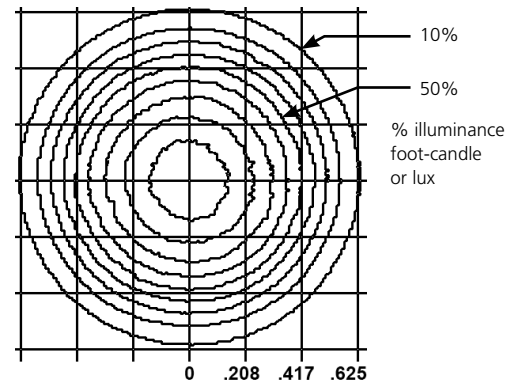
Throw Distance (d)	10'	15'	20'	30'	129.9'
	3.0m	4.6m	6.1m	9.1m	39.6m
Field Diameter	13.2'	19.9'	26.5'	39.7'	-
	4.0m	6.1m	8.1m	12.1m	-
Illuminance (fc)	169	75	42	18.7	1.0
Illuminance (lux)	1,816	807	454	202	10.76

For field diameter at any distance, multiply distance by 1.324
 For beam diameter at any distance, multiply by 0.941

Candela Plot



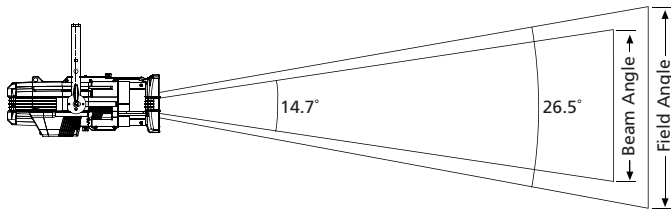
Iso-Illuminance Diagram (Flat Surface Distribution)



Source Four LED Series 1 Lustr+ with Fresnel Adapter - Spot

Mode	Candela	Field Lumens	Beam Lumens	Power Consumption	Efficacy (lpw)
Boost full	53,390	3,402	1,738	129	26.4
Regulated full	48,980	3,122	1,595	119	26.2
Regulated 3200K	36,550	2,329	1,190	73	31.9
Regulated 5600K	30,380	1,936	989	67	28.9

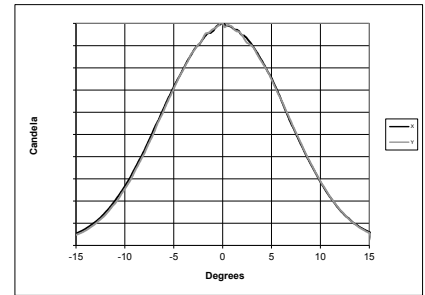
Metric conversions: For meters, multiply feet by 0.3048
For lux, multiply foot-candles by 10.76



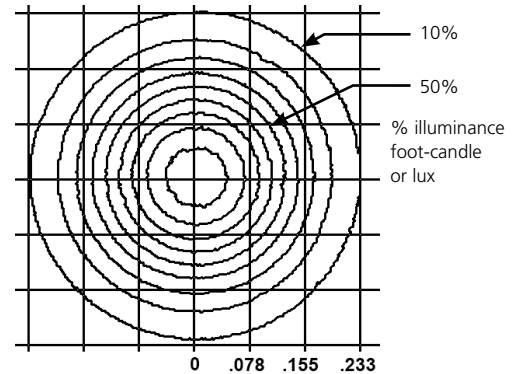
Throw Distance (d)	10'	15'	20'	30'	221.3'
	3.0m	4.6m	6.1m	9.1m	67.5m
Field Diameter	4.7'	7.1'	9.4'	14.1'	-
	1.4m	2.2m	2.9m	4.3m	-
Illuminance (fc)	490	218	122	54.4	1.0
Illuminance (lux)	5,272	2,343	1,318	586	10.76

For field diameter at any distance, multiply distance by 0.471
For beam diameter at any distance, multiply by 0.258

Candela Plot



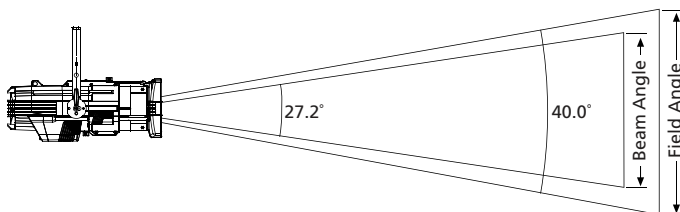
Iso-Illuminance Diagram (Flat Surface Distribution)



Source Four LED Series 1 Lustr+ with Fresnel Adapter - Mid

Mode	Candela	Field Lumens	Beam Lumens	Power Consumption	Efficacy (lpw)
Boost full	25,930	4,741	3,129	129	36.8
Regulated full	23,800	4,350	2,871	119	36.6
Regulated 3200K	17,750	3,245	2,142	73	44.5
Regulated 5600K	14,760	2,698	1,781	67	40.3

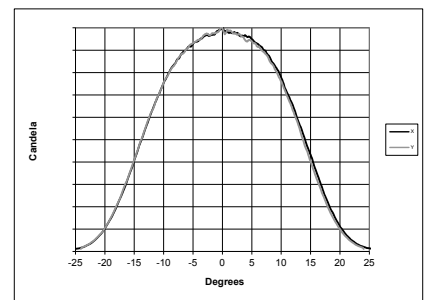
Metric conversions: For meters, multiply feet by 0.3048
For lux, multiply foot-candles by 10.76



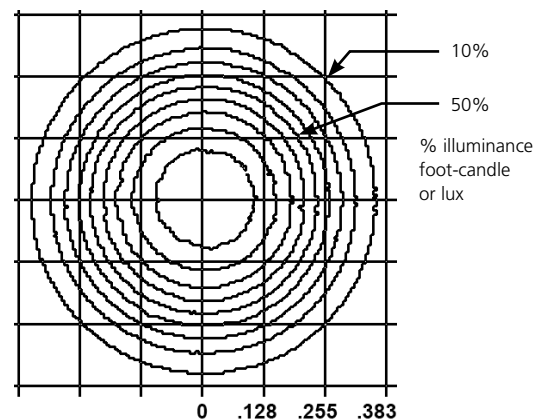
Throw Distance (d)	10'	15'	20'	30'	154.3'
	3.0m	4.6m	6.1m	9.1m	47.0m
Field Diameter	7.3'	10.9'	14.6'	21.8'	-
	2.2m	3.3m	4.4m	6.7m	-
Illuminance (fc)	238	106	60	26.4	1.0
Illuminance (lux)	2,562	1,139	640	285	10.76

For field diameter at any distance, multiply distance by 0.728
For beam diameter at any distance, multiply by 0.484

Candela Plot



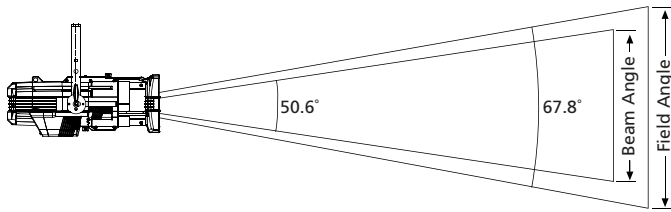
Iso-Illuminance Diagram (Flat Surface Distribution)



Source Four LED Series 1 Lustr+ with Fresnel Adapter - Flood

Mode	Candela	Field Lumens	Beam Lumens	Power Consumption	Efficacy (lpw)
Boost full	8,830	4,892	3,106	129	37.9
Regulated full	8,100	4,489	2,850	119	37.7
Regulated 3200K	6,040	3,349	2,126	73	45.9
Regulated 5600K	5,020	2,784	1,768	67	41.6

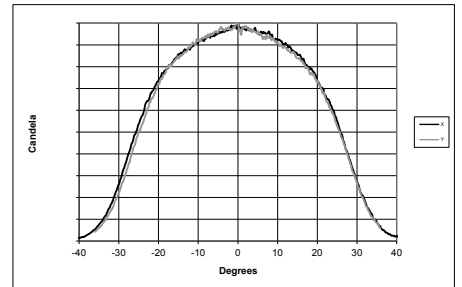
Metric conversions: For meters, multiply feet by 0.3048
 For lux, multiply foot-candles by 10.76



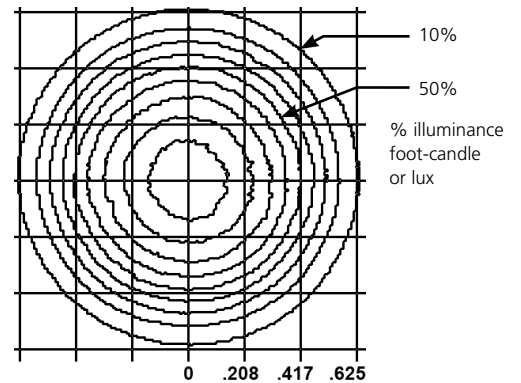
Throw Distance (d)	10'	15'	20'	30'	90.0'
	3.0m	4.6m	6.1m	9.1m	27.4m
Field Diameter	13.4'	20.2'	26.9'	40.3'	-
	4.1m	6.1m	8.2m	12.3m	-
Illuminance (fc)	81	36	20	9.0	1.0
Illuminance (lux)	872	388	218	97	10.76

For field diameter at any distance, multiply distance by 1.344
 For beam diameter at any distance, multiply by 0.945

Candela Plot



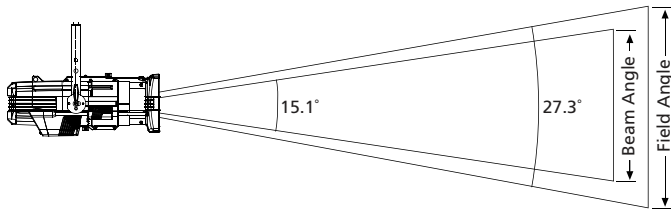
Iso-Illuminance Diagram (Flat Surface Distribution)



Source Four LED Series 1 Daylight with Fresnel Adapter - Spot

Mode	Candela	Field Lumens	Beam Lumens	Power Consumption	Efficacy (lpw)
Boost full	86,640	5,522	2,821	146	37.8
Regulated full	81,510	5,195	2,654	138	37.6

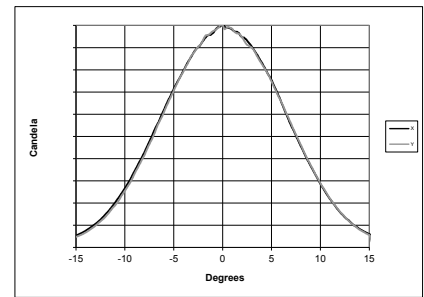
Metric conversions: For meters, multiply feet by 0.3048
For lux, multiply foot-candles by 10.76



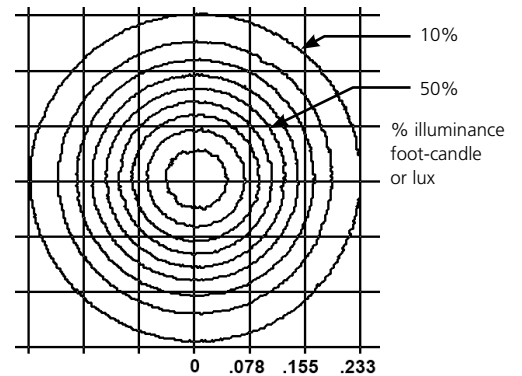
Throw Distance (d)	10'	15'	20'	30'	285.5'
	3.0m	4.6m	6.1m	9.1m	87.0m
Field Diameter	4.9'	7.3'	9.7'	14.6'	-
	1.5m	2.2m	3.0m	4.4m	-
Illuminance (fc)	815	362	204	90.6	1.0
Illuminance (lux)	8,774	3,899	2,193	975	10.76

For field diameter at any distance, multiply distance by 0.486
For beam diameter at any distance, multiply by 0.265

Candela Plot



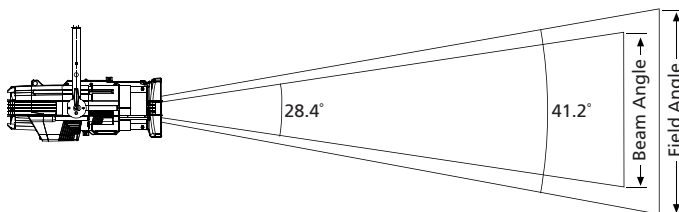
Iso-Illuminance Diagram (Flat Surface Distribution)



Source Four LED Series 1 Daylight with Fresnel Adapter - Mid

Mode	Candela	Field Lumens	Beam Lumens	Power Consumption	Efficacy (lpw)
Boost full	42,090	7,694	5,078	146	52.7
Regulated full	39,600	7,239	4,777	138	52.5

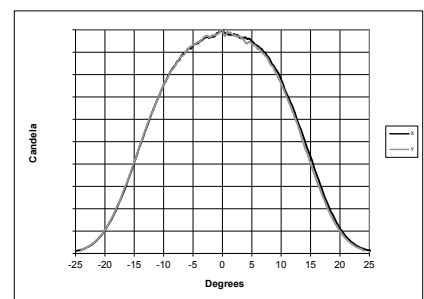
Metric conversions: For meters, multiply feet by 0.3048
For lux, multiply foot-candles by 10.76



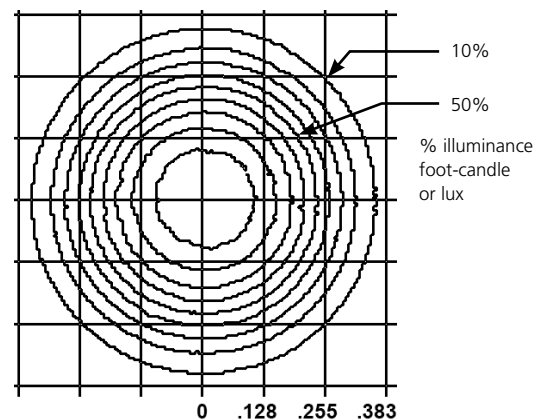
Throw Distance (d)	10'	15'	20'	30'	199.0'
	3.0m	4.6m	6.1m	9.1m	60.7m
Field Diameter	7.5'	11.3'	15.0'	22.6'	-
	2.3m	3.4m	4.6m	6.9m	-
Illuminance (fc)	396	176	99	44.0	1.0
Illuminance (lux)	4,263	1,894	1,066	474	10.76

For field diameter at any distance, multiply distance by 0.752
For beam diameter at any distance, multiply by 0.506

Candela Plot



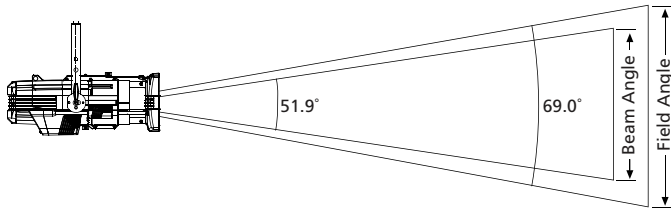
Iso-Illuminance Diagram (Flat Surface Distribution)



Source Four LED Series 1 Daylight with Fresnel Adapter - Flood

Mode	Candela	Field Lumens	Beam Lumens	Power Consumption	Efficacy (lpw)
Boost full	14,330	7,940	5,041	146	54.4
Regulated full	13,480	7,470	4,743	138	54.1

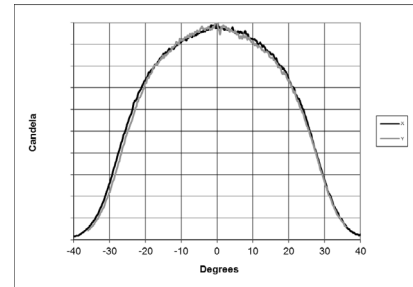
Metric conversions: For meters, multiply feet by 0.3048
 For lux, multiply foot-candles by 10.76



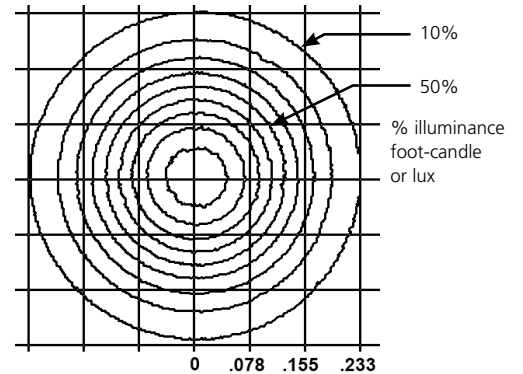
Throw Distance (d)	10'	15'	20'	30'	116.1'
	3.0m	4.6m	6.1m	9.1m	35.4m
Field Diameter	13.7'	20.6'	27.5'	41.2'	-
	4.2m	6.3m	8.4m	12.6m	-
Illuminance (fc)	135	60	34	15.0	1.0
Illuminance (lux)	1,451	645	363	161	10.76

For field diameter at any distance, multiply distance by 1.375
 For beam diameter at any distance, multiply by 0.973

Candela Plot



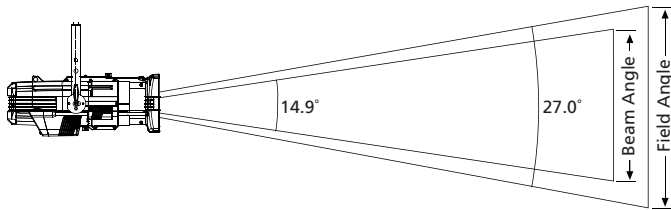
Iso-Illuminance Diagram (Flat Surface Distribution)



Source Four LED Series 1 Tungsten with Fresnel Adapter - Spot

Mode	Candela	Field Lumens	Beam Lumens	Power Consumption	Efficacy (lpw)
Boost full	63,900	4,229	2,198	148	28.6
Regulated full	61,050	4,040	2,101	142	28.5

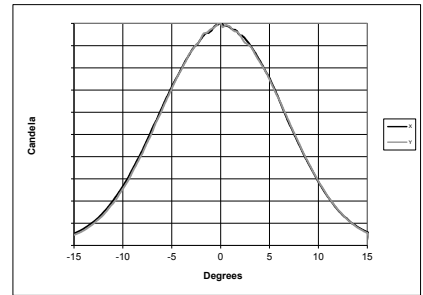
Metric conversions: For meters, multiply feet by 0.3048
For lux, multiply foot-candles by 10.76



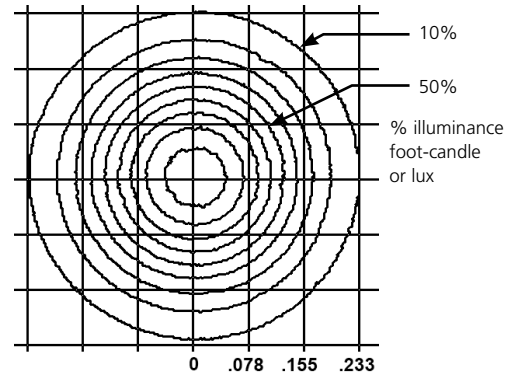
Throw Distance (d)	10'	15'	20'	30'	247.1'
	3.0m	4.6m	6.1m	9.1m	75.3m
Field Diameter	4.8'	7.2'	9.6'	14.4'	-
	1.5m	2.2m	2.9m	4.4m	-
Illuminance (fc)	611	271	153	67.8	1.0
Illuminance (lux)	6,571	2,921	1,643	730	10.76

For field diameter at any distance, multiply distance by 0.480
For beam diameter at any distance, multiply by 0.262

Candela Plot



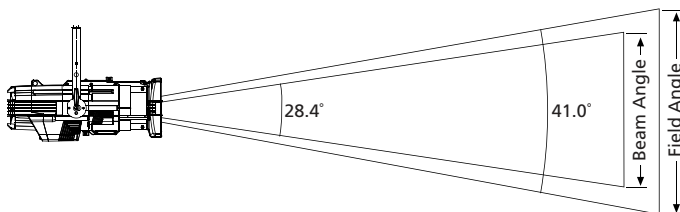
Iso-Illuminance Diagram (Flat Surface Distribution)



Source Four LED Series 1 Tungsten with Fresnel Adapter - Mid

Mode	Candela	Field Lumens	Beam Lumens	Power Consumption	Efficacy (lpw)
Boost full	30,560	6,006	4,003	148	40.6
Regulated full	29,200	5,738	3,825	142	40.4

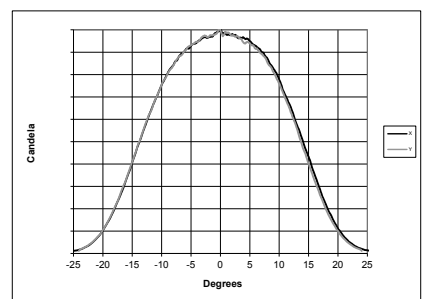
Metric conversions: For meters, multiply feet by 0.3048
For lux, multiply foot-candles by 10.76



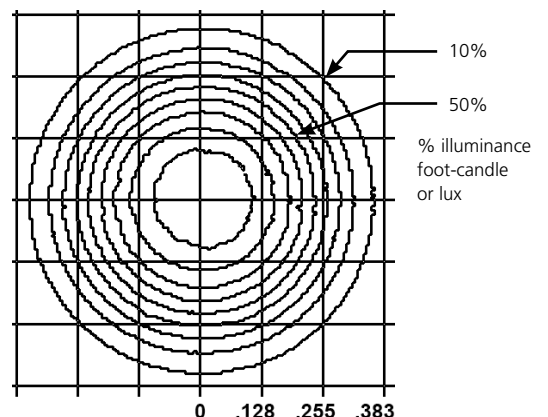
Throw Distance (d)	10'	15'	20'	30'	170.9'
	3.0m	4.6m	6.1m	9.1m	52.1m
Field Diameter	7.5'	11.2'	15.0'	22.4'	-
	2.3m	3.4m	4.6m	6.8m	-
Illuminance (fc)	292	130	73	32.4	1.0
Illuminance (lux)	3,143	1,397	786	349	10.76

For field diameter at any distance, multiply distance by 0.748
For beam diameter at any distance, multiply by 0.506

Candela Plot



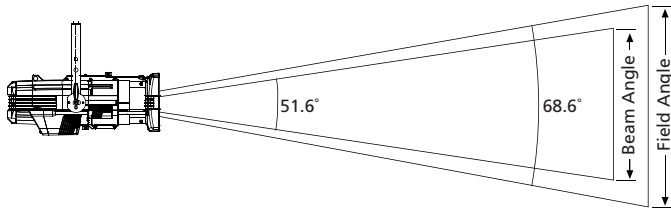
Iso-Illuminance Diagram (Flat Surface Distribution)



Source Four LED Series 1 Tungsten with Fresnel Adapter - Flood

Mode	Candela	Field Lumens	Beam Lumens	Power Consumption	Efficacy (lpw)
Boost full	10,900	6,210	4,042	148	42.0
Regulated full	10,410	5,933	3,862	142	41.8

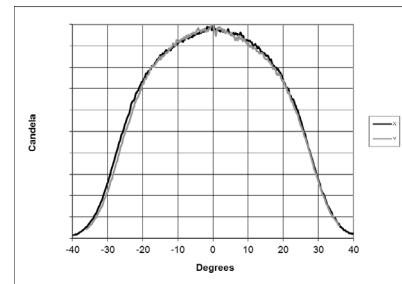
Metric conversions: For meters, multiply feet by 0.3048
 For lux, multiply foot-candles by 10.76



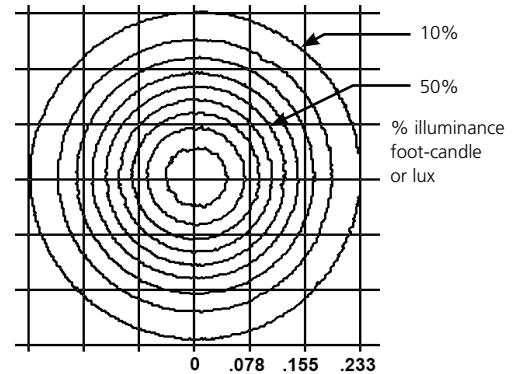
Throw Distance (d)	10'	15'	20'	30'	102.0'
	3.0m	4.6m	6.1m	9.1m	31.1m
Field Diameter	13.4'	20.2'	26.9'	40.3'	-
	4.1m	6.1m	8.2m	12.3m	-
Illuminance (fc)	104	46	26	11.6	1.0
Illuminance (lux)	1,121	498	280	125	10.76

For field diameter at any distance, multiply distance by 1.344
 For beam diameter at any distance, multiply by 0.945

Candela Plot



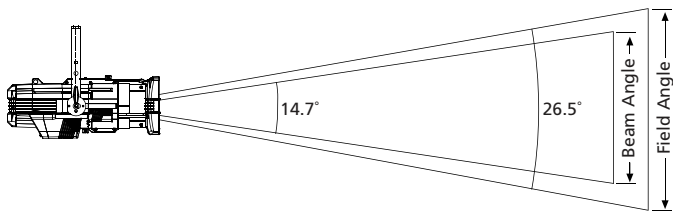
Iso-Illuminance Diagram (Flat Surface Distribution)



Source Four LED Series 1 Studio HD with Fresnel Adapter - Spot

Mode	Candela	Field Lumens	Beam Lumens	Power Consumption	Efficacy (lpw)
Boost full	71,690	4,580	2,359	118	38.8
Regulated full	63,030	4,027	2,074	108	37.3
Regulated 3200K	61,270	3,915	2,016	89	44.0
Regulated 5600K	52,380	3,347	1,724	86	38.9

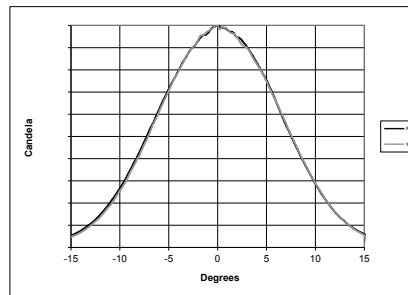
Metric conversions: For meters, multiply feet by 0.3048
For lux, multiply foot-candles by 10.76



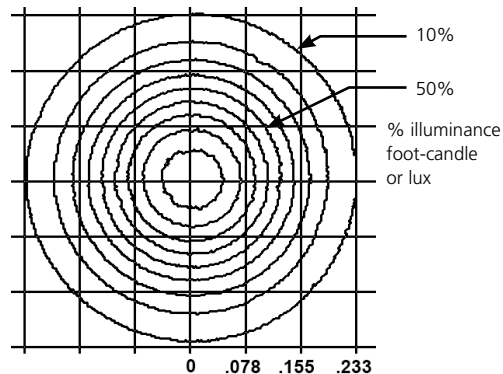
Throw Distance (d)	10'	15'	20'	30'	251.1'
	3.0m	4.6m	6.1m	9.1m	76.5m
Field Diameter	4.7'	7.1'	9.4'	14.1'	-
	1.4m	2.2m	2.9m	4.3m	-
Illuminance (fc)	630	280	158	70.0	1.0
Illuminance (lux)	6,784	3,015	1,696	754	10.76

For field diameter at any distance, multiply distance by 0.471
For beam diameter at any distance, multiply by 0.258

Candela Plot



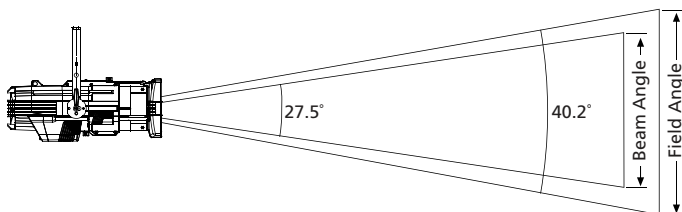
Iso-Illuminance Diagram (Flat Surface Distribution)



Source Four LED Series 1 Studio HD with Fresnel Adapter - Mid

Mode	Candela	Field Lumens	Beam Lumens	Power Consumption	Efficacy (lpw)
Boost full	34,350	6,349	4,106	118	53.8
Regulated full	30,200	5,582	3,610	108	51.7
Regulated 3200K	29,360	5,427	3,510	89	61.0
Regulated 5600K	25,100	4,639	3,000	86	53.9

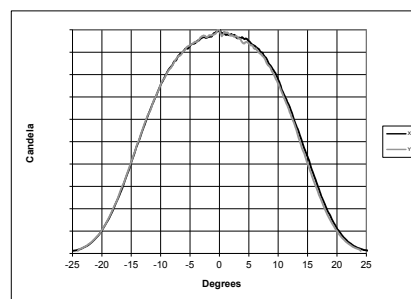
Metric conversions: For meters, multiply feet by 0.3048
For lux, multiply foot-candles by 10.76



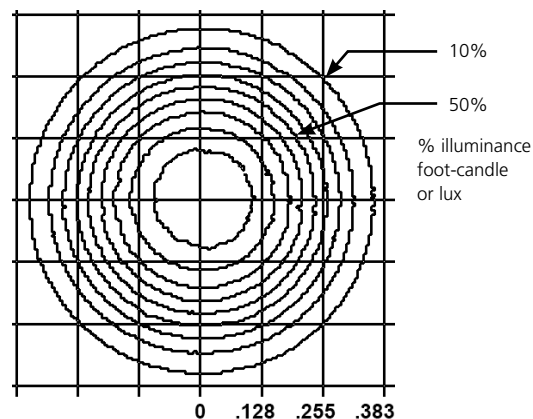
Throw Distance (d)	10'	15'	20'	30'	173.8'
	3.0m	4.6m	6.1m	9.1m	53.0m
Field Diameter	7.3'	11.0'	14.6'	22.0'	-
	2.2m	3.3m	4.5m	6.7m	-
Illuminance (fc)	302	134	76	33.6	1.0
Illuminance (lux)	3,251	1,445	813	361	10.76

For field diameter at any distance, multiply distance by 0.732
For beam diameter at any distance, multiply by 0.489

Candela Plot



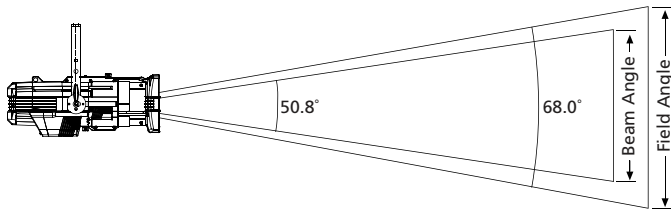
Iso-Illuminance Diagram (Flat Surface Distribution)



Source Four LED Series 1 Studio HD with Fresnel Adapter - Flood

Mode	Candela	Field Lumens	Beam Lumens	Power Consumption	Efficacy (lpw)
Boost full	11,780	6,576	4,304	118	55.7
Regulated full	10,360	5,781	3,784	108	53.5
Regulated 3200K	10,070	5,620	3,679	89	63.1
Regulated 5600K	8,608	4,805	3,145	86	55.9

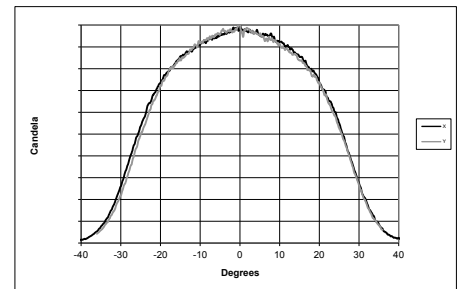
Metric conversions: For meters, multiply feet by 0.3048
 For lux, multiply foot-candles by 10.76



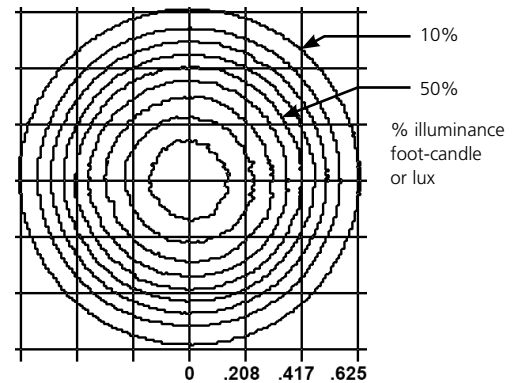
Throw Distance (d)	10'	15'	20'	30'	101.8'
	3.0m	4.6m	6.1m	9.1m	31.0m
Field Diameter	13.5'	20.2'	27.0'	40.5'	-
	4.1m	6.2m	8.2m	12.3m	-
Illuminance (fc)	104	46	26	11.5	1.0
Illuminance (lux)	1,115	496	279	124	10.76

For field diameter at any distance, multiply distance by 1.349
 For beam diameter at any distance, multiply by 0.950

Candela Plot



Iso-Illuminance Diagram (Flat Surface Distribution)



Corporate Headquarters • 3031 Pleasant View Rd, PO Box 620979, Middleton WI 53562 0979 USA • Tel +1 608 831 4116 • Fax +1 608 836 1736
London, UK • Unit 26-28, Victoria Industrial Estate, Victoria Road, London W3 6UU, UK • Tel +44 (0)20 8896 1000 • Fax +44 (0)20 8896 2000
Rome, IT • Via Pieve Torina, 48, 00156 Rome, Italy • Tel +39 (06) 32 111 683 • Fax +44 (0)20 8752 8486
Holzkirchen, DE • Ohmstrasse 3, 83607 Holzkirchen, Germany • Tel +49 (80 24) 47 00-0 • Fax +49 (80 24) 47 00-3 00
Hong Kong • Room 1801, 18/F, Tower 1 Phase 1, Enterprise Square, 9 Sheung Yuet Road, Kowloon Bay, Kowloon, Hong Kong • Tel +852 2799 1220 • Fax +852 2799 9325
Web • www.etcconnect.com • Copyright©2016 ETC. All Rights Reserved. All product information and specifications subject to change. 7460L1003 Rev. F USA 08/2015
 US and International patents pending