

PROTEUS HYBRID™

user manual

ELATION | PROTEUS HYBRID | user manual

©2018 ELATION PROFESSIONAL all rights reserved. Information, specifications, diagrams, images, and instructions herein are subject to change without notice. ELATION PROFESSIONAL logo and identifying product names and numbers herein are trademarks of ELATION PROFESSIONAL. Copyright protection claimed includes all forms and matters of copyrightable materials and information now allowed by statutory or judicial law or hereinafter granted. Product names used in this document may be trademarks or registered trademarks of their respective companies and are hereby acknowledged. All non-ELATION brands and product names are trademarks or registered trademarks of their respective companies.

**ELATION PROFESSIONAL** and all affiliated companies hereby disclaim any and all liabilities for property, equipment, building, and electrical damages, injuries to any persons, and direct or indirect economic loss associated with the use or reliance of any information contained within this document, and/or as a result of the improper, unsafe, insufficient and negligent assembly, installation, rigging, and operation of this product.

**Elation Professional USA** | 6122 S. Eastern Ave. | Los Angeles, CA. 90040

323-582-3322 | 323-832-9142 fax | [www.elationlighting.com](http://www.elationlighting.com) | [info@elationlighting.com](mailto:info@elationlighting.com)

**Elation Professional B.V.** | Junostraat 2 | 6468 EW Kerkrade, The Netherlands

+31 45 546 85 66 | +31 45 546 85 96 fax | [www.elationlighting.eu](http://www.elationlighting.eu) | [info@elationlighting.eu](mailto:info@elationlighting.eu)

**Elation Professional Mexico** | AV Santa Ana 30 | Parque Industrial Lerma, Lerma, Mexico 52000

+52 (728) 282-7070 | [ventas@elationlighting.com](mailto:ventas@elationlighting.com)

## DOCUMENT VERSION

**Due to additional product features and/or enhancements, an updated version of this document may be available online.**

**Please check [www.elationlighting.com](http://www.elationlighting.com) for the latest revision/update of this manual, before beginning installation and/or programming.**

Date	Document Version	Software Version ≥	DMX Channel Modes	Notes
07/07/17	1	1.3.1A	24 / 26 / 37	Initial release.
08/17/17	1.2	N/C	N/C	Updated error codes, rigging illustration.
12/03/17	1.4	N/C	N/C	Updated installation, E-Fly, and gobo sections.
01/03/18	1.6	1.6.0	N/C	Updated System Menus, added Movement and Focus Zoom Speed controls.
07/27/18	1.8	1.62	N/C	Added dimming curves to DMX channels 24/26/37.
08/15/18	1.9	N/C	N/C	Added POTENTIAL INTERNAL FIXTURE DAMAGE FROM EXTERNAL SOURCES OF LIGHT BEAMS section.
9/24/18	2.0	1.64	N/C	Updated LAMP CONTROL system menu.
11/25/18	2.2	N/C	N/C	Added LAMP and GOBO replacement instructions.

# CONTENTS

General Information	4
Limited Warranty (USA Only)	6
Safety Guidelines	7
Discharge Lamp Warning	9
Overview	10
Lamp Installation	11
Gobo Installation	18
Fixture Installation	27
System Menu	32
E-FLY Wireless DMX Set Up	38
DMX Channel Functions And Values	40
Error Codes	48
Maintenance	53
Specifications	54
Optional Accessories	57

# GENERAL INFORMATION

## INTRODUCTION

This fixture has been designed to perform reliably for years when the guidelines in this booklet are followed. Please read and understand the instructions in this manual carefully and thoroughly before attempting to operate this unit. These instructions contain important information regarding safety during use and maintenance.

## IP65 RATED

An IP rated lighting fixture is one, which is commonly installed in outdoor environments and has been designed with an enclosure that effectively protects the ingress (entry) of external foreign objects such as dust and water. The **International Protection (IP)** rating system is commonly expressed as "**IP**" (Ingress Protection) followed by two numbers (i.e. IP65) where the numbers define the degree of protection. The first digit (Foreign Bodies Protection) indicates the extent of protection against particles entering the fixture and the second digit (Water Protection) indicates the extent of protection against water entering the fixture.

An **IP65** rated lighting fixture is one that has been designed and tested to protect against the ingress of dust **(6)** and high-pressure water jets from any direction **(5)**.



**ENSURE ALL CONNECTIONS AND END CAPS ARE PROPERLY SEALED WITH A DIELECTRIC GREASE (AVAILABLE AT MOST ELECTRICAL SUPPLIERS) TO PREVENT WATER CORROSION AND/OR ELECTRICAL SHORT CIRCUIT.**

## UNPACKING

Every fixture has been thoroughly tested and has been shipped in perfect operating condition. Carefully check the shipping carton for damage that may have occurred during shipping. If the carton appears to be damaged, carefully inspect your unit for damage and be sure all accessories necessary to operate the unit have arrived intact. In the event damage has been found or parts are missing, please contact our customer support team for further instructions. Please do not return this unit to your dealer without first contacting customer support at the number listed below. Please do not discard the shipping carton in the trash. Please recycle whenever possible.

## BOX CONTENTS

- (1) powerCON TRUE1 Cable
- (1) IP Rated 5pin DMX Cable
- (1) IP Rated etherCON Cable
- (1) Safety Cable
- (2) Omega Brackets

## **CUSTOMER SUPPORT**

Contact ELATION Service for any product related service and support needs.  
Also visit [forums.elationlighting.com](https://forums.elationlighting.com) with questions, comments or suggestions.

**ELATION SERVICE USA - Monday - Friday 8:00am to 4:30pm PST**

**323-582-3322 | Fax 323-832-9142 | [support@elationlighting.com](mailto:support@elationlighting.com)**

**ELATION SERVICE EUROPE - Monday - Friday 08:30 to 17:00 CET**

**+31 45 546 85 63 | Fax +31 45 546 85 96 | [support@elationlighting.eu](mailto:support@elationlighting.eu)**

**REPLACEMENT PARTS** please visit [parts.elationlighting.com](https://parts.elationlighting.com)



## **I M P O R T A N T   N O T I C E !**

**THIS FIXTURE CAN ONLY BE SERVICED BY AN AUTHORIZED ELATION TRAINED PROTEUS HYBRID SERVICE TECHNICIAN. THERE ARE NO END USER SERVICEABLE PARTS, DO NOT ATTEMPT ANY REPAIRS WITHOUT BEING AUTHORIZED; DOING SO WILL VOID THE MANUFACTURER WARRANTY. DAMAGES OR ANY REPAIRS RESULTING FROM MODIFICATIONS TO THIS FIXTURE AND/OR DISREGARD OF THE SAFETY INSTRUCTIONS AND OPERATION GUIDELINES IN THIS USER MANUAL VOIDS THE MANUFACTURER WARRANTY AND ARE NOT SUBJECT TO ANY WARRANTY CLAIMS AND/OR REPAIRS.**

## **LIMITED WARRANTY (USA ONLY)**

A. Elation Professional hereby warrants, to the original purchaser, Elation Professional products to be free of manufacturing defects in material and workmanship for a period of two years (730 days), and Elation Professional product rechargeable batteries to be free of manufacturing defects in material and workmanship for a period of six months (180 days), from the original date of purchase. This warranty excludes discharge lamps and all product accessories. This warranty shall be valid only if the product is purchased within the United States of America, including possessions and territories. It is the owner's responsibility to establish the date and place of purchase by acceptable evidence, at the time service is sought. B. For warranty service, send the product only to the Elation Professional factory. All shipping charges must be pre-paid. If the requested repairs or service (including parts replacement) are within the terms of this warranty, Elation Professional will pay return shipping charges only to a designated point within the United States. If any product is sent, it must be shipped in its original package and packaging material. No accessories should be shipped with the product. If any accessories are shipped with the product, Elation Professional shall have no liability what so ever for loss and/or or damage to any such accessories, nor for the safe return thereof. C. This warranty is void if the product serial number and/or labels are altered or removed; if the product is modified in any manner which Elation Professional concludes, after inspection, affects the reliability of the product; if the product has been repaired or serviced by anyone other than the Elation Professional factory unless prior written authorization was issued to purchaser by Elation Professional; if the product is damaged because not properly maintained as set forth in the product instructions, guidelines and/or user manual. D. This is not a service contract, and this warranty does not include any maintenance, cleaning or periodic check-up. During the periods as specified above, Elation Professional will replace defective parts at its expense, and will absorb all expenses for warranty service and repair labor by reason of defects in material or workmanship. The sole responsibility of Elation Professional under this warranty shall be limited to the repair of the product, or replacement thereof, including parts, at the sole discretion of Elation Professional. All products covered by this warranty were manufactured after January 1, 1990, and bare identifying marks to that effect. E. Elation Professional reserves the right to make changes in design and/or performance improvements upon its products without any obligation to include these changes in any products theretofore manufactured. F. No warranty, whether expressed or implied, is given or made with respect to any accessory supplied with the products described above. Except to the extent prohibited by applicable law, all implied warranties made by Elation Professional in connection with this product, including warranties of merchantability or fitness, are limited in duration to the warranty periods set forth above. And no warranties, whether expressed or implied, including warranties of merchantability or fitness, shall apply to this product after said periods have expired. The consumer's and/or dealer's sole remedy shall be such repair or replacement as is expressly provided above; and under no circumstances shall Elation Professional be liable for any loss and/or damage, direct and/or consequential, arising out of the use of, and/or the inability to use, this product. G. This warranty is the only written warranty applicable to Elation Professional products and supersedes all prior warranties and written descriptions of warranty terms and conditions heretofore published.

### **WARRANTY RETURNS**

All returned service items whether under warranty or not, must be freight pre-paid and accompany a return authorization (R.A.) number. The R.A. number must be clearly written on the outside of the return package. A brief description of the problem as well as the R.A. number must also be written down on a piece of paper and included in the shipping container. If the unit is under warranty, you must provide a copy of your proof of purchase invoice. Items returned without a R.A. number clearly marked on the outside of the package will be refused and returned at customer's expense. You may obtain a R.A. number by contacting customer support.

# SAFETY GUIDELINES

To guarantee a smooth operation, it is important to follow all instructions and guidelines in this manual. Elation Professional is not responsible for injury and/or damages resulting from the misuse of this fixture due to the disregard of the information printed in this manual. Only qualified and/or certified personnel should perform installation of this fixture and only the original rigging parts included with this fixture should be used for installation. Any modifications to the fixture and/or the included mounting hardware will void the original manufactures warranty and increase the risk of damage and/or personal injury.



## **PROTECTION CLASS 1 - FIXTURE MUST BE PROPERLY GROUNDED**

**THERE ARE NO USER SERVICEABLE PARTS INSIDE THIS UNIT. DO NOT ATTEMPT ANY REPAIRS YOURSELF; DOING SO WILL VOID YOUR MANUFACTURES WARRANTY. DAMAGES RESULTING FROM MODIFICATIONS TO THIS FIXTURE AND/OR THE DISREGARD OF SAFETY INSTRUCTIONS AND GUIDELINES IN THIS MANUAL VOID THE MANUFACTURES WARRANTY AND ARE NOT SUBJECT TO ANY WARRANTY CLAIMS AND/OR REPAIRS.**



**DO NOT PLUG FIXTURE INTO A DIMMER PACK!  
NEVER OPEN THIS FIXTURE WHILE IN USE!  
UNPLUG POWER BEFORE SERVICING FIXTURE!  
NEVER TOUCH FIXTURE DURING OPERATION AS IT MAY BE HOT!  
KEEP FLAMMABLE MATERIALS AWAY FROM FIXTURE!**



**ENSURE ALL CONNECTIONS AND END CAPS ARE PROPERLY SEALED WITH A DIELECTRIC GREASE (AVAILABLE AT MOST ELECTRICAL SUPPLIERS) TO PREVENT WATER CORROSION AND/OR ELECTRICAL SHORT CIRCUIT.**



**IF THE FIXTURE IS EXPOSED TO ENVIRONMENTAL TEMPERATURE CHANGES SUCH AS RELOCATION FROM AN OUTDOOR COLD TO AN INDOOR WARM ENVIRONMENT, DO NOT POWER THE FIXTURE ON IMMEDIATELY. INTERNAL CONDENSATION AS A RESULT OF ENVIRONMENTAL TEMPERATURE CHANGE CAN CAUSE INTERNAL FIXTURE DAMAGE. LEAVE THE FIXTURE POWERED OFF UNTIL IT HAS REACHED ROOM TEMPERATURE BEFORE POWERING ON.**



**NEVER LOOK DIRECTLY INTO THE LIGHT SOURCE!  
RETINA INJURY RISK - MAY INDUCE BLINDNESS!  
SENSITIVE PERSONS MAY SUFFER AN EPILEPTIC SHOCK!**

# SAFETY GUIDELINES



**RISK GROUP 3 - RISK OF EXPOSURE TO ULTRAVIOLET UV RADIATION! FIXTURE EMITS HIGH INTENSITY WAVELENGTH OF ULTRAVIOLET UV LIGHT FROM THE UV COLOR FILTER. WEAR PROPER EYE AND SKIN PROTECTION. AVOID PROLONGED PERIODS OF EXPOSURE TO UV COLOR FILTER. AVOID WEARING WHITE COLOR CLOTHING AND/OR USING UV PAINTS ON SKIN. AVOID DIRECT EYE AND/OR SKIN**

**EXPOSURE AT DISTANCES LESS THAN 11 feet (3.3m). DO NOT OPERATE FIXTURE WITH DAMAGED/MISSING EXTERNAL COVERS. DO NOT LOOK DIRECTLY INTO THE UV LIGHT AND/OR VIEW UV LIGHT DIRECTLY WITH OPTICAL INSTRUMENTS THAT MAY CONCENTRATE THE LIGHT/RADIATION OUTPUT. INDIVIDUALS SUFFERING FROM A RANGE OF EYE CONDITIONS, SUNLIGHT EXPOSURE DIS-ORDERS, OR INDIVIDUALS USING PHOTSENSITIVE MEDICATION, MAY RECEIVE DISCOMFORT IF EXPOSED TO THE ULTRAVIOLET UV LIGHT EMITTED FROM THE UV LED.**

**DO NOT TOUCH** the fixture housing during operation. Turn OFF the power and allow approximately 60 minutes for the fixture to cool down before serving.

**DO NOT** shake fixture; avoid brute force when installing and/or operating fixture.

**DO NOT** operate fixture if the power cord has become frayed, crimped, damaged and/or if any of the power cord connectors are damaged and do not insert into the fixture securely with ease.

**NEVER** force a power cord connector into the fixture. If the power cord or any of its connectors are damaged, replace it immediately with a new one of similar power rating.

**DO NOT** block any air ventilation slots; these must remain clean and never blocked.

Allow approx. 6" (15cm) between fixture and other devices or a wall for proper cooling.

When installing fixture in a suspended environment, always use mounting hardware that is no less than M10 x 25 mm, and always attach an appropriately rated safety cable.

**ALWAYS** disconnect fixture from main power source before performing any type of service and/or cleaning procedure. Only handle the power cord by the plug end; never pull out the plug by tugging the wire portion of the cord.

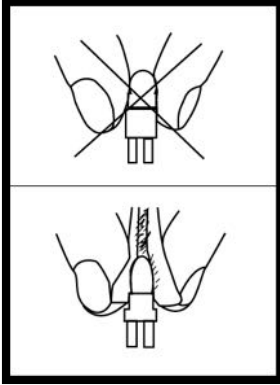
During the initial operation of this fixture, a light smoke or smell may emit from the interior of the fixture. This is a normal process and is caused by excess paint in the interior of the casing burning off from the heat associated with the lamp and will decrease gradually over time.

Consistent operational breaks will ensure fixture will function properly for many years.

**ONLY** use the original packaging and materials to transport the fixture in for service.



## DISCHARGE LAMP WARNING



This fixture is fitted with a DISCHARGE LAMP, which is highly susceptible to damage if improperly handled. **NEVER** touch the lamp with your bare hands as the oil from your hands will shorten the life of the lamp. Also, **NEVER** move the fixture until the lamp has had ample time to cool. Lamps are **NOT** covered under warranty conditions. Avoid switching the fixture **ON** and **OFF** repeatedly in short intervals as this will reduce lamp life and intensity. To achieve the intensity associated with discharge lamps, these lamps use gas sealed in a high-pressure environment to emit a brilliant output.

Due to the high pressure involved with the construction of the lamp, the lamp **MAY EXPLODE DURING PROLONGED EXTENSIVE USE**. This risk is increased with age; added care is encouraged when dealing with older lamps. Thus, the lamp must always be replaced at the end of their recommended duty cycle. Extreme caution should be used when operating this or any fixture fitted with a gas discharge lamp.



### U V R A D I A T I O N N O T I C E

This fixture emits intense UV radiation, which is harmful to the eyes and skin. The intense luminance of the lamp can cause severe damage to the retina. **NEVER** operate this fixture with **ANY** of the protective covers removed. These covers have been specially designed to shield against UV radiation.

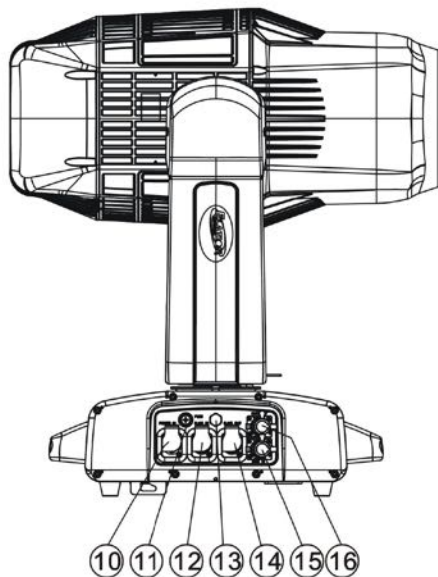
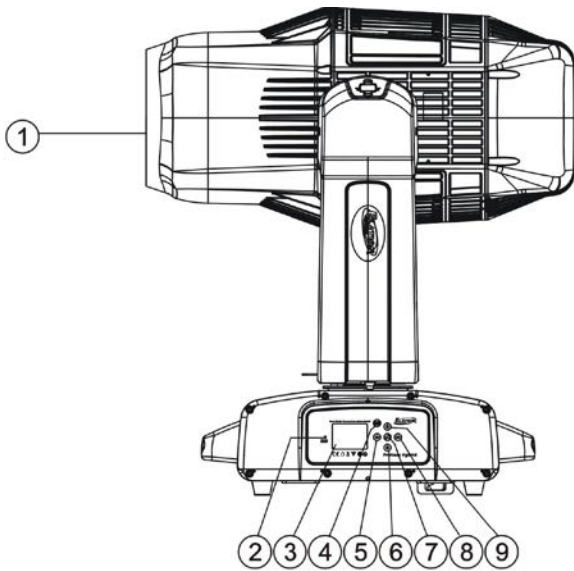


### L A M P R E P L A C E M E N T

Please note that due to the nature of the Philips™ Platinum 21R Lamp and the optical path of the fixture, the lamp **MUST BE** replaced at 1,500 hours.

Use only Genuine Original Philips™ Platinum 21R Lamps. Other brand lamps may cause damage and void warranty!

# OVERVIEW



1. Lens
2. E-FLY Wireless DMX Indicator LED
3. LCD Menu Control Display
4. MODE/ESC Button
5. LEFT Button
6. DOWN Button
7. ENTER Button
8. RIGHT Button
9. UP Button
10. powerCON TRUE1 IN
11. Fuse
12. RJ45 Ethernet IN
13. Gore Valve
14. RJ45 Ethernet OUT
15. 5pin DMX IN
16. 5pin DMX OUT

# LAMP INSTALLATION



## LAMP REPLACEMENT

Please note that due to the nature of the Philips™ Platinum 21R Lamp and the optical path of the fixture, the lamp **MUST BE** replaced at 1,500 hours.

Use only Genuine Original Philips™ Platinum 21R Lamps. Other brand lamps may cause damage and void warranty!

### INSTALLING OR REPLACING THE LAMP

To ensure a proper/safe lamp change, carefully read all the following instructions.

### LAMP PROTECTION CIRCUITRY

Because of the nature of the extreme heat associated with the Philips™ Platinum 21 R lamp and the unique IP65 rated sealed optical system, it is **IMPERATIVE** that the lamp be replaced at **1,500 Hours** or sooner. This is done to protect the internal sealed optical system as well as prevent accidental lamp explosion, which could lead to hot glass particles falling from the fixture.

**FAILURE TO CHANGE THE LAMP WITHIN 300 HOURS of the 1,500 HOUR RATED LIFE, WILL CAUSE THE FIXTURE TO AUTOMATICALLY SHUT DOWN!**

At **1,500 Hours**, the LCD control display will begin to flash, **“Replace The Lamp”**, and the lamp will flicker for the first five minutes of operation. At this point the lamp has reached the maximum rated life and should be replaced immediately. After the lamp has flickered for about five minutes, it should strike normally, allowing the fixture to be used temporarily until a replacement lamp can be installed. The fixture will continue to operate for an additional 300 hours; however, the **“Replace the Lamp”** warning will continue to flash in the display. Keep in mind that the flicker protection circuitry will only work for about 300 Hours (lamp clock life of 1,500-1,800 Hours).

**After 1,800 Hours**, the fixture will no longer respond to DMX commands and immediately enter a hibernation mode that will electronically discontinue all fixture functionality with the exception of a few menu commands. The fixture will continue to enter hibernation mode until the lamp is replaced and the lamp clock has been reset. To replace the lamp, follow the safety guidelines and procedures listed on the next page.

## LAMP INSTALLATION [continued]

-  **WARNING! LAMP REPLACEMENT SHOULD ONLY BE DONE BY A TRAINED TECHNICIAN.**  
1. Turn OFF power and allow approximately 60 minutes for the fixture to cool down.



2. Place head in a right-angle horizontal position and engage both the **PAN** and **TILT** locks for added stability while replacing the lamp.

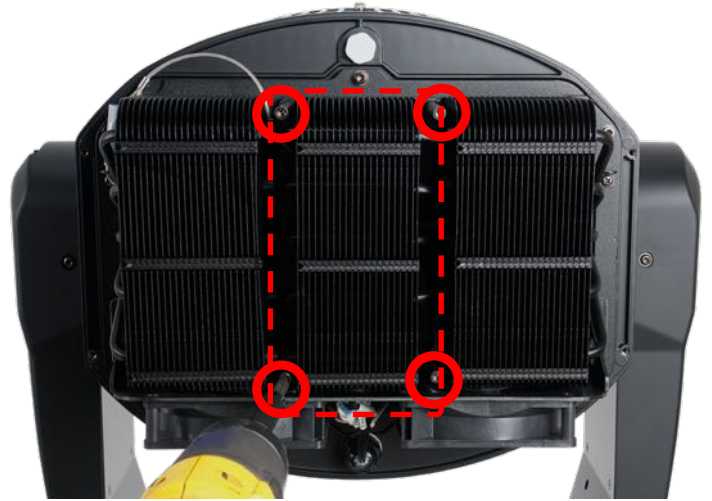


3. Remove (4x) 3mm hex-head screws to remove rear cover.

## LAMP INSTALLATION [continued]



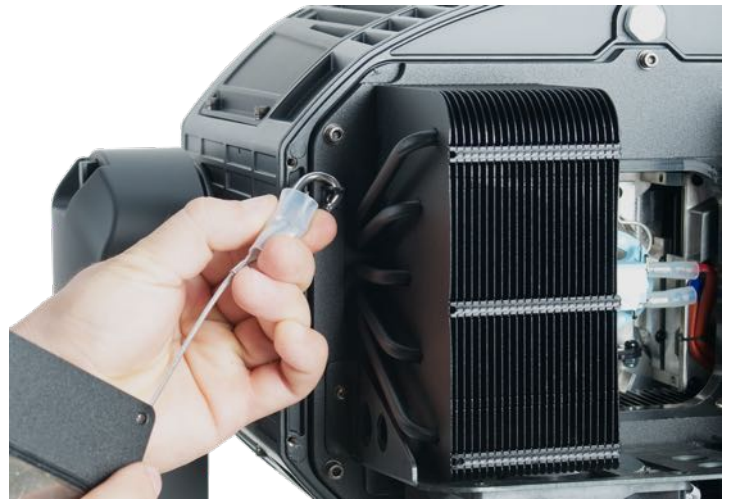
4. Unclip the rear cover safety cable.



5. Remove (4x) 3mm hex-head screws holding the center heatsink module.

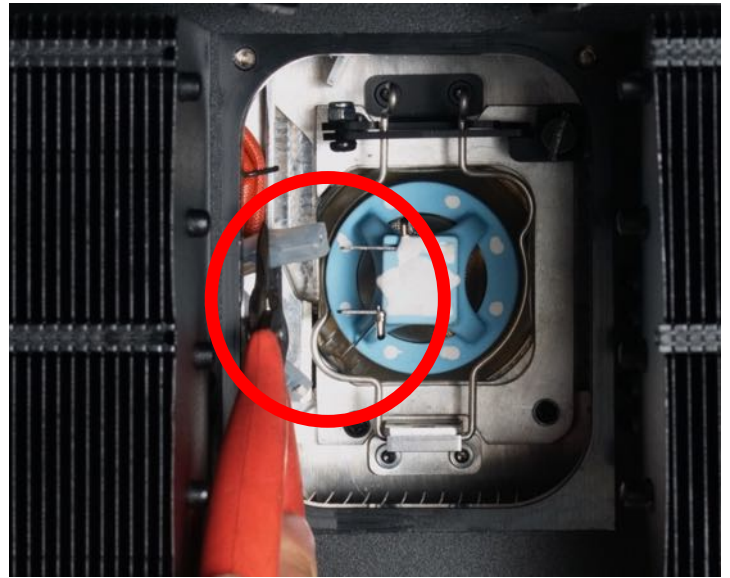
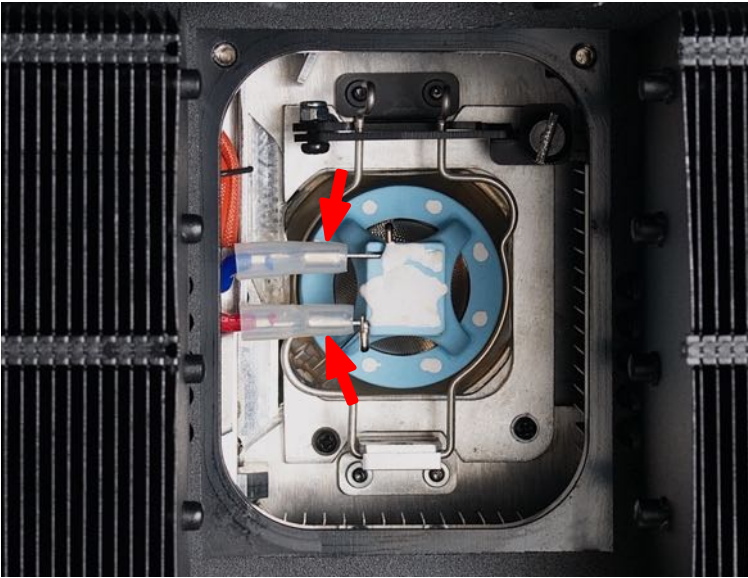


6. Unclip the center heatsink module safety cable.

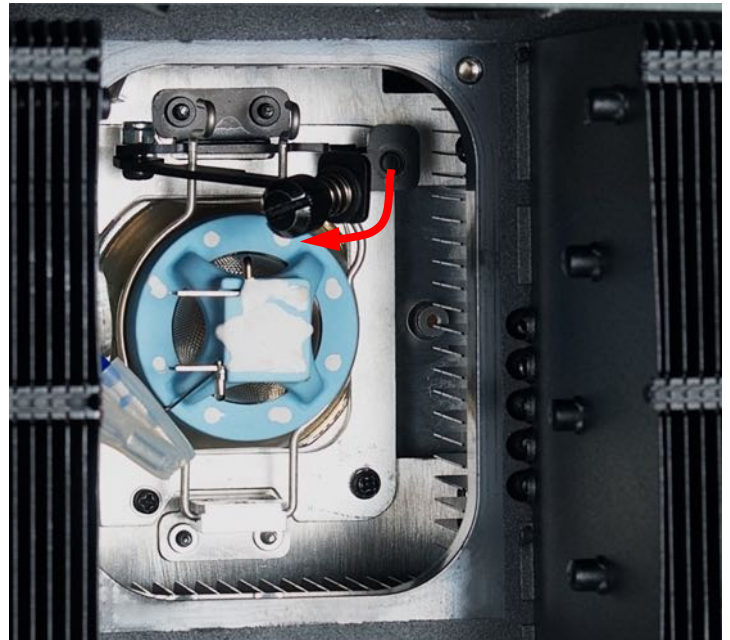
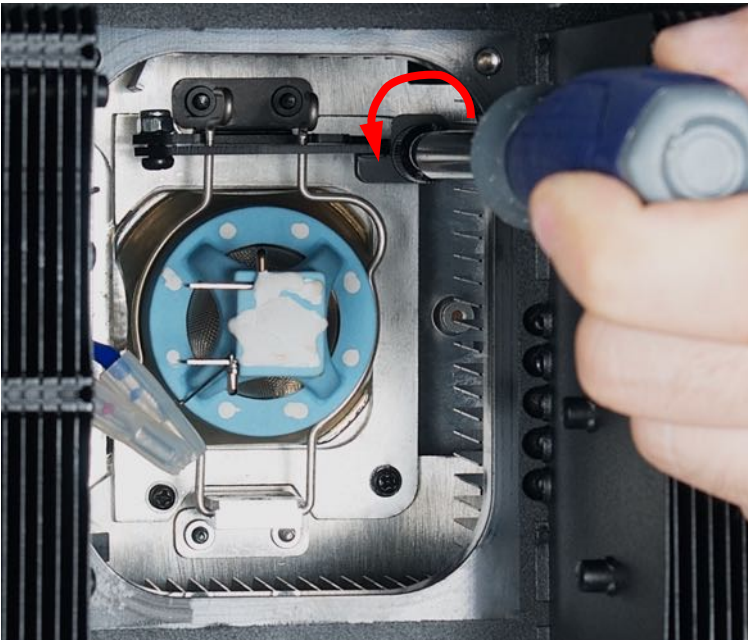




## LAMP INSTALLATION [continued]

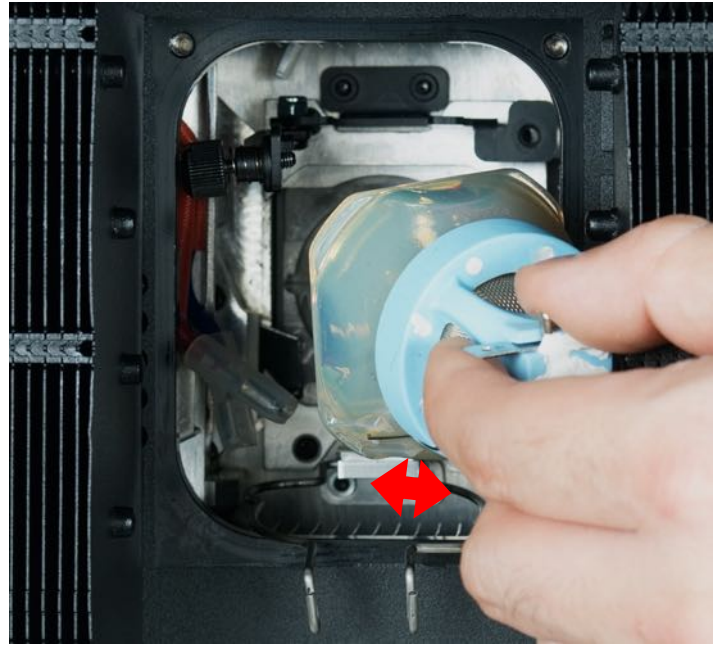
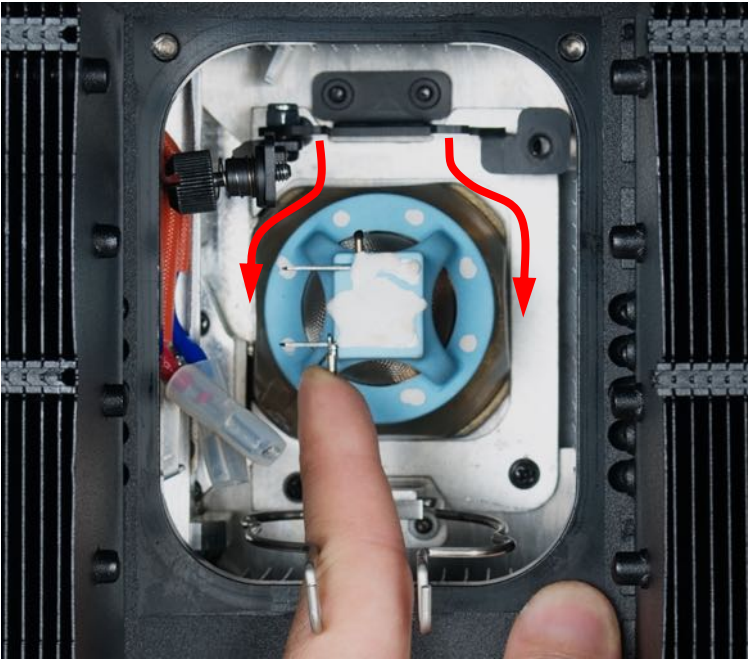


7. Gently remove the (2x) spade terminals connected to the lamp.



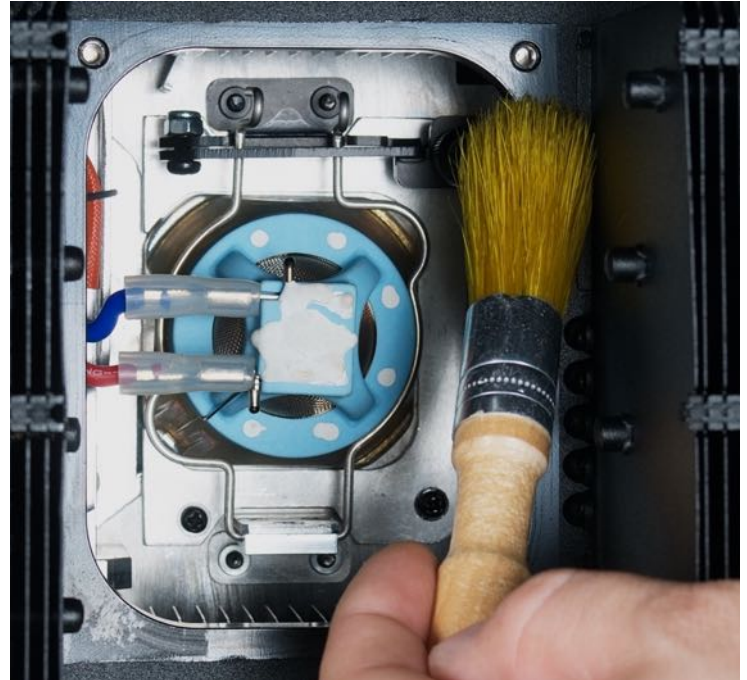
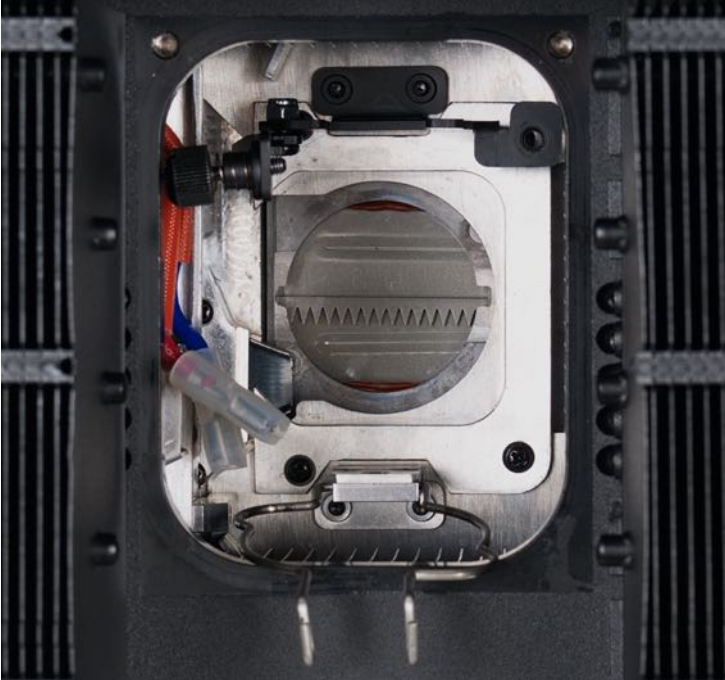
8. Loosen the lamp retaining arm screw and the pull arm out. Then unclip the lamp retaining clip

## LAMP INSTALLATION [continued]



9. Swing the lamp retaining clip out, then carefully remove the lamp.

**⚠ WARNING! LAMP MAY BE HOT. USE CAUTION WHEN TOUCHING LAMP WITH BARE HANDS.**



10. Carefully install the new lamp, then follow the removal instruction steps in reverse order.  
**NOTE: Brush away any debris using a nonabrasive brush before replacing the heatsink.**





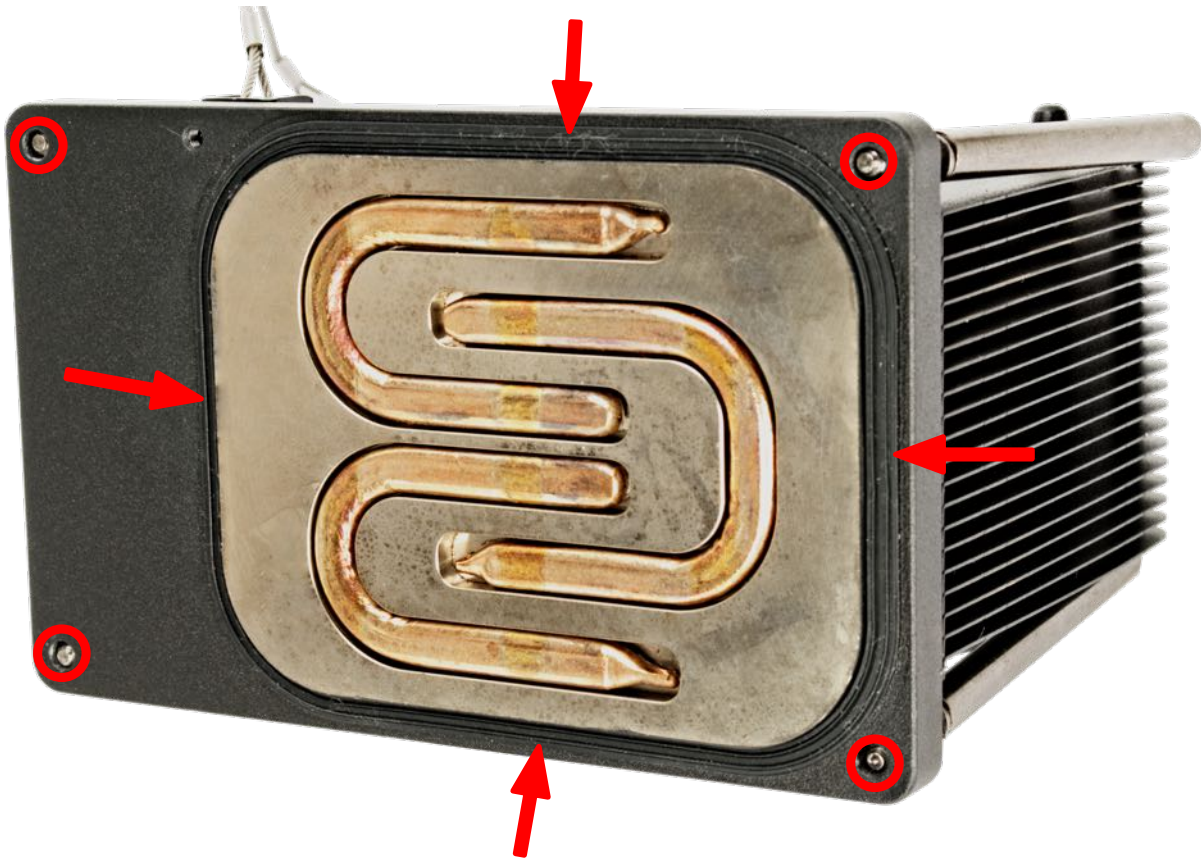
## LAMP INSTALLATION [continued]

### GASKET INSPECTION

**CAREFULLY REMOVE ANY DEBRIS FOUND ON GASKET AND SCREW HOLES OF THE HEATSINK MODULE USING A NONABRASIVE BRUSH BEFORE INSTALLING!**

**CAREFULLY INSPECT HEATSINK GASKET FOR SIGNS OF WEAR SUCH AS CRACKING OR HARDENING, DEFORMITIES, OR ALIGNMENT ISSUES BEFORE INSTALLING!**

**ITEMS ABOVE CAN IMPEDE THE IP65 INTEGRITY AND/OR CAUSE INTERNAL DAMAGE. CONTACT ELATION SERVICE REGARDING GASKET REPLACEMENT IF NEEDED.**





## LAMP INSTALLATION [continued]

### TORQUE SETTINGS FOR SCREWS



HEATSINK MODULE SCREWS MUST BE TIGHTENED WITH A TORQUE WRENCH.



The (4x) hex-head screws holding the heatsink module **MUST** be tightened with a torque wrench (not included). **TORQUE SETTING = 11 lbf-in. (12.7kgf-cm) \***

**\* lbf-in = Pound Force Inches | kgf-cm = Kilogram Force Centimeters**



**CAUTION! DO NOT OVER TORQUE SCREWS AS THIS CAN CAUSE LEAKAGE ISSUES! TO CONFIRM THE IP65 INTEGRITY AFTER A LAMP REPLACEMENT, TEST FIXTURE USING THE ELATION IP TESTER. CONTACT ELATION SERVICE FOR MORE DETAILS.**



# GOBO INSTALLATION

**⚠ WARNING! GOBO REPLACEMENT SHOULD ONLY BE DONE BY A TRAINED TECHNICIAN.**  
1. Turn OFF power and allow approximately 60 minutes for the fixture to cool down.

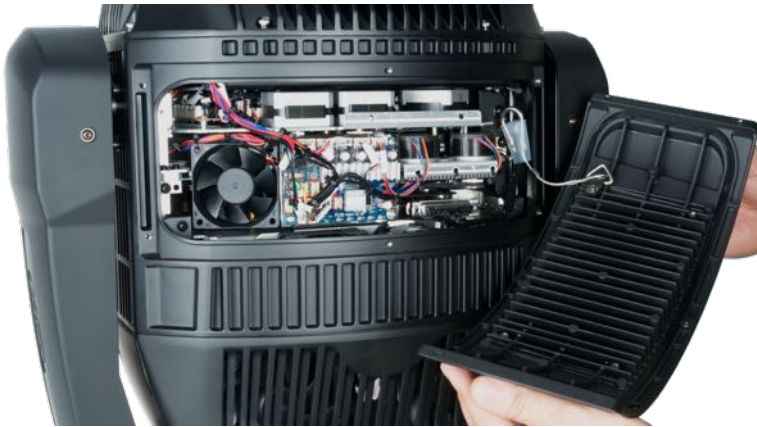


2. Place the head in an upright vertical position and engage both the **PAN** and **TILT** locks for added stability while replacing the gobo.



3. Remove (12x) 3mm hex-head screws (6x per panel) to remove both center panels.

## GOBO INSTALLATION [continued]



4. Unclip the panel safety cable one side of the head.



5. Unclip the panel safety cable on the opposite side of the head.

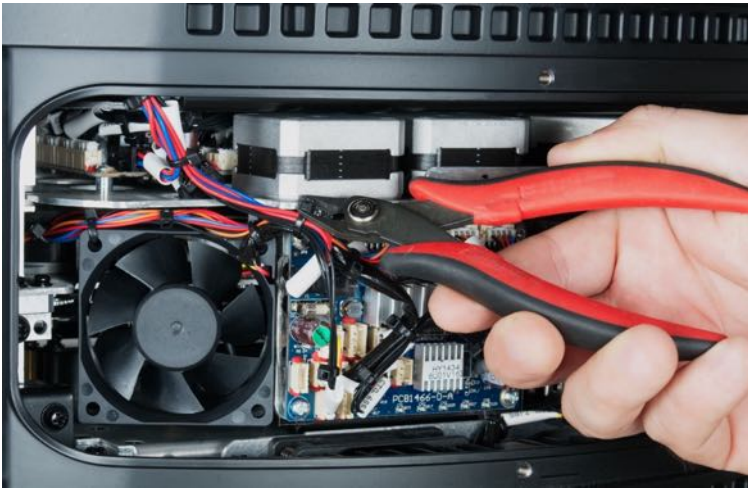




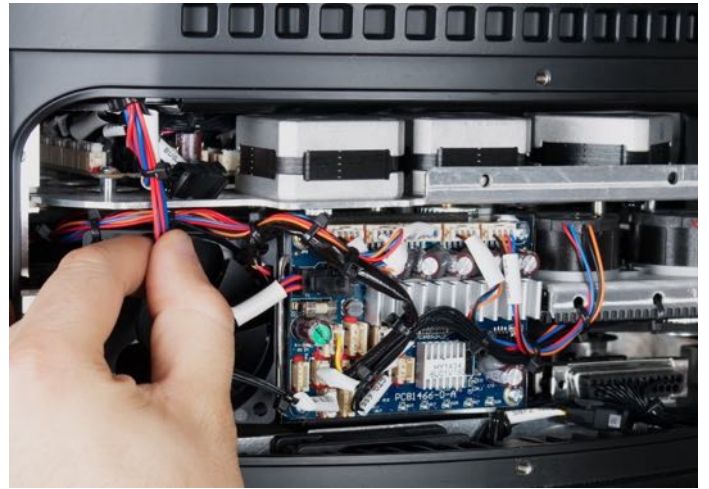
## GOBO INSTALLATION [continued]

6. Cut the plastic cable-ties holding wires and disconnect connectors attached to the effect module.

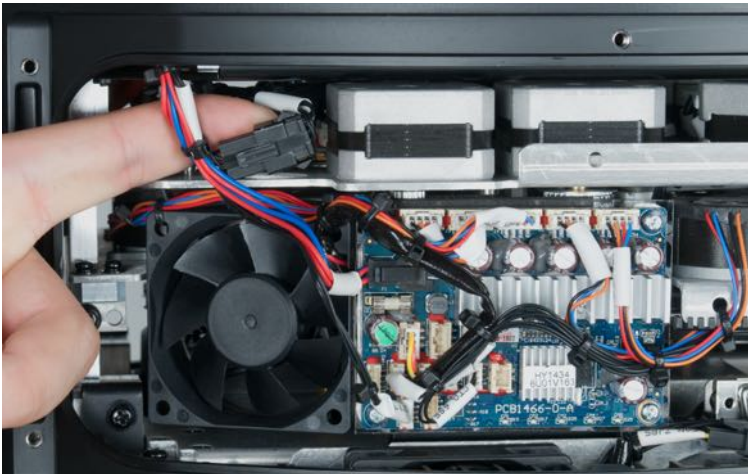
6a



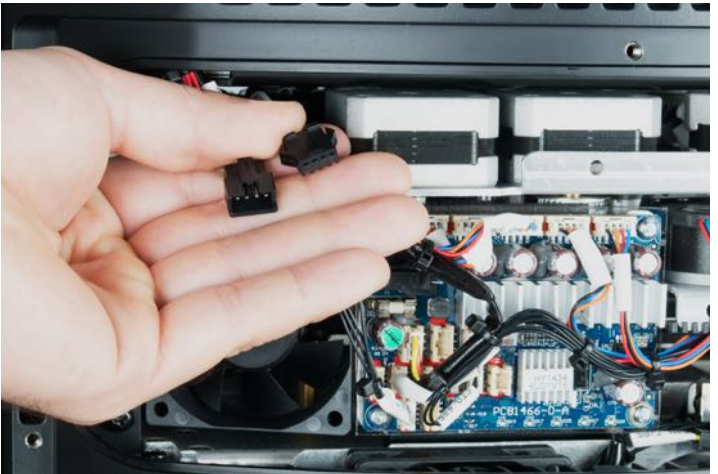
6b



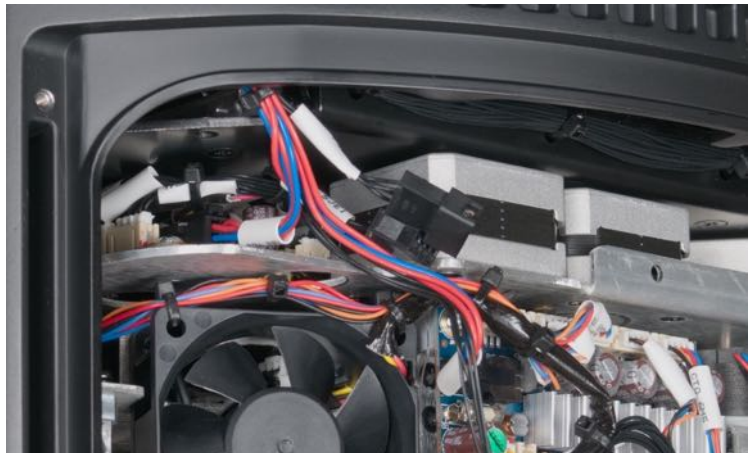
6c



6d



6e

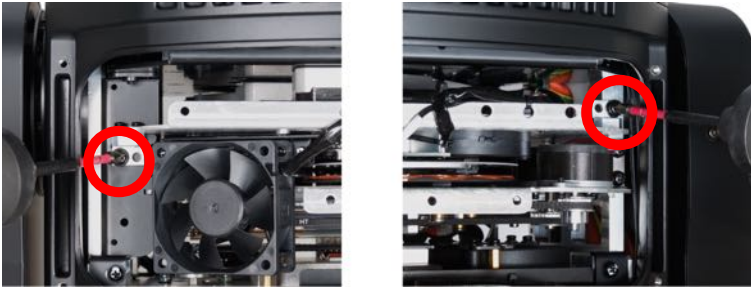


6f

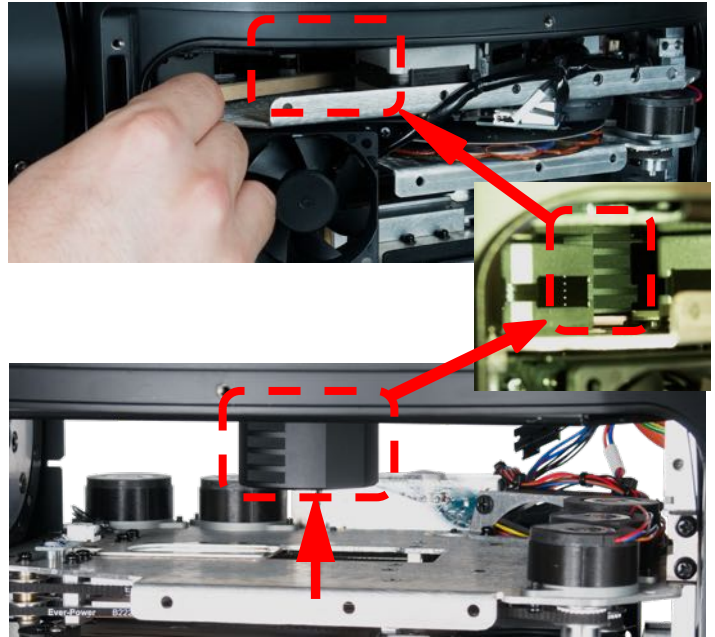




## GOBO INSTALLATION [continued]



7. Remove (2x) #2 Philips screws securing effect module.



8. Gently lift GOBO lens away from effect module.



9. Carefully remove the effect module from fixture.



10. Place the effect module on firm clean surface and locate GOBO to replace.




11. Carefully lift the GOBO Holder up and out from the GOBO wheel using small needle nose pliers.



 **CAUTION! DO NOT SCRATCH GOBO AND HOLDER WHEN REPLACING!**

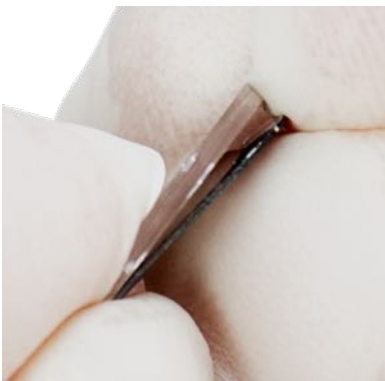
## GOBO INSTALLATION [continued]




12. Carefully remove retaining spring.  **CAUTION! DO NOT SCRATCH GOBO OR GOBO HOLDER!**



13. Carefully separate the GOBO disc from the GOBO Holder.



14. Carefully remove the retaining ring washer attached to the GOBO.

 **SAVE RETAINING RING WASHER FOR USE WITH THE NEW REPLACEMENT GOBO!  
RETAINING RING MUST BE USED IN ORDER TO PREVENT GOBO BURNING!**

15. Carefully replace the GOBO and GOBO Holder, following the instruction steps in reverse order.  
**NOTE: Brush away any debris using a nonabrasive brush before installing the effect module.**



## GOBO INSTALLATION [continued]

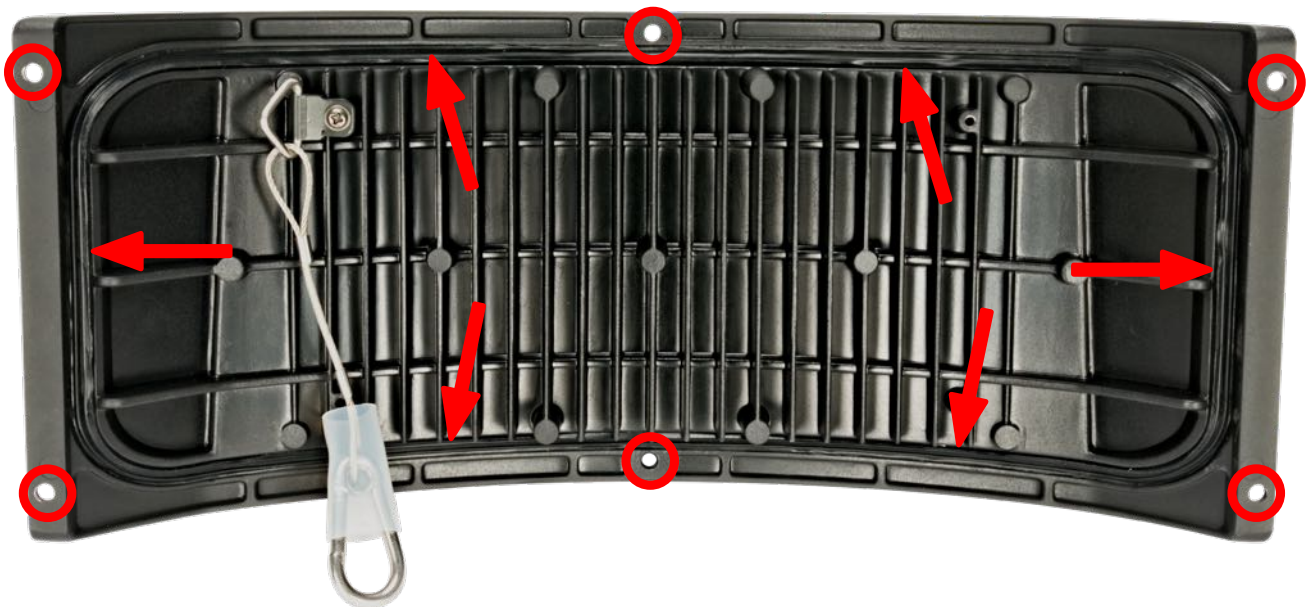


### GASKET INSPECTION

**CAREFULLY REMOVE ANY DEBRIS FOUND ON GASKET AND SCREW HOLES OF BOTH CENTER PANELS USING A NONABRASIVE BRUSH BEFORE INSTALLING!**

**CAREFULLY INSPECT GASKETS FOR SIGNS OF WEAR SUCH AS CRACKING OR HARDENING, DEFORMITIES, OR ALIGNMENT ISSUES BEFORE INSTALLING!**

**ITEMS ABOVE CAN IMPEDE THE IP65 INTEGRITY AND/OR CAUSE INTERNAL DAMAGE. CONTACT ELATION SERVICE REGARDING GASKET REPLACEMENT IF NEEDED.**



# GOBO INSTALLATION [continued]

## TORQUE SETTINGS FOR SCREWS



PANEL SCREWS MUST BE TIGHTENED WITH A TORQUE WRENCH.



The (12x) hex-head screws holding the panels **MUST** be tightened with a torque wrench (not included). **TORQUE SETTING = 11 lbf-in. (12.7kgf-cm) \***

**\* lbf-in = Pound Force Inches | kgf-cm = Kilogram Force Centimeters**



**CAUTION! DO NOT OVER TORQUE SCREWS AS THIS CAN CAUSE LEAKAGE ISSUES! TO CONFIRM THE IP65 INTEGRITY AFTER A GOBO REPLACEMENT, TEST FIXTURE USING THE ELATION IP TESTER. CONTACT ELATION SERVICE FOR MORE DETAILS.**



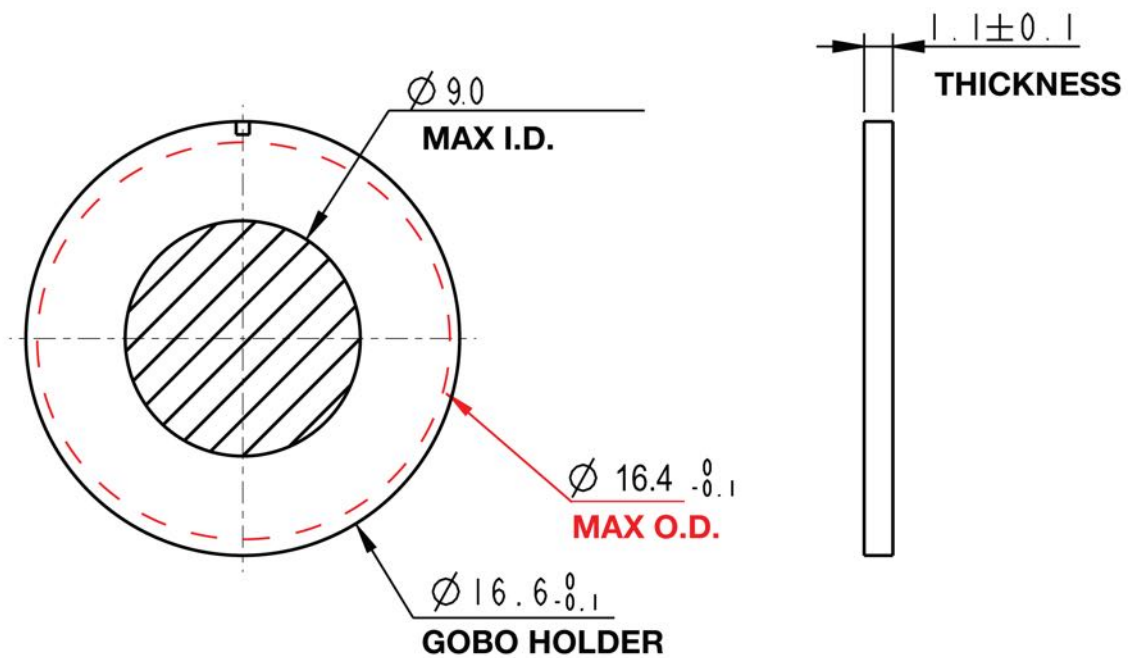


## ROTATING GOBO SPECIFICATIONS

### \* \* \* IMPORTANT NOTICE REGARDING CUSTOM GOBOS \* \* \*

Due to the extreme high temperature optical system, which can reach up to **842°F (450°C)**, special **BOROFLOAT** glass and design criteria are required. Due to varying gobo manufacturing processes and tolerances, it is highly recommended to provide a gobo sample from the fixture to the custom gobo vendor for accurate sizing. Extended testing of custom gobo designs is highly recommended prior to using.

**PLEASE CONTACT ELATION CUSTOMER SUPPORT FOR FURTHER INFORMATION.**



O.D. (Max. Outer Diameter)	$\phi 16.4\text{mm}$
I.D. (Max. Image Diameter)	$\phi 9\text{mm}$
Gobo Holder Diameter	$\phi 16.6\text{mm}$
Thickness	$1.1\text{mm} \pm 0.1\text{mm}$
Material	<b>BOROFLOAT GLASS</b>

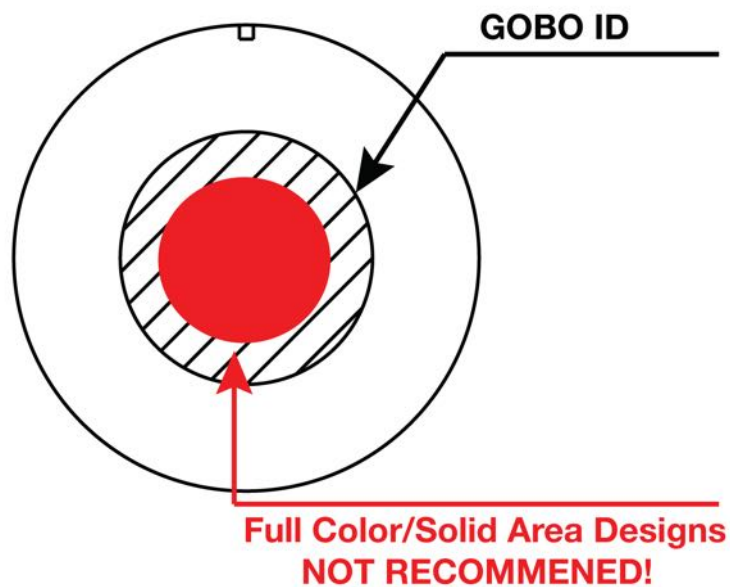
## CUSTOM GOBO DESIGN GUIDELINES

### \* \* \* IMPORTANT NOTICE REGARDING CUSTOM GOBO DESIGNS\* \* \*

Full Color / Solid Area custom gobo designs are **NOT RECOMMENDED** due to the extreme high temperature optical system which can reach up to **842°F (450°C)**.

Custom gobo designs as illustrated below can burn during extended use.

**PLEASE CONTACT ELATION CUSTOMER SUPPORT FOR FURTHER INFORMATION.**



## FIXTURE INSTALLATION



### **FLAMMABLE MATERIAL WARNING**

Keep fixture at least 5.0 feet (1.5m) away from any flammable materials, decorations, pyrotechnics, etc.



### **ELECTRICAL CONNECTIONS**

A qualified electrician should be used for all electrical connections and/or installations.



**MINIMUM DISTANCE TO OBJECTS/SURFACES  
MUST BE 40 FEET (12 METERS)**



**MAXIMUM TEMPERATURE OF EXTERNAL SURFACE  
212° F (100° C)**

### **DO NOT INSTALL THE FIXTURE IF YOU ARE NOT QUALIFIED TO DO SO!**

Fixture **MUST** be installed following all local, national, and country commercial electrical and construction codes and regulations. Before rigging/mounting the fixture to any metal truss/structure or placing the fixture on any surface, a professional equipment installer **MUST** be consulted to determine if the metal truss/structure or surface is properly certified to safely hold the combined weight of the fixture, clamps, cables, and accessories.

Overhead fixture installation must always be secured with a secondary safety attachment, such as an appropriately rated safety cable that meets all local, national, and country codes and regulations.

Fixture ambient operating temperature range is **-4° to 113°F. (-20° to 45°C)**

Do not use this fixture outside this temperature range.

Fixture should be installed in areas outside walking paths, seating areas, or away from areas where unauthorized personnel might reach the fixture by hand.

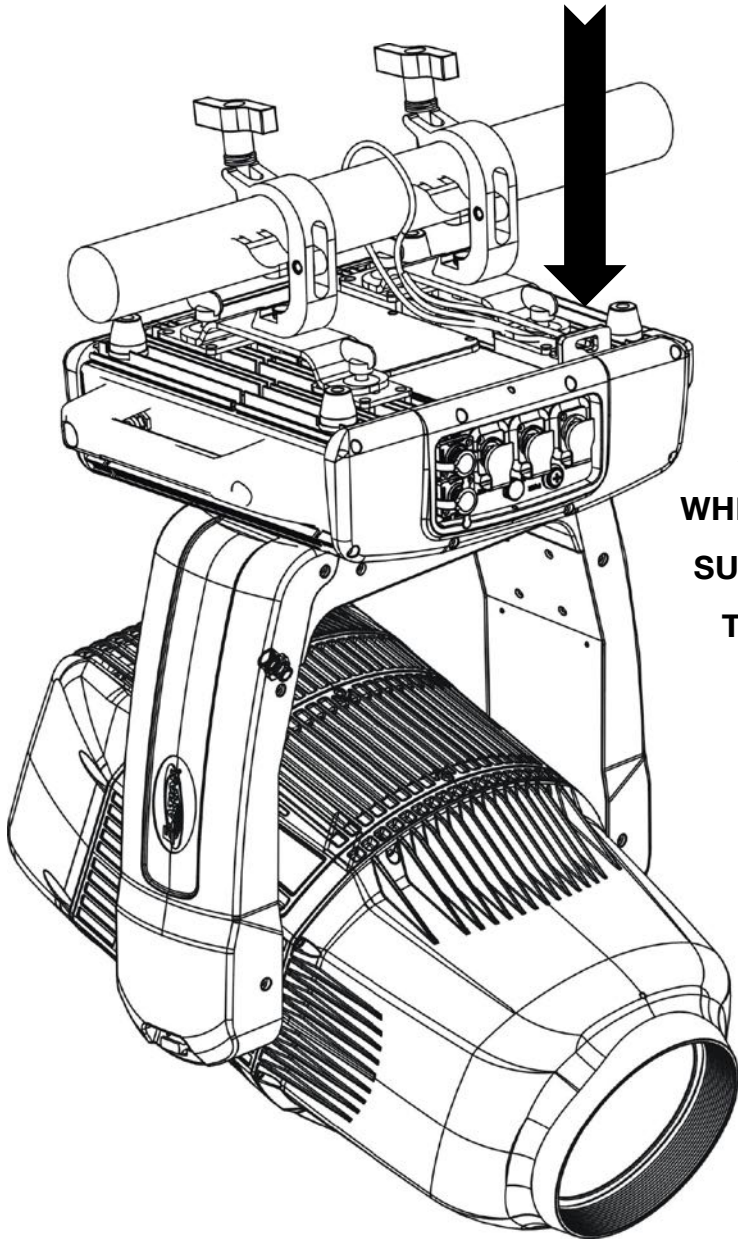
**NEVER** stand directly below the fixture when rigging, removing, or servicing.

Allow approximately 15 minutes for the fixture to cool down before serving.

## CLAMP INSTALLATION

The fixture can be attached to a metal truss/structure using. When mounting this fixture to truss be sure to secure (2) appropriately rated clamps (not included) to the **(2) Omega Brackets (included)**. Be sure to attach the **Safety Cable (included)** to the fixture using the safety cable rigging point integrated into the bottom of the fixture. (See image below.)

## SAFETY CABLE RIGGING POINT

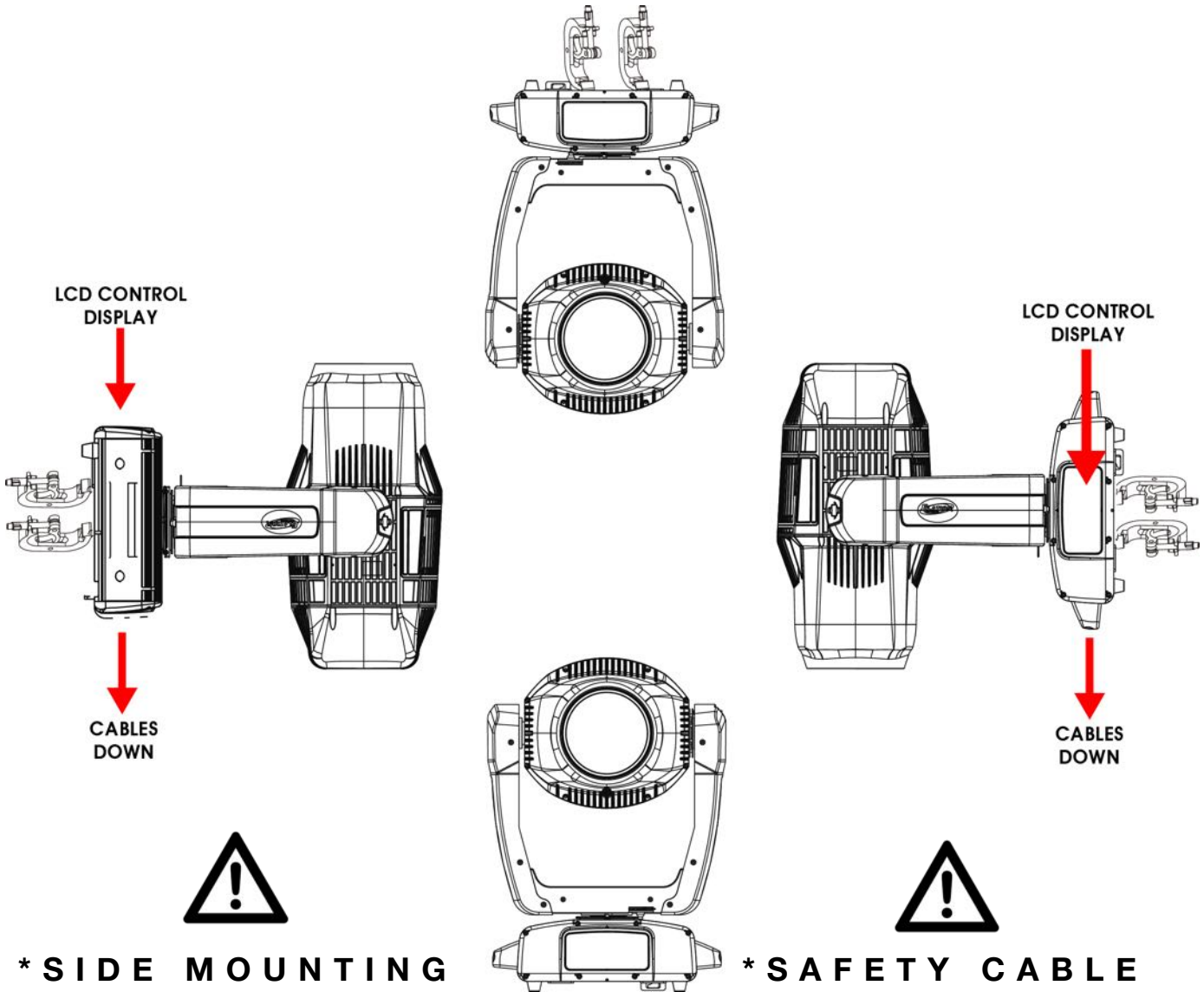


**S A F E T Y   C A B L E**  
**ALWAYS ATTACH A SAFETY CABLE**  
**WHENEVER INSTALLING THIS DEVICE IN A**  
**SUSPENDED ENVIRONMENT TO ENSURE**  
**THE FIXTURE WILL NOT DROP IF THE**  
**CLAMP FAILS.**

## OVERHEAD RIGGING

Overhead rigging requires extensive experience, including amongst others calculating working load limits, installation material being used, and periodic safety inspection of all installation material and the fixture. If you lack these qualifications, do not attempt the installation yourself. Improper installation can result in bodily injury.

Fixture is fully operational in the specific mounting positions illustrated below. \*



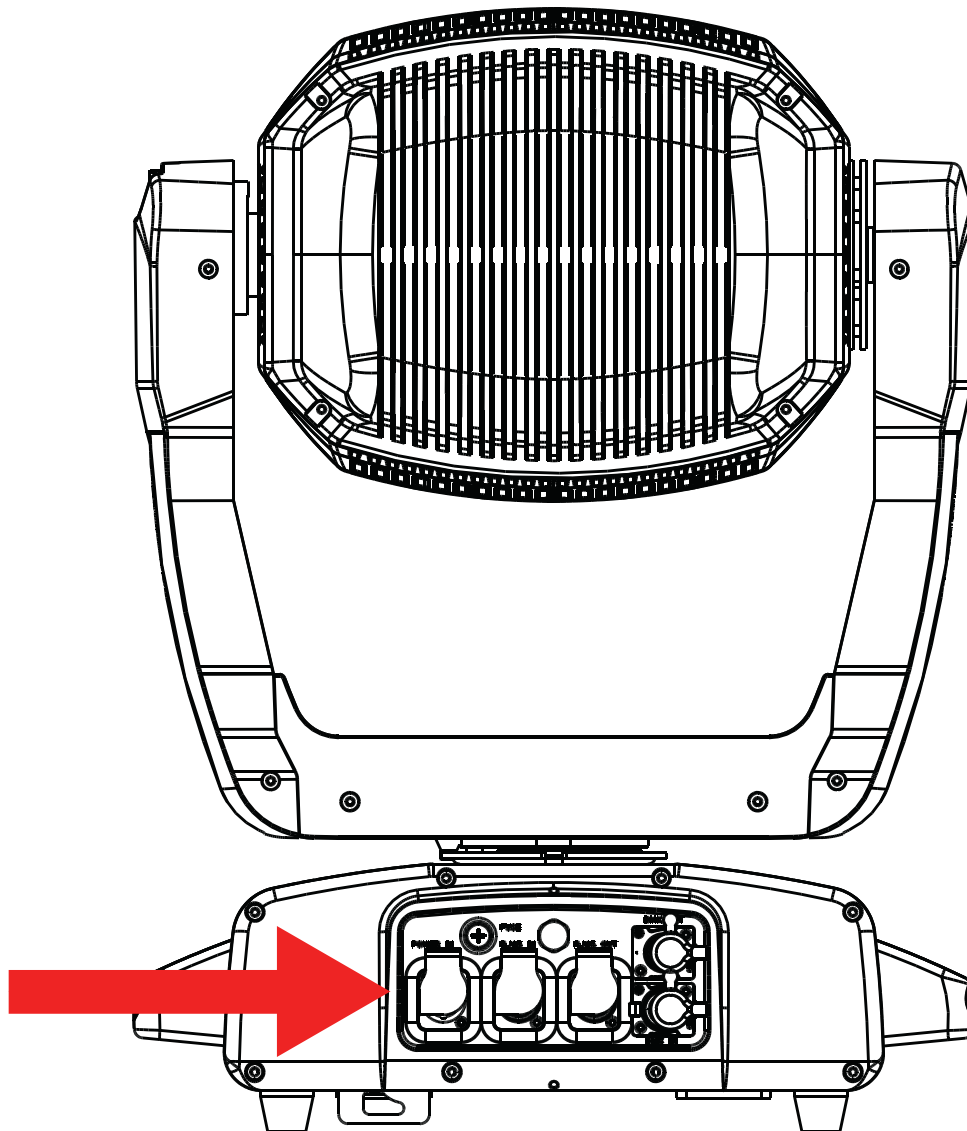
TO MAINTAIN IP65 RATING INTEGRITY, FIXTURE MUST BE INSTALLED WITH CABLES FACING THE GROUND AT ALL TIMES. WATER MUST EASILY RUN OFF AND NOT COLLECT AROUND CABLE CONNECTIONS.

ALWAYS ATTACH A SAFETY CABLE WHENEVER INSTALLING THIS FIXTURE IN A SUSPENDED ENVIRONMENT TO ENSURE THE FIXTURE WILL NOT DROP IF THE CLAMP FAILS.

## CONNECTIONS

**ENSURE ALL CONNECTIONS AND END CAPS ARE PROPERLY SEALED WITH A DIELECTRIC GREASE (AVAILABLE AT MOST ELECTRICAL SUPPLIERS) TO PREVENT WATER CORROSION AND/OR ELECTRICAL SHORT CIRCUIT.**

**TO MAINTAIN IP65 RATING INTEGRITY AND PREVENT WATER FROM ENTERING THE FIXTURE, ALL UNUSED CONNECTION RUBBER CAPS MUST BE SEALED.**



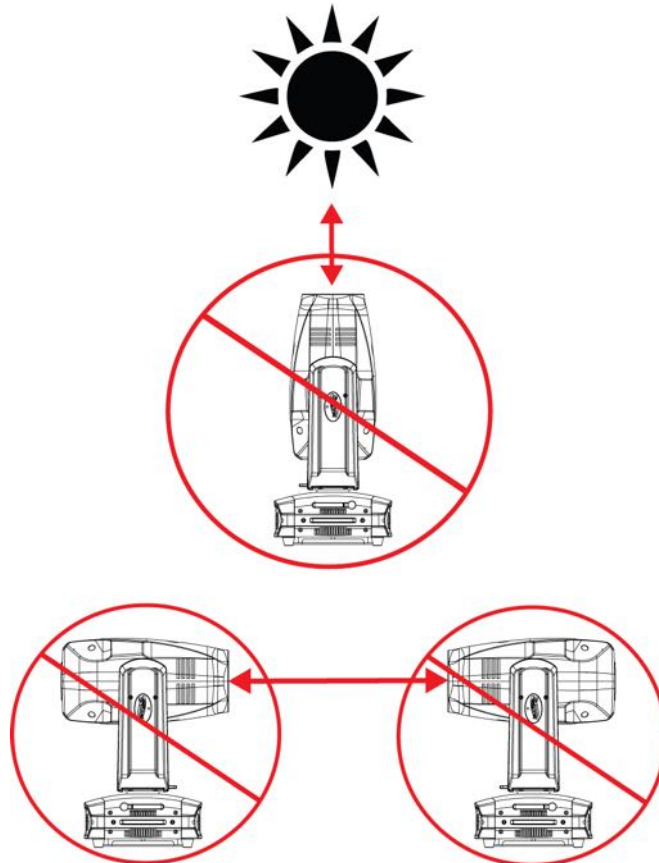
## **POTENTIAL INTERNAL FIXTURE DAMAGE FROM EXTERNAL SOURCES OF LIGHT BEAMS**

External sources of light beams from direct sunlight, lighting moving head fixtures, and lasers, which are focused directly towards the exterior housing and/or penetrate the front lens opening of ELATION lighting fixtures, can cause severe internal damage including burning to optics, dichroic color filters, glass and metal gobos, prisms, animation wheels, frost filters, iris, shutters, motors, belts, wiring, discharge lamps, and LEDs.

This issue is not specific to ELATION lighting fixtures;vv it is a common issue with lighting fixtures from all manufacturers. Although there is no true way to fully prevent this issue from happening, the guidelines below can prevent any potential damage from occurring if followed. Contact ELATION Service for more details.

**DO NOT EXPOSE THE FIXTURE AND/OR FRONT LENS OPENING TO LIGHT BEAMS FROM DIRECT SUNLIGHT, OTHER LIGHTING MOVING HEAD FIXTURES, AND LASERS WHILE UNPACKING, INSTALLING, OR USING, AND FOR EXTENDED IDLE TIMES OUTDOORS.**

**DO NOT FOCUS A LIGHT BEAM FROM ONE LIGHTING FIXTURE DIRECTLY TOWARDS ANOTHER.**





## SYSTEM MENU

The fixture includes an easy to navigate system menu control panel display where all necessary settings and adjustments are made. (See image below) During normal operation, pressing **MODE/ESC** button once will access the fixture's main menu. Once in the main menu, you can navigate through the different functions and access the sub-menus with the **UP, DOWN, RIGHT,** and **LEFT** buttons. When you reach a field that requires adjusting, press the **ENTER** button to activate that field and use the **UP** and **DOWN** buttons to adjust the field. Pressing the **ENTER** button once more will confirm your setting. You may exit the main menu at any time without making any adjustments by pressing the **MODE/ESC** button.

**NOTE:** To access the LCD Menu Control Display via the internal battery, press and hold the **MODE/ESC** button for 10 seconds. The LCD Menu Control Display will shut **OFF** automatically about 60 seconds from the last button press.





## SYSTEM MENU

### Supports Software Versions: ≥ 1.3.1A

Features are subject to change without any prior written notice.

\*Rotation direction (Clockwise or Counterclockwise) of effects depends on orientation of the fixture head and Pan/Tilt settings.

MAIN MENU	SUB MENU	OPTIONS / VALUES (Default Settings in BOLD)	DESCRIPTION
FUNCTION	Set Dmx Address	A001~AXXX	DMX Address Setting
	Dmx Value	ALL.....	DMX Value Display
	Slave Mode	Slave1, Slave2, Slave3	Slave Setting
	Auto Program	Master / <b>Alone</b>	Auto Program
INFORMATION	Time Information	Current Time	XXXX (Hours)      Fixture Run Time From Power ON
		Total Run Time	XXXX (Hours)      Fixture Total Run Time
		Last Run Time	XXXX (Hours)      Fixture Last Run Time
		Lamp Hours	XXXX (Hours)      Lamp Running Time
		Lamp Off Time	XXXX (Hours)      Lamp Off Time
		LastRun Password	Password= <b>038</b> <b>(PSWD Required)</b>
		Clear Last Run	ON / <b>OFF</b> Clear Fixture Last Run Time
		LampTime Password	Password= <b>038</b> <b>(PSWD Required)</b>
	Temperature Info	Head Temperature	XXX C° / F °      Temperature in Fixture Head
		LAMP Temperature	XXX C° / F °      Temperature of LAMP
		Base Temperature	XXX C° / F °      Temperature in Fixture Base
	Humidity Info	Base Humidity	XXX% <b>RH</b> Humidity In Fixture Base
		Head Humidity	XXX% <b>RH</b> Humidity in Fixture Head
	Ethernet IP	XXX . XXX . XXX . XXX      Displays Fixture Ethernet Address	
	Fan Info	1U_FAN1....      RPM Speeds of Fans	
	Encode Info	PAN ENCODE:, TILT ENCODE:...	
Software Version	≥ <b>V1.3.1A</b> Software Version		
Error Info	Error Record 1 ~ Error Record 10      Fixture Last 10 Error Codes		
Lamp Error log	Error Record 1 ~ Error Record 10      Lamp Last 10 Error Codes		
LAMP CONTROL	Lamp ON/OFF	<b>ON/OFF</b> Lamp ON/OFF	
	Automatic ON	<b>ON/OFF</b> Lamp ON/OFF when Power ON	
	Lamp ON via DMX	<b>ON/OFF</b> Lamp ON via DMX	
	Lamp OFF via DMX	<b>ON/OFF</b> Lamp OFF via DMX	
	Max ON at Temp	20~79°C ( <b>45°C</b> ) / 68 ~ 174°F ( <b>113°F</b> )      Lamp Restart at Temp	
	MaxOnatHumidity	20~100%RH, <b>70%RH</b> Fixture Restart at Humidity	
	Lamp OFF Temp	80~139°C ( <b>130°C</b> ) / 176 ~ 282°F ( <b>266°F</b> )      Lamp OFF at Temp	

### SYSTEM MENU CHANGE WITH SOFTWARE UPDATE VERSION ≥1.6.4

See highlighted menu items below which have been updated with this software update.

LAMP CONTROL	Lamp ON/OFF	<b>ON/OFF</b>	Lamp ON/OFF
	Automatic ON	<b>ON/OFF</b>	Lamp ON/OFF when Power ON
	Lamp ON via DMX	<b>ON/OFF</b>	Lamp ON via DMX
	Lamp OFF via DMX	<b>ON/OFF</b>	Lamp OFF via DMX
	MaxOnatHumidity	20~100%RH, <b>70%RH</b>	Fixture Restart at Humidity

## SYSTEM MENU

### Supports Software Versions: ≥ 1.3.1A

Features are subject to change without any prior written notice.

\*Rotation direction (Clockwise or Counterclockwise) of effects depends on orientation of the fixture head and Pan/Tilt settings.

MAIN MENU	SUB MENU	OPTIONS / VALUES (Default Settings in <b>BOLD</b> )		DESCRIPTION	
PERSONALITY	Status Settings	Address via DMX	<b>ON/OFF</b>	Address Via DMX	
		No DMX Status	Close / <b>Hold</b> / Auto	Fixture State When NO DMX Signal	
		Pan Reverse	<b>ON/OFF</b>	Pan Reverse Movement	
		Tilt Reverse	<b>ON/OFF</b>	Tilt Reverse Movement	
		Pan Degree	630/ <b>540</b>	Pan Degree Select	
		Feedback	<b>ON/OFF</b>	Movement Feedback	
		Movement Speed	<b>NormalSpeed</b> SlowSpeed	Select Movement Speed	
	Service Setting	Hibernation	OFF, 01M~99M, <b>15M</b>	Stand By Mode	
		Password	Password= <b>050</b>	Service Password	
		RDM PID	<b>22A6xxxxxxx</b>	RDM PID Code ( <b>PSWD Required</b> )	
		Clear Err. Info	<b>ON/OFF</b>	Clear Error Info ( <b>PSWD Required</b> )	
	Display Setting	DFLT Pow. LampOn	<b>ON/OFF</b>	Set Default Lamp Power State to ON	
		Shutoff Time	02~60m <b>05m</b>	LCD Display Shut Off Time	
		Display Reverse	<b>AUTO/ON/OFF</b>	LCD Display Reverse 180°	
	Temperature C/F	Key Lock	<b>ON/OFF</b>	LCD Control Panel Lock Out	
		Initial Status	<b>Celsius/Fahrenheit</b>	Temperature Switch Between C°/ F°	
	Select Signal	CONTROL =XXX		Initial Effect Position	
		Set Universe	E-FLY Off		Control via DMX ONLY
			<b>DMX &amp; E-FLY</b>		Control via DMX and E-FLY
			E-FLY & OUT		Control via E-FLY and sends DMX Out
			Art-Net		Control via Art-Net Protocol
	sACN			Control via sACN Protocol	
	Ethernet IP	<b>000 - 32767</b>		Set ArtNet Universe (Art-Net 4)	
Ether Mask IP	XXX.XXX.XXX.XXX		Set Fixture IP Address		
Ether Mask IP	XXX.XXX.XXX.XXX		Set Fixture Subnet Mask Address		
Set E-FLY Chn	<b>00 - 15</b>		Set E-FLY Wireless Channel		
Reset Default	<b>ON/OFF</b>	Password= <b>011</b>	Restore Factory Settings ( <b>PSWD Required</b> )		

### SYSTEM MENU CHANGE WITH SOFTWARE UPDATE VERSION ≥ 1.6.0

See highlighted menu items below which have been updated with this software update.

MAIN MENU	SUB MENU	OPTIONS / VALUES (Default Settings in <b>BOLD</b> )		DESCRIPTION
PERSONALITY	Status Settings	Movement Speed	<b>HighSpeed</b> MiddleSpeed SlowSpeed	Select Movement Speed
		FocusZoom Speed	<b>HighSpeed</b> Slow Speed	Select Focus Zoom Speed
	Service Setting	Password	Password= <b>050</b>	Service Password
		RDM UID	<b>22A6xxxxxxx</b>	RDM PID Code ( <b>PSWD Required</b> )
		Clear Err. Info	<b>ON/OFF</b>	Clear Error Info ( <b>PSWD Required</b> )
		Clear Error code	<b>ON/OFF</b>	Clear Error Code ( <b>PSWD Required</b> )
	Initial Status	CONTROL =XXX		Initial Effect Position
	Select Signal	<b>E-FLY Off</b>		Control via DMX ONLY
		DMX & E-FLY		Control via DMX and E-FLY
		E-FLY & OUT		Control via E-FLY and sends DMX Out
		Art-Net		Control via Art-Net Protocol
sACN			Control via sACN Protocol	

## SYSTEM MENU

**Supports Software Versions: ≥ 1.3.1A**

Features are subject to change without any prior written notice.

\*Rotation direction (Clockwise or Counterclockwise) of effects depends on orientation of the fixture head and Pan/Tilt settings.

MAIN MENU	SUB MENU	OPTIONS / VALUES (Default Settings in <b>BOLD</b> )		DESCRIPTION
Reset Function	Reset All			Reset All Motors
	Reset Pan&Tilt			Reset Pan/Tilt
	Reset Colors			Reset Color Wheel
	Reset Gobos			Reset Gobos
	Reset Shutter			Reset Shutter
	Reset Others			Reset Other Motors
Effect Adjust	Test Channel	CONTROL .....		Test function
	Manual Control	CONTROL =XXX, .....		Fine Adjustments
	Calibration	Calibration Password	Password= <b>050</b>	Password <b>050 (PSWD Required)</b>
User Mode Set	User Mode	Basic Mode		DMX Channel Modes
		<b>Standard Mode</b>		
		Extended Mode		
		User Mode A		User Defined Channel Assignment
		User Mode B		
	User Mode C			
	Edit User Mode A	Max Channel = XX PAN = CH01		Edits User Defined Channel Assignments
Edit User Mode B				
Edit User Mode C				
Edit Program	Select Program	Auto Pro Part1 = Program 1~10 ( <b>Program 1</b> )		Select Programs To Be Run
		Auto Pro Part2 = Program 1~10 ( <b>Program 2</b> )		
		Auto Pro Part3 = Program 1~10 ( <b>Program 3</b> )		
	Edit Program	Program 1	Program Test	Testing Program
		:	Step 01=SCxxx	Program In Loop
		Program 10	Step 64=SCxxx	Save and Exit
	Edit Scenes	Scene 001 ~ Scene 250	Pan,Tilt,.....	Save and Automatically Return
			--Fade Time-- --Scene Time--	Manual Scenes Edit
			Input By Outside	Stores Scenes via Ext DMX Console
	Rec. Controller	XX~XX	Automatic Scenes Recorder	

## **PERSONALITY - Status Settings - Address Via DMX**

When ON, define the desired DMX address via an external controller.

**NOTE:** This process assumes the fixture DMX address is set to 001. If fixture DMX address is not at 001, you must adjust the channel numbers accordingly in order for this feature to work.

**For example:** if your fixture address is 010, then Channel 1 becomes Channel 10, Channel 2 becomes Channel 11, and Channel 3 becomes Channel 12.

1. Connect the fixture to the external controller and power ON.
2. Set the DMX value of **Channel 1** on the controller to **(7)**.
3. Set the DMX value of **Channel 2** on the controller to **(7)** or **(8)**.  
When set to **(7)**, the DMX address can be set between **(1)** and **(255)**.  
When set to **(8)**, the DMX address can be set between **(256)** and **(511)**.
4. Using **Channel 3** on the controller set the desired DMX address of the fixture.

**Example 1:** If the desired DMX address is **57**, set **Channel 1** to a value of **(7)**, set **Channel 2** to a value of **(7)**, and then set **Channel 3** to a value of **(57)**.

**Example 2:** If the desired DMX address is **420**, set **Channel 1** to a value of **(7)**, set **Channel 2** to a value of **(8)**, and then set **Channel 3** to a value of **(164)**. ( $256+164=420$ )

5. After setting **Channel 3** to the desired DMX address value, wait for approximately 20 seconds (some fixtures may require a longer time) for the fixture to complete the address reset function.

## **PERSONALITY - Reset Default (011)**



**ONLY QUALIFIED TECHNICIANS SHOULD PERFORM THIS FUNCTION.**

**NOTE: SAVED WHITE BALANCE IS ERASED AFTER A RESET IS PERFORMED.**

This function restores all fixture settings to the factory default settings. The password is **011** and must be entered each time a reset is performed.

## **EFFECT ADJUST - Test Channel**

Auto test each individual channel function independently from the DMX control board.

## **EFFECT ADJUST - Manual Control**

Select, manually test, and fine adjust each channel function independently from DMX control board. This function will center PAN and TILT motors, and set dimmer to 100%. PAN and TILT functions will still operate if the fixture needs to be positioned to a flat clear surface. With the individual functions, you can focus the light on a flat surface (wall) and perform fine adjustments.

## **EFFECT ADJUST – Calibration**



### **ONLY QUALIFIED TECHNICIANS SHOULD PERFORM THIS FUNCTION.**

This function allows small adjustments to be made to the Pan, Tilt, and Zoom movements to compensate for wear or in the event a sensor has been knocked slightly out of place. Because improper use of this function can result in undesired operation, this function has been password protected. The password is **050** and must be entered each time the calibration menu function is entered. Because calibration is an extremely delicate procedure, instructions on performing this action are left out of this manual. For a first time calibrator, please contact our customer support team for step-by-step instructions.

# E - FLY WIRELESS DMX SET UP



**BEFORE SETTING THE WIRELESS CHANNEL ON ANY E-FLY FIXTURE, MAKE SURE THE SOURCE E-FLY WIRELESS DMX TRANSCEIVER DEVICE IS OFF.**

## TO CONTROL FIXTURE WITH E-FLY WIRELESS DMX SIGNAL

1. Ensure the source **E-FLY** wireless DMX Transceiver device is powered **OFF**.
2. Power **ON** fixture and from the LCD control panel and select **DMX & E-FLY** or **E-FLY & OUT** in the **Select Signal** sub menu of the **PERSONALITY** main system menu.
3. From the LCD control panel set the **E-FLY** wireless channel to the same wireless channel of the source **E-FLY** DMX Transceiver device in the **Set E-FLY Chn** sub menu of the **PERSONALITY** main system menu.

**NOTE:** Erratic fixture movement may occur if other **E-FLY** wireless DMX products are in use in the same area and are using the same **E-FLY** wireless channel. When **E-FLY** is enabled, the fixture may immediately start to respond to the DMX wireless signal from another **E-FLY** wireless DMX Transceiver. Make sure to know what **E-FLY** wireless channels are being used in the area where the fixture is being installed.

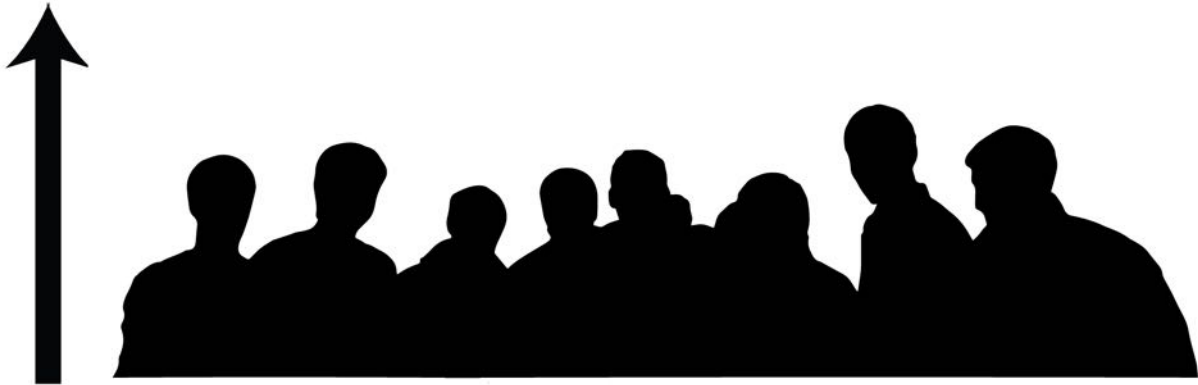
**ELATION E-FLY WIRELESS TRANSCEIVER only has 0-14 wireless channels, NO CH 15.**

4. Set fixture DMX address in the **Set Dmx Address** sub menu of the **FUNCTION** main system menu.
5. The **E-FLY** signal Indicator on the fixture LCD control display will illuminate **GREEN** if a successful wireless DMX connection has been made, or it will illuminate **RED** for NO connection. If no connection is made, repeat steps 1-4 above.
6. Repeat this process for all **E-FLY** compatible fixtures in the E-FLY wireless network, making sure all fixtures are assigned the same **E-FLY** wireless channel.
7. After all fixtures in the **E-FLY** wireless network have been set to the same **E-FLY** wireless channel and powered ON, power ON the source **E-FLY** DMX Transceiver device.
8. Test all fixtures connected to the **E-FLY** wireless network to confirm proper functionality.

## **WIRELESS E-FLY INSTALLATION LOCATION GUIDELINES**

Wireless DMX signal can penetrate walls, glass, metal, and most objects. However, there are many factors that can affect and/or interrupt the wireless DMX signal, one of which is people. Therefore, it is highly recommended to position the wireless antenna a minimum of 9.8 ft. (3m) above audiences and/or above ground level. Careful planning and testing of the selected installation location is critical to ensure optimum and reliable wireless DMX operation.

**9.8 ft (3m)  
Above Ground**



# DMX CHANNEL FUNCTIONS AND VALUES

ELATION PROTEUS HYBRID				
DMX Channel Values / Functions (37 DMX Channels)				
Supports Software Versions: $\geq$ 1.3.1				
Features subject to change without any prior written notice.				
*Rotation direction (Clockwise or Counterclockwise) of effects depends on orientation of the fixture head and Pan/Tilt settings.				
MODE / CHANNEL			FUNCTION	
BASIC	STAND	EXTEND		VALUE
1	1	1		PAN MOVEMENT
			0-255	PAN Movement
	2	2		PAN FINE MOVEMENT [16 BIT]
			0-255	Fine Control of PAN Movement
2	3	3		TILT MOVEMENT
			0-255	TILT Movement
	4	4		TILT MOVEMENT [16 BIT]
			0-255	Fine Control of TILT Movement
3	5	5		CYAN COLOR
			0-255	0-WHITE ~ 255-100% CYAN
		6		CYAN COLOR FINE [16 BIT]
			0-255	CYAN FINE Adjustment
4	6	7		MAGENTA COLOR
			0-255	0-WHITE ~ 255-100% MAGENTA
		8		MAGENTA COLOR FINE [16 BIT]
			0-255	MAGENTA FINE Adjustment
5	7	9		YELLOW COLOR
			0-255	0-WHITE ~ 255-100% YELLOW
		10		YELLOW COLOR FINE [16 BIT]
			0-255	YELLOW FINE Adjustment
6	8	11		CTO COLOR
			0-255	0-WHITE ~ 255-100% CTO
		12		CTO COLOR FINE [16 BIT]
			0-255	CTO FINE Adjustment
7	9	13		COLOR WHEEL
			0-15	OPEN / WHITE
			16-23	RED
			24-31	BLUE
			32-39	GREEN
			40-47	YELLOW
			48-55	PURPLE
			56-63	AQUA
			64-71	ORANGE
			72-79	LIGHT PINK
			80-87	LIME GREEN
			88-95	LIGHT YELLOW
			96-103	MAGENTA
			104-111	CTB
			112-119	CTO
			120-127	UV
			128-189	*Counterclockwise COLOR Rotation from FAST to SLOW
190-193	NO Rotation			
194-255	*Clockwise COLOR Rotation from SLOW to FAST			



**Supports Software Versions: ≥ 1.3.1**

Features subject to change without any prior written notice.

\*Rotation direction (Clockwise or Counterclockwise) of effects depends on orientation of the fixture head and Pan/Tilt settings.

MODE / CHANNEL			VALUE	FUNCTION
BASIC	STAND	EXTEND		
		14		<b>COLOR WHEEL FINE ADJUSTMENT [16 BIT]</b>
			0-255	FINE Adjustment of Color Wheel to Any Position
				<b>ROTATING GOBOS, CONTINUOUS ROTATION [GOBO WHEEL 1]</b>
8	10	15	0-10	BEAM MODE OPEN
			11-21	SPOT MODE OPEN
			22-31	Rotating Gobo 1
			32-41	Rotating Gobo 2
			42-51	Rotating Gobo 3
			52-61	Rotating Gobo 4
			62-71	Rotating Gobo 5
			72-81	Rotating Gobo 6
			82-91	Rotating Gobo 7
			92-101	Rotating Gobo 8
			102-112	Gobo 1 Shake SLOW to FAST
			113-123	Gobo 2 Shake SLOW to FAST
			124-134	Gobo 3 Shake SLOW to FAST
			135-145	Gobo 4 Shake SLOW to FAST
			146-156	Gobo 5 Shake SLOW to FAST
			157-167	Gobo 6 Shake SLOW to FAST
			168-178	Gobo 7 Shake SLOW to FAST
			179-189	Gobo 8 Shake SLOW to FAST
			190-221	*Clockwise Gobo Wheel Rotation from FAST to SLOW
			222-223	NO Rotation
			224-255	*Counterclockwise Gobo Wheel Rotation from SLOW to FAST
				<b>ROTATING GOBOS, INDEX ROTATION [GOBO WHEEL 1]</b>
9	11	16	0-127	Gobo Indexing
			128-189	*Clockwise Gobo Rotation from FAST TO SLOW
			190-193	NO Rotation
			194-255	*Counterclockwise Gobo Rotation from SLOW to FAST
				<b>ROTATING GOBOS, FINE INDEX ROTATION [GOBO WHEEL 1] [16 BIT]</b>
		17	0-255	Gobo Rotation FINE Indexing

**Supports Software Versions: ≥ 1.3.1**

Features subject to change without any prior written notice.

\*Rotation direction (Clockwise or Counterclockwise) of effects depends on orientation of the fixture head and Pan/Tilt settings.

MODE / CHANNEL			VALUE	FUNCTION
BASIC	STAND	EXTEND		
10	12	18		STATIC / FIXED GOBOS [GOBO WHEEL 2]
			0-7	OPEN
			8-14	Static / Fixed Gobo 1
			15-21	Static / Fixed Gobo 2
			22-28	Static / Fixed Gobo 3
			29-35	Static / Fixed Gobo 4
			36-42	Static / Fixed Gobo 5
			43-49	Static / Fixed Gobo 6
			50-56	Static / Fixed Gobo 7
			57-63	Static / Fixed Gobo 8
			64-70	Static / Fixed Gobo 9
			71-77	Static / Fixed Gobo 10
			78-84	Static / Fixed Gobo 11
			85-91	Static / Fixed Gobo 12
			92-98	Static / Fixed Gobo 13
			99-105	Static / Fixed Gobo 14
			106-111	Shake SLOW to FAST Static / Fixed Gobo 1
			112-117	Shake SLOW to FAST Static / Fixed Gobo 2
			118-123	Shake SLOW to FAST Static / Fixed Gobo 3
			124-129	Shake SLOW to FAST Static / Fixed Gobo 4
			130-135	Shake SLOW to FAST Static / Fixed Gobo 5
			136-141	Shake SLOW to FAST Static / Fixed Gobo 6
			142-147	Shake SLOW to FAST Static / Fixed Gobo 7
			148-153	Shake SLOW to FAST Static / Fixed Gobo 8
			154-159	Shake SLOW to FAST Static / Fixed Gobo 9
			160-165	Shake SLOW to FAST Static / Fixed Gobo 10
			166-171	Shake SLOW to FAST Static / Fixed Gobo 11
			172-177	Shake SLOW to FAST Static / Fixed Gobo 12
			178-183	Shake SLOW to FAST Static / Fixed Gobo 13
			184-189	Shake SLOW to FAST Static / Fixed Gobo 14
190-221	*Clockwise Gobo Wheel Rotation from FAST to SLOW			
222-223	NO ROTATION			
224-255	*Counterclockwise Gobo Wheel Rotation from SLOW to FAST			
		19		STATIC / FIXED GOBOS, FINE INDEX ROTATION [GOBO WHEEL 2] [16 BIT]
			0-255	Gobo Rotation FINE Indexing

**Supports Software Versions: ≥ 1.3.1**

Features subject to change without any prior written notice.

\*Rotation direction (Clockwise or Counterclockwise) of effects depends on orientation of the fixture head and Pan/Tilt settings.

MODE / CHANNEL			VALUE	FUNCTION
BASIC	STAND	EXTEND		
11	13	20		<b>ROTATING PRISM, PRISM / GOBO MACROS</b>
			0-31	OPEN
			32-63	8-FACET PRISM
			64-95	LINE PRISM
			96-127	8-FACET + LINE PRISMS
			128-135	Prism / Gobo Macro 1
			136-143	Prism / Gobo Macro 2
			144-151	Prism / Gobo Macro 3
			152-159	Prism / Gobo Macro 4
			160-167	Prism / Gobo Macro 5
			168-175	Prism / Gobo Macro 6
			176-183	Prism / Gobo Macro 7
			184-191	Prism / Gobo Macro 8
			192-199	Prism / Gobo Macro 9
			200-207	Prism / Gobo Macro 10
			208-215	Prism / Gobo Macro 11
			216-223	Prism / Gobo Macro 12
			224-231	Prism / Gobo Macro 13
232-239	Prism / Gobo Macro 14			
240-247	Prism / Gobo Macro 15			
248-255	Prism / Gobo Macro 16			

**DMX CHANGE WITH SOFTWARE UPDATE VERSION ≥1.5.0**

See highlighted items below which have been updated with this software update.

**Supports Software Versions: ≥ 1.5.0**

Features subject to change without any prior written notice.

\*Rotation direction (Clockwise or Counterclockwise) of effects depends on orientation of the fixture head and Pan/Tilt settings.

11	13	20		<b>ROTATING PRISM, PRISM / GOBO MACROS</b>
			0-31	OPEN
			32-64	8-FACET PRISM
			65-94	LINE PRISM
			95-127	8-FACET + LINE PRISMS
			128-135	Prism / Gobo Macro 1
			136-143	Prism / Gobo Macro 2
			144-151	Prism / Gobo Macro 3
			152-159	Prism / Gobo Macro 4
			160-167	Prism / Gobo Macro 5
			168-175	Prism / Gobo Macro 6
			176-183	Prism / Gobo Macro 7
			184-191	Prism / Gobo Macro 8
			192-199	Prism / Gobo Macro 9
			200-207	Prism / Gobo Macro 10
			208-215	Prism / Gobo Macro 11
			216-223	Prism / Gobo Macro 12
			224-231	Prism / Gobo Macro 13
232-239	Prism / Gobo Macro 14			
240-247	Prism / Gobo Macro 15			
248-255	Prism / Gobo Macro 16			

**Supports Software Versions: ≥ 1.3.1**

Features subject to change without any prior written notice.

\*Rotation direction (Clockwise or Counterclockwise) of effects depends on orientation of the fixture head and Pan/Tilt settings.

MODE / CHANNEL			VALUE	FUNCTION
BASIC	STAND	EXTEND		
12	14	21		<b>ROTATING PRISM, PRISM INDEX ROTATION</b>
			0-127	Prism Indexing
			128-189	*Clockwise Prism Rotation from FAST to SLOW
			190-193	NO Rotation
			194-255	*Counterclockwise Prism Rotation from SLOW to FAST
		22		<b>ROTATING PRISM, PRISM FINE INDEX ROTATION [16 BIT]</b>
			0-255	Gobo Rotation FINE Indexing
13	15	23		<b>FOCUS</b>
			0-255	Continuous Adjustment from NEAR to FAR
		24		<b>FOCUS FINE [16 BIT]</b>
			0-255	Continuous FINE Adjustment
14	16	25		<b>ZOOM</b>
			0-255	Continuous Adjustment from NEAR to FAR
		26		<b>ZOOM FINE [16 BIT]</b>
			0-255	Continuous FINE Adjustment
15	17	27		<b>AUTO FOCUS</b>
			0-50	Auto Focus OFF
			51-150	49 feet   15m
			151-255	65 feet   20m
16	18	28		<b>AUTO FOCUS FINE [16 BIT]</b>
			0-255	Auto Focus Continuous FINE Adjustment
17	19	29		<b>SHUTTER, STROBE</b>
			0-31	Shutter CLOSED
			32-63	NO Function (Shutter OPEN)
			64-95	Strobe Effect SLOW to FAST
			96-127	NO function (Shutter OPEN)
			128-159	Pulse Effect In Sequences
			160-191	NO Function (Shutter OPEN)
			192-223	Random Strobe Effect SLOW to FAST
			224-255	NO Function (Shutter OPEN)
18	20	30		<b>DIMMER INTENSITY</b>
			0-255	Intensity 0 to 100%
		31		<b>DIMMER INTENSITY FINE [16 BIT]</b>
			0-255	Intensity 0 to 100%
19	21	32		<b>FROST</b>
			0-127	Disable FROST
			128-255	Enable FROST
20	22	33		<b>ANIMATION WHEEL</b>
			0-7	CLOSE
			8-127	*Clockwise Rotation FAST to SLOW
			128-135	NO ROTATION
			136-255	*Counterclockwise from SLOW to FAST
21	23	34		<b>CMY SPEED</b>
			0-255	Speed MAX to MIN

**Supports Software Versions: ≥ 1.3.1**

Features subject to change without any prior written notice.

\*Rotation direction (Clockwise or Counterclockwise) of effects depends on orientation of the fixture head and Pan/Tilt settings.

MODE / CHANNEL			VALUE	FUNCTION
BASIC	STAND	EXTEND		
22	24	35		<b>CMY MACROS</b>
			0-31	OFF
			32-39	Macro 01
			40-47	Macro 02
			48-55	Macro 03
			56-63	Macro 04
			64-71	Macro 05
			72-79	Macro 06
			80-87	Macro 07
			88-95	Macro 08
			96-103	Macro 09
			104-111	Macro 10
			112-119	Macro 11
			120-127	Macro 12
			128-135	Macro 13
			136-143	Macro 14
			144-151	Macro 15
			152-159	Macro 16
			160-167	Macro 17
			168-175	Macro 18
			176-183	Macro 19
			184-191	Macro 20
			192-199	Macro 21
			200-207	Macro 22
			208-215	Macro 23
			216-223	Macro 24
			224-231	Macro 25
232-239	Macro 26			
240-247	Macro 27			
248-255	Random CMY			
23	25	36		<b>PAN / TILT MOVEMENT SPEED</b>
			0-225	MAX to MIN Speed
			226-235	Blackout by Movement
			236-245	Blackout by ALL Wheel Movement
			246-255	NO FUNCTION



**Supports Software Versions: ≥ 1.3.1**

Features subject to change without any prior written notice.

\*Rotation direction (Clockwise or Counterclockwise) of effects depends on orientation of the fixture head and Pan/Tilt settings.

MODE / CHANNEL			VALUE	FUNCTION
BASIC	STAND	EXTEND		
24	26	37		LAMP ON/OFF, RESET, INTERNAL PROGRAMS
			0-19	COLOR Change Normal
			20-29	COLOR Change to Any Position
			30-39	COLOR and FIXED GOBO Change to Any Position
			40-59	LAMP ON
			60-79	LAMP SWITCH OFF
			80-84	ALL Motors Reset
			85-87	SCAN Motor Reset
			88-90	COLOR Motors Reset
			91-93	GOBO Motors Reset
			94-96	SHUTTER and DIMMER Motor Reset
			97-99	OTHER Motors Reset
			100-119	Internal Program 1
			120-139	Internal Program 2
			140-159	Internal Program 3
			160-179	Internal Program 4
			180-199	Internal Program 5
			200-219	Internal Program 6
			220-239	Internal Program 7
240-255	NO FUNCTION			

## DMX CHANGE WITH SOFTWARE UPDATE VERSION ≥1.6.2

See highlighted items below which have been updated with this software update

Supports Software Versions: ≥ 1.6.2

Features subject to change without any prior written notice.

\*Rotation direction (Clockwise or Counterclockwise) of effects depends on orientation of the fixture head and Pan/Tilt settings.

MODE / CHANNEL			VALUE	FUNCTION
BASIC	STAND	EXTEND		
24	26	37		LAMP ON/OFF, RESET, INTERNAL PROGRAMS
			0-19	COLOR Change Normal
			20-29	COLOR Change to Any Position
			30-39	COLOR and FIXED GOBO Change to Any Position
			40-59	LAMP ON
			60-79	LAMP SWITCH OFF
			80-84	ALL Motors Reset
			85-87	SCAN Motor Reset
			88-90	COLOR Motors Reset
			91-93	GOBO Motors Reset
			94-96	SHUTTER and DIMMER Motor Reset
			97-99	OTHER Motors Reset
			100-119	Internal Program 1
			120-139	Internal Program 2
			140-159	Internal Program 3
			160-179	Internal Program 4
			180-199	Internal Program 5
			200-219	Internal Program 6
			220-239	Internal Program 7
			240-241	DIMMING STANDARD
			242-243	DIMMING LINEAR
			244-245	DIMMING SQUARE
			246-247	DIMMING INVERSE SQUARE
			248-249	DIMMING S-CURVE
			250-255	RESERVED
			240-255	NO FUNCTION

## ERROR CODES

When power is applied, the unit will automatically enter a “**Reset/Test**” mode. This mode brings all the internal motors to a home position. If there is an internal problem with one or more of the motors, an error code will flash in the display in the form of “**XXer**”, where XX represents a function number. For example, when the display shows “**0Er**”, it means there is some type of error with the Pan motor. If there are multiple errors during the start-up process, they will all flash in the display. For example: if the fixtures has errors on **Channel 1, 2, and 5** all at the same time, you will see the error message “**01Er**”, “**02Er**”, and “**05Er**” flash 5 times.

If an error does occur during the initial start-up procedure, the fixture will self-generate a second reset signal and try to realign all the motors and correct the errors. If the error persists after a second attempt, a third attempt will be made. If after a third attempt all the errors have not been corrected, the fixture will make the following determinations:

- **3 or More Errors** - The fixture cannot function properly with three or more errors; therefore, the fixture will place itself in a stand-by mode until subsequent repairs can be made.
- **Less Than 3 Errors** - The fixture has less than 3 errors; therefore, most other functions will work properly. The fixture will attempt to operate normally until the errors can be corrected by a technician. The errors in question will remain flashing in the display as a reminder of internal errors.



### **BALLAST ERROR NOTE**

**IF A BALLAST ERROR MESSAGES APPEARS, TURN THE LAMP OFF FOR 3-5 MINUTES TO RESET THE BALLAST. IF AFTER 5 MINUTES A BALLAST ERROR MESSAGE STILL APPEARS, POWER THE FIXTURE OFF TO RESET BALLAST. IF A BALLAST MESSAGE STILL APPEARS, PLEASE CONSULT ELATION CUSTOMER SUPPORT.**

## ERROR CODES

Error Codes are subject to change without any prior written notice.

ERROR CODE	DESCRIPTION
<b>PAN Er</b>	The PAN movement is not located in the default position after the reset. This message will appear after a fixture reset if the magnetic-indexing circuit malfunctions (sensor failed, or magnet is missing) or there is a motor failure (defective motor, or a defective motor IC drive on the main PCB). This error may also be displayed if the head/yoke was blocked during a reset function.
<b>TILT Er</b>	The TILT movement is not located in the default position after the reset. This message will appear after a fixture reset if the magnetic-indexing circuit malfunctions (sensor failed, or magnet is missing) or there is a motor failure (defective motor, or defective motor IC drive on main PCB). This error may also be displayed if the head was blocked during a reset function.
<b>Cyan Wheel Er</b>	The Cyan Color Wheel is not located in the default position after the reset. This message will appear after the reset of the fixture reset if the magnetic-indexing circuit malfunctions (sensor failed, or magnet is missing) or there is a stepper motor failure (defective motor, or defective motor IC drive on main PCB).
<b>Magenta Wheel Er</b>	The Magenta Color Wheel is not located in the default position after the reset. This message will appear after the reset of the fixture reset if the magnetic-indexing circuit malfunctions (sensor failed, or magnet is missing) or there is a stepper motor failure (defective motor, or defective motor IC drive on main PCB).
<b>Yellow Wheel Er</b>	The Yellow Color Wheel is not located in the default position after the reset. This message will appear after the reset of the fixture reset if the magnetic-indexing circuit malfunctions (sensor failed, or magnet is missing) or there is a stepper motor failure (defective motor, or defective motor IC drive on main PCB).
<b>Color Wheel Er</b>	The Color Wheel is not located in the default position after the reset. This message will appear after the reset of the fixture reset if the magnetic-indexing circuit malfunctions (sensor failed, or magnet is missing) or there is a stepper motor failure (defective motor, or defective motor IC drive on main PCB).
<b>CTO Wheel Er</b>	The CTO Color Wheel movement is not located in the default position after the reset. This message will appear after a fixture reset if the gobo wheel's magnetic-indexing circuit malfunctions (sensor failed, or magnet is missing) or there is a stepper motor failure (defective motor, or defective motor IC drive on main PCB).
<b>Rotating Gobo Wheel Er</b>	The Rotating Gobo Wheel movement is not located in the default position after the reset. This message will appear after a fixture reset if the gobo wheel's magnetic-indexing circuit malfunctions (sensor failed, or magnet is missing) or there is a stepper motor failure (defective motor, or defective motor IC drive on main PCB).

## ERROR CODES

Specifications and features are subject to change without any prior written notice.

ERROR CODE	DESCRIPTION
<b>Rotating Gobo Rotation Er</b>	The Rotating Gobo rotation movement is not located in the default position after the reset. This message will appear after a fixture reset if the gobo wheel's magnetic-indexing circuit malfunctions (sensor failed, or magnet is missing) or there is a stepper motor failure (defective motor, or defective motor IC drive on main PCB).
<b>Fixed Gobo Wheel Er</b>	The Fixed Gobo Wheel movement is not located in the default position after the reset. This message will appear after a fixture reset if the gobo wheel's magnetic-indexing circuit malfunctions (sensor failed, or magnet is missing) or there is a stepper motor failure (defective motor, or defective motor IC drive on main PCB).
<b>Prism Wheel 1 Er</b>	The Prism Wheel 1 movement is not located in the default position after the reset. This message will appear after a fixture reset if the gobo wheel's magnetic-indexing circuit malfunctions (sensor failed, or magnet is missing) or there is a stepper motor failure (defective motor, or defective motor IC drive on main PCB).
<b>Prism Rotation Wheel 1 Er</b>	The Prism Wheel 1 rotation movement is not located in the default position after the reset. This message will appear after a fixture reset if the gobo wheel's magnetic-indexing circuit malfunctions (sensor failed, or magnet is missing) or there is a stepper motor failure (defective motor, or defective motor IC drive on main PCB).
<b>Prism Wheel 2 Er</b>	The Prism Wheel 2 movement is not located in the default position after the reset. This message will appear after a fixture reset if the gobo wheel's magnetic-indexing circuit malfunctions (sensor failed, or magnet is missing) or there is a stepper motor failure (defective motor, or defective motor IC drive on main PCB).
<b>Prism Rotation Wheel 2 Er</b>	The Prism Wheel 2 rotation movement is not located in the default position after the reset. This message will appear after a fixture reset if the gobo wheel's magnetic-indexing circuit malfunctions (sensor failed, or magnet is missing) or there is a stepper motor failure (defective motor, or defective motor IC drive on main PCB).
<b>Focus Er</b>	The Focus movement is not located in the default position after the reset. This message will appear after the reset of the fixture reset if the magnetic-indexing circuit malfunctions (sensor failed, or magnet is missing) or there is a stepper motor failure (defective motor, or defective motor IC drive on main PCB).
<b>Zoom Er</b>	The Zoom movement is not located in the default position after the reset. This message will appear after a fixture reset if the gobo wheel's magnetic-indexing circuit malfunctions (sensor failed, or magnet is missing) or there is a stepper motor failure (defective motor, or defective motor IC drive on main PCB).



## ERROR CODES

Error Codes are subject to change without any prior written notice.

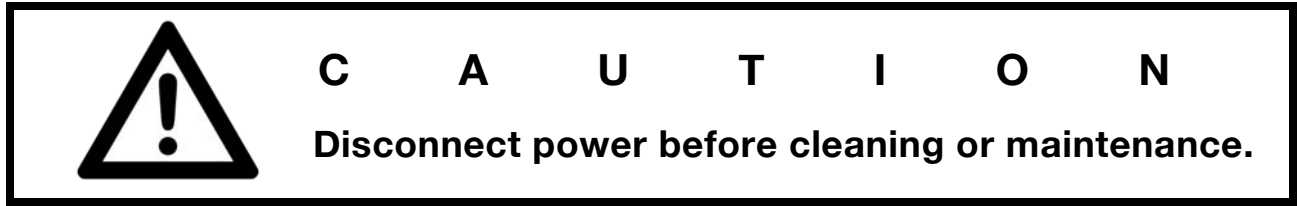
ERROR CODE	DESCRIPTION
<b>Animation Wheel Er</b>	The Animation Wheel movement is not located in the default position after the reset. This message will appear after a fixture reset if the magnetic-indexing circuit malfunctions (sensor failed, or magnet is missing) or there is a motor failure (defective motor, or a defective motor IC drive on the main PCB). This error may also be displayed if the head/yoke was blocked during a reset function.
<b>Dimmer Er</b>	The Dimmer movement is not located in the default position after the reset. This message will appear after a fixture reset if the magnetic-indexing circuit malfunctions (sensor failed, or magnet is missing) or there is a motor failure (defective motor, or defective motor IC drive on main PCB). This error may also be displayed if the head was blocked during a reset function.
<b>Frost Wheel Er</b>	The Frost Wheel is not located in the default position after the reset. This message will appear after the reset of the fixture reset if the magnetic-indexing circuit malfunctions (sensor failed, or magnet is missing) or there is a stepper motor failure (defective motor, or defective motor IC drive on main PCB).
<b>Fan Moving Wheel Er</b>	The Fan Moving Wheel is not located in the default position after the reset. This message will appear after the reset of the fixture reset if the magnetic-indexing circuit malfunctions (sensor failed, or magnet is missing) or there is a stepper motor failure (defective motor, or defective motor IC drive on main PCB).
<b>Array Lens Wheel Er</b>	The Array Lens Wheel is not located in the default position after the reset. This message will appear after the reset of the fixture reset if the magnetic-indexing circuit malfunctions (sensor failed, or magnet is missing) or there is a stepper motor failure (defective motor, or defective motor IC drive on main PCB).
<b>1U_FanJB1Fault</b>	Error information from JB1 port on 1U01 PCB.
<b>1U_FanJB2Fault</b>	Error information from JB2 port on 1U01 PCB.
<b>3U_FanJB1Fault</b>	Error information from JB1 port on 3U PCB.
<b>3U_FanJB2Fault</b>	Error information from JB2 port on 3U PCB.
<b>4U_FanJB2Fault</b>	Error information from JB2 port on 4U PCB.
<b>5U_FanJB1Fault</b>	Error information from JB1 port on 5U PCB.
<b>6U_FanJB1Fault</b>	Error information from JB1 port on 6U PCB.
<b>7U_FanJB1Fault</b>	Error information from JB1 port on 7U PCB.
<b>7U_FanJB2Fault</b>	Error information from JB2 port on 7U PCB.
<b>7U_FanJB3Fault</b>	Error information from JB3 port on 7U PCB.

## ERROR CODES

Error Codes are subject to change without any prior written notice.

ERROR CODE	DESCRIPTION
<b>Accelerometer Err</b>	Accelerometer calibration failure.
<b>Accelerometer ID Error</b>	Accelerometer fail to read ID information.
<b>Ballast Fault_1</b>	Lamp over voltage. (See <b>BALLAST ERROR NOTE</b> page 36)
<b>Ballast Fault_2</b>	Input voltage too high. (See <b>BALLAST ERROR NOTE</b> page 36)
<b>Ballast Fault_3</b>	Temperature too high. (See <b>BALLAST ERROR NOTE</b> page 36)
<b>Ballast Fault_4</b>	Asymmetry detected. (See <b>BALLAST ERROR NOTE</b> page 36)
<b>Ballast Fault_5</b>	Lamp under voltage. (See <b>BALLAST ERROR NOTE</b> page 36)
<b>Ballast Fault_6</b>	Input voltage too low. (See <b>BALLAST ERROR NOTE</b> page 36)
<b>Ballast Fault_8</b>	NTC defective. (See <b>BALLAST ERROR NOTE</b> page 36)
<b>Ballast Fault_Other</b>	These fault modes are related to driver internal software and hardware malfunction.
<b>BallastWasOver Hot</b>	Record and feedback that fixture once appeared lamp off issue because of ballast temp too high.
<b>Ballast_Uart_Fail</b>	
<b>ShiftFanFault</b>	
<b>Pan Reset Fail</b>	
<b>Tilt Reset Fail</b>	
<b>REPLACE THE LAMP</b>	
<b>Excess Humidity</b>	Humidity >85%
<b>Humidity Warning</b>	Humidity=70%
<b>2U01 Com Fail</b>	IC Chip failure.
<b>3U01 Com Fail</b>	IC Chip failure.
<b>4U01 Com Fail</b>	IC Chip failure.
<b>5U01 Com Fail</b>	IC Chip failure.
<b>6U01 Com Fail</b>	IC Chip failure.
<b>7U01 Com Fail</b>	IC Chip failure.
<b>8U01 Com Fail</b>	IC Chip failure.
<b>9U01 Com Fail</b>	IC Chip failure.

# MAINTENANCE



## CLEANING

Frequent cleaning is recommended to insure proper function, optimized light output, and an extended life. The frequency of cleaning depends on the environment in which the fixture operates: damp, smoky or particularly dirty environments can cause greater accumulation of dirt on the fixture's optics.

Clean the external lens surface at least every 20 days with a soft cloth to avoid dirt/debris accumulation. **NEVER** use alcohol, solvents, or ammonia-based cleaners.

## MAINTENANCE

Regular inspections are recommended to insure proper function and extended life.

There are no user serviceable parts inside this fixture; please refer all other service issues to an authorized Elation service technician. Should you need any spare parts, please order genuine parts from your local Elation dealer.

Please refer to the following points during routine inspections:

A detailed electric check by an approved electrical engineer every three months to make sure the circuit contacts are in good condition and prevent overheating.

Be sure all screws and fasteners are securely tightened at all times. Loose screws may fall out during normal operation resulting in damage or injury as larger parts could fall.

Check for any deformations on the housing, color lenses, rigging hardware, and rigging points (ceiling, suspension, trussing). Deformations in the housing could allow for dust to enter into the fixture. Damaged rigging points or unsecured rigging could cause the fixture to fall and seriously injure a person(s).

Electric power supply cables must not show any damage, material fatigue, or sediments. Never remove the ground prong from the power cable.

# SPECIFICATIONS

## SOURCE

Philips MSD Platinum 21R 470W 80CRI 8,000K Lamp  
1,500 Hour Average Lamp Life\*

\*May vary depending on several factors including but not limited to:  
Environmental Conditions, Power/Voltage, Usage Patterns (On-Off Cycling), Control, and Dimming.

## EFFECTS

8-Facet and Line Rotating Prisms and Prism Macros  
CMY Color Macros  
Frost Filter Hybrid Wash Effect  
Bi-Directional Full Rotation Animation Wheel Effect  
Motorized Zoom, Focus and Auto-Focus  
High Speed Mechanical Shutter and Strobe  
Full Range Dimming 0-100%

## COLOR

14 Dichroic Colors including CTB, CTO, and UV  
Full CMY Color Mixing

## GOBOS

(8) Interchangeable Rotating / Indexing Glass Gobos  
(14) Static-Stamped Metal Gobos

## CONTROL / CONNECTIONS

(3) DMX Channel Modes (37 total channels)  
6 Button Touch Control Panel  
Full Color 180° Reversible LCD Menu Display  
8 / 16 Bit Resolution Adjustable Movement  
DMX, RDM, Art-NET and sACN Protocol Support  
Elation E-FLY™ Internal Wireless DMX Transceiver  
IP65 5pin DMX In/Out  
IP65 RJ45 Ethernet In/Out  
IP65 powerCON TRUE1 Power In

## SIZE / WEIGHT

Length: 18.4" (465mm)  
Width: 22.5" (571mm)  
Vertical Height: 37.1" (805mm)  
Weight: 84.0 lbs. (38.0 kg)

## ELECTRICAL / THERMAL

AC 100-240V - 50/60Hz  
750W Max Power Consumption  
-4°F to 113°F (-20°C to 45°C)

## APPROVALS / RATINGS



## FCC STATEMENT

This device complies with Part 15 of the FCC Rules. Operation is subject to the following two conditions: (1) this device may not cause harmful interference, and (2) this device must accept any interference received, including interference that may cause undesired operation.

## FCC RADIO FREQUENCY INTERFERENCE WARNINGS & INSTRUCTIONS

This product has been tested and found to comply with the limits as per Part 15 of the FCC Rules. These limits are designed to provide reasonable protection against harmful interference in a residential installation. This device uses and can radiate radio frequency energy and, if not installed and used in accordance with the included instructions, may cause harmful interference to radio communications. However, there is no guarantee that interference will not occur in a particular installation. If this device does cause harmful interference to radio or television reception, which can be determined by turning the device off and on, the user is encouraged to try to correct the interference by one or more of the following methods:

- Reorient or relocate the device.
- Increase the separation between the device and the receiver.
- Connect the device to an electrical outlet on a circuit different from which the radio receiver is connected.
- Consult the dealer or an experienced radio/TV technician for help.

# COLORS AND GOBOS

## COLOR FLAGS



## COLOR WHEEL



## INTERCHANGEABLE-ROTATING GOBO WHEEL 1

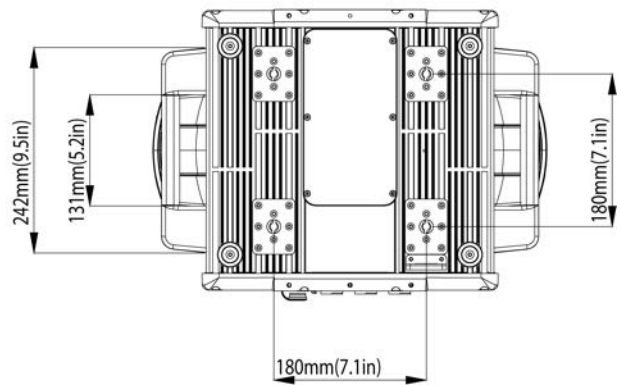
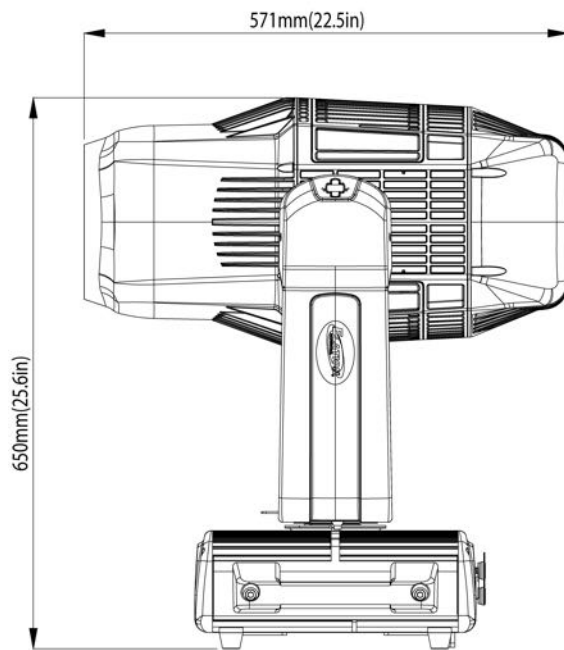
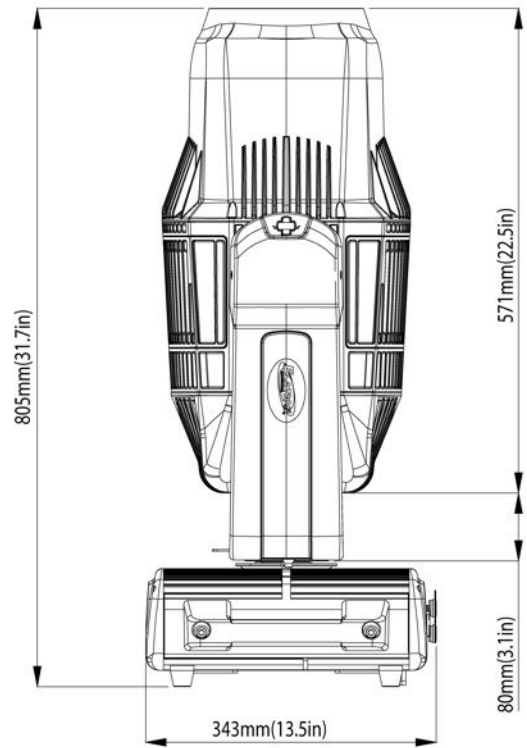
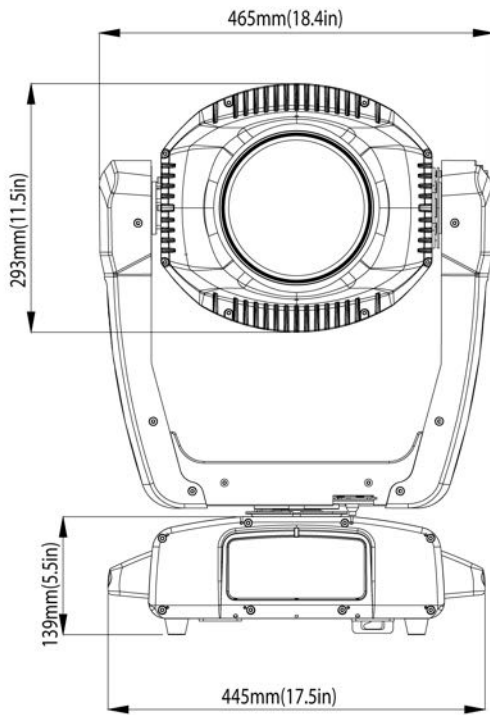


## STATIC-FIXED GOBO WHEEL 2





# DIMENSIONAL DRAWINGS



## OPTIONAL ACCESSORIES

ORDER CODE	ITEM
TRIGGER CLAMP	Heavy Duty Wrap Around Hook Style Clamp
SCABLE60	Safety Cable 24" (610mm) 60 lbs. (27kg) Rating
ELF001	E-FLY™ Wireless DMX Transceiver
DRCPROHYBRID1	Single Road Case for PROTEUS HYBRID
DRCPROHYBX2W	Dual Road Case for PROTEUS HYBRID
IP TESTER	IP Fixture Vacuum and Pressure Leak Tester

