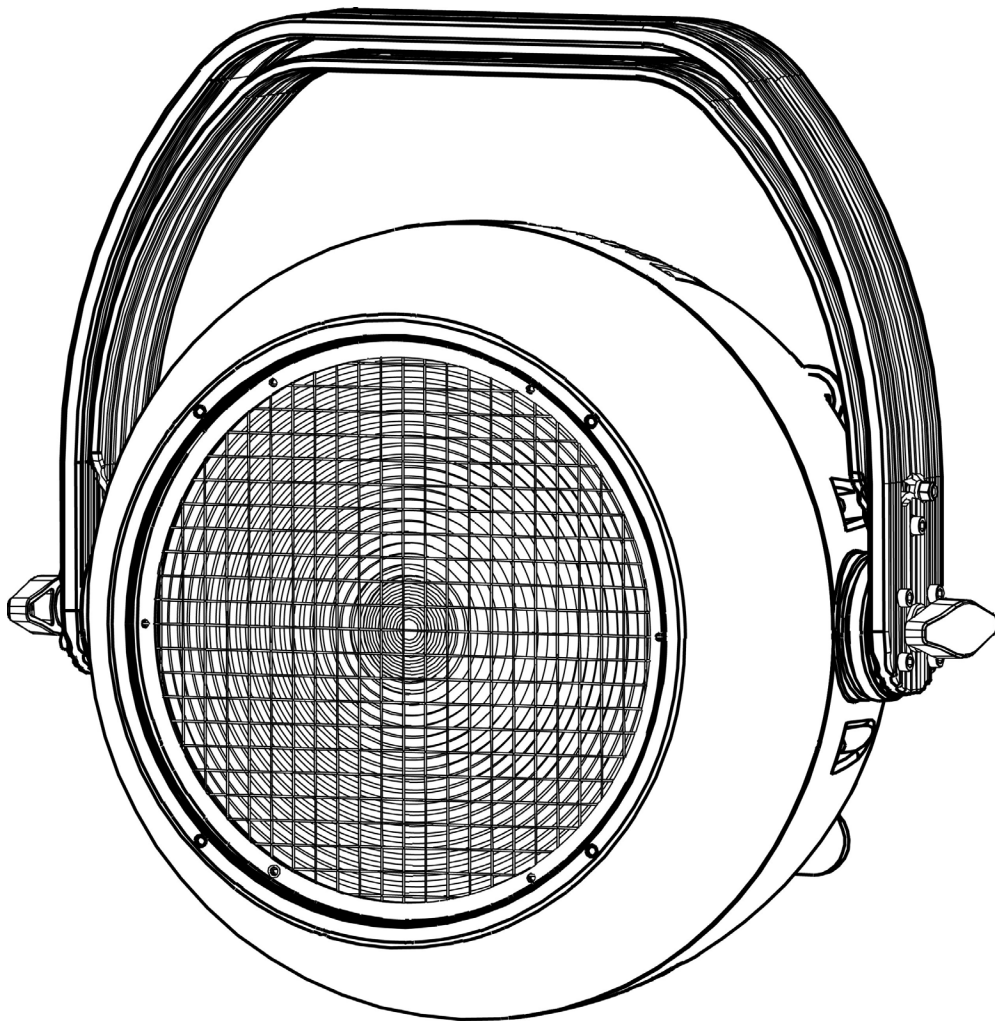


STRIKE 1

User Manual




CHAUVET
PROFESSIONAL

Edition Notes

The STRIKE 1 User Manual includes a description, safety precautions, installation, programming, operation and maintenance instructions for the STRIKE 1 as of the release date of this edition.

Trademarks

CHAUVET, the Chauvet logo and STRIKE 1 are registered trademarks or trademarks of Chauvet & Sons, LLC (d/b/a Chauvet and Chauvet Lighting) in the United States and other countries. Other company and product names and logos referred to herein may be trademarks of their respective companies.

Copyright Notice

The works of authorship contained in this manual, including, but not limited to, all design, text and images are owned by Chauvet.

© Copyright 2018 Chauvet & Sons, LLC. All rights reserved.

Electronically published by Chauvet in the United States of America.

Manual Use

Chauvet authorizes its customers to download and print this manual for professional information purposes only. Chauvet expressly prohibits the usage, copy, storage, distribution, modification, or printing of this manual or its content for any other purpose without written consent from Chauvet.

Document Printing

For best results, print this document in color, on letter size paper (8.5 x 11 in), double-sided. If using A4 paper (210 x 297 mm), configure the printer to scale the content accordingly.

Intended Audience

Any person installing, operating, and/or maintaining this product should completely read through the guide that shipped with the product, as well as this manual, before installing, operating, or maintaining this product.

Disclaimer

Chauvet believes that the information contained in this manual is accurate in all respects. However, Chauvet assumes no responsibility and specifically disclaims any and all liability to any party for any loss, damage or disruption caused by any errors or omissions in this document, whether such errors or omissions result from negligence, accident or any other cause. Chauvet reserves the right to revise the content of this document without any obligation to notify any person or company of such revision, however, Chauvet has no obligation to make, and does not commit to make, any such revisions. Download the latest version from www.chauvetprofessional.com.

Document Revision

This STRIKE 1 User Manual is the 6th edition of this document. Go to www.chauvetprofessional.com for the latest version.

TABLE OF CONTENTS

1. Before You Begin	1
What Is Included	1
Claims	1
Manual Conventions	1
Symbols	1
Safety Notes.....	2
Personal Safety.....	2
Mounting and Rigging	2
Power and Wiring.....	2
Operation	2
Expected LED Lifespan.....	2
2. Introduction	3
Description	3
Features.....	3
Product Overview.....	3
Product Dimensions.....	4
3. Setup	5
AC Power.....	5
AC Plug.....	5
Power Linking.....	5
DMX Linking.....	5
DMX Personalities.....	5
Remote Device Management (RDM).....	6
Master/Slave Connectivity.....	6
Mounting	6
Orientation.....	6
Rigging.....	6
STRIKE 1 Multi-Bracket	7
Procedure.....	8
4. Operation	9
Control Panel Operation.....	9
Control Options	9
Programming.....	9
Control Panel Lock.....	9
Passcode	9
Menu Map	9
Configuration (DMX)	10
DMX Personalities.....	10
DMX Control.....	10
DMX Values	11
6 Ch.....	11
5 Ch.....	11
4 Ch.....	12
3 Ch.....	12
1 Ch.....	12
Configuration (Standalone)	13
Static Mode	13
Auto Programs	13
Red Shift	13
Master/Slave	13
Dimmer Profiles.....	13

LED Frequency	13
Fan Mode	14
Back Light	14
System Information	14
Factory Reset.....	14
5. Technical Information	15
Product Maintenance	15
6. Technical Specifications	16
Photometrics Chart	17
7. Returns.....	18
Contact Us	19

Before You Begin

1. Before You Begin

What Is Included

- STRIKE 1
- Seetronic Powerkon IP65 Power Cord
- Multi-Bracket
- Quick Reference Guide

Claims

Carefully unpack the product immediately and check the container to make sure all the parts are in the package and are in good condition.





If the box or the contents (the product and included accessories) appear damaged from shipping, or show signs of mishandling, notify the carrier immediately, not Chauvet. Failure to report damage to the carrier immediately may invalidate your claim. In addition, keep the box and contents for inspection.

For other issues, such as missing components or parts, damage not related to shipping, or concealed damage, file a claim with Chauvet within 7 days of delivery.

Manual Conventions

Convention	Meaning
1–512	A range of values
50/60	A set of values of which only one can be chosen
<SET>	A button on the product's control panel
Settings	A product function or a menu option

Symbols

Symbol	Meaning
	Electrical warning. Not following these instructions may cause electrical damage to the product, accessories, or the user.
	Critical installation, configuration, or operation information. Not following these instructions may make the product not work, cause damage to the product, or cause harm to the operator.
	Important installation or configuration information. The product may not function correctly if this information is not used.
	Useful information.



Any reference to data or power connections in this manual assumes the use of Seetronic IP rated cables.



The term “DMX” used throughout this manual refers to the USITT DMX512-A digital data transmission protocol.

Safety Notes

Read all the following safety notes before working with this product. These notes contain important information about the installation, usage, and maintenance of this product.



This product contains no user-serviceable parts. Any reference to servicing in this User Manual will only apply to properly trained, certified technicians. Do not open the housing or attempt any repairs.



All applicable local codes and regulations apply to proper installation of this product.

Personal Safety

- Avoid direct eye exposure to the light source while the product is on.
- Always disconnect the product from the power source before cleaning or replacing the fuse.
- Always connect the product to a grounded circuit to avoid the risk of electrocution.
- Do not touch the product's housing when operating because it may be very hot.

Mounting and Rigging

- Do not submerge this product (IP65). Temporary outdoor operation is fine.
- When using this product in an outdoor environment, use IP65 (or higher) rated power and data cables. Secure unused power and data ports with attached IP65 covers.
- CAUTION: When transferring product from extreme temperature environments, (e.g., cold truck to warm, humid ballroom) condensation may form on the internal electronics of the product. To avoid causing a failure, allow product to fully acclimate to the surrounding environment before connecting it to power.
- Not for permanent outdoor installation in locations with extreme environmental conditions. This includes, but is not limited to:
 - Exposure to a marine/saline environment (within 3 miles of a saltwater body of water).
 - Locations where the normal high or low temperatures exceed the temperature ranges in this manual.
 - Locations that are prone to flooding or being buried in snow.
 - Areas where the product will be subjected to extreme radiation or caustic substances.
- Mount this product in a location with adequate ventilation, at least 20 in (50 cm) from adjacent surfaces.
- Make sure there are no flammable materials close to the product when operating.
- When hanging this product, always secure to a fastening device using a safety cable.

Power and Wiring

- Always make sure you are connecting the product to the proper voltage in accordance with the specifications in this manual or on the product's specification label.
- Never connect the product to a dimmer pack or rheostat.
- Never disconnect this product by pulling or tugging on the power cable.

Operation

- Do not operate this product if there is damage on the housing, lenses, or cables. Have the damaged parts replaced by an authorized technician at once.
- Do not cover the ventilation slots when operating to avoid internal overheating.
- The maximum ambient temperature is 113 °F (45 °C). Do not operate the product at higher temperatures.
- In the event of a serious operation problem, stop using this product immediately!



If your Chauvet product requires service, contact Chauvet Technical Support.

Expected LED Lifespan

LEDs gradually decline in brightness over time, primarily because of heat. LEDs that are arranged in clusters experience higher operating temperatures than single LEDs. For this reason, operating clustered LEDs at their fullest intensity significantly reduces the LEDs' lifespan. Under normal conditions, this lifespan is 40,000 to 50,000 hours. If extending this lifespan is vital, lower the operating temperature by improving the ventilation around the product, thus reducing the ambient temperature. In addition, limiting the overall projection intensity may extend the LEDs' lifespan.

2. Introduction

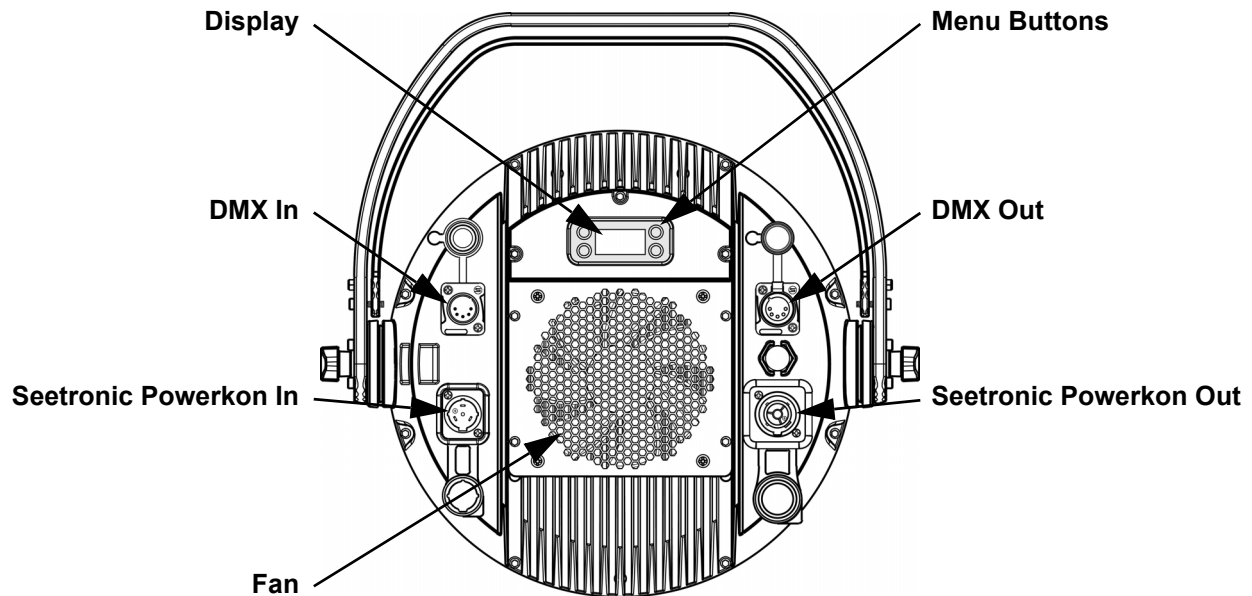
Description

The STRIKE 1 is a blinder powered by a 230 W warm white LED source. It can be used as a blinder, a strobe, or even a wide area flood light. The STRIKE 1 is IP65 rated and features an IP rated fan and IP rated power and DMX connections. An emulated “red shift” warms the color temperature of the light as it dims to mimic incandescent lights.

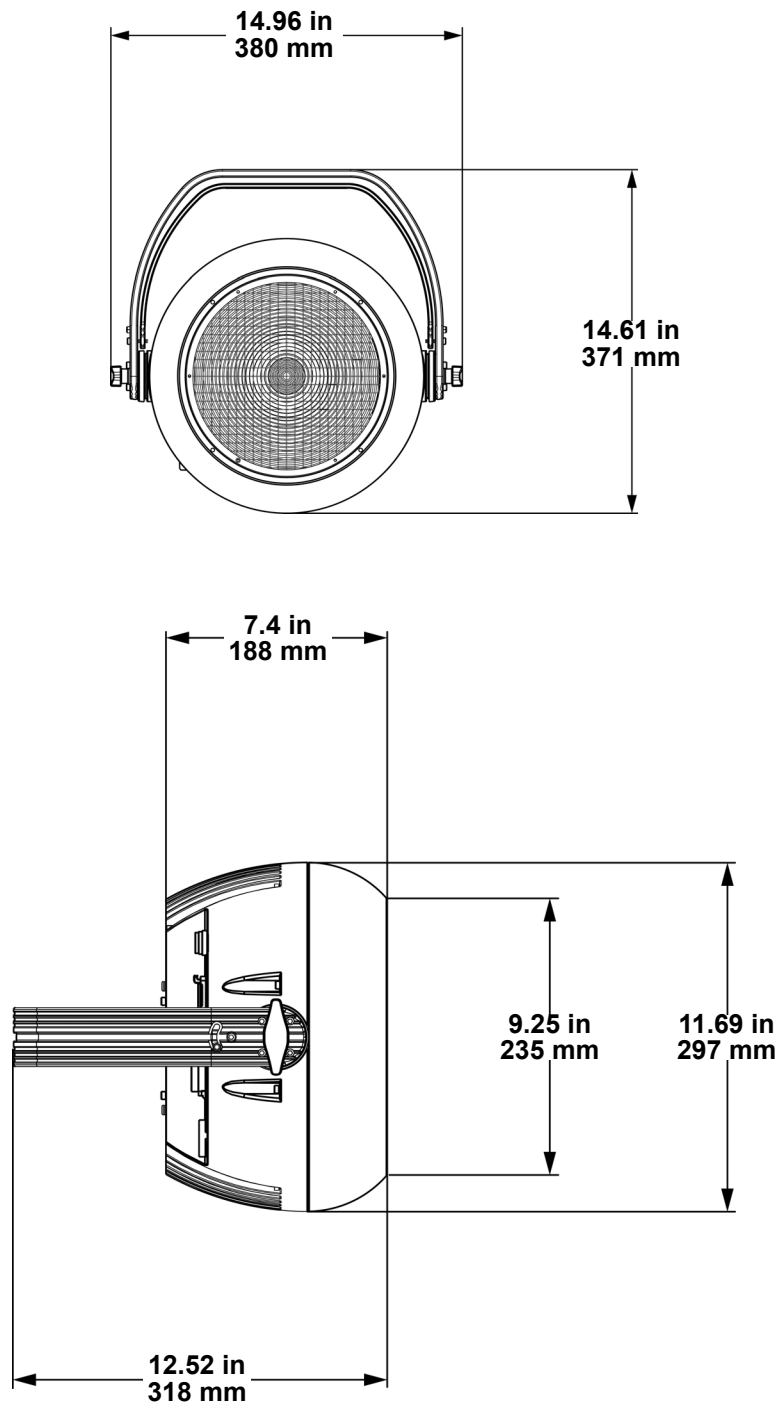
Features

- Intense single pod blinder/strobe rated IP65 for all-weather use.
- 16-bit dimming control for smooth, perfect fades.
- Strobe functionality for high-impact effects on-the-fly.
- Beautiful warm glow made possible with emulated “red shift” to mimic incandescent fixtures.
- Multi-bracket allows you to create multi-fixture banks with ease.
- Easy to use OLED display.
- Adjustable Pulse Width Modulation (PWM) control to eliminate flicker on camera.
- RDM (Remote Device Management) for added flexibility.

Product Overview



Product Dimensions



3. Setup

AC Power

Each STRIKE 1 has an auto-ranging power supply that works with an input voltage range of 100 to 240 VAC, 50/60 Hz. To determine the power requirements for each STRIKE 1, refer to the label affixed to the product. You can also refer to the Technical Specifications chart in this manual.

The listed current rating indicates the maximum current draw during normal operation. For more information, download Sizing Circuit Breakers from the Chauvet website: www.chauvetprofessional.com.



- **Always connect the product to a protected circuit (circuit breaker or fuse). Make sure the product has an appropriate electrical ground to avoid the risk of electrocution or fire.**
- **To eliminate unnecessary wear and improve its lifespan, during periods of non-use completely disconnect the product from power via breaker or by unplugging it.**



- **Never connect the product to a rheostat (variable resistor) or dimmer circuit, even if the rheostat or dimmer channel serves only as a 0 to 100% switch.**

AC Plug

The STRIKE 1 comes with a power input cord terminated with a Seetronic Powerkon A connector on one end and an Edison plug on the other end (U.S. market). If the power input cord that came with your product has no plug, or if you need to change the plug, use the table below to wire the new plug.

Connection	Wire (U.S.)	Wire (Europe)	Screw Color
AC Live	Black	Brown	Yellow or Brass
AC Neutral	White	Blue	Silver
AC Ground	Green/Yellow	Green/Yellow	Green

Power Linking

The product supports power linking. You can power link up to 6 products at 120 V; up to 10 at 208 V; or up to 11 at 230 V.

This product comes with a power input cord. Power linking cables are available from Chauvet for purchase.



- **To preserve the IP65 rating and the warranty of this product Seetronic Powerkon cables must be used.**
- **Insert the attached IP65 rated plugs into the corresponding power/data connections when not in use.**

DMX Linking

You can link the STRIKE 1 to a DMX controller using a 5-pin DMX connection. If using other DMX-compatible products with this product, you can control each individually with a single DMX controller.

DMX Personalities

The STRIKE 1 uses a 5-pin DMX data connection for the 1-, 3-, 4-, 5-, and 6-channel DMX personalities.

- Refer to the Operation chapter to learn how to configure the STRIKE 1 to work in these personalities.
- The DMX Values section provides detailed information regarding the DMX personalities.



If you are not familiar with or need more information about DMX standards, Master/Slave connectivity, or the DMX cables needed to link this product to a DMX controller, download the DMX Primer from the Chauvet website: www.chauvetprofessional.com.

Remote Device Management (RDM)

Remote Device Management, or RDM, is a standard for allowing DMX-enabled devices to communicate bi-directionally along existing DMX cabling. Check the DMX controller's User Manual or with the manufacturer as not all DMX controllers have this capability. The STRIKE 1 supports RDM protocol that allows feedback to make changes to menu map options.

Master/Slave Connectivity

The Master/Slave mode allows a STRIKE 1 (the master) to control one or more STRIKE 1 products (the slaves) without a DMX controller. One STRIKE 1 becomes the master when running an auto program, or by being in Static mode.

You must configure each slave's control panel to operate in Slave mode. During Master/Slave operation, the slaves will operate in unison with the master.



DO NOT connect a DMX controller to products operating in Master/Slave mode. The DMX controller signals may interfere with the signals from the master.



- The [Operation](#) section of this manual provides detailed instructions on how to configure the master and slaves.
- If you are not familiar with or need more information about DMX standards, or the DMX cables needed to link this product to a DMX controller, download the DMX Primer from the Chauvet website: www.chauvetprofessional.com.



- To preserve the IP65 rating and the warranty of this product, IP65 data cables must be used.
- Insert the attached IP65 rated plugs into the corresponding power/data connections when not in use.

Mounting

Before mounting the product, read and follow the safety recommendations indicated in the [Safety Notes](#). For our CHAUVET Professional line of mounting clamps, go to <http://trusst.com/products/>.

Orientation

Always mount this product in a safe position, making sure there is adequate room for ventilation, configuration, and maintenance.

Rigging

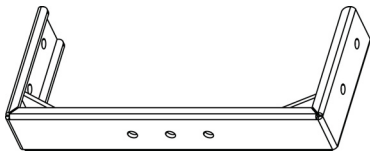
Chauvet recommends using the following general guidelines when mounting this product.

- Before deciding on a location for the product, make sure there is easy access to the product for maintenance and programming purposes.
- Make sure that the structure onto which you are mounting the product can support the product's weight. See the [Technical Specifications](#) for weight information.
- When mounting the product overhead, always use a safety cable. Mount the product securely to a rigging point, whether an elevated platform or a truss.
- When rigging the product onto a truss, use a mounting clamp of appropriate weight capacity.
- When power linking multiple products, mount the products close enough for power linking cables to reach.
- The bracket adjustment knobs allow for directional adjustment when aiming the product to the desired angle. Only loosen or tighten the bracket knobs manually. Using tools could damage the knobs.

STRIKE 1 Multi-Bracket

Each STRIKE 1 comes with a Multi-Bracket that allows an array of STRIKE 1 products to be assembled together with ease. Each Multi-Bracket comes with a spacer bar that maintains the horizontal pixel pitch between each STRIKE 1 product, and a spacer that stabilizes the brackets.

Multi-Bracket Overview



Multi-Bracket

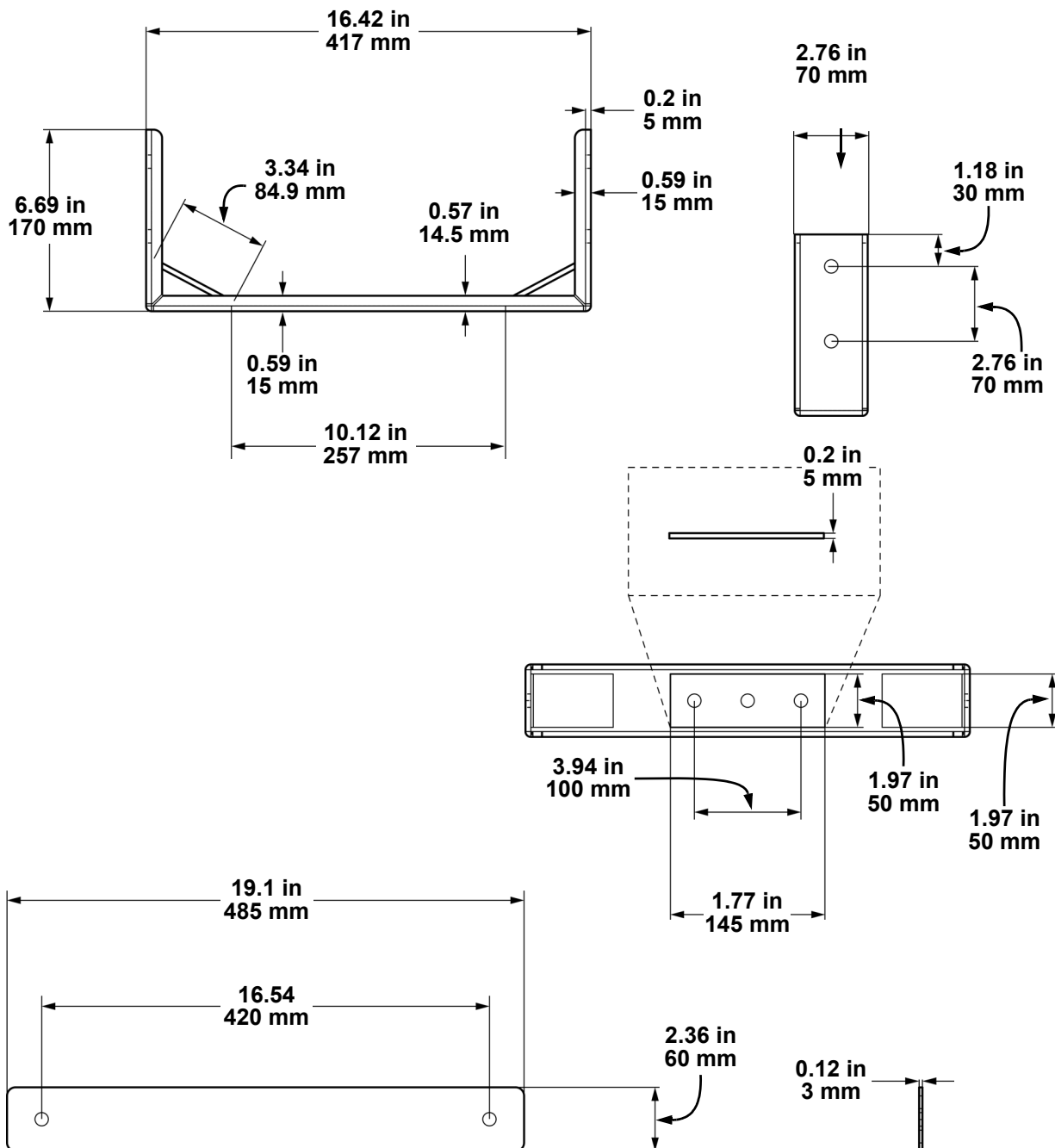


Spacer Bar
(maintains horizontal pixel pitch)



Spacer
(stabilizes brackets)

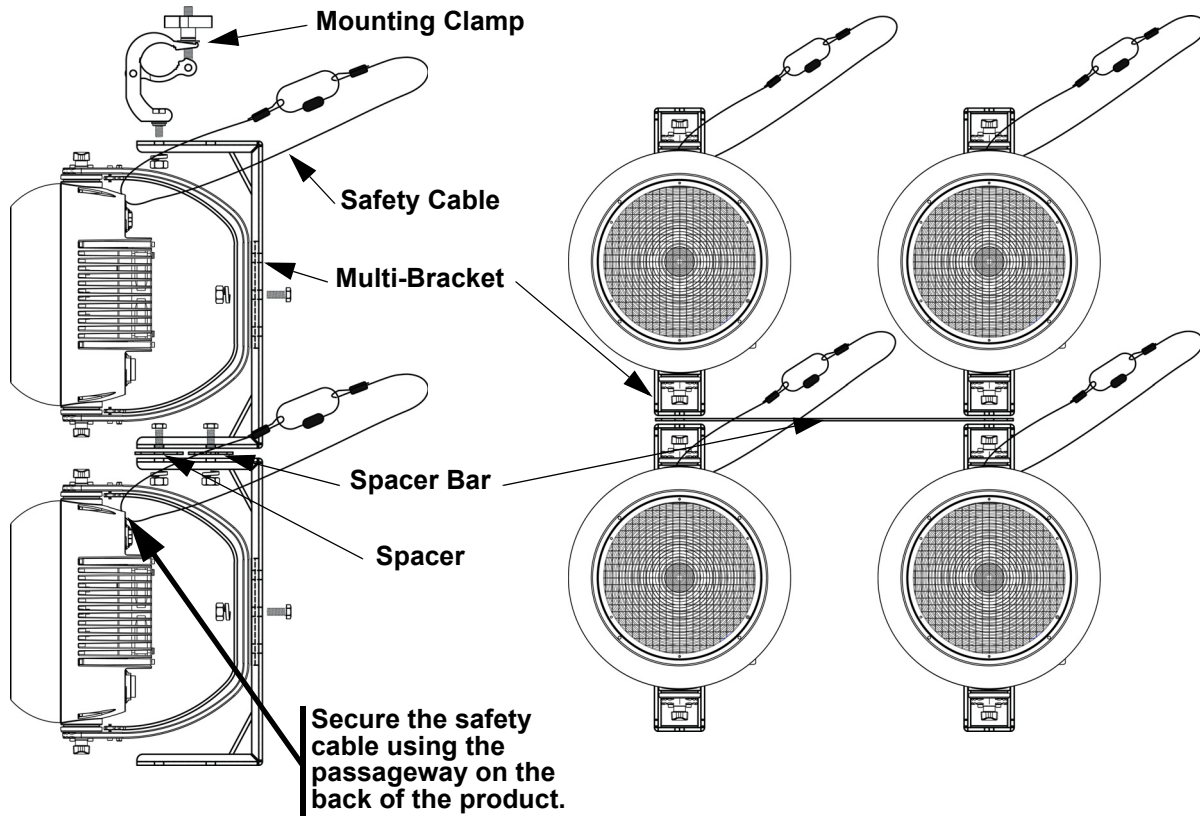
Multi-Bracket Dimensions



Procedure

The STRIKE 1 comes with a double-bracketed yoke to which you can either attach the included Multi-Bracket or simply attach mounting clamps directly. You must supply the mounting clamps. Make sure the clamps are capable of supporting the weight of this product. Use at least one mounting point per product. For the CHAUVET Professional line of mounting clamps, go to <http://www.trusst.com/products>.

Mounting Diagram



- Secure all safety cables to the mounting surface, NOT the Multi-Bracket.
- Do not mount more than 4 products vertically from one mounting point.
- Ensure any mounting surface used is capable of supporting the weight of all products being mounted.

4. Operation

Control Panel Operation

Button	Function
<MENU>	Exits from the current menu or function
<ENTER>	Enables the currently displayed menu or sets the currently selected value in to the current function
<UP>	Navigates upward through the menu list or increases the numeric value when in a function
<DOWN>	Navigates downward through the menu list or decreases the numeric value when in a function

Control Options

Set the STRIKE 1 starting address in the **001-512** DMX range. This enables control of up to 102 products in the 5-channel **5 Ch** personality.

Programming

Refer to the Menu Map to understand the menu options. The menu map shows the main level and a variable number of programming levels for each option.

- To go to the desired main level, press **<MENU>** repeatedly until the option shows on the display. Press **<ENTER>** to select. This will take you to the first programming level for that option.
- To select an option or value within the current programming level, press **<UP>** or **<DOWN>** until the option shows on the display. Press **<ENTER>** to select. In this case, if there is another programming level, you will see that first option, or you will see the selected value.
- Press **<MENU>** repeatedly to exit to the previous main level.

Control Panel Lock

This setting enables you to activate or disable the control panel lock, which keeps unauthorized users from changing the product's settings.

1. Go to the **Key Lock** main level.
2. Select **On** or **Off**.



When the control panel lock is activated, in order to access the products main programming level, the product will prompt for the passcode. Enter the passcode as described below.

Passcode

After being prompted to enter the passcode:

Press **<UP>**, **<DOWN>**, **<UP>**, **<DOWN>**, **<ENTER>**

Menu Map

Main Level	Programming Levels		Description
DMX Address	Address	<000-512>	Selects DMX address (highest channel restricted to personality chosen).
DMX Channel	1 Ch		1-channel: dimmer
	3 Ch		3-channel: dimmer, red shift, dimmer speed
	4 Ch		4-channel: 16-bit dimmer, red shift, dimmer speed
	5 Ch		5-channel: dimmer, red shift, strobe, auto, dimmer speed
	6 Ch		6-channel: 16-bit dimmer, red shift, strobe, auto, dimmer speed
Static	Dimmer	<0-255>	Sets the intensity of the light output
	Strobe		Selects the strobe frequency
Auto Show	Auto 1-3	<001-100>	Automatic programs and speed
Red Shift	On		Turns Red Shift (amber LEDs imitate lamp when dimming) on or off
	Off		

Main Level	Programming Levels	Description
Master/Slave Mode	Master	Master mode
	Slave	DMX slave mode
	Off	Linear dimming
Dimmer Mode	Dimmer 1–3	Dimming curves: Dimmer 1 (fast) to Dimmer 3 (slow)
	600 Hz	PWM frequency
1200 Hz		
2000 Hz		
4000 Hz		
25 KHz		
Fan Mode	Auto	Fan speed based on product temperature
	On	Fan always at maximum
	On	Display backlight always on
Back Light	10S	Turns off display backlight after 10 sec of inactivity
	20S	Turns off display backlight after 20 sec of inactivity
	30S	Turns off display backlight after 30 sec of inactivity
Key Lock	On	Locks display (password is <UP>, <DOWN>, <UP>, <DOWN>, <ENTER>)
	Off	
Information	Fixture Hours	Shows total product hours
	Version	Shows installed software version
	UID	Shows product ID
Reset Factory	No	Reset to factory defaults
	Yes	

Configuration (DMX)

Use DMX configurations to operate the product with a DMX controller.

DMX Personalities

This setting allows you to choose a particular DMX personality.

1. Go to the **DMX Channel** main level.
2. Select the desired personality (**1 Ch**, **3 Ch**, **4 Ch**, **5 Ch**, or **6 Ch**).



- See the [DMX Values](#) section for the highest starting address you can select for each personality.
- Make sure that the starting addresses on the various products do not overlap due to the new personality setting.

DMX Control

In this mode, each product will respond to a unique starting address from the DMX controller. All products with the same starting address will respond in unison.

1. Select a DMX personality as shown in [DMX Personalities](#).
2. Set the starting address:
 - a. Go to **DMX Address** main level.
 - b. Select the starting address (**001–512**).

Operation

The highest recommended starting address for each DMX mode is as follows:

DMX Personality	DMX Address
1	512
3	510
4	509
5	508
6	507

DMX Values

6 Ch

Channel	Function	Value	Percent/Setting
1	Dimmer	000 ⇔ 255	0–100%
2	Fine Dimmer	000 ⇔ 255	0–100%
3	Red Shift	000	On
		001 ⇔ 255	Off
4	Strobe	000 ⇔ 010	No function
		011 ⇔ 255	Strobe, slow to fast
5	Auto Program	000 ⇔ 010	No function
		011 ⇔ 080	Auto 1, slow to fast
		081 ⇔ 160	Auto 2, slow to fast
		161 ⇔ 240	Auto 3, slow to fast
		241 ⇔ 255	No function
6	Dimmer Speed*	000 ⇔ 051	Current dimmer speed mode
		052 ⇔ 101	Dimmer speed mode off (linear dimmer)
		102 ⇔ 152	Dimmer speed mode 1 (fastest)
		153 ⇔ 203	Dimmer speed mode 2
		202 ⇔ 255	Dimmer speed mode 3 (slowest)

5 Ch

Channel	Function	Value	Percent/Setting
1	Dimmer	000 ⇔ 255	0–100%
2	Red Shift	000	On
		001 ⇔ 255	Off
3	Strobe	000 ⇔ 010	No function
		011 ⇔ 255	Strobe, slow to fast
4	Auto Program	000 ⇔ 010	No function
		011 ⇔ 080	Auto 1, slow to fast
		081 ⇔ 160	Auto 2, slow to fast
		161 ⇔ 240	Auto 3, slow to fast
		241 ⇔ 255	No function
5	Dimmer Speed*	000 ⇔ 051	Current dimmer speed mode
		052 ⇔ 101	Dimmer speed mode off (linear dimmer)
		102 ⇔ 152	Dimmer speed mode 1 (fastest)
		153 ⇔ 203	Dimmer speed mode 2
		202 ⇔ 255	Dimmer speed mode 3 (slowest)



*Hold the desired Dimmer Speed value for 3 seconds, then release. This changes the Dimmer Mode setting in the menu.

4 Ch

Channel	Function	Value	Percent/Setting
1	Dimmer	000 ⇔ 255	0–100%
2	Fine Dimmer	000 ⇔ 255	0–100%
3	Red Shift	000 001 ⇔ 255	On Off
4	Dimmer Speed*	000 ⇔ 051 052 ⇔ 101 102 ⇔ 152 153 ⇔ 203 202 ⇔ 255	Current dimmer speed mode Dimmer speed mode off (linear dimmer) Dimmer speed mode 1 (fastest) Dimmer speed mode 2 Dimmer speed mode 3 (slowest)

3 Ch

Channel	Function	Value	Percent/Setting
1	Dimmer	000 ⇔ 255	0–100%
2	Red Shift	000 001 ⇔ 255	On Off
3	Dimmer Speed*	000 ⇔ 051 052 ⇔ 101 102 ⇔ 152 153 ⇔ 203 202 ⇔ 255	Current dimmer speed mode Dimmer speed mode off (linear dimmer) Dimmer speed mode 1 (fastest) Dimmer speed mode 2 Dimmer speed mode 3 (slowest)



*Hold the desired Dimmer Speed value for 3 seconds, then release. This changes the Dimmer Mode setting in the menu.

1 Ch

Channel	Function	Value	Percent/Setting
1	Dimmer	000 ⇔ 255	0–100%

Operation

Configuration (Standalone)

Use standalone configuration to operate the product without a DMX controller.

Static Mode

The Static mode allows for permanent dimmer and strobe presets without a DMX controller.

1. Go to the **Static** main level.
2. Select **Dimmer** or **Strobe**.
3. Select the desired value (**0–255**).

Auto Programs

Auto programs allow for dynamic blinder effects without a DMX controller.

1. Go to the **Auto Show** main level
2. Select the desired auto (**Auto 1–3**).
3. Select the desired speed (**001–100**).



The auto programs cannot be edited.

Red Shift

The Red Shift function causes the amber LEDs to imitate the appearance of a lamp when dimming.

1. Go to the **Red Shift** main level
2. Select **On** or **Off**.

Master/Slave

The Master/Slave mode allows a group of STRIKE 1 products (the slaves) to simultaneously duplicate the output of another STRIKE 1 (the master) without a DMX controller.

To set each of the slaves:

1. Go to the **Master/Slave** main level
2. Select **Slave**.

To set the master:

1. Go to the **Master/Slave** main level
2. Select **Master**.
3. Select an auto program as explained in Auto Programs, or a static setting.



- The master is the one that runs a program whether in Auto or Static mode.
- Do not connect a DMX controller to the products configured for Master/Slave operation. The DMX controller may interfere with signals from the master.
- The master should be the first product in the daisy chain.

Dimmer Profiles

This setting determines how fast the output of the STRIKE 1 changes when you modify the output value. This setting provides four different options to simulate the dimming curve of an incandescent lighting product.

- Go to the **Dimmer Mode** main level.
- Select a dimmer curve (**OFF**, **Dimmer 1**, **Dimmer 2**, or **Dimmer 3**).



OFF: The output is proportional (linear) to the dimmer channel value.
Dimmer 1-3: The output follows the dimmer value based on the corresponding dimmer curve, DIM1 being the fastest.

LED Frequency

This option changes the Pulse Width Modulation (PWM) frequency of the LEDs on the STRIKE 1.

1. Go to the **LED Frequency** main level.
2. Select PWM Frequency (**600Hz**, **1200Hz**, **2000Hz**, **4000Hz**, or **25Khz**).

Fan Mode

This setting determines how the fan speed on the STRIKE 1 is set.

1. Go to the **Fan Mode** main level
2. Select **Auto** (fan speed will increase or decrease based on product temperature) or **On** (fan speed will always be at maximum).

Back Light

This setting allows for selection of the amount of time the backlight on the STRIKE 1's display stays on after the last button is pressed on the control panel.

1. Go to the **Back Light** main level.
2. Select **On** (remains on), **10S** (10 seconds), **20S** (20 seconds), or **30S** (seconds).

System Information

This option displays the total number of hours the product has run, the installed software version, and the product's UID.

1. Go to the **Information** main level.
2. Select **Fixture Hours**, **Version**, or **UID**.

Factory Reset

This option restores the STRIKE 1 to factory default settings.

1. Go to the **Reset Factory** main level.
2. Select **No** or **Yes**.

5. Technical Information

Product Maintenance

To maintain optimum performance and minimize wear, clean this product frequently. Usage and environment are contributing factors in determining the cleaning frequency.

Clean this product at least twice a month. Dust build-up reduces light output performance and can cause overheating. This can lead to reduced light source life and increased mechanical wear.

To clean the product:

1. Unplug the product from power.
2. Wait until the product is at room temperature.
3. Use a vacuum (or dry compressed air) and a soft brush to remove dust collected on the external vents.
4. Clean all transparent surfaces with a mild soap solution, ammonia-free glass cleaner, or isopropyl alcohol.
5. Apply the solution directly to a soft, lint free cotton cloth or a lens cleaning tissue.
6. Softly drag any dirt or grime to the outside of the transparent surface.
7. Gently polish the transparent surfaces until they are free of haze and lint.



Always dry the transparent surfaces carefully after cleaning them.



Do not spin the cooling fan using compressed air because you could damage it.

6. Technical Specifications

Dimensions and Weight

Length	Width	Height	Weight
14.96 in (380 mm)	7.40 in (188 mm)	14.61 in (371 mm)	18.8 lb (8.6 kg)

Note: Dimensions in inches rounded to the nearest decimal digit.

Power

Power Supply Type	Range	Voltage Selection
Switching (internal)	100 to 240 VAC, 50/60 Hz	Auto-ranging

Parameter	120 V, 60 Hz	208 V, 60 Hz	230 V, 50 Hz
Consumption	266 W	255 W	258 W
Operating Current	2.209 A	1.306 A	1.201 A
Power linking current (products)	13.6 A (6 products)	13.6 A (10 products)	13.6 A (11 products)

Power I/O	U.S./Worldwide	UK/Europe
Power input connector	Seetronic Powerkon IP65	Seetronic Powerkon IP65
Power output connector	Seetronic Powerkon IP65	Seetronic Powerkon IP65
Power Cord plug	Edison (U.S.)	Local Plug

Light Source

Type	Power	Lifespan
LED (WW)	230 W	50,000 hours
LED (A)	2 W	50,000 hours

Color	Quantity	Current
Warm White	1	4.1 A
Amber	8	0.7 A

Photometrics

Parameter	Value
Strobe Rate	0 to 25 Hz
Beam Angle	30°
Field Angle	51°
Illuminance @ 5 m	1,119 lux

Thermal

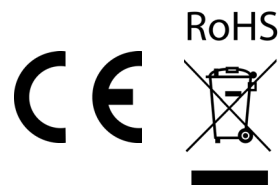
Maximum External Temperature	Cooling System
104 °F (40 °C)	Fan-assisted convection

DMX

I/O Connector	Channel Range
5-pin XLR	1, 2, 3, 4 or 5

Ordering

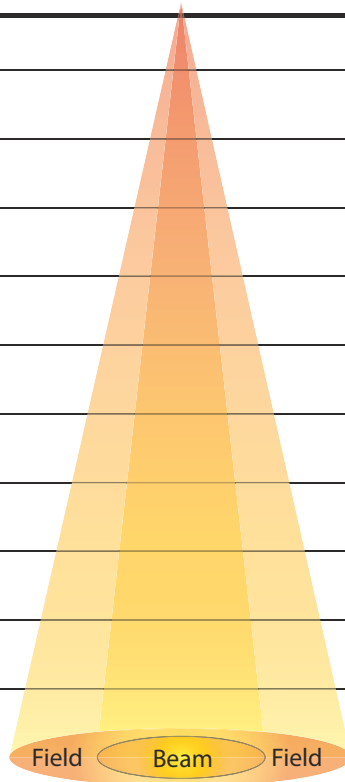
Product Name	Item Code	UPC Number
STRIKE 1	03051214	781462215620



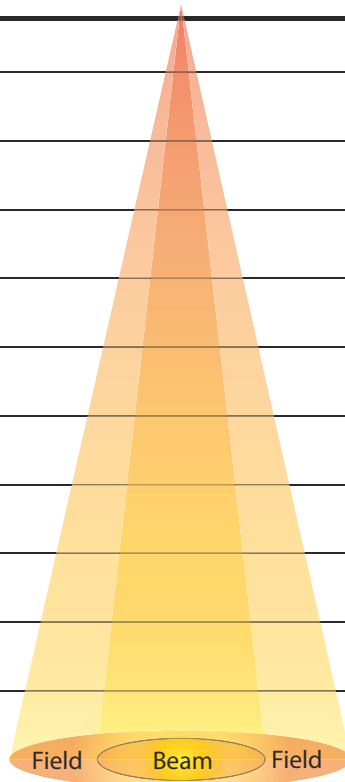
Technical Specifications

Photometrics Chart

Distance	Light Source		Footcandle
	Beam Diameter	Field Diameter	
15 ft	8.04 ft	14.31 ft	124
20 ft	10.72 ft	19.08 ft	70
30 ft	16.08 ft	28.62 ft	31
40 ft	21.44 ft	38.16 ft	17
50 ft	26.79 ft	47.70 ft	11
75 ft	40.19 ft	71.55 ft	5
100 ft	53.59 ft	95.40 ft	3
125 ft	66.99 ft	119.24 ft	2
150 ft	80.38 ft	143.09 ft	1



Distance	Light Source		Lux
	Beam Diameter	Field Diameter	
1 m	0.54 m	0.95 m	27,975
2 m	1.07 m	1.91 m	6,994
5 m	2.68 m	4.77 m	1,119
8 m	4.29 m	7.63 m	437
10 m	5.36 m	9.54 m	280
15 m	8.04 m	14.31 m	124
20 m	10.72 m	19.08 m	70
25 m	13.40 m	23.85 m	45
30 m	16.08 m	28.62 m	31



Returns

Send the product prepaid, in the original box, and with the original packing and accessories. Chauvet will not issue call tags.

Call Chauvet and request a Return Merchandise Authorization (RMA) number before shipping the product. Be prepared to provide the model number, serial number, and a brief description of the cause(s) for the return.

To submit a service request online, go to www.chauvetprofessional.com/service-request.

Clearly label the package with an RMA number. Chauvet will refuse any product returned without an RMA number.



Write the RMA number on a properly affixed label. DO NOT write the RMA number directly on the box.

Once you have the RMA number, provide the following information on a piece of paper and place it inside the box:

- Your name
- Your address
- Your phone number
- RMA number
- A brief description of the problem

Be sure to pack the product properly. Any shipping damage resulting from inadequate packaging will be your responsibility. FedEx packing or double-boxing are recommended.



Chauvet reserves the right to use its own discretion to repair or replace returned product(s).

Contact Us

World Headquarters	
General Information	Technical Support
Address: 5200 NW 108th Ave. Sunrise, FL 33351 Voice: (954) 577-4455 Fax: (954) 929-5560 Toll Free: (800) 762-1084	Voice: (844) 393-7575 Fax: (954) 756-8015 Email: chauvetcs@chauvetlighting.com
	Website www.chauvetlighting.com
EUROPE	
General Information	Technical Support
Address: Stokstraat 18 9770 Kruishoutem Belgium Voice: +32 9 388 93 97	Email: eutech@chauvetlighting.eu
	Website www.chauvetlighting.eu
General Information	Technical Support
Address: Unit 1C Brookhill Road Industrial Estate Pinxton, Nottingham, UK NG16 6NT Voice: +44 (0) 1773 511115 Fax: +44 (0) 1773 511110	Email: uktech@chauvetlighting.com
	Website www.chauvetlighting.co.uk
MEXICO	
General Information	Technical Support
Address: Av. de las Partidas 34 - 3B (Entrance by Calle 2) Zona Industrial Lerma Lerma, Edo. de México, CP 52000 Voice: +52 (728) 690-2010	Email: servicio@chauvet.com.mx
	Website www.chauvet.com.mx

Visit the applicable website above to verify our contact information and instructions to request support. Outside the U.S., United Kingdom, Ireland, Mexico or Benelux, contact the dealer of record.