



# PROTRON 3K™

SKU# PRO890

The Protron 3K™ is a new high powered LED strobe featuring (202) CREE™ 3W Cool White LEDs, 80,000 lumens, 120° beam angle, (2) power modes (HIGH or LOW), strobe effect macros including burst, pulse, lighting, and full ON\*, (2) silent cooling fans, electronic dimming, 3/5pin DMX and powerCON in/out connections, (4) button LCD control panel, an integrated rigging yoke, 900W max power consumption, and a multi-voltage universal auto switching power supply (100-240v). \*Thermally regulated output at full max 10 seconds.



## FEATURES

**(202) CREE™ 3W Cool White LEDs**

**80,000 Total Lumens**

**120° Beam Angle**

**(2) Power Modes (HIGH or LOW)**

**Electronic Dimming**

**Burst, Pulse, Lighting, and Full ON\* Effects**

**(2) Silent Cooling Fans**

**\*Thermally regulated output at full max 10 seconds.**



ELATION | PROTRON 3K™ | Product Specification Sheet

**PRODUCT SPECIFICATIONS**

**SOURCE**

(202) CREE™ 3W Cool White LEDs  
50,000 Hour Average LED Life\*

\*LED Life may vary depending on several factors including but not limited to: Environmental Conditions, Power/Voltage, Usage Patterns (On-Off Cycling), Control and Dimming.

**PHOTOMETRIC DATA**

80,000 Total Lumens  
16,450 LUX 1,528 FC @3.3' (1m) (120° Full ON)

**EFFECTS**

Electronic Dimming  
Burst, Pulse, Lighting, Full ON\*\*

\*\*Thermally regulated output at full max 10 seconds.

**CONTROL / CONNECTIONS**

4 DMX Channel Modes (1 / 2 / 3 / 4)  
4 Button Control Panel  
LCD Menu Display  
3/5pin DMX In/Out  
powerCON In/Out  
Power Link Up To (2) Units at 120V

**SIZE / WEIGHT**

Length: 21.5" (546mm)  
Width: 6.9" (175mm)  
Vertical Height: 11.7" (296mm)  
Weight: 17.2 lbs. (7.8kg)

**ELECTRICAL / THERMAL**

AC 100-240V - 50/60Hz  
900W Max Power Consumption  
Max Ambient Temperature 113°F (40°C)

**INSTALLATION**

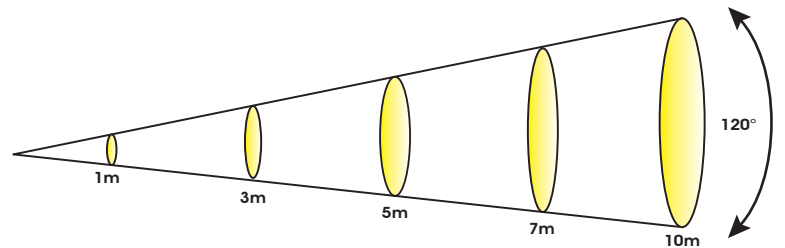
Rigging: Intergrated Yoke  
Working Position: Any (360°)

**INCLUDED ITEMS**

(1) powerCON Cable

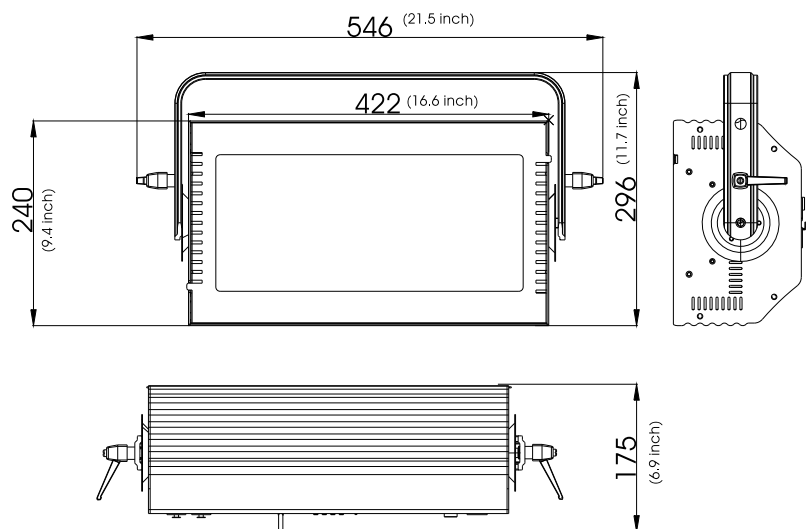


**PHOTOMETRIC DATA**



Distance	1m		3m		5m		7m		10m	
	m	ft	m	ft	m	ft	m	ft	m	ft
Photometrics	lux	fc	lux	fc	lux	fc	lux	fc	lux	fc
FULL ON	16,450	1,528	2,200	204	900	84	565	52	274	25

**DIMENSIONAL DIAGRAM**



**OPTIONAL ACCESSORIES**

ORDER CODE	ITEM
TRIGGER CLAMP	Heavy Duty Wrap Around Hook Style Clamp
AC3PDMX5PRO	5 ft. (1.5m) 3pin PRO DMX Cable
AC5PDMX5PRO	5 ft. (3m) 5pin PRO DMX Cable
PLC3	3' (1m) PowerCON PRO Link Cable
PLC6	6' (1.8m) PowerCON PRO Link Cable
	Additional Cable Lengths Available