

PLATINUM BEAM 5R EXTREME™

user manual

©2018 **ELATION PROFESSIONAL** all rights reserved. Information, specifications, diagrams, images, and instructions herein are subject to change without notice. ELATION PROFESSIONAL logo and identifying product names and numbers herein are trademarks of ELATION PROFESSIONAL. Copyright protection claimed includes all forms and matters of copyrightable materials and information now allowed by statutory or judicial law or hereinafter granted. Product names used in this document may be trademarks or registered trademarks of their respective companies and are hereby acknowledged. All non-ELATION brands and product names are trademarks or registered trademarks of their respective companies.

ELATION PROFESSIONAL and all affiliated companies hereby disclaim any and all liabilities for property, equipment, building, and electrical damages, injuries to any persons, and direct or indirect economic loss associated with the use or reliance of any information contained within this document, and/or as a result of the improper, unsafe, insufficient and negligent assembly, installation, rigging, and operation of this product.

Elation Professional USA | 6122 S. Eastern Ave. | Los Angeles, CA. 90040

323-582-3322 | 323-832-9142 fax | www.elationlighting.com | info@elationlighting.com

Elation Professional B.V. | Junostraat 2 | 6468 EW Kerkrade, The Netherlands

+31 45 546 85 66 | +31 45 546 85 96 fax | www.elationlighting.eu | info@elationlighting.eu

Elation Professional Mexico | AV Santa Ana 30 | Parque Industrial Lerma, Lerma, Mexico 52000

+52 (728) 282-7070

DOCUMENT VERSION

Due to additional product features and/or enhancements, an updated version of this document may be available online.

Please check www.elationlighting.com for the latest revision/update of this manual, before beginning installation and/or programming.

Date	Document Version	Software Version	DMX Channel Modes	Notes
02/23/15	1	≥1.0.0	12/14/18	Updated manual format.
12/06/18	1.2	≥1.3.2	NO CHANGE	Updated release.

CONTENTS

General Information	4
Limited Warranty (USA Only)	5
Safety Guidelines	6
Discharge Lamp Warning	8
Maintenance Guidelines	9
Fixture Overview	10
Lamp Installation	11
Installation Guidelines	19
System Menu	23
WDMX Internal Wireless DMX Receiver Set Up	31
DMX Channel Functions And Values	33
Error Codes	36
Specifications	37
Optional Accessories	39

GENERAL INFORMATION

INTRODUCTION

Please read and understand the instructions in this manual carefully and thoroughly before attempting to operate this device. These instructions contain important safety and use information.

UNPACKING

Every device has been thoroughly tested and has been shipped in perfect operating condition. Carefully check the shipping carton for damage that may have occurred during shipping. If the carton is damaged, carefully inspect the device for damage, and be sure all accessories necessary to install and operate the device have arrived intact. In the event damage has been found or parts are missing, please contact our customer support team for further instructions. Please do not return this device to your dealer without first contacting customer support. Please do not discard the shipping carton in the trash. Please recycle whenever possible.

BOX CONTENTS

2 Omega Brackets
1 Power Cable
1 Safety Cable

CUSTOMER SUPPORT

Contact ELATION Service for any product related service and support needs. Also visit forums.elationlighting.com with questions, comments or suggestions.

ELATION SERVICE USA - Monday - Friday 8:00am to 4:30pm PST
323-582-3322 | Fax 323-832-9142 | support@elationlighting.com

ELATION SERVICE EUROPE - Monday - Friday 08:30 to 17:00 CET
+31 45 546 85 63 | Fax +31 45 546 85 96 | support@elationlighting.eu

REPLACEMENT PARTS please visit parts.elationlighting.com



IMPORTANT NOTICE!

THERE ARE NO USER SERVICEABLE PARTS INSIDE THIS UNIT. DO NOT ATTEMPT ANY REPAIRS YOURSELF; DOING SO WILL VOID YOUR MANUFACTURES WARRANTY. DAMAGES RESULTING FROM MODIFICATIONS TO THIS FIXTURE AND/OR THE DISREGARD OF SAFETY INSTRUCTIONS AND GUIDELINES IN THIS MANUAL VOID THE MANUFACTURES WARRANTY AND ARE NOT SUBJECT TO ANY WARRANTY CLAIMS AND/OR REPAIRS.

LIMITED WARRANTY (USA ONLY)

A. Elation Professional hereby warrants, to the original purchaser, Elation Professional products to be free of manufacturing defects in material and workmanship for a period of two years (730 days), and Elation Professional product rechargeable batteries to be free of manufacturing defects in material and workmanship for a period of six months (180 days), from the original date of purchase. This warranty excludes discharge lamps and all product accessories. This warranty shall be valid only if the product is purchased within the United States of America, including possessions and territories. It is the owner's responsibility to establish the date and place of purchase by acceptable evidence, at the time service is sought. B. For warranty service, send the product only to the Elation Professional factory. All shipping charges must be pre-paid. If the requested repairs or service (including parts replacement) are within the terms of this warranty, Elation Professional will pay return shipping charges only to a designated point within the United States. If any product is sent, it must be shipped in its original package and packaging material. No accessories should be shipped with the product. If any accessories are shipped with the product, Elation Professional shall have no liability what so ever for loss and/or or damage to any such accessories, nor for the safe return thereof. C. This warranty is void if the product serial number and/or labels are altered or removed; if the product is modified in any manner which Elation Professional concludes, after inspection, affects the reliability of the product; if the product has been repaired or serviced by anyone other than the Elation Professional factory unless prior written authorization was issued to purchaser by Elation Professional; if the product is damaged because not properly maintained as set forth in the product instructions, guidelines and/or user manual. D. This is not a service contract, and this warranty does not include any maintenance, cleaning or periodic check-up. During the periods as specified above, Elation Professional will replace defective parts at its expense, and will absorb all expenses for warranty service and repair labor by reason of defects in material or workmanship. The sole responsibility of Elation Professional under this warranty shall be limited to the repair of the product, or replacement thereof, including parts, at the sole discretion of Elation Professional. All products covered by this warranty were manufactured after January 1, 1990, and bare identifying marks to that effect. E. Elation Professional reserves the right to make changes in design and/or performance improvements upon its products without any obligation to include these changes in any products theretofore manufactured. F. No warranty, whether expressed or implied, is given or made with respect to any accessory supplied with the products described above. Except to the extent prohibited by applicable law, all implied warranties made by Elation Professional in connection with this product, including warranties of merchantability or fitness, are limited in duration to the warranty periods set forth above. And no warranties, whether expressed or implied, including warranties of merchantability or fitness, shall apply to this product after said periods have expired. The consumer's and/or dealer's sole remedy shall be such repair or replacement as is expressly provided above; and under no circumstances shall Elation Professional be liable for any loss and/or damage, direct and/or consequential, arising out of the use of, and/or the inability to use, this product. G. This warranty is the only written warranty applicable to Elation Professional products and supersedes all prior warranties and written descriptions of warranty terms and conditions heretofore published.

WARRANTY RETURNS

All returned service items whether under warranty or not, must be freight pre-paid and accompany a return authorization (R.A.) number. The R.A. number must be clearly written on the outside of the return package. A brief description of the problem as well as the R.A. number must also be written down on a piece of paper and included in the shipping container. If the unit is under warranty, you must provide a copy of your proof of purchase invoice. Items returned without a R.A. number clearly marked on the outside of the package will be refused and returned at customer's expense. You may obtain a R.A. number by contacting customer support. **ONLY** Use the original packaging and materials to transport the fixture in for service.

SAFETY GUIDELINES

This fixture is a sophisticated piece of electronic equipment. To guarantee a smooth operation, it is important to follow all instructions and guidelines in this manual. Elation Professional is not responsible for injury and/or damages resulting from the misuse of this fixture due to the disregard of the information printed in this manual. Only qualified and/or certified personnel should perform installation of this fixture and only the original rigging parts (omega brackets) included with this fixture should be used for installation. Any modifications to the fixture and/or the included mounting hardware will void the original manufactures warranty and increase the risk of damage and/or personal injury.



PROTECTION CLASS 1 - FIXTURE MUST BE PROPERLY GROUNDED



THERE ARE NO USER SERVICEABLE PARTS INSIDE THIS UNIT. DO NOT ATTEMPT ANY REPAIRS YOURSELF; DOING SO WILL VOID YOUR MANUFACTURES WARRANTY. DAMAGES RESULTING FROM MODIFICATIONS TO THIS FIXTURE AND/OR THE DISREGARD OF SAFETY INSTRUCTIONS AND GUIDELINES IN THIS MANUAL VOID THE MANUFACTURES WARRANTY AND ARE NOT SUBJECT TO ANY WARRANTY CLAIMS AND/OR REPAIRS.



**DO NOT PLUG FIXTURE INTO A DIMMER PACK!
NEVER OPEN THIS FIXTURE WHILE IN USE!
UNPLUG POWER BEFORE SERVICING FIXTURE!
NEVER TOUCH FIXTURE DURING OPERATION, AS IT MAY BE HOT!
KEEP FLAMMABLE MATERIALS AWAY FROM FIXTURE!**



**NEVER LOOK DIRECTLY INTO THE LIGHT SOURCE!
RETINA INJURY RISK - MAY INDUCE BLINDNESS!
SENSITIVE PERSONS MAY SUFFER AN EPILEPTIC SHOCK!**



**INDOOR / DRY LOCATIONS USE ONLY!
DO NOT EXPOSE FIXTURE TO RAIN AND MOISTURE!**



**MINIMUM DISTANCE TO OBJECTS/SURFACES
MUST BE 27 FEET (8 METERS)
MAXIMUM TEMPERATURE OF EXTERNAL
SURFACE 212° F (100°C)**

SAFETY GUIDELINES

CAUTION

**HIGH
INTENSITY
ULTRAVIOLET
LIGHT**



AVOID DIRECT EYE & SKIN EXPOSURE.
WEAR PROPER EYE & SKIN PROTECTION.
SEE MANUAL FOR SAFETY INSTRUCTIONS.

RISK GROUP 3 - RISK OF EXPOSURE TO ULTRAVIOLET UV RADIATION! FIXTURE EMITS HIGH INTENSITY WAVELENGTH OF ULTRAVIOLET UV LIGHT FROM THE UV COLOR FILTER. WEAR PROPER EYE AND SKIN PROTECTION. AVOID PROLONGED PERIODS OF EXPOSURE TO UV COLOR FILTER. AVOID WEARING WHITE COLOR CLOTHING AND/OR USING UV PAINTS ON SKIN. AVOID DIRECT EYE AND/OR SKIN EXPOSURE AT DISTANCES LESS THAN 11 feet (3.3m). DO NOT OPERATE FIXTURE WITH DAMAGED/MISSING EXTERNAL COVERS. DO NOT LOOK DIRECTLY INTO THE UV LIGHT AND/OR VIEW UV LIGHT DIRECTLY WITH OPTICAL INSTRUMENTS THAT MAY CONCENTRATE THE LIGHT/RADIATION OUTPUT. INDIVIDUALS SUFFERING FROM A RANGE OF EYE CONDITIONS, SUNLIGHT EXPOSURE DIS-ORDERS, OR INDIVIDUALS USING PHOTSENSITIVE MEDICATION, MAY RECEIVE DISCOMFORT IF EXPOSED TO THE ULTRAVIOLET UV LIGHT EMITTED FROM THE UV LED.

DO NOT TOUCH the fixture housing during operation. Turn OFF the power and allow approximately 15 minutes for the fixture to cool down before serving.

DO NOT shake fixture, avoid brute force when installing and/or operating fixture.

DO NOT operate fixture if the power cord is frayed, crimped, damaged and/or if any of the power cord connectors are damaged and do not insert into the fixture securely with ease. **NEVER** force a power cord connector into the fixture. If the power cord or any of its connectors are damaged, replace it immediately with a new one of similar power rating.

DO NOT block any air ventilation slots.

All fan and air inlets must remain clean and never blocked.

Allow approx. 6" (15cm) between fixture and other devices or a wall for proper cooling.

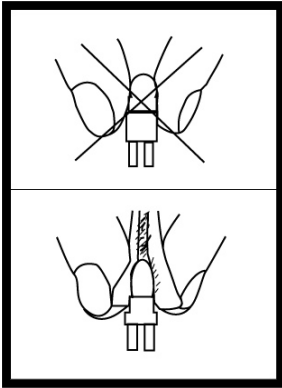
When installing fixture in a suspended environment, always use mounting hardware that is no less than M10 x 25 mm, and always install fixture with an appropriately rated safety cable.

Always disconnect fixture from main power source before performing any type of service and/or cleaning procedure. Only handle the power cord by the plug end, never pull out the plug by tugging the wire portion of the cord.

During the initial operation of this fixture, a light smoke or smell may emit from the interior of the fixture. This is a normal process and is caused by excess paint in the interior of the casing burning off from the heat associated with the lamp and will decrease gradually over time.

Consistent operational breaks will ensure fixture will function properly for many years.

DISCHARGE LAMP WARNING



This fixture is fitted with a DISCHARGE LAMP, which is highly susceptible to damage if improperly handled. **NEVER** touch the lamp with your bare hands, as the oil from your hands will shorten the life of the lamp. **NEVER** move the fixture until the lamp has had ample time to cool. DISCHARGE LAMPS are NOT covered under warranty conditions. Avoid switching the fixture ON and OFF repeatedly in short intervals, as this will reduce lamp life and intensity. To achieve the intensity associated with discharge lamps, these lamps use gas sealed in a high-pressure environment to emit a brilliant output.

Due to the high pressure involved with the construction of the lamp, it **MAY EXPLODE DURING PROLONGED EXTENSIVE USE**. This risk is increased with age; added care is encouraged when dealing with older lamps. Thus, the lamp must always be replaced at the end of their recommended duty cycle. Extreme caution should be used when operating this or any fixture fitted with a gas discharge lamp.

UV RADIATION NOTICE



THIS FIXTURE EMITS INTENSE UV RADIATION, WHICH IS HARMFUL TO THE EYES AND SKIN. THE INTENSE LUMINANCE OF THE LAMP CAN CAUSE SEVERE DAMAGE TO THE RETINA. NEVER OPERATE THIS FIXTURE WITH ANY OF THE PROTECTIVE COVERS REMOVED. THESE COVERS HAVE BEEN SPECIALLY DESIGNED TO SHIELD AGAINST UV RADIATION.

LAMP REPLACEMENT

THE PHILIPS™ PLATINUM 5R LAMP MUST BE REPLACED EVERY 2,000 HOURS OR WHEN DAMAGED AND/OR DEFORMED!

USE ONLY GENUINE ORIGINAL PHILIPS™ LAMPS. OTHER BRAND LAMPS WILL CAUSE DAMAGE AND WILL VOID FIXTURE WARRANTY!



**DISCONNECT THE MAIN POWER SUPPLY BEFORE REPLACING LAMP!
FIXTURE MUST COOL FOR 60 MINUTES BEFORE REPLACING LAMP!**

**NEVER TOUCH LAMP WITH BARE HANDS, ALWAYS WEAR GLOVES!
OIL FROM HANDS WILL SHORTEN LIFE OF LAMP!**

MAKE SURE ALL COVERS/PANELS ARE REPLACED/SECURED BEFORE OPERATING FIXTURE TO PREVENT ANY RISK AND/OR DAMAGE TO EYE RETINA FROM UV RADIATION EXPOSURE!

MAINTENANCE GUIDELINES



DISCONNECT POWER BEFORE PERFORMING ANY MAINTENANCE!

CLEANING

Frequent cleaning is recommended to insure proper function, optimized light output, and an extended life. The frequency of cleaning depends on the environment in which the fixture operates: damp, smoky or particularly dirty environments can cause greater accumulation of dirt on the fixture's optics. Clean the external lens surface at least every 20 days with a soft cloth to avoid dirt/debris accumulation.

NEVER use alcohol, solvents, or ammonia-based cleaners.

MAINTENANCE

Regular inspections are recommended to insure proper function and extended life.

There are no user serviceable parts inside this fixture, please refer all other service issues to an authorized Elation service technician. Should you need any spare parts, please order genuine parts from your local Elation dealer.

Please refer to the following points during routine inspections:

A detailed review by an approved electrical engineer every three months, to make sure the circuit contacts are in good condition and prevent overheating.

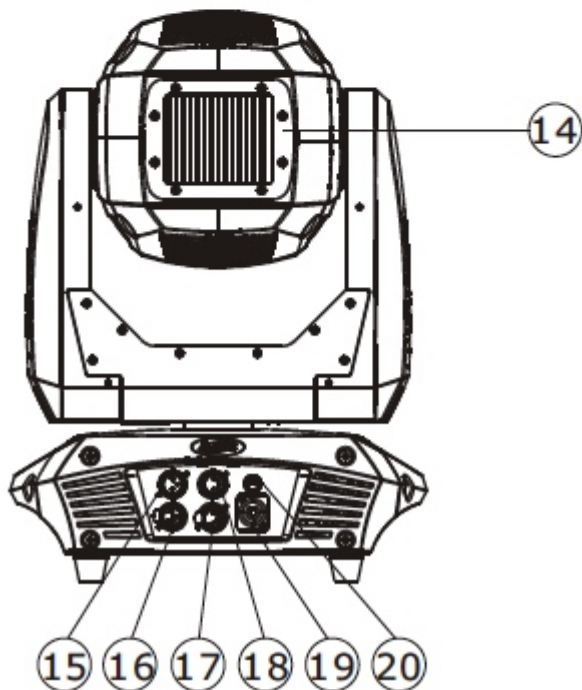
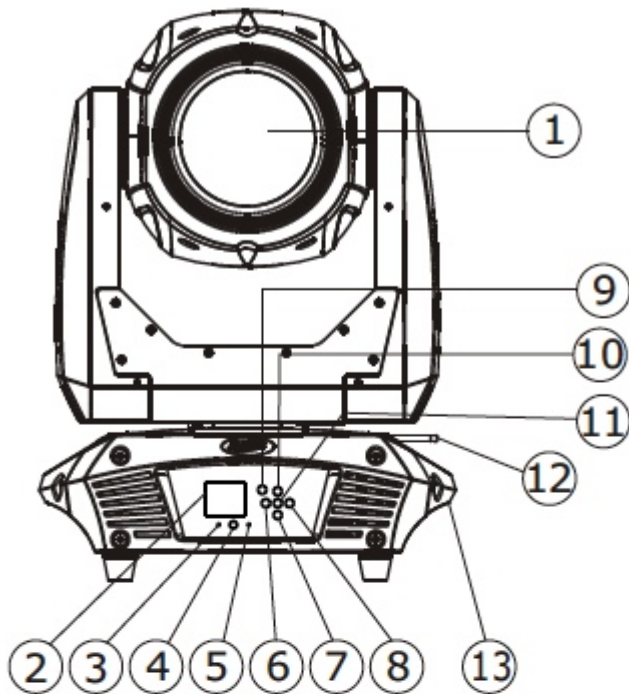
Be sure all screws and fasteners are securely tightened at all times. Loose screws may fall out during normal operation resulting in damage or injury as larger parts could fall.

Check for any deformations on the housing, color lenses, rigging hardware and rigging points (ceiling, suspension, trussing). Deformations in the housing could allow for dust to enter into the fixture. Damaged rigging points or unsecured rigging could cause the fixture to fall and seriously injure a person(s).

Electric power supply cables must not show any damage, material fatigue or sediments.

NEVER remove the ground prong from the power cable.

FIXTURE OVERVIEW



1. LED Assembly
2. LCD Menu Function Display
3. Wireless DMX Indicator
4. DC Switch
5. Microphone
6. LEFT Button
7. DOWN Button
8. RIGHT Button
9. MODE/ESC Button
10. UP Button
11. ENTER Button
12. Wireless DMX Antenna
13. Carrying Handle(s)
14. Lamp Access/Cover Panel
15. 3pin DMX Input
16. 3pin DMX Output
17. 5pin DMX Output
18. 5pin DMX Input
19. powerCON Input
20. Fuse

LAMP INSTALLATION



LAMP REPLACEMENT

Please note that due to the nature of the Philips™ Platinum 5R Lamp and the optical path of the Elation PLATINUM BEAM 5R EXTREME fixture, the lamp **MUST BE** replaced at 2,000 hours.

Use only Genuine Original Philips™ Platinum 5R Lamps. Other brand lamps may cause damage and void warranty!

INSTALLING OR REPLACING THE LAMP

To ensure a proper/safe lamp change, carefully read all the following instructions.

LAMP PROTECTION CIRCUITRY

Because of the nature of the extreme heat associated with the **Philips Platinum 5R** lamp and the tight nature of the internal optical system, it is **IMPERATIVE** that the lamp be replaced every **2,000 Hours**. This is done to protect the internal optical system as well as prevent accidental lamp explosion, which could lead to hot glass particles falling from the fixture.

FAILURE TO CHANGE THE LAMP WITHIN 300 HOUR of the 2,000 HOUR RATED LIFE, WILL CAUSE THE FIXTURE TO AUTOMATICALLY SHUT DOWN!

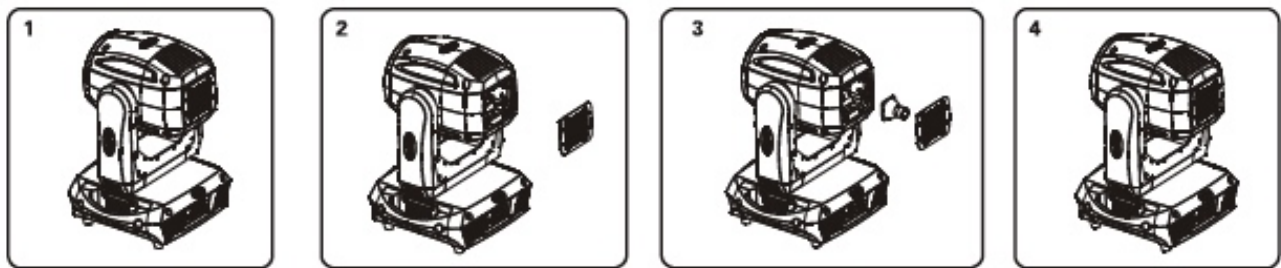
At **2,000 Hours** the LCD control display will begin to flash, **“Replace The Lamp”** and the lamp will flicker for the first five minutes of operation. At this point the lamp has reached the maximum rated life and should be replaced immediately. After the lamp has flickered for about five minutes it should strike normally allowing the fixture to be used temporarily until a replacement lamp can be installed. The fixture will continue to operate for an additional 300 hours, however the **“Replace the Lamp”** warning will continue to flash in the display. Keep in mind that the flicker protection circuitry will only work for about 300 Hours (lamp clock life of 2,000-2,300 Hours).

After 2,300 Hours the fixture will no longer respond to DMX commands and immediately enter a hibernation mode that will electronically discontinue all fixture functionality with the exception of a few menu commands. The fixture will continue to enter hibernation mode until the lamp is replaced and the lamp clock has been reset. To replace the lamp follow the safety guidelines and procedures listed on the next page.

LAMP SAFETY INSTRUCTIONS

- **ALWAYS** replace lamp every 2,000 Hours.
- Use only Genuine Original Philips™ Platinum 5R lamps. Other brand lamps may cause damage and void the warranty!
- **NEVER** touch the lamp with your bare hands, as the oil from your hands will shorten the life of the lamp.
- Always disconnect the fixture's main power supply before replacing lamp.
- Allow fixture to cool for at least 15 minutes before attempting any type of service.
- Make sure **ALL** covers/panels are replaced/secured before operating the fixture to prevent any risk and/or damage to eye retina from UV Radiation exposure!

LAMP INSTALLATION PROCEDURE

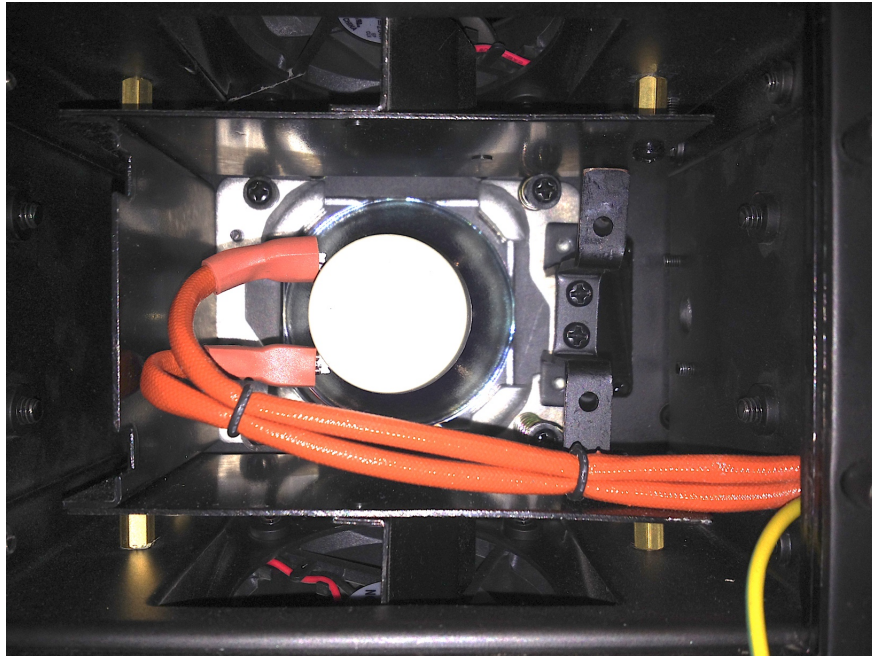


1. Place fixture on a flat surface and remove (4) screws marked “A”, “B”, “C”, and “D” and then remove rear cover plate (see image below) to access the lamp.

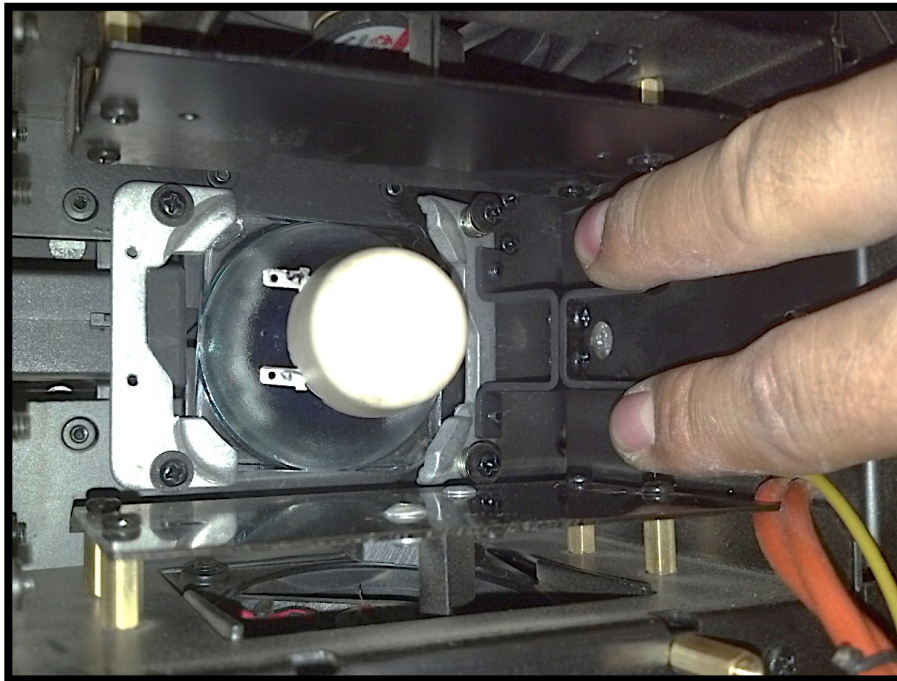
LAMP COVER PLATE



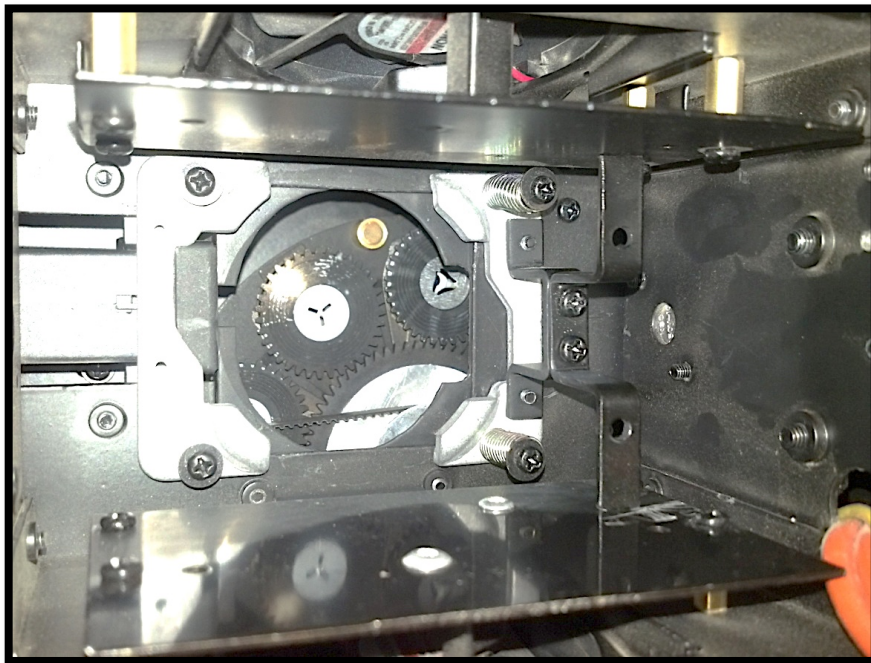
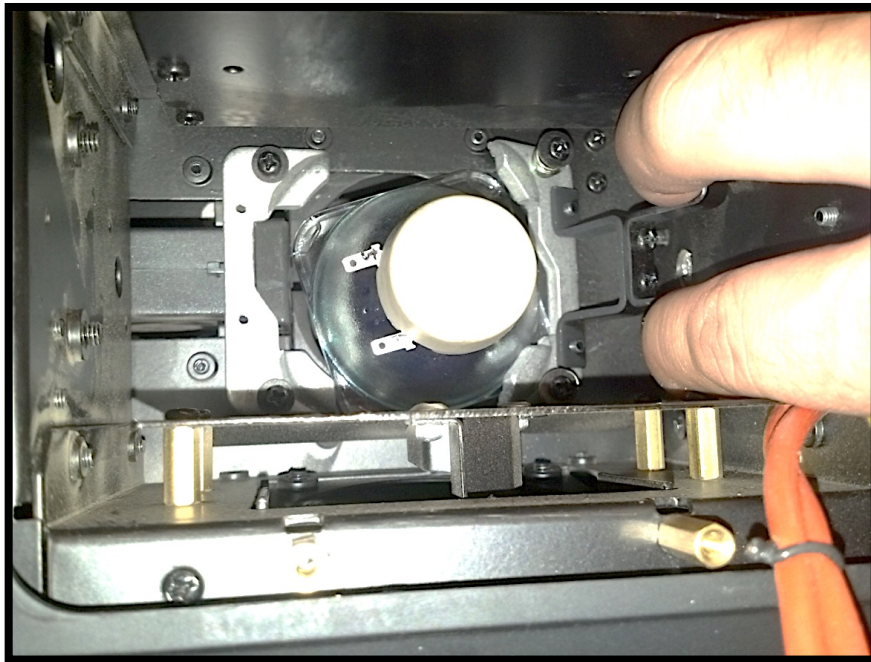
2. Gently remove **(2) Wires** connected to spade terminals on base of lamp.



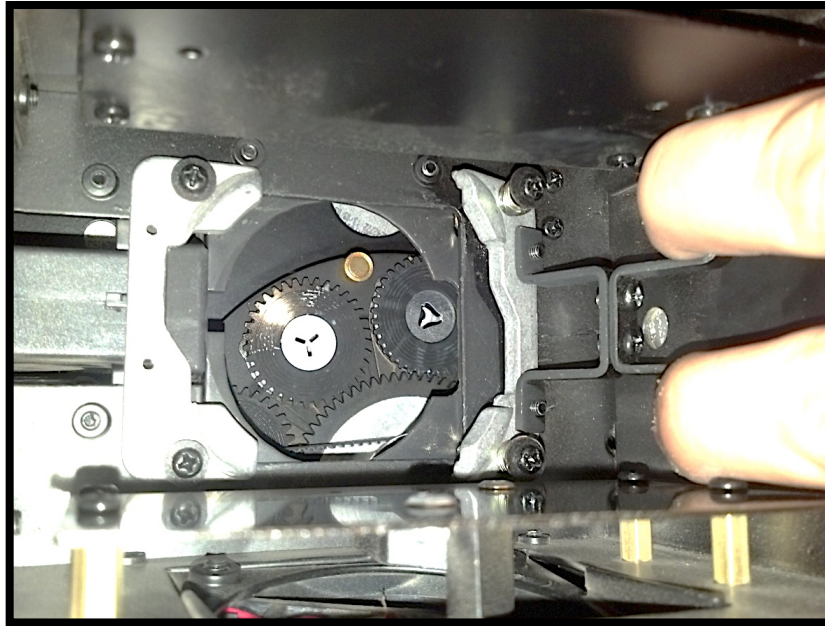
3. Using two fingers on your **RIGHT** hand, pull the retention handle **OUT** and towards the **RIGHT** as far as possible.



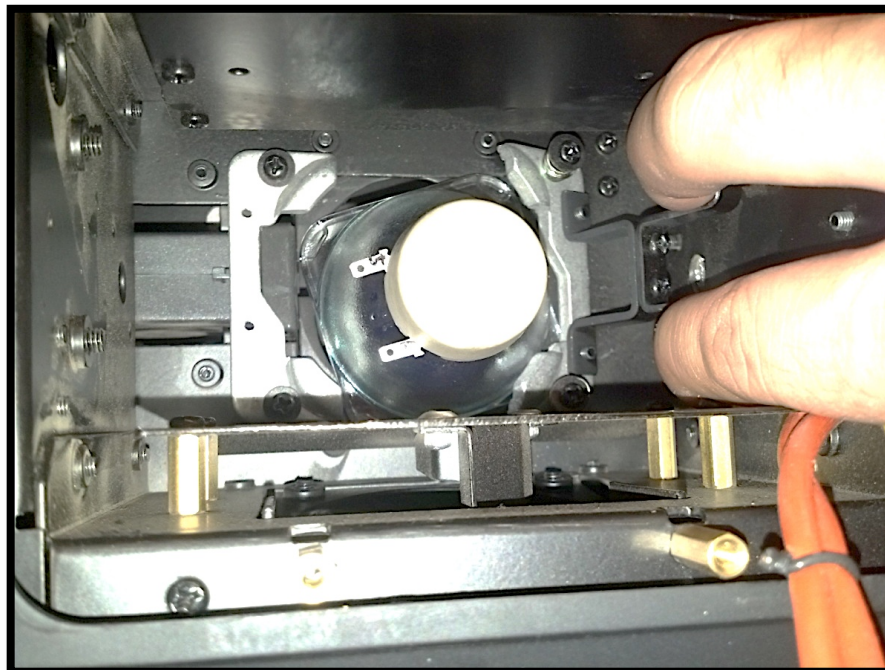
4. While pulling the retention handle with your **RIGHT** hand, use your **LEFT** hand to gently twist the lamp **COUNTERCLOCKWISE** to remove it from under the retention brackets.



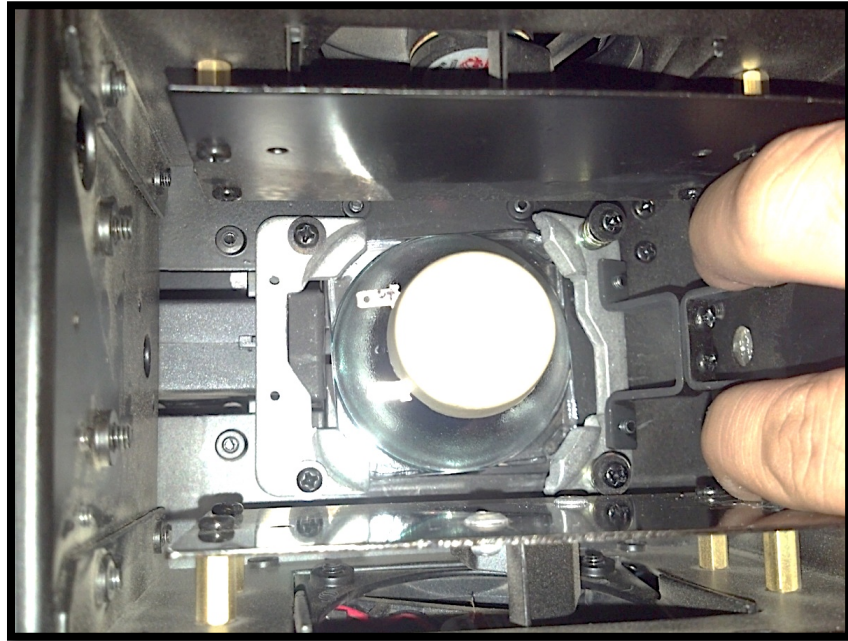
- Using two fingers on your **RIGHT** hand, pull the retention handle **OUT** and towards the **RIGHT** as far as possible.



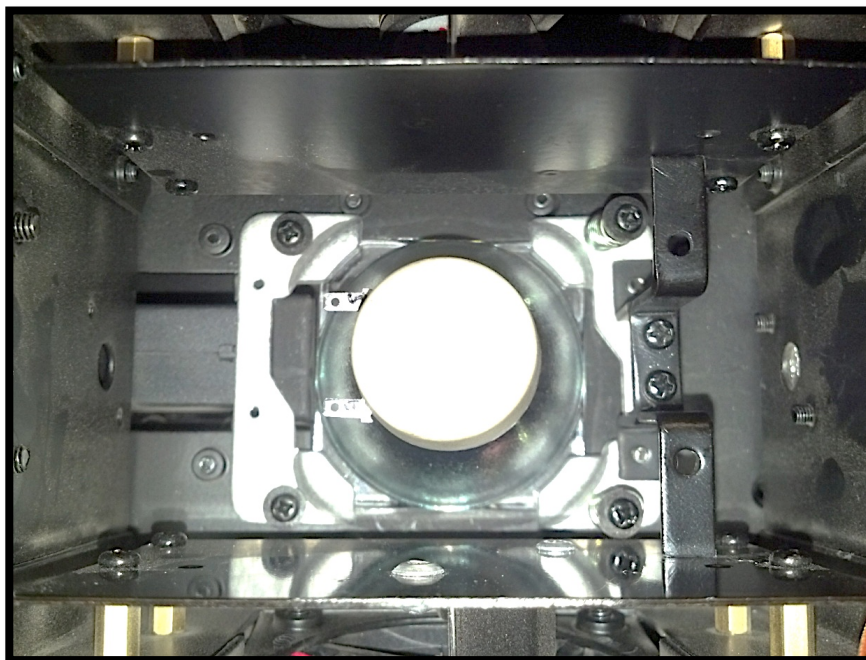
- While pulling the retention handle with your **RIGHT** hand, use your **LEFT** hand to gently install the lamp under the retention brackets by holding the lamp at a slight angle and positioning it until it is flush with the base.



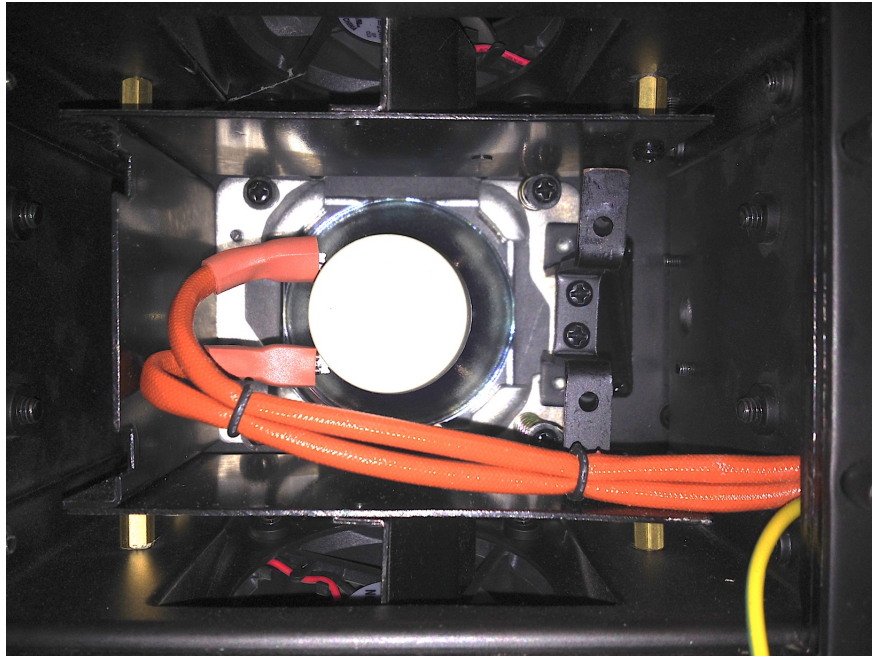
7. While still holding the retention handle with your **RIGHT** hand, gently turn the lamp **CLOCKWISE** with your **LEFT** hand until the lamp is correctly aligned under the retention brackets.



8. Release the retention handle with your **RIGHT** hand and make sure the handle is upright and not at an angle.



9. Gently attached **(2) Wires** connected to spade terminals on base of lamp.



10. Replace the lamp cover back into place by securing **(4) screws** marked “**A**”, “**B**”, “**C**”, and “**D**”.



11. Be sure to reset the **LAMP HOURS** in the system menu to prevent the protection circuitry from accidentally shutting off the lamp during normal operation.
12. If the lamp protection circuitry has already been initiated and the **LAMP HOURS** is not reset, the “**Replace the Lamp**” warning will continue to flash and fixture will eventually shut down. To reset **LAMP HOURS**, see instructions on the next page.

LAMP HOURS RESET PROCEDURE

1. Activate the main menu by pressing **MODE/ESC** and toggle to **“Information”**.
2. Press **ENTER** and press **UP** or **DOWN** to toggle to **“Time Information”**.
3. Press **UP** or **DOWN** to toggle to **“L-Timer Password”** and press **ENTER**. Then press **UP** or **DOWN** to enter the reset pass code, **“038”** and press **ENTER** to confirm. The display will automatically revert to **“L-Timer Password”**, next press **UP** or **DOWN** to toggle down to **“Clear Lamp Time”**.
4. Press **ENTER** and select **“ON”**. The lamp timer has now been reset, press **MODE/ESC** to exit the menu and return to the home screen.

LAMP OPTIMIZATION

Unlike traditional discharge lamps the **Philips™ Platinum 5R PRO Lamp** does **NOT** require optimization. The lamp orientation and optimization procedure has been preset during the manufacturing process of the lamp.

Please remember the **Philips™ Platinum 5R PRO Lamp** is **NOT** a hot-restrike lamp therefore, you must wait approximately **15 minutes** before you can attempt to restrike the lamp once it has been turned off.

INSTALLATION GUIDELINES



FLAMMABLE MATERIAL WARNING

Keep fixture at least 5.0 feet (1.5m) away from any flammable materials, decorations, pyrotechnics, etc.



ELECTRICAL CONNECTIONS

A qualified electrician should be used for all electrical connections and/or installations.



MINIMUM DISTANCE TO OBJECTS/SURFACES

MUST BE 27 FEET (8 METERS)

MAXIMUM TEMPERATURE OF EXTERNAL SURFACE 212° F (100°C)



DO NOT INSTALL THE FIXTURE IF YOU ARE NOT QUALIFIED TO DO SO!

Fixture **MUST** be installed following all local, national, and country commercial electrical and construction codes and regulations.

Before rigging/mounting the fixture to any metal truss/structure or placing the fixture on any surface, a professional equipment installer **MUST** be consulted to determine if the metal truss/structure or surface is properly certified to safely hold the combined weight of the fixture, clamps, cables, and accessories.

Fixture ambient operating temperature range is **14° to 113°F. (-10° to 45°C)**
Do not use the fixture under or above this temperature.

Fixture should be installed in areas outside walking paths, seating areas, or away from areas where unauthorized personnel might reach the fixture by hand.

NEVER stand directly below the fixture when rigging, removing or servicing.
Overhead fixture installation must always be secured with a secondary safety attachment, such as an appropriately rated safety cable.

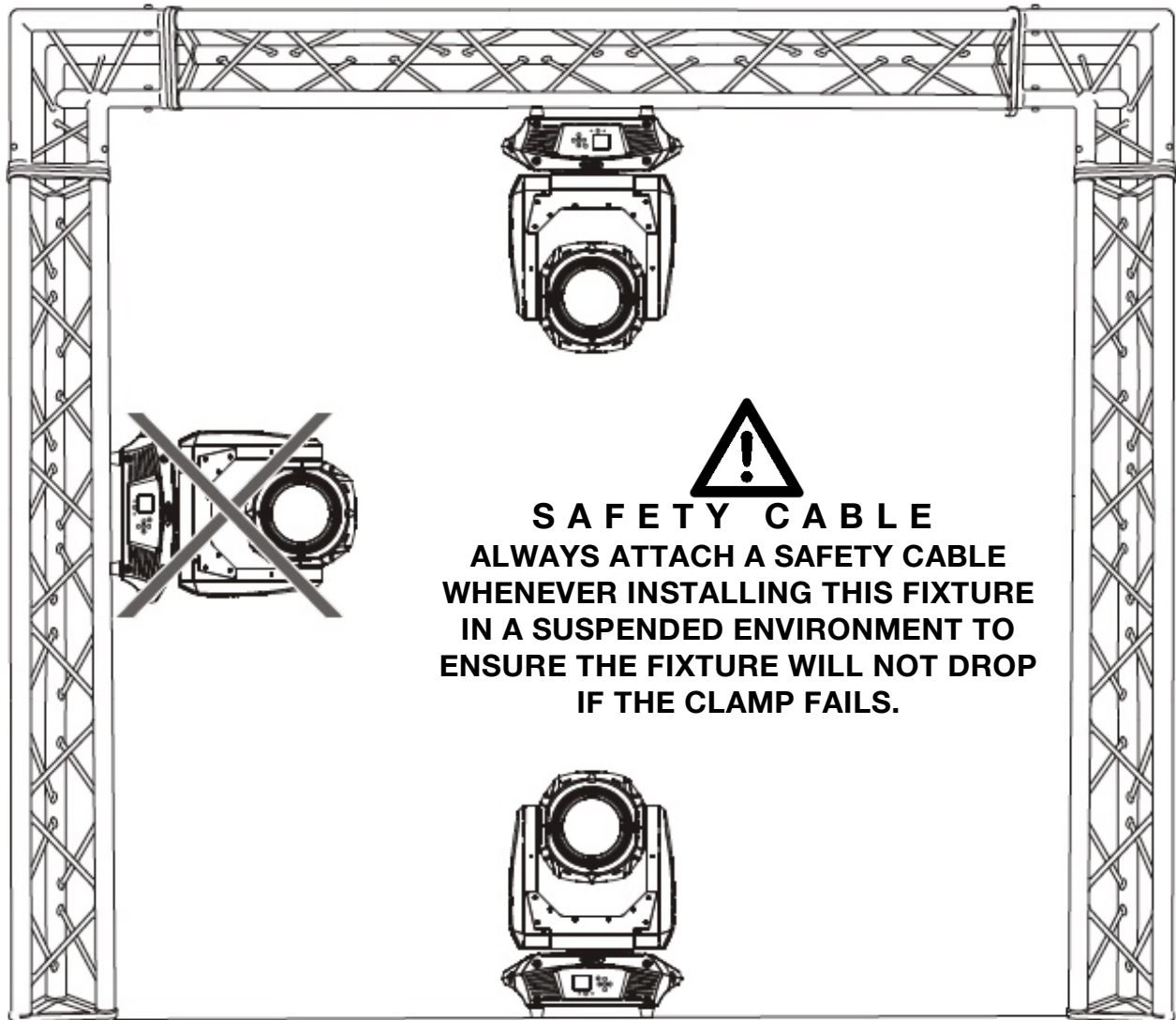
Allow approximately 15 minutes for the fixture to cool down before serving.

INSTALLATION GUIDELINES

MOUNTING POINTS

Overhead mounting requires extensive experience, including amongst others calculating working load limits, installation material being used, and periodic safety inspection of all installation material and the device. If you lack these qualifications, do not attempt the installation yourself. Improper installation can result in bodily injury.

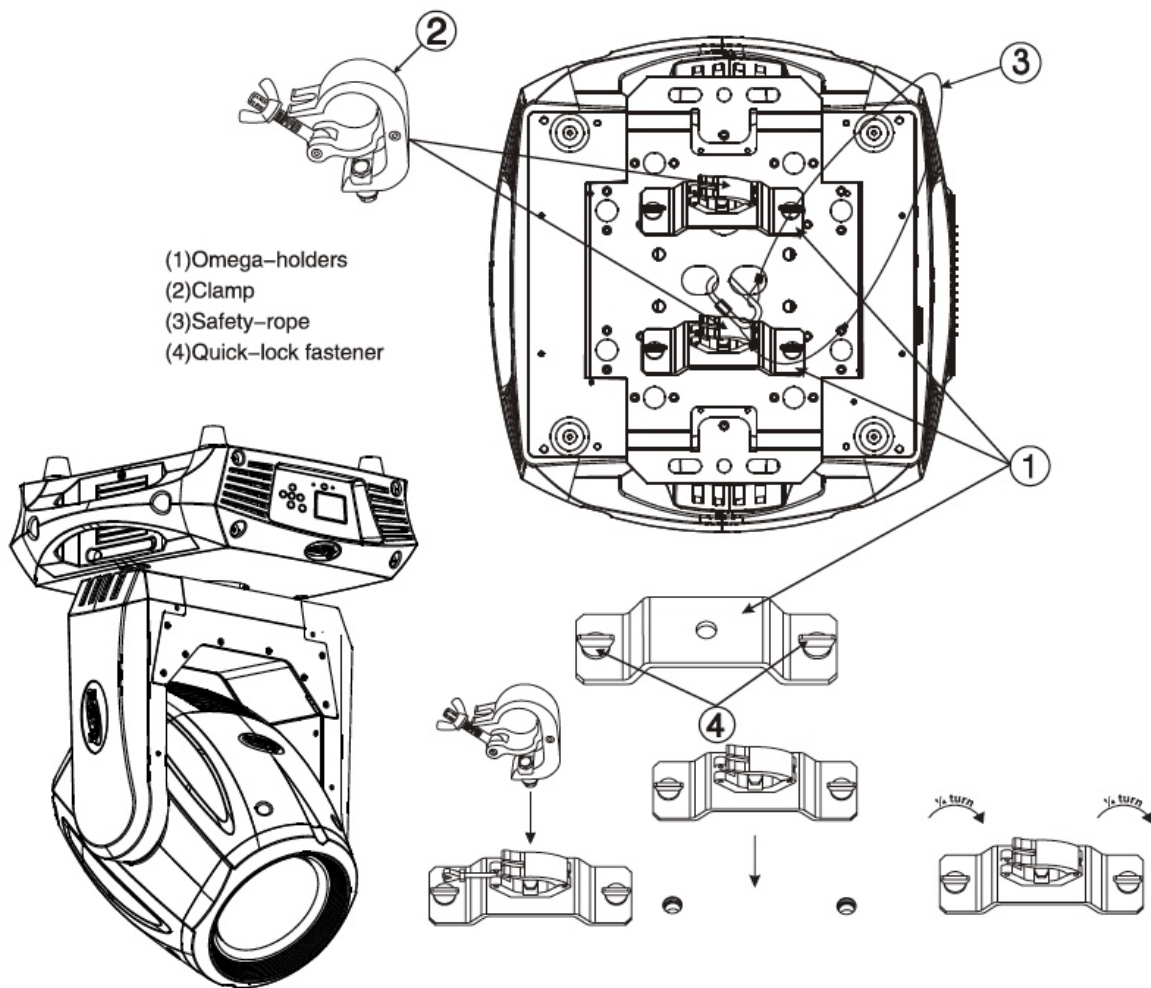
Fixture is fully operational only in the specific mounting positions as illustrated below.



INSTALLATION GUIDELINES

CLAMP MOUNTING

The fixture provides a unique mounting bracket assembly that integrates the bottom of the base, the included **Omega Brackets (x2)** and safety cable rigging point in one unit (see the illustration below). When mounting this fixture to truss be sure to secure an appropriately rated clamps to the included omega brackets using a M10 screw fitted through the center hole of the **Omega Bracket**. Be sure to attach the included **Safety Cable** to the fixture using the safety cable rigging point integrated in the base assembly.



SECURING

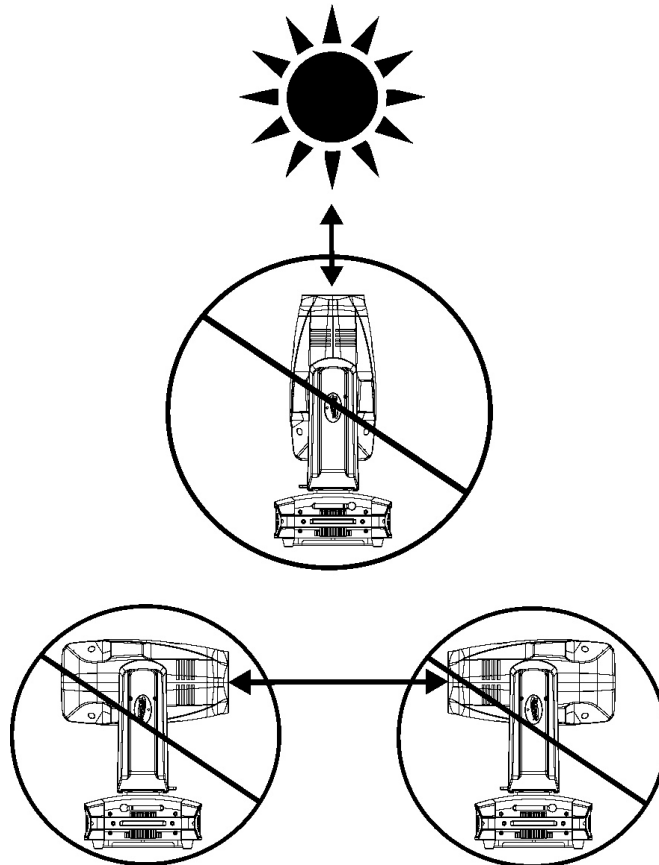
Regardless of the rigging option you choose for your fixture always be sure to secure your fixture with a safety cable. The fixture provides a built-in rigging point for a safety cable on the hanging bracket as illustrated above. Be sure to only use the designated rigging point for the safety cable and never secure a safety cable to a carrying handle.

POTENTIAL INTERNAL FIXTURE DAMAGE FROM EXTERNAL SOURCES OF LIGHT BEAMS

External sources of light beams from direct sunlight, lighting moving head fixtures, and lasers, which are focused directly towards the exterior housing and/or penetrate the front lens opening of ELATION lighting fixtures, can cause severe internal damage including burning to optics, dichroic color filters, glass and metal gobos, prisms, animation wheels, frost filters, iris, shutters, motors, belts, wiring, discharge lamps, and LEDs.

This issue is not specific only to ELATION lighting fixtures, it is a common issue with lighting fixtures from all manufacturers. Although there is no true way to fully prevent this issue from happening, the guidelines below can prevent any potential damage from occurring if followed. Contact ELATION Service for more details.

DO NOT EXPOSE THE FIXTURE AND/OR FRONT LENS OPENING TO LIGHT BEAMS FROM DIRECT SUNLIGHT, OTHER LIGHTING MOVING HEAD FIXTURES, AND LASERS WHILE UNPACKING, INSTALLATION, USE, AND EXTENDED IDLE TIMES OUTDOORS.
DO NOT FOCUS A LIGHT BEAM FROM ONE LIGHTING FIXTURE DIRECTLY TOWARDS ANOTHER.



SYSTEM MENU

The fixture includes an easy to navigate system menu. The control panel (see image below) located on the front of the fixture, provides access to the main system menu and is where all necessary system adjustments are made to the fixture. During normal operation, pressing **MODE/ESC** button once will access the fixture's main menu. Once in the main menu you can navigate through the different functions and access the sub-menus with the **UP, DOWN, RIGHT, and LEFT** buttons. Once you reach a field that requires adjusting, press the **ENTER** button to activate that field and use the **UP** and **DOWN** buttons to adjust the field. Pressing the **ENTER** button once more will confirm your setting. You may exit the main menu at any time without making any adjustments by pressing the **MODE/ESC** button.

To access the LCD Menu Control Display via the internal battery, press and hold the **MODE/ESC** button for 3 seconds. The LCD Menu Control Display will shut **OFF** automatically about 1 minute from the last button press.



ELATION PLATINUM BEAM 5R EXTREME SYSTEM MENU

Specifications and features are subject to change without any prior written notice.

MAIN MENU	SUB MENU	OPTIONS / VALUES (Default Settings in BOLD)		DESCRIPTION	
FUNCTION	Set DMX Address	A001~AXXX		DMX Address Setting	
	DMX Value	ALL.....		DMX Value Display	
	Slave Mode	Slave1, Slave2, Slave3		Slave Setting	
	Auto Program	Master / Alone		Auto Program	
	Sound Control	Master / Alone		Sound Control	
INFORMATION	Time Information	Current Time	XXXX (Hours)	Fixture Run Time From Power ON	
		Total Run Time	XXXX (Hours)	Fixture Total Run Time	
		Last Run Time	XXXX (Hours)	Clear Fixture Last Run Time	
		Lamp Hours	XXXX (Hours)	Lamp Total Run Time	
		Lamp Off Time	XXXX (Minutes)	Lamp OFF Time	
		LastRun Password	Password=XXX	Password 038	
		Clean Last Run	ON / OFF	Reset Fixture Last Run Time	
		LampTime Password	Password=XXX	Password 038	
		Clean Lamp Time	ON / OFF	Reset Lamp Run Time	
	Temperature Info	Head Temperature	XXX C° / F°	Temperature in Fixture Head	
Software Version	V1.0.0...		Software Version		
LAMP CONTROL	Lamp ON or OFF	ON/OFF		Lamp ON/OFF	
	Automatic Lamp ON	ON/OFF		Lamp ON/OFF when Power ON	
	Lamp ON via DMX	ON/OFF		Lamp ON via DMX	
	Lamp OFF via DMX	ON/OFF		Lamp OFF via DMX	
	Max ON at Temp	20~79°C (45°C) / 68 ~ 174°F (113°F)		Lamp ON at Temp	
	Lamp OFF Temp	80~139°C (130°C) / 176 ~ 282°F (266°F)		Lamp OFF at Temp	
PERSONALITY	Status Settings	Address via DMX	ON/OFF	Address Via DMX	
		No DMX Status	Close/ Hold /Auto/Music	Auto Run If No DMX	
		Pan Reverse	ON/OFF	Pan Reverse Movement	
		Tilt Reverse	ON/OFF	Tilt Reverse Movement	
		Pan Degree	630/ 540 /540-90 Offset	Pan Degree Select	
		Feedback	ON/OFF	Movement Feedback	
		Movement Speed	Speed 1 ~ 4	Movement Mode Select	
		Mic Sensitivity	0-99%	Sensitivity of Microphone	
	Hibernation	OFF, 01M~99M, 15M	Stand By Mode		
	Service Setting	Password	Password=XXX		Service Password 050
		RDM PID	XXXXXX		RDM PID Code
	Fans Control	Auto , High, Low		Fans Speed Select	
	Display Setting	Shutoff Time	02~60m 05m	Display Shut Off Time	
		Display Reverse	ON/OFF	Display Reverse 180°	
		Key Lock	ON/OFF	Key Lock	
	Temperature C/F	Celsius/Fahrenheit		Temperature Switch Between C°/ F°	
	Initial Status	PAN =XXX		Initial Effect Position	
	Wireless DMX	WDMX OFF			De-activate WDMX
		Activate WDMX			Activate WDMX
		Act & Data Out			Act & Data Out
Clean WDMX Memo				Reset Wireless DMX Mem	
Reset Default	ON/OFF		Restore factory settings		

ELATION PLATINUM BEAM 5R EXTREME SYSTEM MENU

Specifications and features are subject to change without any prior written notice.

MAIN MENU	SUB MENU	OPTIONS / VALUES (Default Settings in BOLD)	DESCRIPTION	
Reset Function	Reset All		Reset All Motors	
	Reset Pan^Tilt		Reset Pan/Tilt	
	Reset Colors		Reset Color Wheel	
	Reset Gobos		Reset Gobos	
	Reset Shutter		Reset Shutter and/or Dimmer	
	Reset Others		Reset Other Motors	
Effect Adjust	Test Channel	PAN	Test function	
	Manual Control	PAN =XXX,	Fine Adjustments	
	Calibration	Calibrate Password	Password 050	
User Mode Set	User Mode	Standard Mode	DMX Channel Modes	
		Basic Mode		
		Extended Mode		
		User Mode A	User Defined Channel Assignment	
		User Mode B		
	User Mode C			
	Edit User Mode	Max Channel = XX PAN = CH01	Edits User Defined Channel Assignments	
Edit Program	Select Programs	Auto Pro Part1 = Program 1~10 (Program 1)	Select Programs To Be Run	
		Auto Pro Part2 = Program 1~10 (Program 2)		
		Auto Pro Part3 = Program 1~10 (Program 3)		
	Edit Program	Program 1	Program Test	Testing Program
		:	Step 01=SCxxx	Program In Loop
		Program 10	Step 64=SCxxx	Save and Exit
	Edit Scenes	Scene 001 ~ Scene 250	Pan,Tilt,.....	Save and Automatically Return
			--Fade Time-- --Scene Time--	Manual Scenes Edit
			Input By Outside	Stores Scenes via Ext DMX Console
Record Controller	XX~XX	Automatic Scenes Recorder		

FUNCTION - Auto Program

Define fixture mode (**Master or Alone**) for running Auto Programs. Select desired internal programs under "**Select Program**", set the number of steps under "**Edit Program**", and edit individual scenes under "**Edit Scenes**".

This counter can be reset.

LAMP CONTROL - Lamp ON at Temp

The fixture is designed to shut the lamp OFF when an excessive temperature is sensed inside the head by the on-board CPU. The lamp is shut OFF to prevent damage to the lamp and avoid possible internal damage to the fixture head.

This function sets the MIN internal operating temperature of the fixture head before the lamp will restrike after the lamp has been automatically shut OFF.

LAMP CONTROL - Lamp OFF Temp

The fixture is designed to shut the lamp OFF when an excessive temperature is sensed inside the head by the on-board CPU. The lamp is shut OFF to prevent damage to the lamp and avoid possible internal damage to the fixture head.

This function sets the MAX internal operating temperature of the fixture head when the lamp will automatically be shut OFF.

PERSONALITY - Status Settings - Address Via DMX

When ON, define the desired DMX address via an external controller.

1. Connect the fixture to the external controller and power ON.
2. Set the DMX value of **Channel 1** on the controller to **(7)**.
3. Set the DMX value of **Channel 2** on the controller to **(7)** or **(8)**.
When set to **(7)**, the DMX address can be set between **(1)** and **(255)**.
When set to **(8)**, the DMX address can be set between **(256)** and **(511)**.
4. Using **Channel 3** on the controller set the desired DMX address of the fixture.

Example 1:

If the desired DMX address is **57**, set **Channel 1** to a value of **(7)**, set **Channel 2** to a value of **(7)**, and then set **Channel 3** to a value of **(57)**.

Example 2:

If the desired DMX address is **420**, set **Channel 1** to a value of **(7)**, set **Channel 2** to a value of **(8)**, and then set **Channel 3** to a value of **(164)**. (256+164=420)

5. After setting **Channel 3** to the desired DMX address value, wait for approximately 20 seconds for the fixture to complete the address reset function.

EFFECT ADJUST – Manual Control

Select and manually test and fine adjust each individual channel function

Independently from DMX control board. This function will center PAN and TILT motors and set dimmer to 100%. PAN and TILT functions will still operate if the fixture needs to be positioned to a flat clear surface. With the individual functions, you can focus the light on a flat surface (wall) and perform fine adjustments.

EFFECT ADJUST – Calibration

ONLY QUALIFIED TECHNICIANS SHOULD PERFORM THIS FUNCTION.

This function allows small adjustments to be made to the effect wheels (Color, Gobo, Shutter, etc.) to compensate for wear or in the event a sensor has been knocked slightly out of place. Because improper use of this function can result in undesired operation this function has been password protected. The password is **050** and must be entered each time the calibration menu function is entered. Because calibration is an extremely delicate procedure, instructions on performing this action are left out of this manual. For a first time calibrator, please contact our customer support team for step-by-step instructions.

USER MODE SET – User Mode

Select operating mode, which includes DMX Channel and User defined modes.

USER MODE SET – Edit User Mode

Create user defined channel orders allowing the fixture to match the channel order of other fixtures on the market for easier operation. A total of three user modes may be configured: User Mode A, User Mode B, and User Mode C.

EDIT PROGRAM – Select Program

Select one of the (10) user defined internal Auto Programs.

EDIT PROGRAM – Edit Program

Edit any of the (10) user defined internal Auto Programs.

EDIT PROGRAM – Edit Scenes

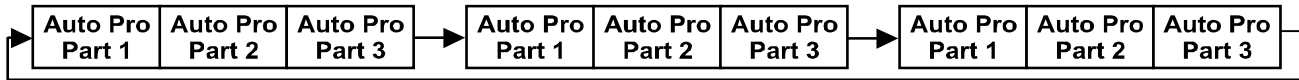
Edit any of the scenes of the internal Auto Programs.

EDIT PROGRAM – Record Controller

The fixture features an integrated DMX-recorder by which you can transmit the programmed scenes from your DMX-controller to the moving head. Adjust the desired scene numbers via the encoder (from – to). When you call up the scenes at your controller, they will automatically be transmitted to the moving head.

EDIT PROGRAM – Record Controller – Working With Built In Programs

A Master unit can send up to 3 different data groups to the Slave units, i.e. a Master unit can start 3 different Slave units, which run 3 different programs. The Master unit sends the 3 program parts in a continuous loop.



The Slave unit receives data from the Master unit according to the group which the Slave unit was assigned to. If e.g. a Slave unit is set to **“Slave 1”** in the menu **“Set to Slave”**, the Master unit sends **“Auto Program Part 1”** to the Slave unit.

If set to **“Slave 2”**, the Slave unit receives **“Auto Program Part 2”**.

To start an Auto Program proceed as follows:

1. Slave Setting

- Select **“Function Mode”**.
- Press **ENTER** to confirm.
- Select **“Set to Slave”**.
- Press **ENTER** to confirm.
- Select **“Slave 1”**, **“Slave 2”** or **“Slave 3”**.
- Press **ENTER** to confirm.
- Press **MODE/ESC** in order to return to the main menu.

2. Automatic Program Run

- Select **“Function Mode”**.
- Press **ENTER** to confirm.
- Select **“Auto Program”**.
- Press **ENTER** to confirm.
- Select **“Master”** or **“Alone”**.
- Press **ENTER** to confirm.
- Press **MODE/ESC** in order to return to the main menu.

EDIT PROGRAM – Record Controller – Working With Built-In Program [continued]

3. Program Selection for Auto Pro Part

- Select **“Edit Program”**.
- Press **ENTER** to confirm.
- Select **“Select Programs”**.
- Press **ENTER** to confirm.
- Select **“Auto Pro Part 1”**, **“Auto Pro Part 2”** or **“Auto Pro Part 3”**, and select which Slave program is to be sent. Selection **“Part 1”** means, that the Slave unit runs the same program as the master units.
- Press **ENTER** to confirm.
- Press **MODE/ESC** in order to return to the main menu.

4. Program Selection for Edit Program

- Select **“Edit Program”**.
- Press **ENTER** to confirm.
- Select **“Edit Program”**.
- Press **ENTER** to confirm.
- Select the desired program. With this function you can edit specific scenes into a specific program.
- Press **ENTER** to confirm.
- Press **MODE/ESC** in order to return to the main menu.

5. Automatic Scene Recording

- Select **“Edit Program”**.
- Press **ENTER** to confirm.
- Select **“Edit Scenes”**.
- Select desired scene numbers. A maximum of 250 scenes can be programmed.
- Press **ENTER** to confirm.
- Press **MODE/ESC** in order to return to the main menu.

EDIT PROGRAM – Record Controller – Working With Built-In Program [continued]

Example:

Program 2 includes scenes: 10, 11, 12, & 13

Program 4 includes scenes: 8, 9, & 10

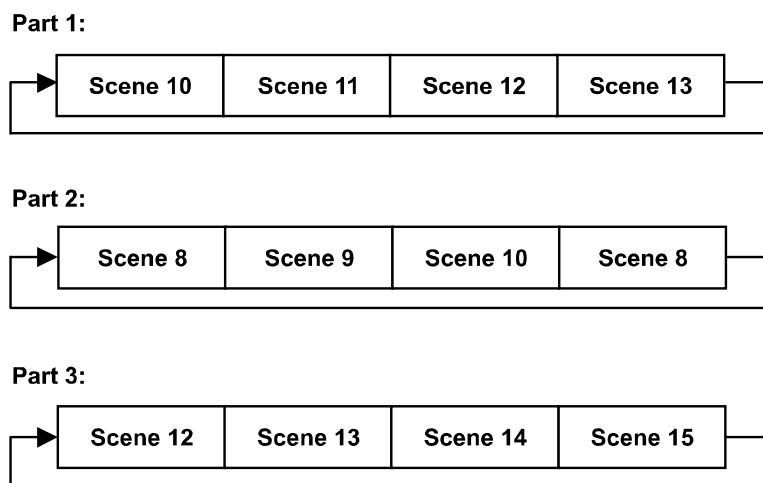
Program 6 includes scenes: 12, 13, 14, & 15

Auto Pro Part 1 is Program 2

Auto Pro Part 2 is Program 3

Auto Pro Part 3 is Program 6

The 3 Slave groups run the Auto Program in certain time segments, as shown in the following picture:



WDMX INTERNAL WIRELESS DMX RECEIVER SET UP

The fixture is equipped with an internal Wireless DMX Receiver, which is fully compatible with an **Elation Wireless DMX System**. Access the “**Wireless DMX**” sub menu from the “**PERSONALITY**” menu, then select desired WDMX connection function, which includes:

WDMX Off - Turn OFF Wireless DMX

Activate WDMX - Turn ON Wireless DMX

Act & Data Out - Turn ON Wireless DMX and send DMX data to wired 3/5pin outputs

Clean WDMX Memo - Clear WDMX memory

When the **WDMX** system is “**Activated**” the internal DMX “**IN**” XLR jacks are OFF. However the internal DMX “**OUT**” XLR jacks will function normally. If the fixture is powered ON with the internal **WDMX** system “**Activated**”, it will automatically scan for a wireless DMX signal from an **Elation Wireless Transmitter**.

IF NO WIRELESS SIGNAL AVAILABLE, FIXTURE WILL SEND DATA TO 3/5PIN OUTPUTS!



W A R N I N G !

NEVER CONNECT A FIXTURE TO A CONTROLLER VIA A DMX CABLE WHEN THE WDMX SYSTEM IS IN USE. THIS COULD CAUSE SERIOUS DAMAGE TO THE CONTROLLER!!

SETTING UP THE WDMX SYSTEM

Follow the instructions included with the **Elation EWDMX Transmitter** and connect it to the output of your DMX controller. To sync your fixture with the **Elation EWDMX Transmitter** follow the steps below:

- Initially, the **Wireless Indicator** on the fixture control panel should be solid **RED**.
- Press and hold the configuration button on your **EWDMX Transmitter** for about 3 seconds. The **RED/GREEN LED** indicators on the **EWDMX Transmitter** and the fixture should begin to flash rapidly for about 5-10 seconds while the two systems pair.
- Once the fixture is paired with the **EWDMX Transmitter (T1)**, the **Wireless** status indicators on the both the fixture and the **EWDMX Transmitter** will stop flashing and glow solid **GREEN**. If pairing is unsuccessful repeat the process until pairing is secured.
- The fixture will store the pairing information inside a nondestructive memory bank once a link is created between the fixture and an **EWDMX Transmitter**. The fixture will remember the paired **EWDMX Transmitter** even if the fixture is turned OFF for extended periods of time.

WDMX INTERNAL WIRELESS DMX RECEIVER SET UP

CLEARING EWDMX TRANSMITTER LINK

- Access the “**Wireless DMX**” sub menu from the “**PERSONALITY**” menu, and then select “**Clear WDMX Memo**” to clear any existing link between the fixture and a **EWDMX Transmitter**. The **Wireless** indicator on the fixture will turn solid **RED** when the link is severed.
- You may also clear the link directly from the **EWDMX Transmitter**. First, be sure the fixture(s) is powered ON, and then hold down the configuration button on the **EWDMX Transmitter** for at least 5 seconds. This will automatically clear the link between the **EWDMX Transmitter** and any fixture that is powered ON. All **EWDMX** indicators will glow solid **RED** if the procedure was successful.

FIXTURE WIRELESS INDICATOR

RED/GREEN (Rapid Flashing) = Syncing to an EWDMX Transmitter.

RED/GREEN (Slow Flashing) = Paired with an EWDMX Transmitter but not receiving a DMX signal from a controller.

GREEN (Solid) = Paired with an EWDMX Transmitter and receiving DMX data.

RED (Solid) = Not paired with an EWDMX Transmitter (FREE).

DMX CHANNEL FUNCTIONS AND VALUES

RELATION PLATINUM BEAM 5R EXTREME			
DMX Channel Values / Functions (18 DMX Channels)			
Specifications are subject to change without any prior written notice.			
*Rotation direction (Clockwise or Counterclockwise) of COLOR, GOBO, and PRISM effects depends on the orientation of the fixture head.			
MODE / CHANNEL			FUNCTION
BASIC	STAND	EXTEND	VALUE
1	1	1	
			0-255
2		2	
			0-255
2	3	3	
			0-255
4		4	
			0-255
3	5	5	
			0-10
			11-21
			22-32
			33-43
			44-54
			55-65
			66-76
			77-87
			88-98
			99-109
			110-120
			121-127
			128-189
			190-193
194-255			
		6	
			0-255
4	6	7	
			0-9
			10-19
			20-29
			30-39
			40-49
			50-59
			60-69
			70-79
			80-89
			90-104
			105-119
			120-134
			135-149
			150-164
			165-179
			180-194
			195-209
			210-255

ELATION PLATINUM BEAM 5R EXTREME DMX Channel Values / Functions (18 DMX Channels)

Specifications are subject to change without any prior written notice.

*Rotation direction (Clockwise or Counterclockwise) of COLOR, GOBO, and PRISM effects depends on the orientation of the fixture head.

MODE / CHANNEL			VALUE	FUNCTION
BASIC	STND	EXTEND		
		9		ROTATING GOBOS, FINE INDEX ROTATION
			0-255	Gobo Rotation FINE Indexing
				ROTATING GOBOS, INDEX ROTATION
			0-127	Gobo Indexing
5	7	8	128-189	*Clockwise Gobo Rotation from FAST TO SLOW
			190-193	NO Rotation
			194-255	*Counterclockwise Gobo Rotation from SLOW to FAST
				ROTATING PRISM, PRISM / GOBO MACROS
			0-3	OPEN
			4-63	8-FACET PRISM *Clockwise Rotation from FAST to SLOW
			64-67	NO Rotation
			68-127	8-FACET PRISM *Counterclockwise Rotation from SLOW to FAST
			128-135	Macro 1
			136-143	Macro 2
			144-151	Macro 3
			152-159	Macro 4
			160-167	Macro 5
			168-175	Macro 6
			176-183	Macro 7
			184-191	Macro 8
			192-199	Macro 9
			200-207	Macro 10
			208-215	Macro 11
			216-223	Macro 12
			224-231	Macro 13
			232-239	Macro 14
			240-247	Macro 15
			248-255	Macro 16
				FOCUS
7	9	11	0-255	Continuous Adjustment from NEAR to FAR
				FOCUS FINE
		12	0-255	Continuous FINE Focus Adjustment
				SHUTTER, STROBE
			0-31	Shutter CLOSED
			32-63	NO Function (Shutter OPEN)
			64-95	Strobe Effect SLOW to FAST
			96-127	NO Function (Shutter OPEN)
			128-159	Pulse Effect In Sequences
			160-191	NO Function (Shutter OPEN)
			192-223	Random Strobe Effect SLOW to FAST
			224-255	NO Function (Shutter Open)
				DIMMER INTENSITY
9	11	14	0-255	Intensity 0 to 100%
				DIMMER INTENSITY FINE
		15	0-255	Dimmer Intensity FINE Adjustment

**ELATION PLATINUM BEAM 5R EXTREME
DMX Channel Values / Functions (18 DMX Channels)**

Specifications are subject to change without any prior written notice.

*Rotation direction (Clockwise or Counterclockwise) of COLOR, GOBO, and PRISM effects depends on the orientation of the fixture head.

MODE / CHANNEL			VALUE	FUNCTION
BASIC	STND	EXTEND		
10	12	16		FROST
			0-127	Disable FROST
			128-255	Enable FROST
11	13	17		PAN / TILT MOVEMENT SPEED
			0-225	MAX to MIN Speed
			226-235	Blackout by Movement
			236-245	Blackout by ALL Wheel Changing
			246-255	NO Function
12	14	18		LAMP ON/OFF, RESET, INTERNAL PROGRAMS
			0-19	COLOR & GOBO Change Normal
			20-29	COLOR Change to Any Position
			30-39	COLOR & GOBO Change to Any Position
			40-59	LAMP ON
			60-79	LAMP Switch OFF
			80-84	ALL Motor Reset
			85-87	SCAN Motor Reset
			88-90	COLORS Motor Reset
			91-93	GOBO Motor Reset
			94-96	SHUTTER & DIMMER Motor Reset
			97-99	OTHER Motor Reset
			100-119	Internal Program 1
			120-139	Internal Program 2
			140-159	Internal Program 3
			160-179	Internal Program 4
			180-199	Internal Program 5
			200-219	Internal Program 6
220-239	Internal Program 7			
240-255	Auto Program by Sound Control			

ERROR CODES

When power is applied, the unit will automatically enter a **“Reset/Test”** mode. This mode brings all the internal motors to a home position. If there is an internal problem with one or more of the motors an error code will flash in the display in the form of **“XXer”** where as XX will represent a function number. For example, when the display shows **“0Er”** it means there is some type of error with the Pan motor. If there are multiple errors during the start-up process they will all flash in the display. For example: if the fixtures has errors on **Channel 1, 2, and 5** all at the same time, you will see the error message **“01Er”, “02Er”, and “05Er”** flash repeated 5 times.

If an error does occur during the initial start-up procedure the fixture will self-generate a second reset signal and try to realign all the motors and correct the errors. If the error persists after a second attempt a third attempt will be made. If after a third attempt all the errors have not been corrected the fixture will make the following determinations:

- **3 or More Errors** - The fixture cannot function properly with three or more errors therefore the fixture will place itself in a stand-by mode until subsequent repairs can be made.
- **Less Than 3 Errors** - The fixture has less than 3 errors; therefore most other functions will work properly. The fixture will attempt to operate normally until the errors can be correct by a technician. The errors in question will remain flashing in the display as a reminder of internal errors.

PAN Er	Gobo Rot. 1 Er
TILT Er	Focus Er
Color Wheel Er	Gobo Wheel 1 Er

SPECIFICATIONS

SOURCE

189W Platinum 5R Lamp

2,000 Hour Average Life*

*May vary depending on several factors including but not limited to:
Environmental Conditions, Power/Voltage, Usage Patterns (On-Off Cycling), Control, and Dimming.

EFFECTS

Frost

Motorized Focus

Strobe (1-18 fps)

Electronic Dimming: 0% - 100%

8 Facet Rotating Prisms and Macros

COLOR

(12) Colors Including UV, CTO, CTB

GOBOS

(8) Metal Rotating, Indexing, Interchangeable Gobos

CONTROL / CONNECTIONS

(3) DMX Channel Modes (12 / 14 / 18)

Remote Device Management

Pan Movement: 540°/630° / Tilt Movement: 270°

6 Button Control Panel

Full Color 180° Reversible LCD Menu Display

16 Bit 3-Phase Pan/Tilt Motors

3pin & 5pin DMX In/Out

powerCON In

Internal EWDMX Wireless DMX Receiver

SIZE / WEIGHT

Length: 13.9" (352mm)

Width: 13.0" (329mm)

Vertical Height: 20.0" (509mm)

Weight: 44.0 lbs. (20.0 kg)

ELECTRICAL / THERMAL

AC 100-240V - 50/60Hz

350W Max Power Consumption

14°F to 113°F (-10°C to 45°C)

APPROVALS

CE | IP20



Please Note: Specifications and improvements in the design of this unit and this manual are subject to change without any prior written notice.

COLORS AND GOBOS

COLOR WHEEL



INTERCHANGEABLE-ROTATING GOBO WHEEL

OD: Ø13.8mm** ID: Ø6.0mm

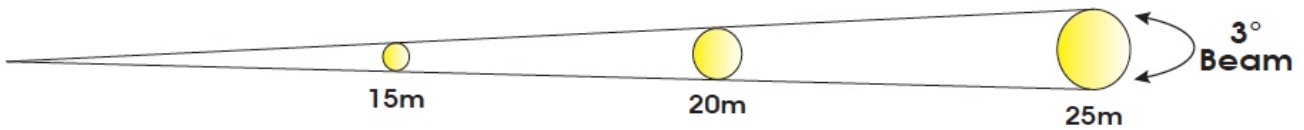


**IMPORTANT NOTICE REGARDING GOBO DIMENSIONS AND CUSTOM GOBOS

OD = Outside Diameter | ID = Image Diameter

Due to varying manufacturing processes, it is highly recommended to provide a gobo and holder sample from the fixture to 3rd party custom gobo vendors for accurate sizing.

PHOTOMETRIC DATA



Distance	15m		20m		25m	
	m	ft	m	ft	m	ft
3° Beam Diameter	0.79	2.6	1.05	3.4	1.31	4.3
	lux	fc	lux	fc	lux	fc
FULL ON	100,100	9,299	55,363	5,143	35,915	3,337

Please Note: Specifications and improvements in the design of this unit and this manual are subject to change without any prior written notice.

FCC STATEMENT

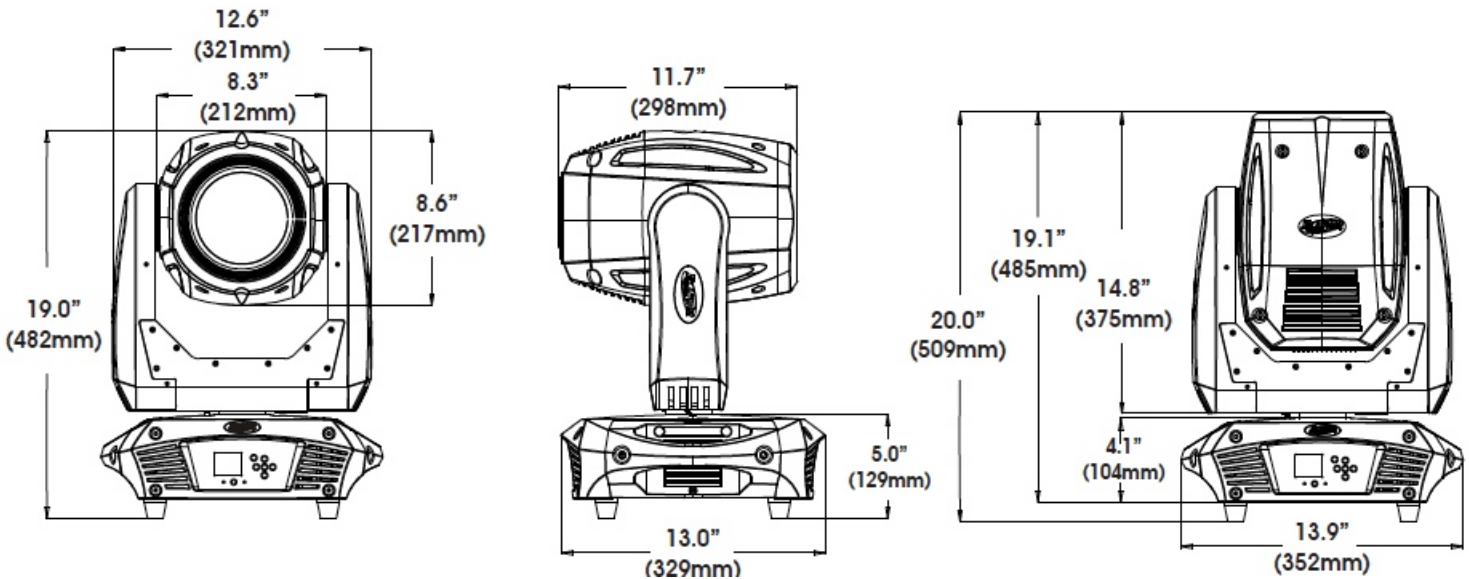
This device complies with Part 15 of the FCC Rules. Operation is subject to the following two conditions: (1) this device may not cause harmful interference, and (2) this device must accept any interference received, including interference that may cause undesired operation.

FCC RADIO FREQUENCY INTERFERENCE WARNINGS & INSTRUCTIONS

This product has been tested and found to comply with the limits as per Part 15 of the FCC Rules. These limits are designed to provide reasonable protection against harmful interference in a residential installation. This device uses and can radiate radio frequency energy and, if not installed and used in accordance with the included instructions, may cause harmful interference to radio communications. However, there is no guarantee that interference will not occur in a particular installation. If this device does cause harmful interference to radio or television reception, which can be determined by turning the device off and on, the user is encouraged to try to correct the interference by one or more of the following methods:

- Reorient or relocate the device.
- Increase the separation between the device and the receiver.
- Connect the device to an electrical outlet on a circuit different from which the radio receiver is connected.
- Consult the dealer or an experienced radio/TV technician for help.

DIMENSIONAL DRAWINGS



Please Note: Specifications and improvements in the design of this unit and this manual are subject to change without any prior written notice.

OPTIONAL ACCESSORIES

ORDER CODE	ITEM
ZB-MSD PLATINUM 5R	Philips MSD Platinum 5R Lamp
TRIGGER CLAMP	Heavy Duty Wrap Around Hook Style Clamp
DRCPLAT	Dual Flight Case For Platinum Beam 5R EXTREME™
DRCPLATQUAD	Quad Flight Case For Platinum Beam 5R EXTREME™
EWDMSYSTEM	Wireless DMX System (1 Transmitter, 1 Receiver)
AC3PDMX5PRO	5 ft. (1.5m) 3pin PRO DMX Cable
AC5PDMX5PRO	5 ft. (1.5m) 5pin PRO DMX Cable
	Additional Cable Lengths Available

