

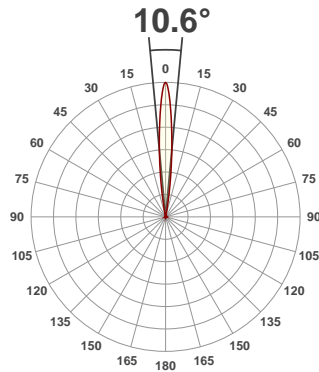
Light efficiency:



Light quality:



Color temperature:

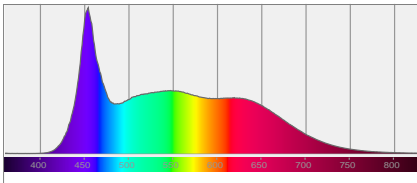


Product name:
Fuze Wash Z575

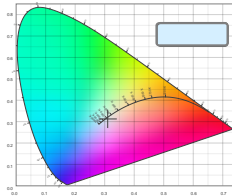
Test:
Zoom

Output: 6760 Lumen Power consumption: 329 W Peak: 142204 cd

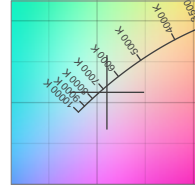
Spectral distribution



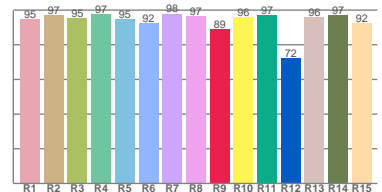
Color coordinates



White color point

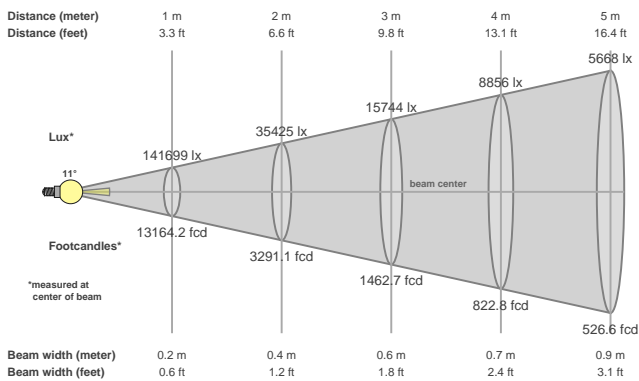


CRI R values



Color temperature	Color rendering index	Red component	Color fidelity	Color gamut	Color quality scale	Color coordinate cie 1931	Color coordinate cie 1931	Color coordinate	Color coordinate	Color divition from black body
CCT	CRI	CRI R9	TM30 Rf	TM30 Rg	CQS	x	y	u	v	Δuv
6812 K	95.8	89.3	89.8	100.8	92.1	0.310	0.313	0.202	0.306	0.0074

Beam details



Beam angles

Beam angle 50%	Field angle 10%	Cutoff angle 2,5%
10.6°	19.1°	23.5°

Beam intensities

Peak intensity	Int. ratio in 120° cone	Int. ratio in 90° cone
142204 cd	1.0%	0.9%

Power

Power	Power factor	Power frequency
329 W	1.0	0 Hz

Nominal voltage	Voltage	Current
230 V	118 V	2.80 A

Beam intensities from 1-20m

1m	2m	3m	4m	5m	6m	7m	8m	9m	10m	11m	12m	13m	14m	15m	16m	17m	18m	19m	20m
3.3ft	6.6ft	9.8ft	13.1ft	16.4ft	19.7ft	23ft	26.2ft	29.5ft	32.8ft	36.1ft	39.4ft	42.7ft	45.9ft	49.2ft	52.5ft	55.8ft	59.1ft	62.3ft	65.6ft
141699 lx	35425 lx	15744 lx	8856 lx	5668 lx	3936 lx	2892 lx	2214 lx	1749 lx	1417 lx	1171 lx	984 lx	838 lx	723 lx	630 lx	554 lx	490 lx	437 lx	393 lx	354 lx
13164.2 fcd	3291.1 fcd	1462.7 fcd	822.8 fcd	526.6 fcd	365.7 fcd	268.7 fcd	205.7 fcd	162.5 fcd	131.6 fcd	108.8 fcd	91.4 fcd	77.9 fcd	67.2 fcd	58.5 fcd	51.4 fcd	45.6 fcd	40.6 fcd	36.5 fcd	32.9 fcd