



OVERVIEW

FIXTURE OVERVIEW

Featuring a small footprint but a huge feature set, SolaFrame 750 is a perfect fit for small to medium-sized venues, and its 11,300 lumens can easily cut through the competition. The most compact framing fixture in the Sola Series family of automated tools, SolaFrame 750 is available in Ultra-Brite and High CRI versions and offers the widest array of effects currently available in a fixture of its size.

APPLICATIONS

- Houses of Worship
- Nightclubs and Retail installations
- Small to medium-sized performance venues
- Cruiseships and themed entertainment
- Production rental companies
- Tradeshows
- Studio and Film

PRODUCT FEATURES

- Small footprint, powerful output
- Four full-curtain framing shutters
- 6 ° - 50 ° zoom
- Rotating gobo wheel
- Fully continuous animation wheel
- CMY/CTO- linear color mixing
- Replaceable color wheel
- Iris
- Three-facet prism
- Frost
- Three active cooling modes
- Patented lens defogger

ORDERING INFORMATION

SolaFrame 750

MODEL	DESCRIPTION
2560A1200	SolaFrame 750 fixture, Ultra-Brite, black, with road case
2560A1200-B	SolaFrame 750 fixture, Ultra-Brite, black, with molded rubber insert
2560A1200-F	SolaFrame 750 fixture, Ultra-Brite, black
2560A1201	SolaFrame 750 fixture, High-CRI, black, with road case
2560A1201-B	SolaFrame 750 fixture, High-CRI, black, with molded rubber insert
2560A1201-F	SolaFrame 750 fixture, High-CRI, black

Color Options: Fixtures ship standard in black. White available by request

Notes: Fixture includes two (2) Omega Brackets and one (1) fixture power cord, bare ends to PowerCON TRUE1™ input

Accessories

Model #	Description
67040010	Mini-Claw
67040007	Mega-Claw
55040014	Cheeseborough Two Alloy 1/2 Couple Truss Clamp

PRODUCT SPECIFICATIONS

Source

Engine Options	Ultra-Brite white engine	High CRI white engine
LED wattage	270W	270W
Max Lumens	11,300 Lumens	9,000 Lumens
LPW	41 Lumens per Watt	33 Lumens per Watt
LED Life	50,000 hours	50,000 Hours
Native CCT	7000 K	6000 K

Color

Color Mixing	Cyan, Magenta, Yellow, CTO- Linear
Color Temperature	Vairable down to 2800k
Color Wheel	Seven (7) interchangeable dichroic chips plus open
Notes	See page 5 for color rendering information

Optical

Zoom range	6° - 50°
Gate size	22 mm
Pattern Projection	Rotating and indexable wheel with seven (7) patterns plus open
Prism	Three-facet rotating prism
Frost	Light frost Additional accessories available
Flicker control/Hz range	2.4 kHz or 16 kHz
Animation	Rotating animation wheel
Iris	16 Blade Iris

Control

Input method	DMX (5-pin), or Ethernet
Protocols	DMX via RS-485 Art-Net or sACN via Ethernet
Modes (Footprint)	One (47)
RDM functions	Yes
UI type	Full color graphical UI with 6 button navigational control.
Local control	Yes
Dimming performance	16-Bit, DMX Controlled

NOTES ABOUT LED LUMINAIRES

All LED sources experience some lessening of light output and some color shift over time. LED output will vary with thermal conditions. Thermal conditions can be affected by ambient temperatures and orientation.

Electrical

Voltage range	AC 100V - 240V 50/60 Hz
Input method	powerCON TRUE1
Wattage (Standard/+Defogger)	500 W / 562 W
Current (Max/Standard)	5.6A @ 100V / 2.2A @ 240V
Notes	See page 6 for power factor information

Thermal

Ambient operating temp	0 to 45° C (32 to 113° F)
Fan	Three Modes: Standard, Continuous, Studio
Stationary dBA	33 dBA at 40° C Ambient
Lens Defogging	Patented Lens Defogger included

Physical

Pan and Tilt Range	540° pan, 265° tilt
Max Pan/Tilt Speed	360° in 2.27s / 180° in 1.31s
Materials	Steel and aluminum frame with molded plastic covers
Color options	Black, white by request
Mounting options	Any Orientation
IP rating	IP20
Weight	28.6 Kg (63 Lbs.)
Included accessories	powerCON TRUE1 to bare end fixture tail Two (2) clamp Brackets Safety Cable
Notes	Dimensions on page 6

Warranty

Fixture Warranty	2 Year Fixture Warranty 5 Year LED Warranty
Warranty Details	https://www.highend.com/warranty/

Regulatory & Compliance

Approved Regulatory Standards	Conforms to UL STD.1573 Certified to CSA STD. C22.2 No: 166 CE
-------------------------------	--

Safety

Safety	Minimum distance to illuminated surface = 1.5 m Minimum distance from fixture head to combustible materials = 0.5 m
--------	--










OPTICAL INFORMATION

Rotating Gobo Dimensions

Outside Dimensions	30 mm (1.18 in)
Image Area	21 mm (.83 in)
Materials	0.5 mm Aluminum or 1.1 mm Glass Borofloat

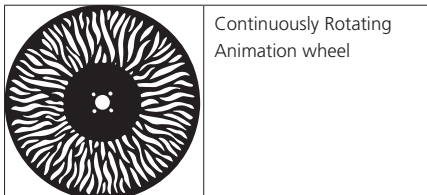
Interchangeable Color Wheel

-  1 - Red
-  2 - Blue
-  3 - Green
-  4 - Yellow
-  5 - Orange
-  6 - Purple
-  7 - Dark Blue

Rotating Gobo Wheel

-  1 - Block Fan
-  2 - Organic
-  3 - Quadrangles
-  4 - Shower
-  5 - Psych
-  6 - StripeStrips
-  7 - Tunnel

Animation Wheel





PHOTOMETRIC INFORMATION

SolaFrame 750 - Ultra Brite

NARROW ZOOM - 7 DEGREES

Throw Distance (d)	16.40ft 5m	32.80ft 10m	49.21ft 15m	65.62ft 20m	82.02ft 25m
Field Diameter	1.74ft 0.53m	3.48ft 1.06m	5.18ft 1.58m	6.92ft 2.11m	8.66ft 2.64m
Illuminance (fc)	2778	695	309	174	112
Illuminance (lux)	29900	7480	3320	1870	1200

WIDE ZOOM - 50 DEGREES

Throw Distance (d)	6.56ft 2m	13.12ft 4m	19.69ft 6m	26.25ft 8m	32.80ft 10m
Field Diameter	6.07ft 1.85m	12.14ft 3.7m	18.21ft 5.55m	24.28ft 7.4m	30.35ft 9.25m
Illuminance (fc)	580	145	64	36	23
Illuminance (lux)	6240	1560	690	390	250

To determine center beam illumination in footcandles at any throw distance, divide candela by the throw distance squared

For field diameter at any distance, multiply distance by 0.491

For beam diameter at any distance, multiply by 0.274

SolaFrame 750 - High CRI

NARROW ZOOM - 7 DEGREES

Throw Distance (d)	16.40ft 5m	32.80ft 10m	49.21ft 15m	65.62ft 20m	82.02ft 25m
Field Diameter	1.74ft 0.53m	3.48ft 1.06m	5.18ft 1.58m	6.92ft 2.11m	8.66ft 2.64m
Illuminance (fc)	1967	492	219	123	79
Illuminance (lux)	21168	5295	2350	1324	850

WIDE ZOOM - 50 DEGREES

Throw Distance (d)	6.56ft 2m	13.12ft 4m	19.69ft 6m	26.25ft 8m	32.80ft 10m
Field Diameter	6.07ft 1.85m	12.14ft 3.7m	18.21ft 5.55m	24.28ft 7.4m	30.35ft 9.25m
Illuminance (fc)	411	103	45	26	16
Illuminance (lux)	4417	1105	489	276	177

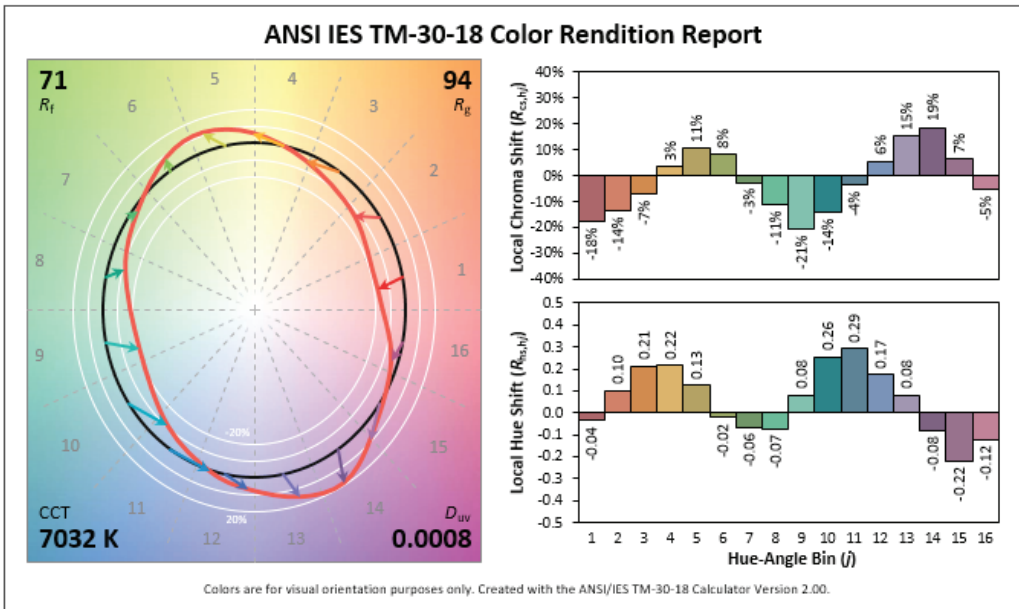
To determine center beam illumination in footcandles at any throw distance, divide candela by the throw distance squared

For field diameter at any distance, multiply distance by 0.491

For beam diameter at any distance, multiply by 0.274

COLOR METRIC INFORMATION

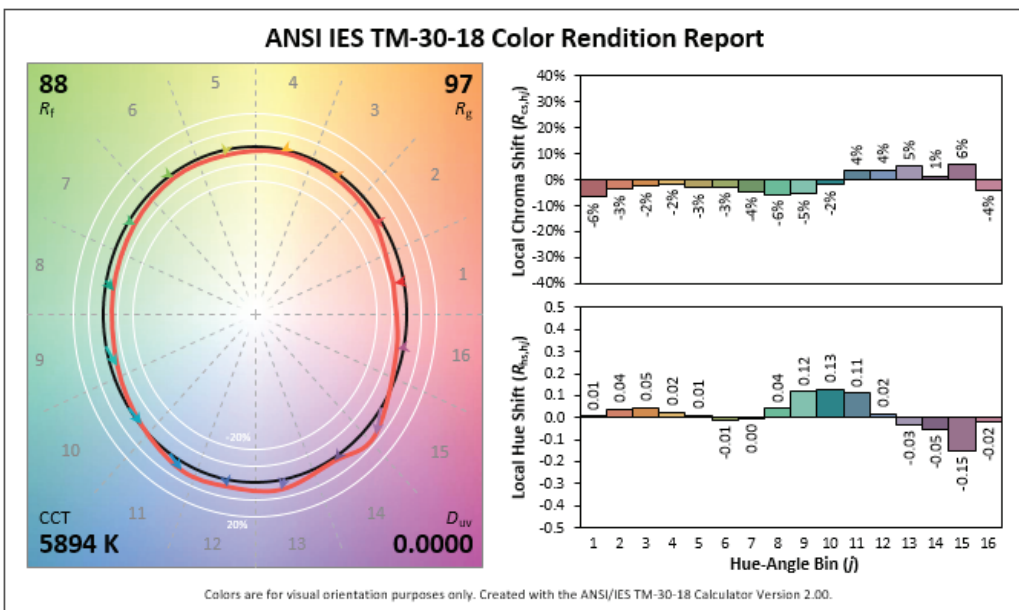
Ultra-Brite Engine



Additional Color Metrics

	SOLAFRAME 50 ULTRA-BRITE ENGINE
CRI R_a (R_g)	72 (-20)
TLCI	48

High CRI Engine



Additional Color Metrics

	SOLAFRAME 750 HIGH CRI ENGINE
CRI R_a (R_g)	91 (61)
TLCI	89

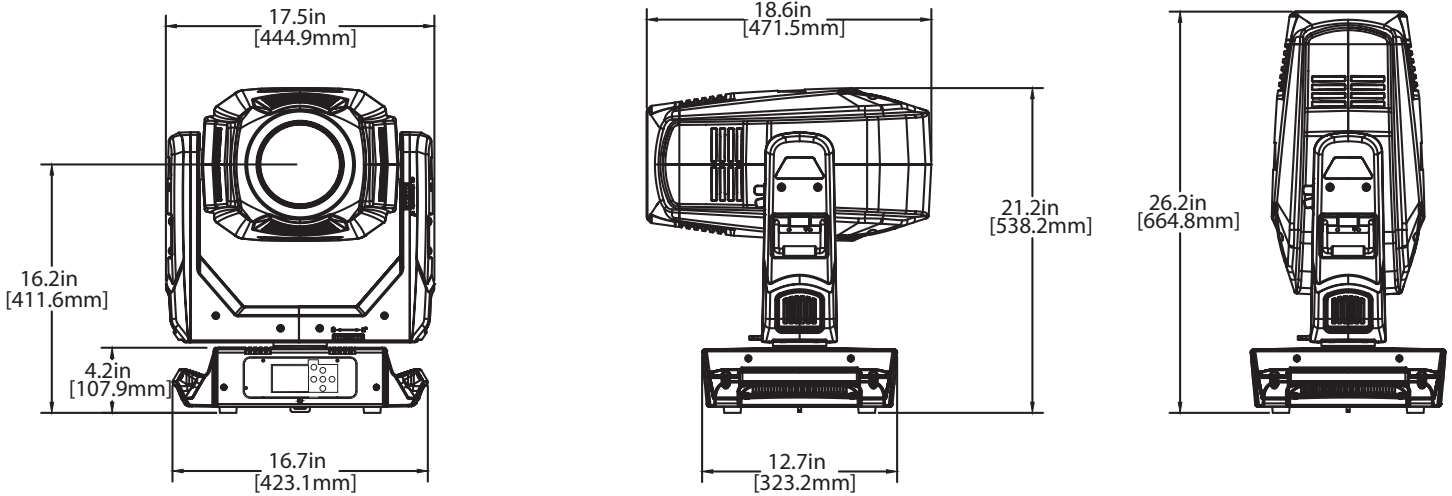


PHYSICAL INFORMATION

SOLAFRAME 750 DIMENSIONS

MODEL	HEIGHT		WIDTH		DEPTH		WEIGHT	
	in	mm	in	mm	in	mm	lb	kg
SolaFrame 750*	26.2	664.8	17.5	444.9	12.7	323.2	63	28.6
SolaFrame 750 in Box	21	533	16	406	32	813	93	42.2
SolaFrame 750 in Roadcase	25	635	24	610	36	915	167	75.8

*Does not include mounting hardware



SOLAFRAME 750 POWER TABLE

VAC	Amps	Hz	Watts	VA	PF	Crest Factor
100	5.62	50	562	0.578	0.99	1.49
120	4.52	60	542	0.558	0.99	1.52
200	2.70	50	540	0.531	0.98	1.54
208	2.56	60	532	0.539	0.98	1.54
220	2.43	50	535	0.536	0.98	1.54
240	2.26	60	543	0.537	0.98	1.51

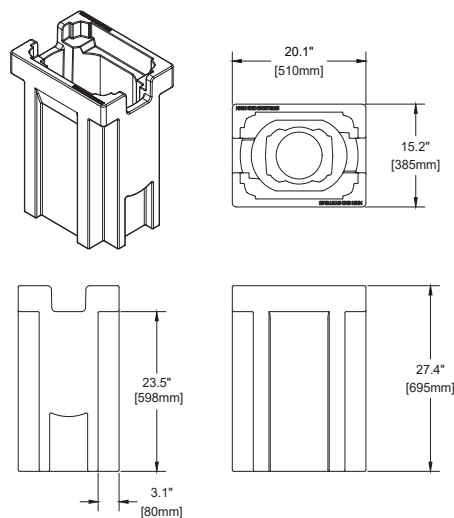


ADDITIONAL ORDERING INFORMATION

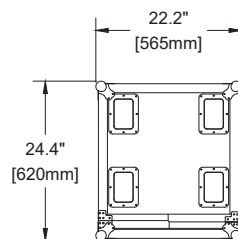
Additional Accessories

MODEL	DESCRIPTION
2560A2030	Optional TM-30 Filter (Not Installed)
2560A2022	Optional Five Facet Prism Accessory (Not Installed)
I10078	Optional Molded Case Insert

Molded Rubber Insert Dimensions



Roadcase Dimensions (Single Mode)



Roadcase Dimensions (Dual Mode)

