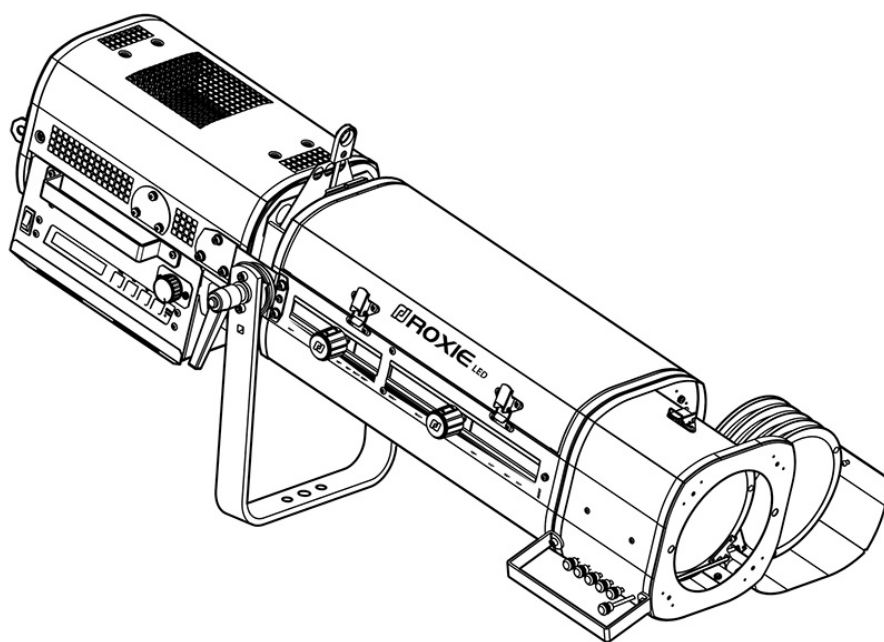


ROXIE

FOLLOWSPOT / PROJECTEUR DE POURSUITE



	Standard Standard	North American Nord-Américain
REF	1166	1166C

300W LED FOLLOWSPOT / PROJECTEUR DE POURSUITE LED 300W

ROXIE - 1166 / C - Version V2

VALIDATION: 31/03/17

DN41087001-A



ROBERT JULIAT

Table of Contents

1	User's instructions	1
2	Presentation	2
2.1	Functions	2
2.2	Identification label	3
2.3	Accessories included	3
2.4	Optional accessories	4
3	Set-up	5
3.1	Mechanics	5
3.1.1	<i>Operating positions</i>	5
3.1.2	<i>Minimum distance between a flammable material and the lighting unit</i>	5
3.1.3	<i>Instructions for use</i>	5
3.1.4	<i>Lifting</i>	5
3.1.5	<i>Stand set-up</i>	6
3.2	Electrical information	6
3.2.1	<i>LED source</i>	6
3.2.2	<i>Power supply</i>	6
3.2.3	<i>Data</i>	8
3.3	Accessories	9
3.3.1	<i>Iris</i>	9
3.3.2	<i>Gobo holder</i>	9
3.3.3	<i>Colour changer unit - push-pull</i>	9
4	Operations	10
4.1	Light intensity	10
4.1.1	<i>Range</i>	10
4.1.2	<i>Control</i>	10
4.1.3	<i>Parameters</i>	10
4.2	Beam size adjustment	12
4.2.1	<i>Range</i>	12
4.2.2	<i>Control</i>	12
4.3	Strobe	12
4.3.1	<i>Range</i>	12
4.3.2	<i>Control</i>	13
4.4	Pan / Tilt	13
4.4.1	<i>Range</i>	13
4.4.2	<i>Control</i>	13
4.5	Iris	14
4.5.1	<i>Range</i>	14
4.5.2	<i>Control</i>	14
4.6	Gobo	14
4.6.1	<i>Range</i>	14
4.7	Colour	14
4.7.1	<i>Range</i>	14
5	DMX Controls	15
5.1	Control board	15
5.1.1	<i>Display and Controls</i>	15
5.1.2	<i>Menus and parameters</i>	15
5.1.3	<i>DMX Chart</i>	15
5.1.4	<i>Reset</i>	16
5.1.5	<i>Feedback information</i>	16
6	Service	16
6.1	Preventive maintenance	16
6.1.1	<i>Frequency</i>	16
6.1.2	<i>General cleaning</i>	16
6.1.3	<i>General visual check</i>	16
6.1.4	<i>LED source</i>	16
6.1.5	<i>Optics</i>	17
6.1.6	<i>Analysis</i>	17
6.1.7	<i>LED reaction according to LED temperature</i>	17
6.1.8	<i>Thermal protection</i>	17
6.1.9	<i>Adjusting the maximum light output level</i>	17
6.1.10	<i>Exploded view / Spare parts list</i>	17
7	Troubleshooting	18
7.1	General information	18

1 User's instructions

GENERAL INSTRUCTIONS

1. Not for residential use.
2. **These fixtures must only be serviced by a qualified technician.**
3. In addition to the instructions indicated on this page, relevant health and safety requirements of the appropriate EU Directives must be adhered to at all times.
4. This fixture is in compliance with section 17 - Lighting appliance for theatre stages, television, cinema and photograph studios. Standards NF EN 60598-1, NF EN 60598-2-17, NF EN 61000-3-2 Classe C and NF EN 61000-3-3 Classe C.
5. This fixture is rated as IP20, and is for indoor use only.

FIXTURE

6. Ensure fixture is correctly mounted on an appropriate support.
7. Protection screens and lenses must be replaced in the event of any damage, such as cracks or deep scratches, since these might reduce performance.
8. When hung or flown the fixture must be secured by an additional hanging accessory (such as a safety cable or bond) of suitable length.
9. Safety bonds or cables must be securely attached to the back of the fixture and be as short as possible, or rolled up as necessary, to minimise travel distance should the fixture be dislodged.
10. Movable accessories (scroller, etc.) must also be secured with a suitable safety cable or bond at the front of the fixture.
11. The combined weight of both the fixture and the accessories must be considered when choosing the load-bearing capability of safety cable or bond.
12. Do not open lighting fixture when the source is on.
13. **WARNING:** LED source become hot during use. Allow fixture to cool before servicing.
14. Do not tamper with design of fixture nor any of its safety features.
15. Tighten electrical mains cable connections regularly and replace with one of identical specification if damaged.
16. Use only with correct power supply.

VENTILATION

17. Keep well away from flammable material.
18. Not for outdoor use. Do not cover. Do not permit fixture to get wet.
19. To avoid overheating, do not obstruct air vents.
20. Ensure any cooling fans are in correct working order. If fans are not working, turn fixture off immediately and service as necessary.

CLEANING

21. Do not touch LED source with fingers.
22. Clean all optical parts with alcohol-based cleaner.
23. Clean all filters regularly.

POWER SUPPLY

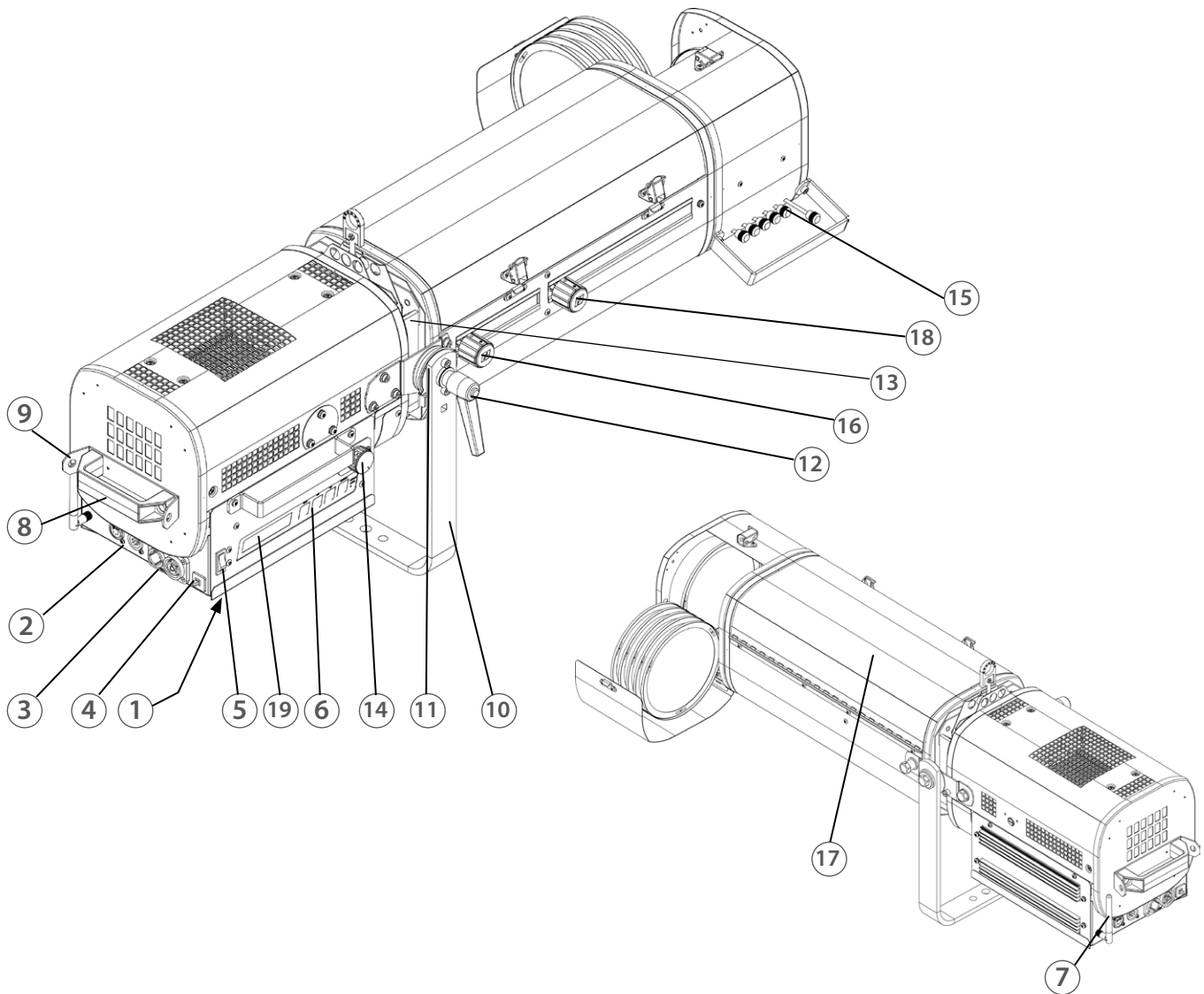
24. Disconnect from the mains before servicing.
25. Mains connection only. Do not connect to "electronic output" such as dimmer.
26. Not for outdoor use. Do not cover.
27. Ensure power supply circuit breakers, always remain accessible.

PLEASE NOTE

These products have been built to conform to European standards relating to professional lighting equipment. Any modification made to our products will void the manufacturers' warranty.

2 Presentation

2.1 Functions



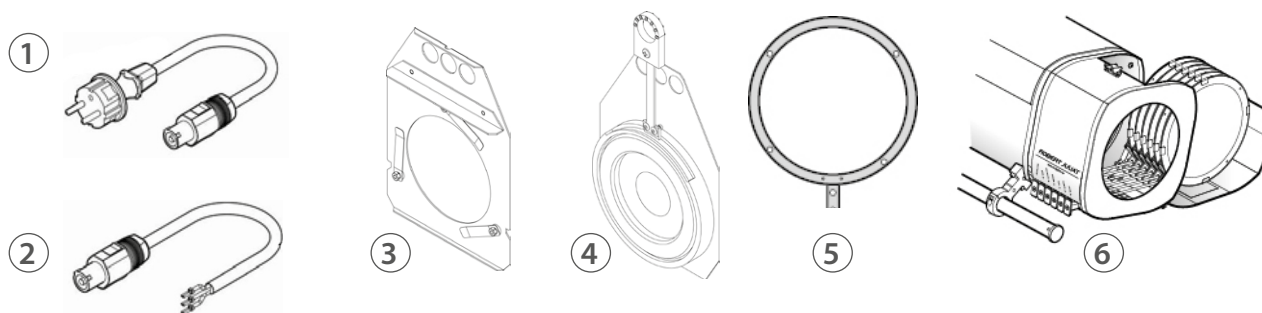
Functions	
<ul style="list-style-type: none">1. Identification plate2. Data connectors (IN and OUT)3. Power connectors (IN and OUT)4. Thermal breaker5. Power switch6. Control board7. Wireless DMX antenna (option)8. Handle9. Safety cable attachment point10. Yoke11. Tilt index	<ul style="list-style-type: none">12. Tilt locking handle13. Gate: slots for gobo holder and/or iris14. Dimmer rotary knob15. Colour changer16. Focus adjustment17. Lens tube access18. Zoom adjustment19. Display screen

2.2 Identification label

Units :
 - Dimensions = metre (m) millimetre (mm).
 - Weight = kilogram (kg).
 - Intensity = Ampere (A).
 - Voltage = Volt (V).
 - Frequency = Hertz (Hz).
 - Temperature = degree Celsius (°C).

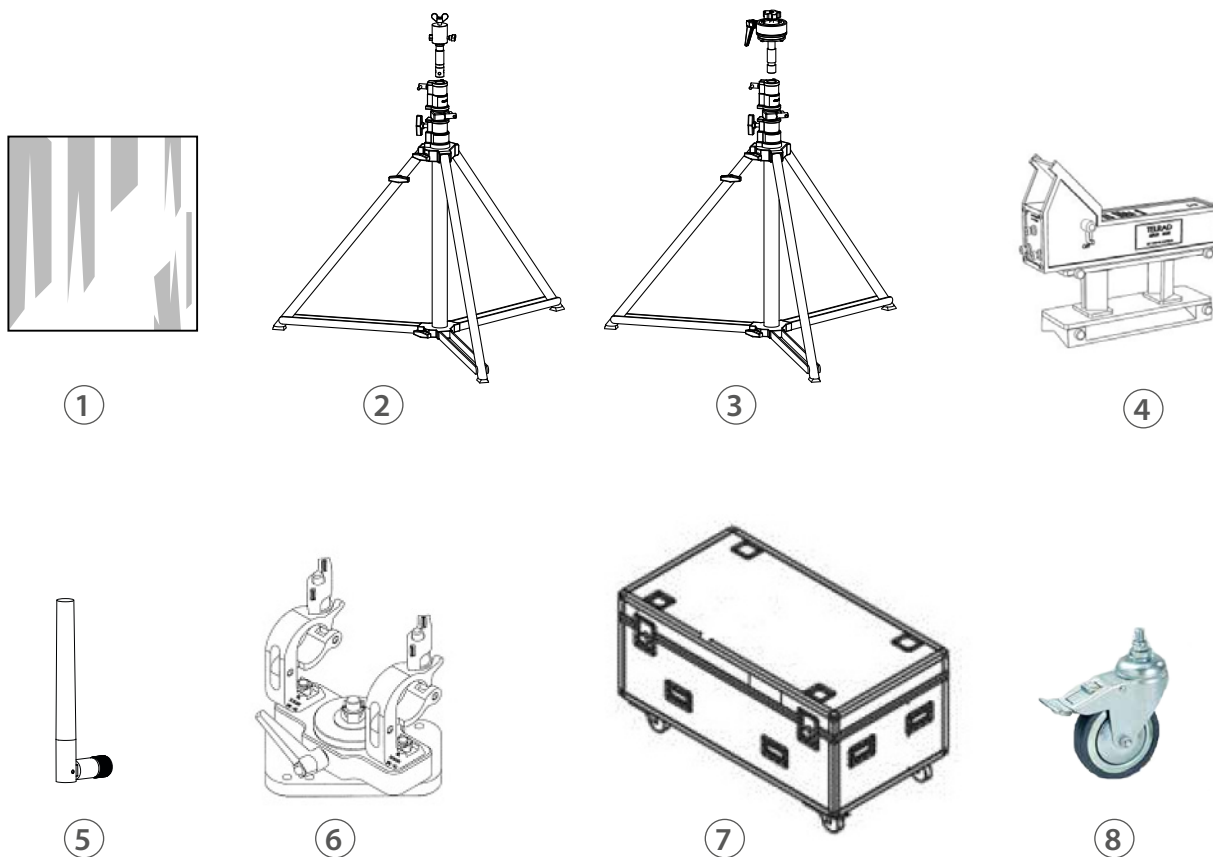
Description	
	<ol style="list-style-type: none"> 1. MOD. : Model 2. VERS. : Version 3. U : Nominal voltage input (V) 4. I : Nominal intensity (A) 5. P : Maximum power input (W) 6. IP : International Protection Rating 7. t°a : Maximum ambient temperature (°C) 8. t°c : Maximum external temperature of the unit (°C) 9. Net weight (kg) 10. Minimum distance between a flammable material and the lighting unit (m) 11. Colour temperature version : CW = Cool White WW = Warm White NDW = Neutral Daylight White 12. Serial number 13. Replace broken glass 14. Class 1 product label 15. Read manual first label 16. European conformity label 17. WEEE directive label

2.3 Accessories included



	Reference	Description
1	CAL03	Power cable with CEE 7/7 type in connectors (standard version)
2	CAL04	UL/CSA power cable without connector (North-American version)
3	SGUX	Universal "A" size gobo holder (metal, glass or frosted glass)
4	IS750	Full closing iris with holder
5	PF1114	Ø165 mm metal filter holder
6	M165TP	6-way "push/pull" colour changer

2.4 Optional accessories



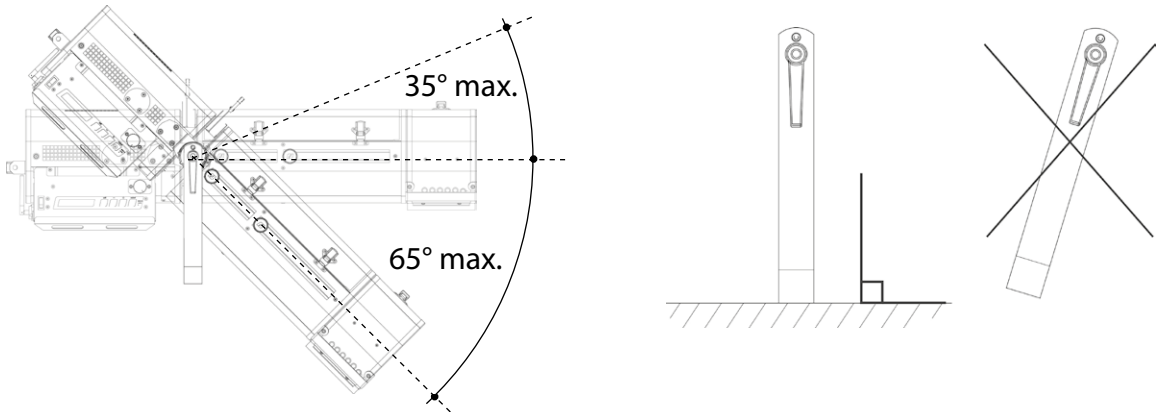
	Reference	Description
1	VD120	120 x 120 mm frosted glass
2	GT800	Tripod stand GT800 - SWL: 40 kg max. height 1550 mm
3	GT1000	Tripod stand GT1000 - SWL: 40 kg max. height 1550 mm
4	Kit TELRAD	Followspot sight with riser
5	W-DMX/ZF2	W-DMX Wireless DMX antenna
6	T4000	Followspot mount for 50 mm diam. pipe (suspension or overhead) - SWL: 100 kg
7	FC1124/S	Transport flight-case for ultra compact range followspots
8	W/GT800	Set of 3 wheels for GT800/1000 stands

3 Set-up

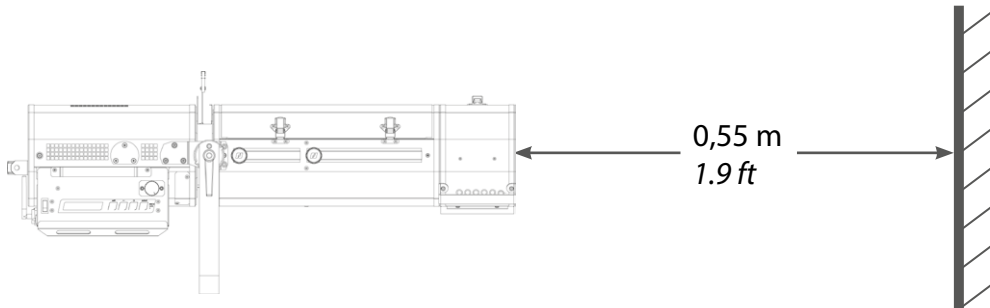


3.1 Mechanics

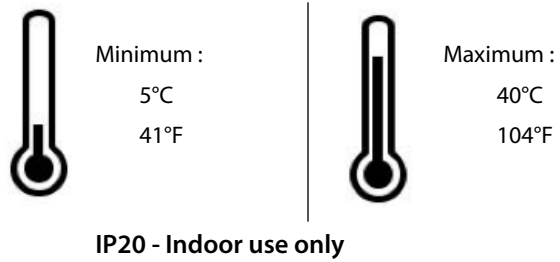
3.1.1 Operating positions



3.1.2 Minimum distance between a flammable material and the lighting unit

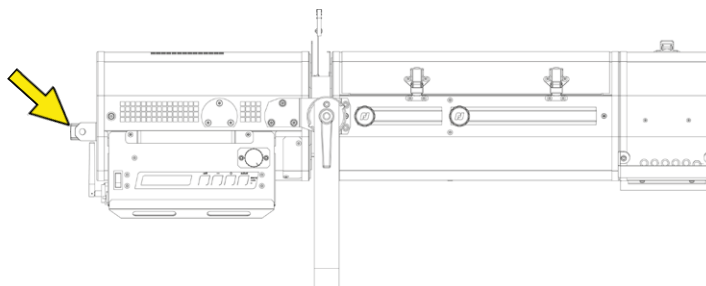


3.1.3 Instructions for use



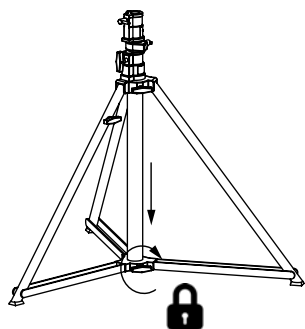
3.1.4 Lifting

- Net weight: 20 Kg (44,1 lbs).

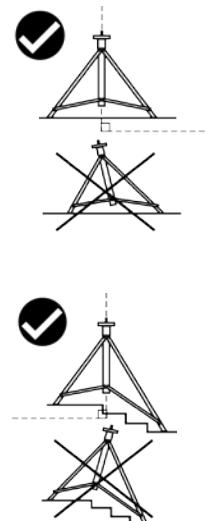
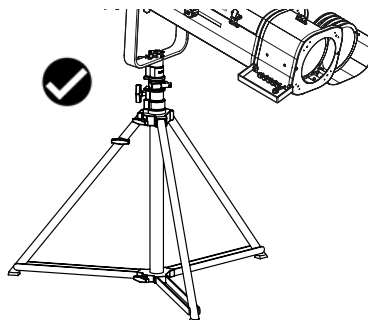


3.1.5 Stand set-up

- Compatible stands : GT800 & GT1000
Please refer to the relevant user manual for further details.



↓ MAX
40kgs/88lbs



3.2 Electrical information



3.2.1 LED source



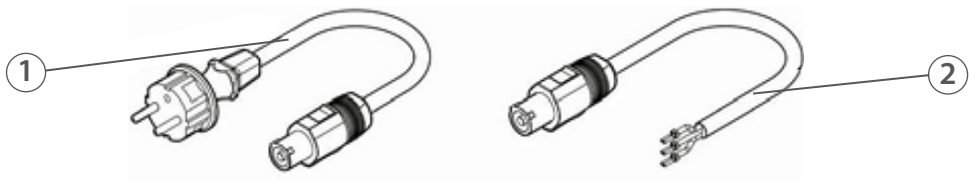
Never touch or scratch the LED surface.

Cf. EN-19, 6.1.4 LED cleaning procedure if cleaning is necessary.

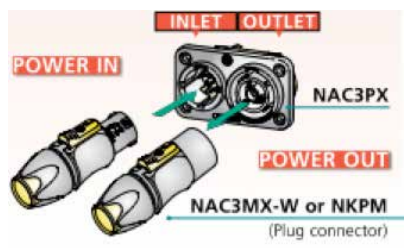
3.2.2 Power supply

Power supply			
Voltage	Frequency	Input power	Connectors
90 → 264 V	47-63 Hz	1,4 A / 350 W @ 230V 2,5 A / 350 W @ 120V 3 A / 350 W @ 100V	Neutrik powerCON TRUE1 Input : ref. NAC3PX (max. 20A)
 <ul style="list-style-type: none"> • Class 1 product. This luminaire must be earthed. • Must be connected directly to AC power. Do not connect to dimmer power. • Automatic power detection • On the same breaker, maximum of: 10 units (230V) / 5 units (110V) 			
<p>Daisy chain:</p>  <p>Maximum : 10 units (230V) & 5 units (110V)</p>			

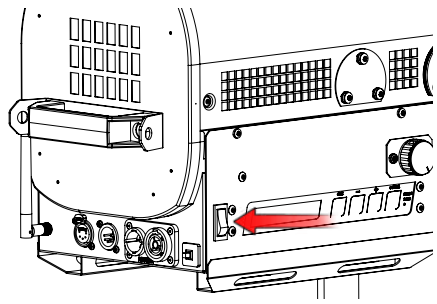
Power cable



Power cable		Connector	Mains plug	Cable type	Cable length	Wiring
1	Standard version	Neutrik® powerCON TRUE1 NAC3FX	CEE7/7	3G1.5 H07RNF	3 m 9.8 ft	Live: Brown Neutral: Blue Ground: Yellow/Green
2	North American version		-	14AWG SJ TYPE (UL/CSA)	1.5 m 4.9 ft	Live: Black Neutral: White Ground: Green



Power on



3.2.3 Data

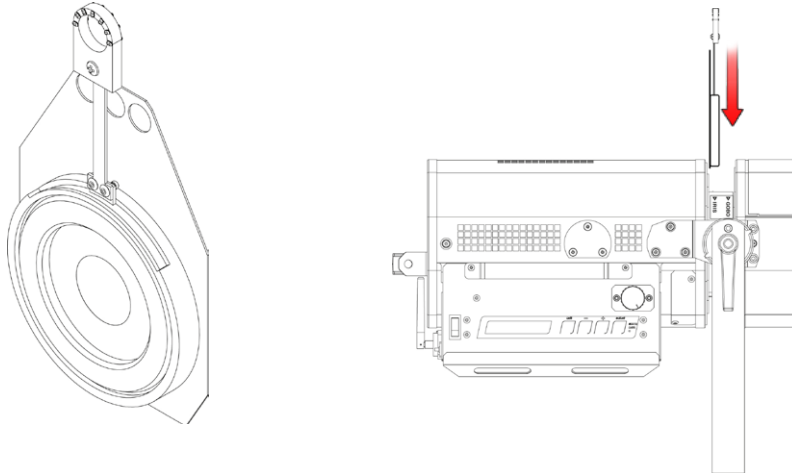
DATA		
Protocol	Input connector	Output connector
USITT DMX 512-A	XLR 5-pin	XLR 5-pin

DATA connectors			
PIN #	DMX	Description	
1	Shielding	Foil & Braided Shield	
2	DMX (-)	1 st conductor of 1 st twisted pair	
3	DMX (+)	2 nd conductor of 1 st twisted pair	
4	Not used	1 st conductor of 2 nd twisted pair	
5	Not used	2 nd conductor of 2 nd twisted pair	

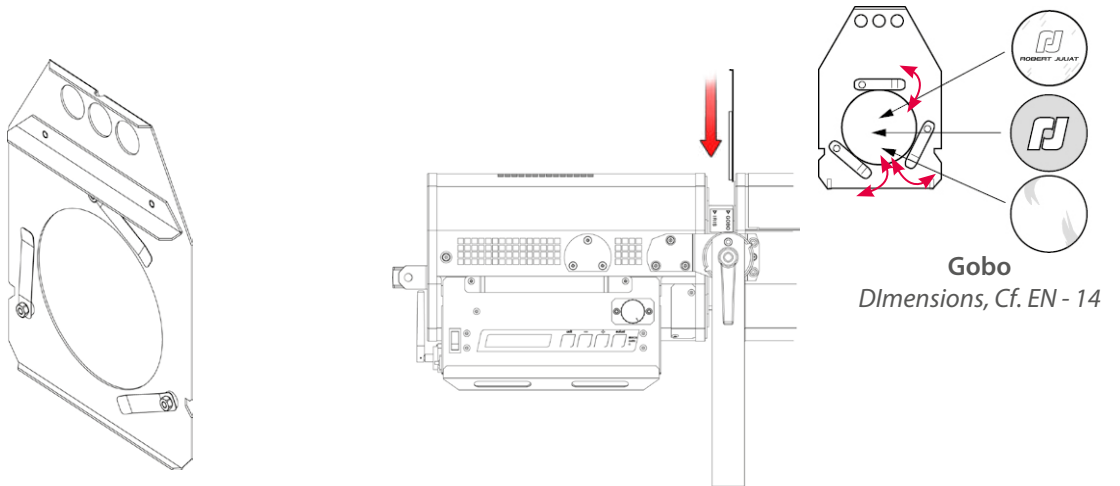
Integrated terminal plug:
 If no XLR connector is detected on DMX OUT connector, a 120Ω terminal plug is automatically activated. Additional terminal plug on the last unit is not necessary.

Wireless DMX option	
<ul style="list-style-type: none"> • Protocol: Wireless Solution W-DMX™ • Refer to the OEM User’s manual for general recommendations and use of the transmitter: http://www.wirelessdmx.com • The antenna must be clearly visible from the transmitter • Refer to RJ-LED Software manual for activation procedure (page EN-15) • Do not connect a DMX IN data cable in case of wireless DMX use 	
<p>DMX mode: The first unit receives the DMX signal via the wireless network, then all the other units are connected on the first one via DMX data cable.</p>	

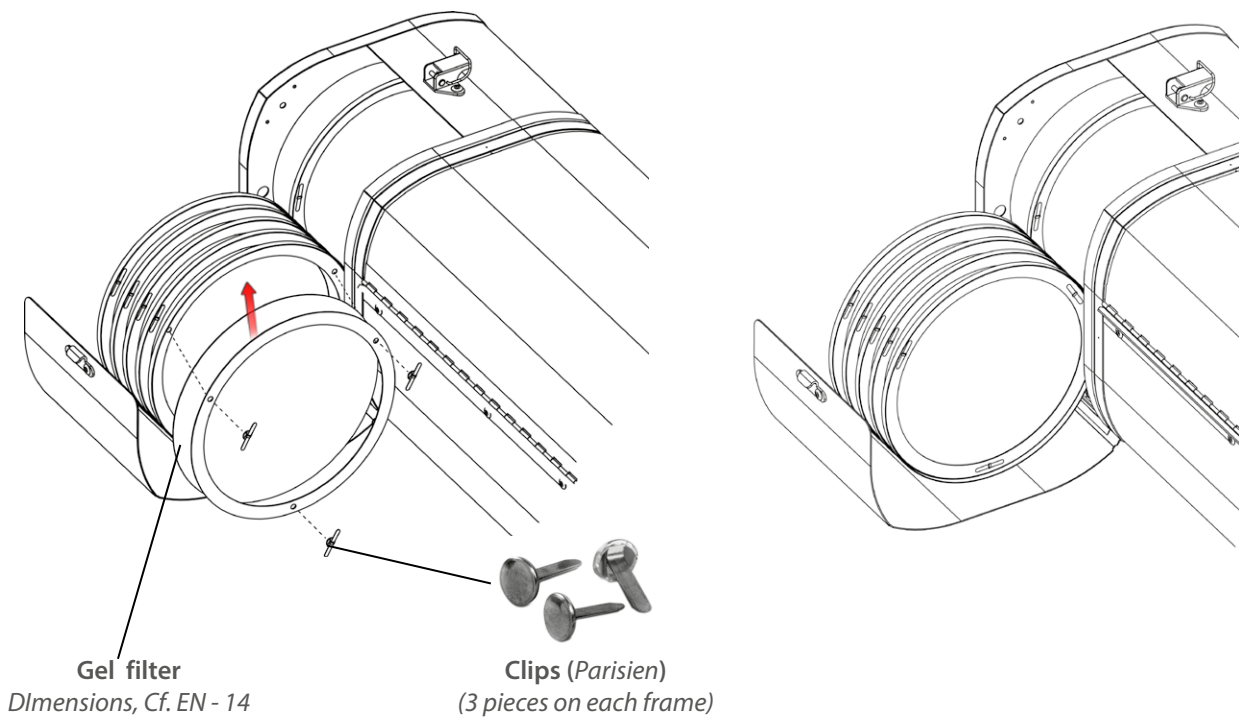
3.3.1 Iris



3.3.2 Gobo holder



3.3.3 Colour changer unit - push-pull



4.1 Light intensity

4.1.1 Range

• Dimming

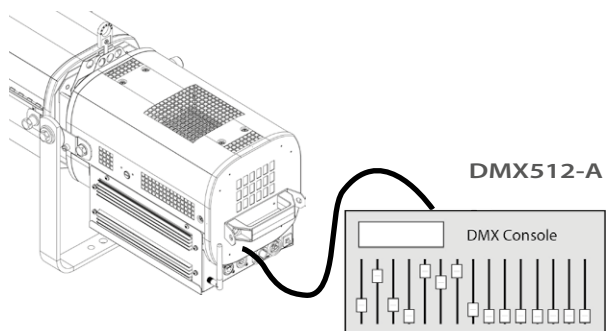
0%



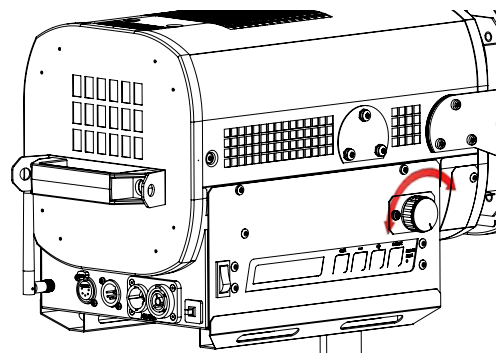
100%

4.1.2 Control

Remotely with DMX512-A protocol



Locally via rotary knob



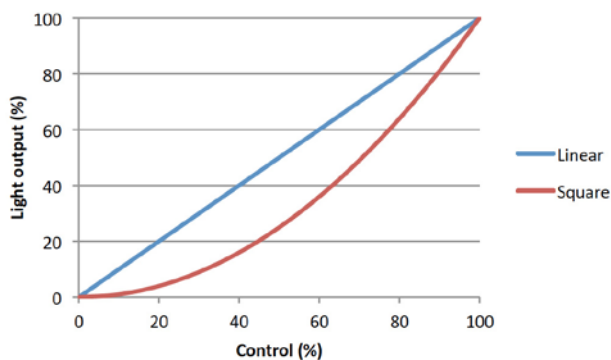
HTP mode (Highest Takes Precedence): Light output is the highest value of DMX512 command or local control
Focus mode: when standby screen displayed, Push Exit → Light output = 100% for 1 minute 2x times Exit → Light output = 0%
Local control → via rotary knob

4.1.3 Parameters

Resolution (MODE):

Mode	Resolution
8 bits	255 steps – 1 DMX channel
16 bits	65 535 steps – 2 DMX channels

Curve (LIGHT CURVE): Linear / Square



Smoothing (SMOOTHING) :

Mode	Smoothing
<i>Slow</i>	Slow transition between 2 levels – equivalent to 1000W filament
<i>Fast</i>	Fast transition between 2 levels – equivalent to 600W filament
<i>Without</i>	Deactivated – Very fast transitions

Master mode (MASTER CONTROL):

In order to supervise the operator from the console, a 3rd DMX channel is used: Master control.

This channel limits the maximum value of the dimmer shutter.

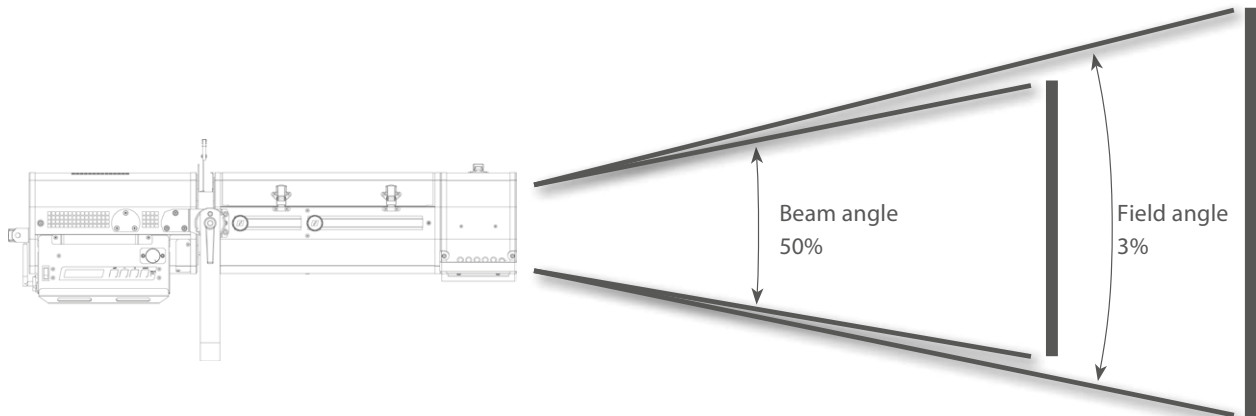
By using this function, it's possible to obtain synchronised fades with several spots or to give intensity limits (minimum and maximum) to the operator . Master is only active when DMX is detected.

DMX		Local	Light Output
8/16 bits	Master		
0 → 100%	100%	0%	0 → 100%
0 → 100%	50%	0%	0 → 50%
0%	100%	0 → 100%	0 → 100%
0%	50%	0 → 100%	0 → 50%
50%	100%	0 → 100%	50 → 100%
30%	80%	0 → 100%	30 → 80%

→ Mode required when simultaneous remote and local control are necessary
(example: followspot)

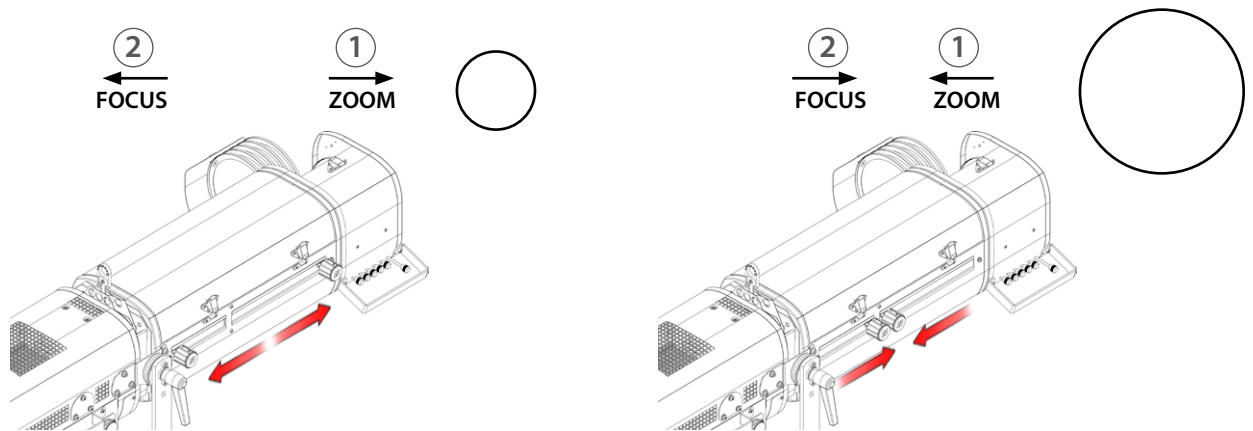
4.2 Beam size adjustment

4.2.1 Range



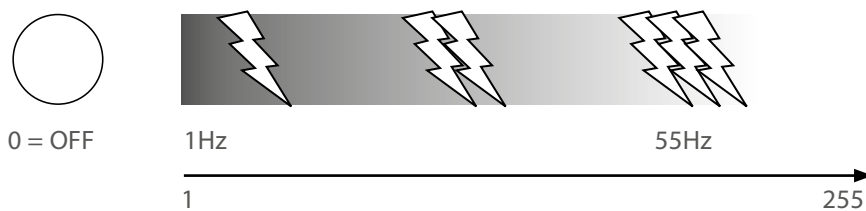
Model	Angles	Minimum angle	Maximum angle
1166	Beam angle	10.6°	15.5°
	Field angle	11°	22.1°

4.2.2 Control



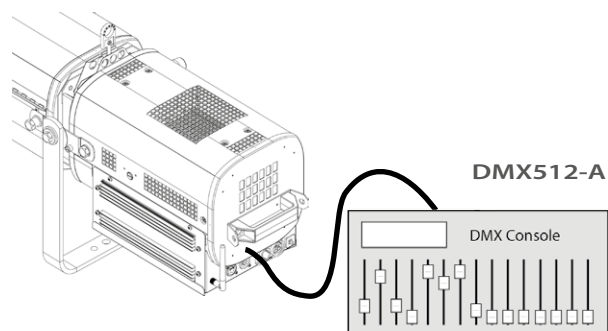
4.3 Strobe

4.3.1 Range



4.3.2 Control

Remotely with DMX512-A protocol

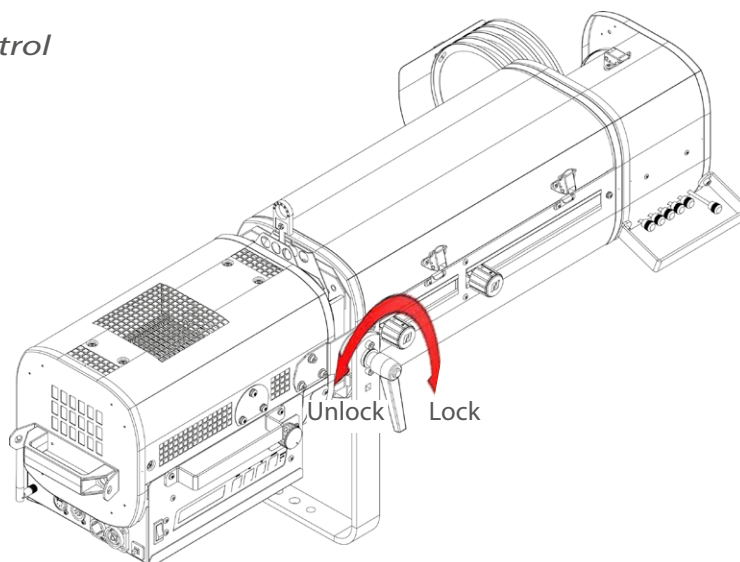


4.4 Pan / Tilt

4.4.1 Range

Function	Range
PAN	0 → 360°
TILT	<p>Tilt up = 0 → 35° Tilt down = 0 → 65°</p>

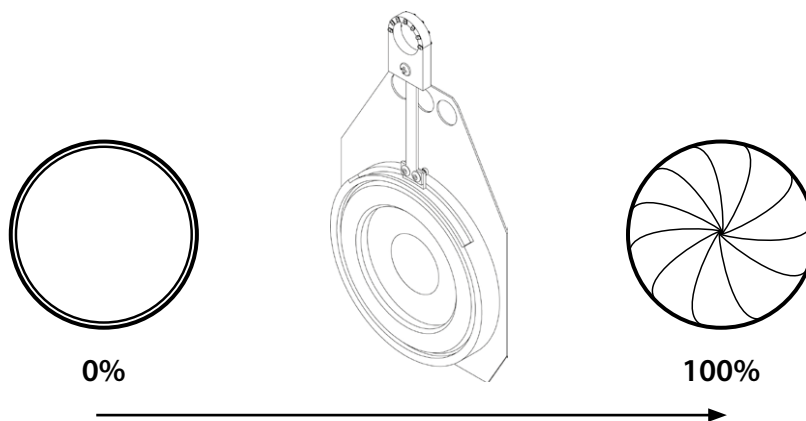
4.4.2 Control



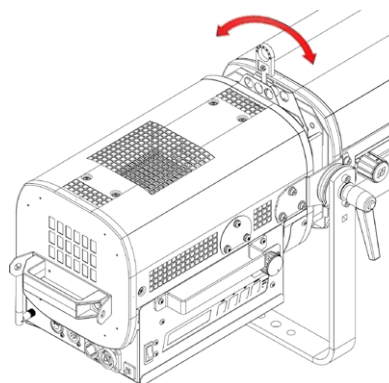
4.5 Iris

4.5.1 Range

- *Irising*

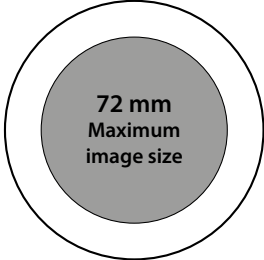


4.5.2 Control



4.6 Gobo

4.6.1 Range

Type	Standard gobo - A size
Dimensions	<p style="text-align: center;">100 mm</p>  <ul style="list-style-type: none"> • Metal • Glass • Frosted glass <p style="text-align: right;"><i>Values are in millimeters (mm)</i></p>
Installation	Cf. section: 3.3.2, page EN - 9

4.7 Colour

- Fixed colour: place dark colours towards the rear end.

4.7.1 Range

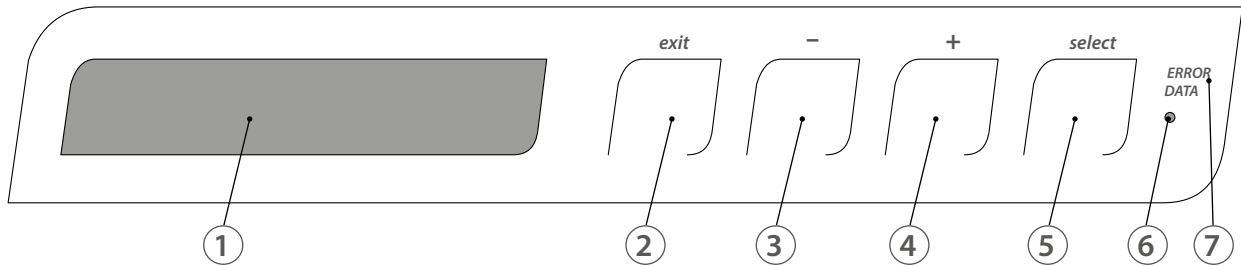
Type	Coloured gel filter
Dimension	<p style="text-align: center;">165 mm</p> 
Installation	Cf. section: 3.3.3, page EN - 9

5 DMX Controls



5.1 Control board

5.1.1 Display and Controls



Function	
1	Display
2	Exit the current menu option and/or go back
3	Scrolls through menus and/or Decrease blinking data value
4	Scrolls through menus and/or Increase blinking data value
5	Enter the current menu option and/or valid
6	Hard CPU reset
7	DMX and system LED feedback

5.1.2 Menus and parameters

Please scan this QR-Code for the software menu or go to : www.robertjuliat.com/productSearch.html to find the latest version.



5.1.3 DMX chart

Mode	Theatre	Studio	Followspot	Direct DMX (variable white)
DMX ch.				
1	Dimmer (8 bit)	Dimmer Coarse (8 bit)	Dimmer Coarse (8 bit)	WW Coarse (8 bit)
2		Dimmer Fine (16 bit)	Dimmer Fine (16 bit)	WW Fine (16 bit)
3		CCT 0 → 255 : WW → CW	CCT 0 → 255 : WW → CW	CW Coarse (8 bit)
4		Strobe 0 : OFF ; 1 → 255 : SLOW → FAST	Strobe 0 : OFF ; 1 → 255 : SLOW → FAST	CW Fine (16 bit)
5			Master 0 → 255 : 0 → 100% (FULL)	Strobe 0 : OFF ; 1 → 255 : SLOW → FAST

5.1.4 Reset

- Reset to default settings:
Menu: *Fixture Reset* → press *Select* → Yes & press *Select* to validate

5.1.5 Feedback information

- DMX and system LED feedback (see *display & controls* (7) Cf. EN-15):
⇒ Green= DMX512 frame detected
⇒ Red = Problem on DMX512 frame and/or system default – details available in the fixture status
- If DMX512 data lost, the following message is displayed:

“Push select to reset DMX values”

The last received DMX values are stored but it is possible to inactivate the current values by pressing the *Select* key (as well as the *Master* function) in order to get a total control of the fixture locally. When a DMX signal is detected, the DMX control is active again.

- ¥ signal indicates a wireless DMX:

Signal	Information
Switched off – no symbol	The fixture is not paired with a transmitter
Slow intermittent display	The fixture is paired with a transmitter but the DMX signal is not detected
Continuous display	The fixture is paired with a transmitter and the DMX signal is detected
Rapid intermittent display	Lost connection with the transmitter or in connection with the transmitter

6 Service

6.1 Preventive maintenance

6.1.1 Frequency

General maintenance should be performed at least once a year or more frequently if the equipment is operated in adverse conditions (smoke, heat, humidity, touring, etc.).

6.1.2 General cleaning

Remove dust from the unit (air vents, printed circuit boards, etc.).

During cleaning:



- LED is protected by a safety glass to avoid any contact.
DO NOT spray directly onto the glass.
- Fan blades must be locked.

6.1.3 General visual check

- No trace of heat.
- No loose contacts.
- No missing parts.
- Tighten mechanical assemblies (screws, bolts and nuts, ground connections, etc.).

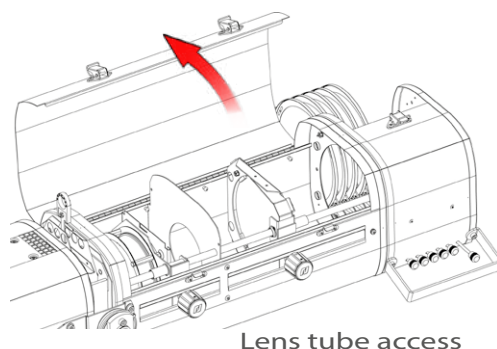
6.1.4 LED source



- Do not touch the surface of the LED source (no contact with your hands or any tools).
- Do not put compressed air directly on the source.
- Contact a certified RJ distributor in case of residuals or other objects located on the surface of the LED source.

6.1.5 Optics

The cleaning of optical parts (lenses) shall be carried out with solutions containing alcohol.



6.1.6 Analysis

If there is still a problem after the troubleshooting procedures (Cf. section 7), contact RJ distributor with the following information:

- Model, version and serial number of the product.
- Software version (available in menu Fixture Status → Version)
- Description of the problem.

6.1.7 LED reaction according to LED temperature

LED temperature	Fan
5°C → 65°C	Fan rotation at minimum level
65°C → 75°C	Fan rotation increases progressively
75°C → 90°C	Fan at maximum speed LED intensity dims to zero output (overheating protection) DMX and system LED feedback (7) is red

LED intensity dims to zero output (overheating protection).
DMX and system LED feedback (7) is red and temperature is available in Fixture Status menu.

6.1.8 Thermal protection

In case of thermal protection start :

- Remove the LED compartment (Cf. 6.1.4).
- Control possible overheating indications.
- Reassemble the LED compartment.
- Reset the thermal protection by pressing the button.

6.1.9 Adjusting the maximum light output level

The maximum intensity level of the LED source can be adjusted through the fixture setup in order to have a consistent fixture fleet. The dimming level is then recalculated depending on the limitation.

6.1.10 Exploded view / Spare parts list

➔ Available on www.robertyuliat.com

➔ Or on request through the Robert Juliat Service department info@robertyuliat.fr

7 Troubleshooting

7.1 General information

SYMPTOMS		POSSIBLE REASONS	SOLUTIONS	
Display OFF	Display switches on when button is pressed	Display auto off mode activated	Check the AUTO-OFF display in the <i>Fixture Setup</i>	
	Display still off when button is pressed	No power	Check : <ul style="list-style-type: none"> • power • thermal protection • the power supply connector must be properly interlocked 	
System and data display ⑦ switched on in red (see page EN-15)		Problem with the DMX512 received signal and/or system default	Failure details are available in <i>Fixture Setup</i>	
The unit cannot be controlled via DMX (inactivated wireless DMX)	Data display ⑦ switched on in red	DMX protocol problem	Check data signal	The received data protocol can be checked in the <i>DMX Setup</i>
		Data cabling problem	Check cabling and data connectors	
	Data display ⑦ switched on in green	DMX address	Check the DMX address	
		The strobe is active and the channel value is void	The value must be at 0 in order to have the light intensity dimmed	
When using several units, dimming are not synchronized		Different <i>Resolution</i>	All the units must have the same mode	
		Different <i>Smoothing</i>		
		Different <i>Dimming curve</i>		
Light switches on when powered on		Manual value is operating when DMX is not connected	Local values must be at zero	
Light switches on when using the control board		Use of the Focus mode	Section 4.1.2	
Strobe function doesn't work		Strobe function inactive	Check that the selected mode allows the strobe function	
		Strobe function active	Control channel must be higher than 0	

Table des matières

1	Instructions d'utilisation	1
2	Présentation	2
2.1	Fonctions	2
2.2	Plaque d'identification	3
2.3	Accessoires inclus	3
2.4	Accessoires optionnels	4
3	Installation	5
3.1	Mécanique	5
3.1.1	Positions d'utilisation	5
3.1.2	Distance minimale entre l'appareil et une matière inflammable	5
3.1.3	Conditions d'utilisation	5
3.1.4	Levage	5
3.1.5	Mise sur pied	6
3.2	Electrique	6
3.2.1	Source LED	6
3.2.2	Alimentation	6
3.3	Accessoires	9
3.3.1	Iris	9
3.3.2	Support gobo	9
3.3.3	Changeur de couleurs à tirettes	9
4	Opération	10
4.1	Intensité lumineuse	10
4.1.1	Etendue	10
4.1.2	Contrôle	10
4.1.3	Paramètres	10
4.2	Ajustement de la taille du faisceau	12
4.2.1	Etendue	12
4.2.2	Contrôle	12
4.3	Stroboscope	12
4.3.1	Etendue	12
4.3.2	Contrôle	13
4.4	Orientation	13
4.4.1	Etendue	13
4.4.2	Contrôle	13
4.5	Iris	14
4.5.1	Etendue	14
4.5.2	Contrôle	14
4.6	Gobo	14
4.6.1	Etendue	14
4.7	Couleur	14
4.7.1	Etendue	14
5	Commande DMX	15
5.1	Panneau de contrôle	15
5.1.1	Afficheur et touches	15
5.1.2	Menus et paramètres	15
5.1.3	Tableau DMX	15
5.1.4	Reset	16
5.1.5	Retour d'information	16
6	Maintenance	16
6.1	Maintenance préventive	16
6.1.1	Fréquence	16
6.1.2	Nettoyage général	16
6.1.3	Vérification visuelle générale	16
6.1.4	Source LED	16
6.1.5	Optique	17
6.1.6	Analyse	17
6.1.7	Réaction de la source LED suivant sa température	17
6.1.8	Protection thermique	17
6.1.9	Réglage du niveau maximal de sortie	17
6.1.10	Nomenclature / Pièces détachées	17
7	Dépannage	18
7.1	Informations générales	18

1 Instructions d'utilisation

CONSIGNES GÉNÉRALES

1. Impropre à l'usage domestique.
2. **Matériel professionnel : intervention par technicien qualifié uniquement.**
3. Outre les consignes d'utilisation figurant dans la présente notice, vous devez respecter les prescriptions générales de sécurité et de prévention des accidents édictées par le législateur.
4. L'appareil auquel est attachée cette notice rentre dans la section 17 - Luminaires pour éclairage de scènes de théâtre, des studios de télévision, de cinéma et de photographie des normes NF EN 60598-1, NF EN 60598-2-17, NF EN 61000-3-2 Classe C et NF EN 61000-3-3 Classe C.
5. Ces appareils sont considérés IP20 et réservés à une utilisation intérieure.

PROJECTEUR

6. Veiller à ce que le projecteur soit monté avec un support approprié.
7. Les écrans de protection ou les lentilles doivent être remplacés s'ils sont visiblement endommagés au point que leur efficacité en soit diminuée, par exemple par des fêlures ou des rayures profondes.
8. En position suspendue (crochet, boulon...), l'appareil doit obligatoirement être assuré par une suspension auxiliaire (élingue, chaîne...) convenablement dimensionnée et ancrée à l'arrière de l'appareil.
9. La liaison devra être effectuée au plus court, au besoin avec plusieurs tours si la longueur de l'élingue ou de la chaîne le nécessite.
10. Les accessoires amovibles (changeur de couleurs...) doivent également être assurés par une élingue de taille appropriée, ancrée à l'avant de l'appareil.
11. Tenir compte de leur poids pour la charge d'accrochage.
12. Ne pas ouvrir l'appareil sous tension.
13. Source LED et supports chauds. Attendre que l'appareil soit froid avant toute intervention.
14. Ne pas modifier la sécurité.
15. Resserrer régulièrement les connexions et contrôler l'état des câbles. Si le câble est détérioré, le remplacer par un câble identique.
16. Utiliser l'appareillage d'alimentation approprié.

VENTILATION

17. Ne pas placer le projecteur à proximité de matière inflammable.
18. Ne pas utiliser à l'extérieur. Ne pas couvrir.
19. Pour éviter toute surchauffe de l'appareil, ne jamais boucher les passages d'air.
20. Si l'appareil comporte un ou plusieurs ventilateurs, vérifier qu'ils fonctionnent bien. Si un dysfonctionnement apparaît à ce niveau, éteindre immédiatement le projecteur et effectuer les contrôles nécessaires.

NETTOYAGE

21. Ne pas toucher la source LED.
22. Nettoyer les lentilles avec de l'alcool.
23. Dépoussiérer régulièrement les filtres.

ALIMENTATION

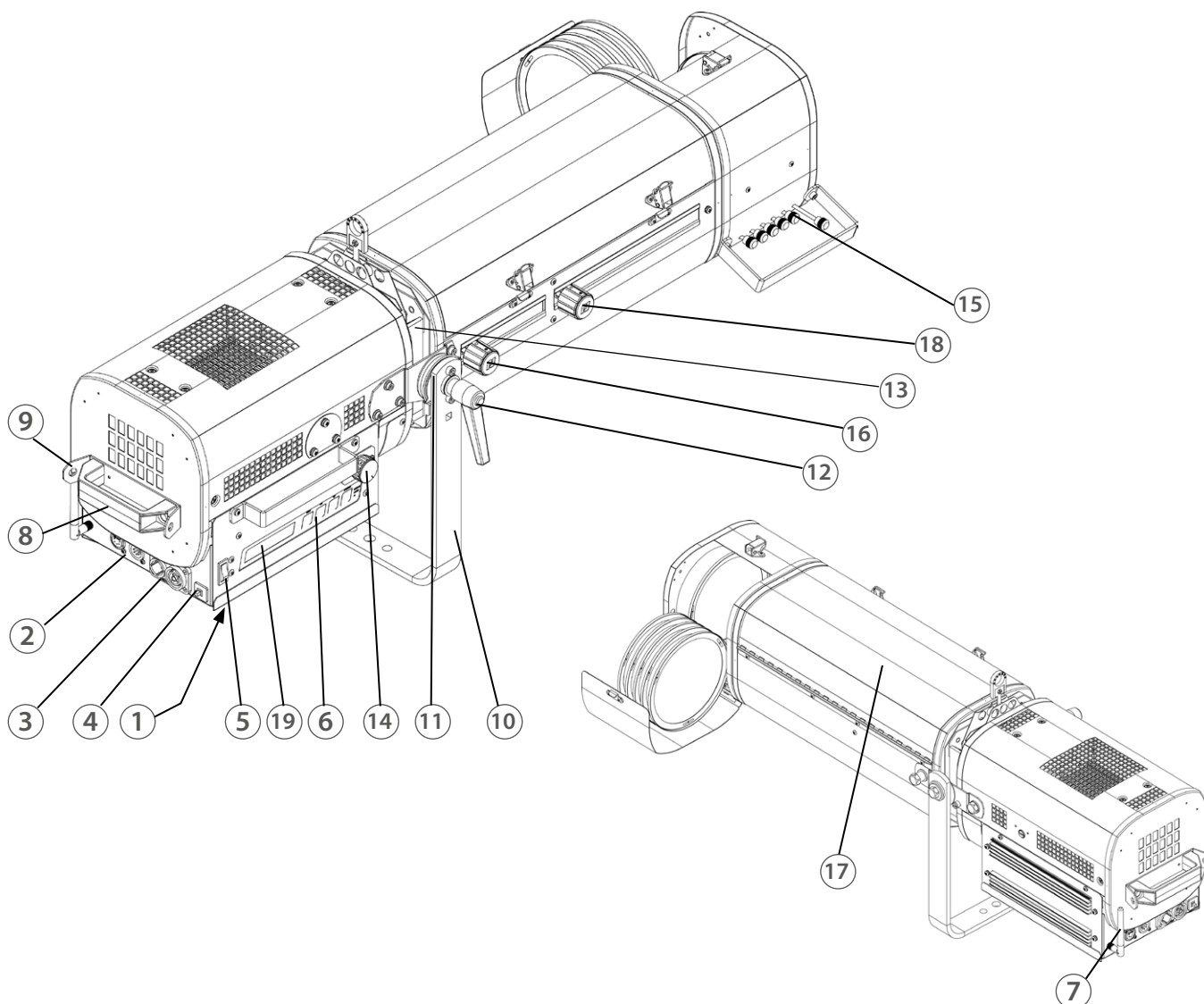
24. Isoler électriquement avant toute intervention.
25. Raccordement direct secteur. Ne pas raccorder sur une sortie "électronique" (gradateur, relais statique...)
26. Ne pas utiliser à l'extérieur, ne pas couvrir.
27. Contrôler la tension secteur.

REMARQUE

Appareils réalisés en conformité avec les directives européennes de normalisation appliquées au matériel d'éclairage professionnel. Toute modification du produit dégage la responsabilité du constructeur.

2 Présentation

2.1 Fonctions



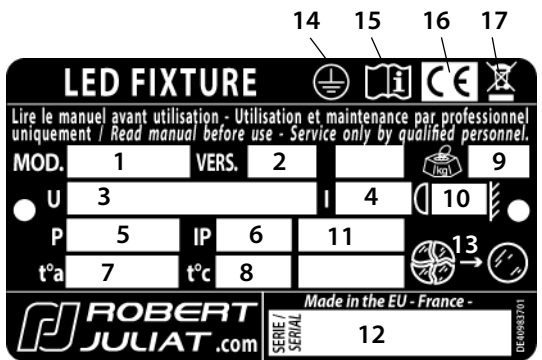
Fonctions

- | | |
|--|---|
| 1. Plaque d'identification | 12. Poignée verrouillage de la fourche |
| 2. Connecteurs DATA (entrée et sortie) | 13. Fenêtre : glissières pour support gobo et/ou iris |
| 3. Connecteurs d'alimentation (entrée et sortie) | 14. Bouton d'obturateur (dimmer) |
| 4. Thermal breaker | 15. Changeur de couleurs |
| 5. Interrupteur mise sous tension | 16. Réglage focus |
| 6. Boutons de paramétrage | 17. Accès zoom |
| 7. Antenne DMX sans fil (option) | 18. Réglage zoom |
| 8. Poignée | 19. Écran de contrôle |
| 9. Points d'élingage | |
| 10. Fourche | |
| 11. Index de tilt | |

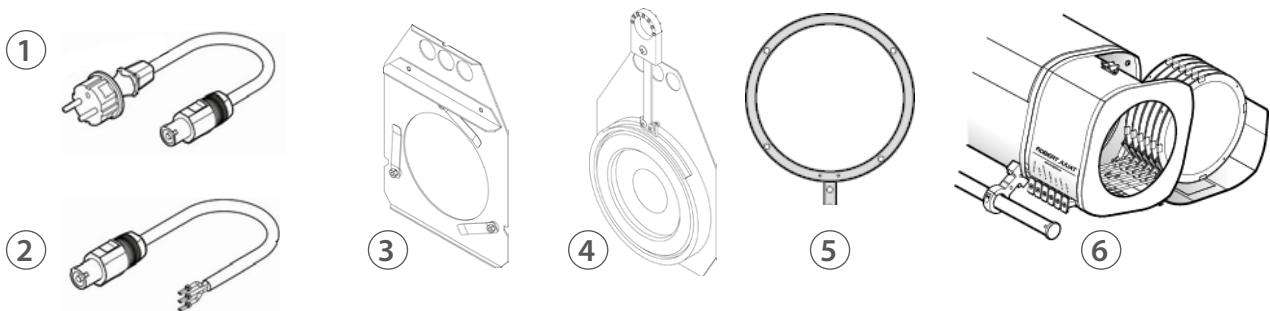
2.2 Plaque d'identification

Unités utilisées :

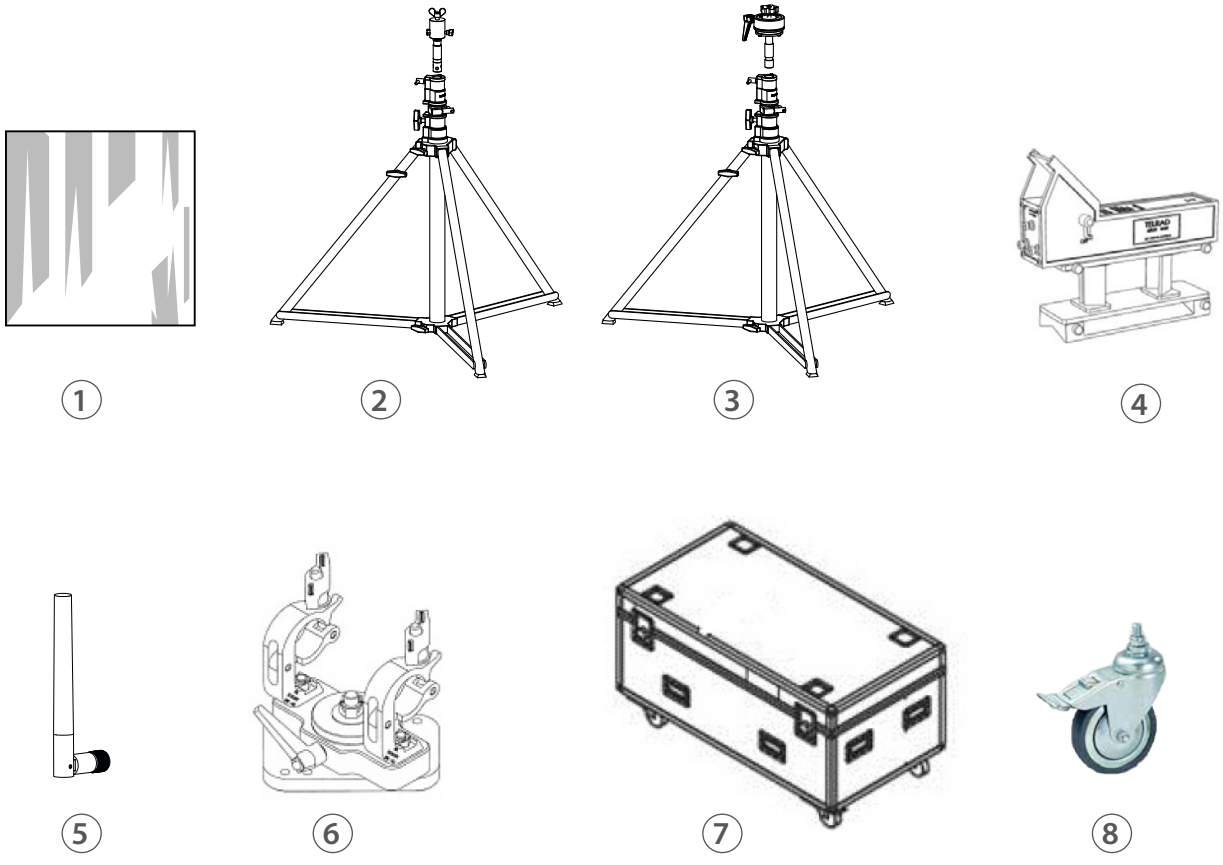
- Dimensions	= mètre (m) millimètre (mm).
- Poids	= kilogramme (kg).
- Intensité	= Ampère (A)
- Tension	= Volt (V).
- Fréquence	= Hertz (Hz).
- Température	= degré Celsius (°C)

Description	
 <p>14 15 16 17</p> <p>LED FIXTURE</p> <p>Lire le manuel avant utilisation - Utilisation et maintenance par professionnel uniquement / Read manual before use - Service only by qualified personnel.</p> <p>MOD. 1 VERS. 2</p> <p>U 3 I 4</p> <p>P 5 IP 6 11</p> <p>t°a 7 t°c 8</p> <p>ROBERT JULIAT.com</p> <p>MADE IN THE EU - FRANCE -</p> <p>SERIE SERIAL 12</p>	<ol style="list-style-type: none"> MOD. : modèle de l'appareil VERS. : Version de l'appareil U : Tension nominale (V) I : Intensité nominale (A) P : Puissance maximum (W) IP : Indice de protection international t°a : Température maximale ambiante (°C) t°c : Température maximale extérieure de la carrosserie(°C) Net weight (kg) Distance minimale d'une matière inflammable par rapport à l'appareil (m) Version température de l'appareil : CW = Blanc Froid WW = Blanc Chaud NWD = Blanc neutre lumière Numéro de série Replace broken glass Produit de classe 1 Lire le manuel Conformité européenne Marquage directive DEEE

2.3 Accessoires inclus



	Référence	Description
1	CAL03	Cordon d'alimentation avec fiche CEE 7/7 (version standard)
2	CAL04	Cordon d'alimentation UL/CSA sans fiche (version nord-américaine)
3	SGUX	Porte-gobo universel taille "A" (métal, verre ou dépoli)
4	IS750	Support iris complet
5	PF1114	Porte-filtre métal diam. 165 mm
6	M165TP	Changeur de couleurs à tirette



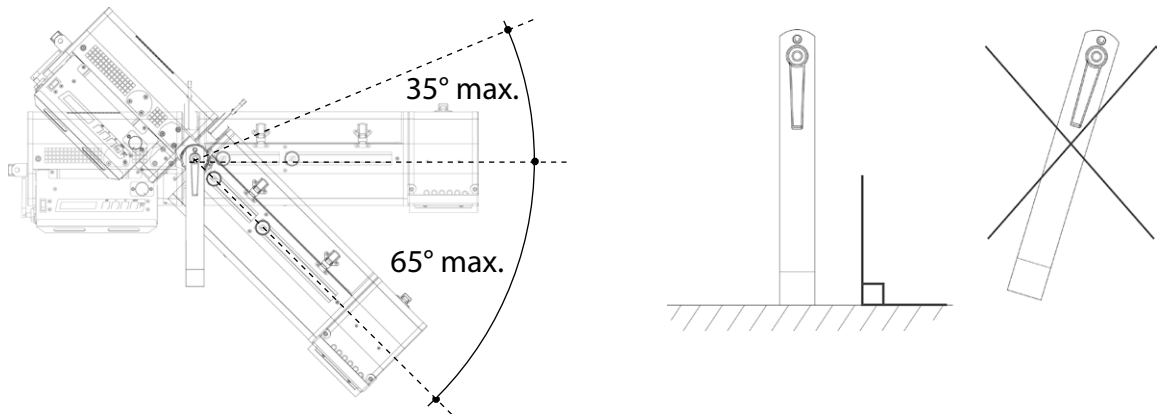
	Référence	Description
1	VD120	120 x 120 mm verre dépli
2	GT800	Trépied GT800 - CMU: 40 kg hauteur max. : 1550 mm
3	GT1000	Trépied GT1000 - CMU: 40 kg hauteur max. : 1550 mm
4	Kit TELRAD	Viseur de poursuite TELRAD avec extension
5	W-DMX/ZF2	Antenne W-DMX sans-fils DMX
6	T4000	Support poursuite pour structure Ø 50 mm (suspension ou appui) – CMU = 100 Kg
7	FC1124/S	Flight-case pour poursuites ultra compact
8	W/GT800	Ensemble 3 roulettes pour pieds GT800/1000

3 Installation

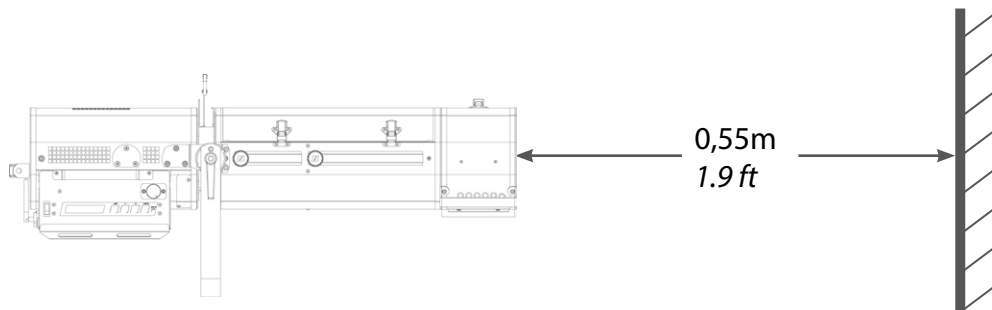


3.1 Mécanique

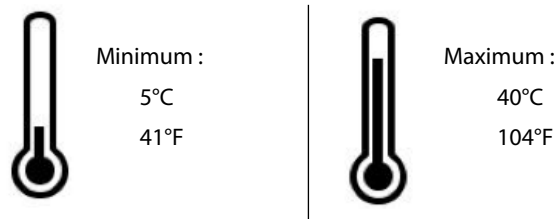
3.1.1 Positions d'utilisation



3.1.2 Distance minimale entre l'appareil et une matière inflammable



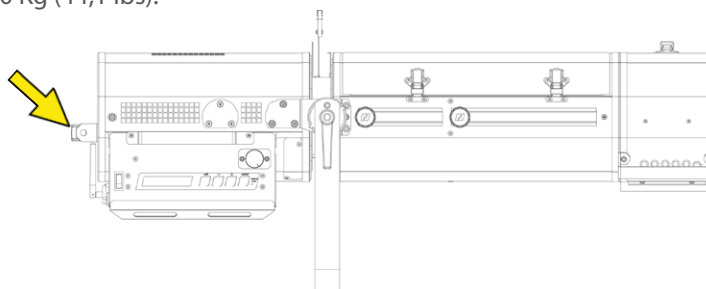
3.1.3 Conditions d'utilisation



Indice de Protection international:
IP20 – Utilisation intérieure uniquement

3.1.4 Levage

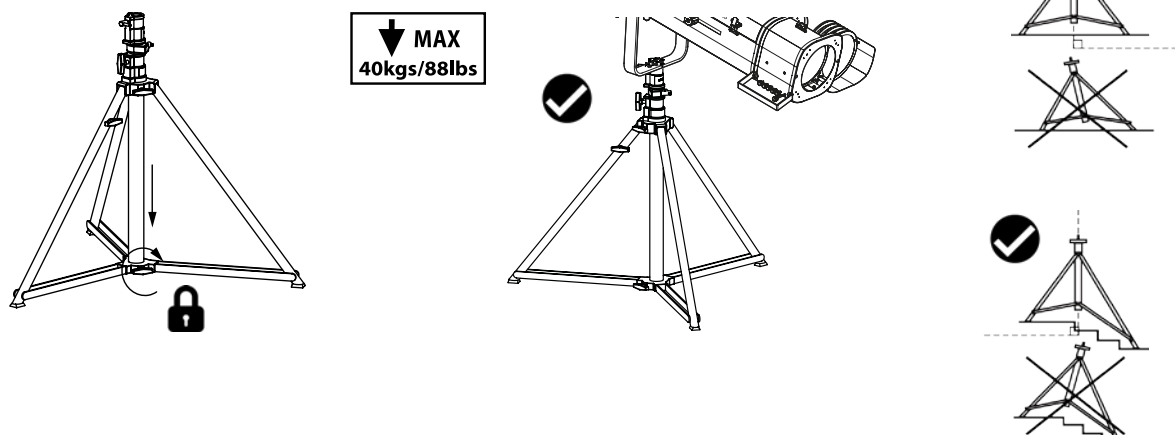
• Poids net: 20 Kg (44,1 lbs).



3.1.5 Mise sur pied

- Pieds compatibles : GT800 & GT1000.

Veillez vous reporter au manuel pieds pour plus d'information.



3.2 Electrique


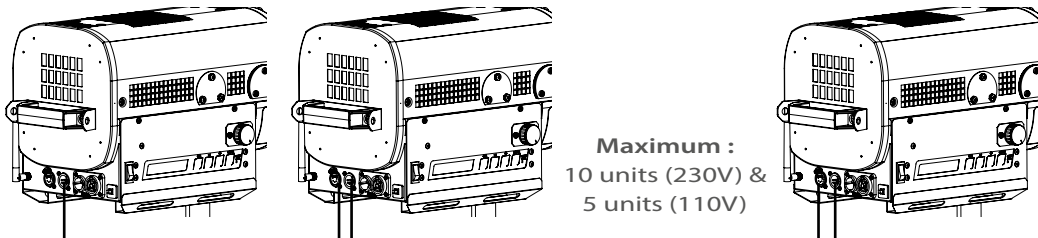
3.2.1 Source LED



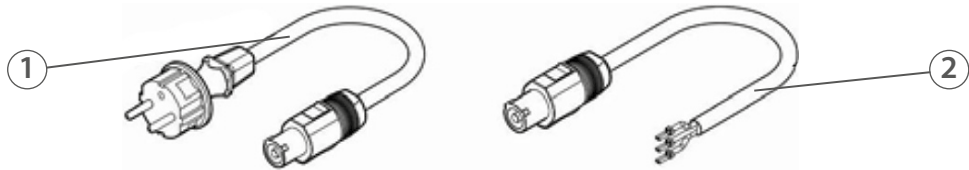
Ne jamais toucher la surface de la source LED.

Cf. FR-19, 6.1.4 Procédure de nettoyage de la source LED si nécessaire.

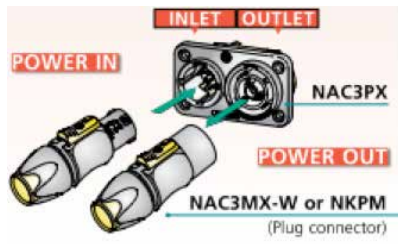
3.2.2 Alimentation

Puissance			
Tension	Fréquence	Puissance d'entrée	Connecteurs
90 ---->264 V	47-63 Hz	1,4 A / 350 W @ 230V 2,5 A / 350 W @ 120V 3 A / 350 W @ 100V	Neutrik powerCON TRUE1 Entrée : réf. NAC3PX (max. 20A)
 <ul style="list-style-type: none"> • Matériel de classe 1. Mise à la terre obligatoire. • Doit être raccordé à une alimentation AC. Ne pas raccorder à une source graduable. • Reconnaissance automatique de tension. • Sur le même disjoncteur, maximum: 10 unités (230V) / 5 unités (110V) 			
Branchement en série :  <p>Maximum : 10 units (230V) & 5 units (110V)</p>			

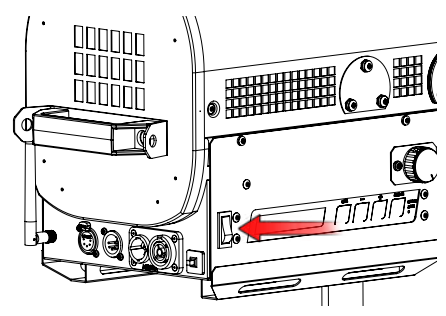
Cordon d'alimentation



Cordon		Connecteur projecteur	Fiche d'alimentation	Câble	Longueur	Câblage
1	Version standard	Neutrik® powerCON TRUE1 NAC3FX	CEE7/7	FJUC000112	3 m 9.8 ft	Phase: marron Neutre: bleu Terre: jaune/vert
2	Version nord-américaine		-	FJUC000113	1.5 m 4.9 ft	Phase: noir Neutre: blanc Terre : vert



Mise sous tension



3.2.3 Data

DATA		
Protocole	Connecteur d'entrée	Connecteur de sortie
USITT DMX 512-A	XLR 5-pin	XLR 5-pin

DATA connecteurs			
PIN #	DMX	Description	
1	Masse	Tresse métallique	
2	DMX (-)	1er conducteur de la paire torsadée 1	
3	DMX (+)	2e conducteur de la paire torsadée 1	
4	Non utilisé	1er conducteur de la paire torsadée 2	
5	Non utilisé	2e conducteur de la paire torsadée 2	

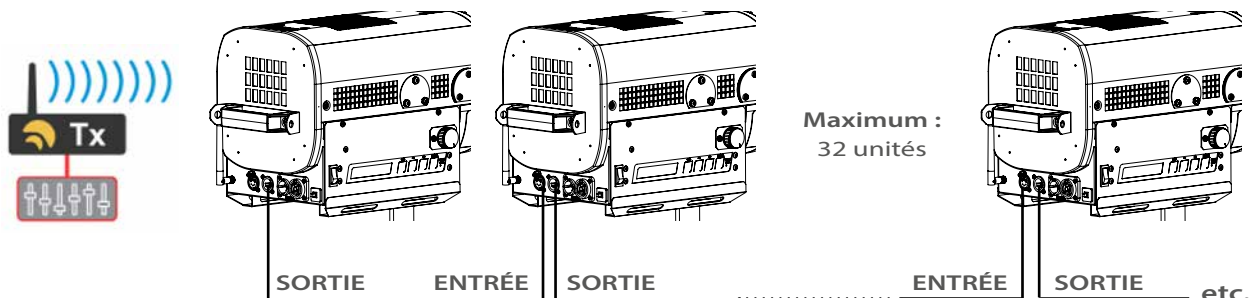
Bouchon de terminaison incorporé:

Si aucun connecteur XLR n'est mécaniquement détecté sur la sortie DMX OUT, un bouchon de terminaison (120Ω) est automatiquement activé. Il n'est donc pas nécessaire d'ajouter un bouchon de terminaison sur le dernier appareil.

Option DMX sans fil	
<ul style="list-style-type: none"> • Protocole: Wireless Solution W-DMX™ • Se référer au manuel d'utilisation du fabricant pour les préconisations générales et l'utilisation de l'émetteur : http://www.wirelessdmx.com • L'antenne doit être si possible visible depuis l'émetteur • Voir manuel RJ-LED Software pour activation (page FR-15) • Ne pas raccorder de câble data DMX IN si utilisation DMX sans fil 	

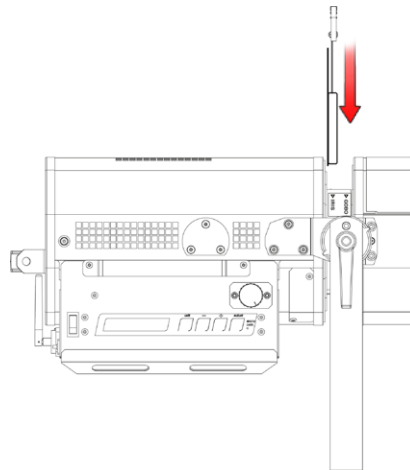
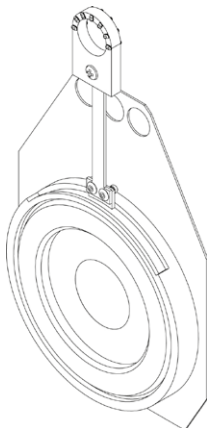
DMX mode:

Le premier appareil reçoit le DMX via le réseau sans fil puis les autres appareils sont reliés au premier à l'aide de câble data DMX.

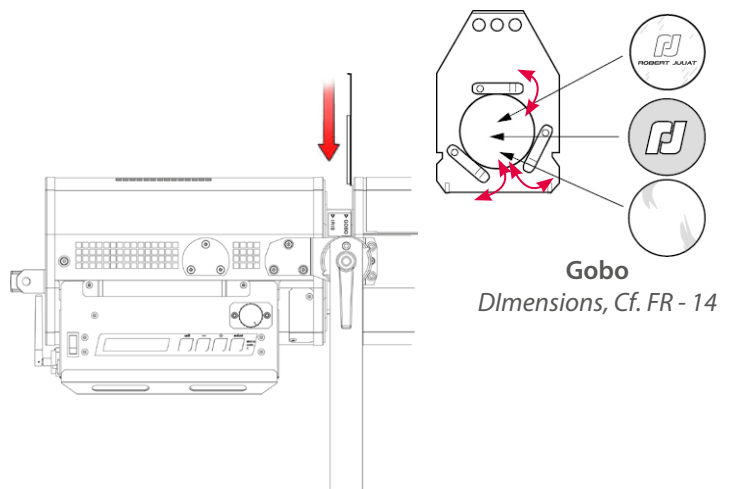
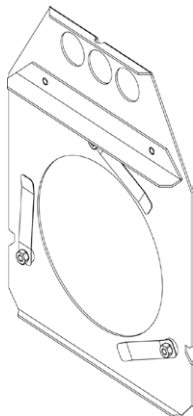


3.3 Accessoires

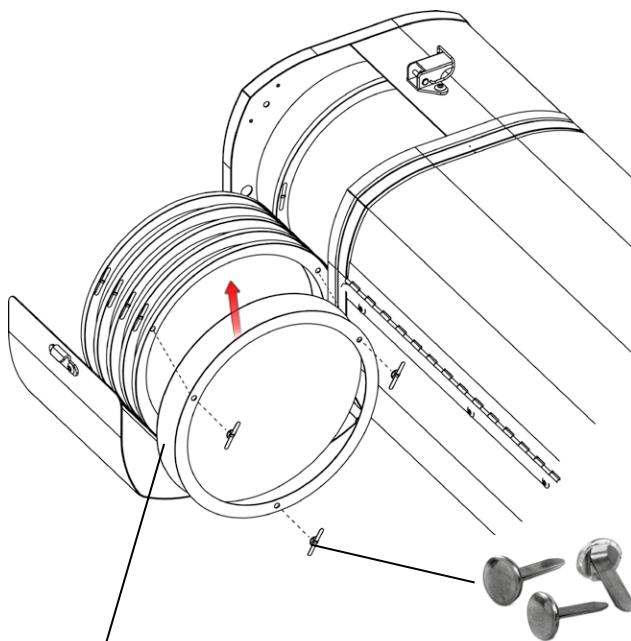
3.3.1 Iris



3.3.2 Support gobo

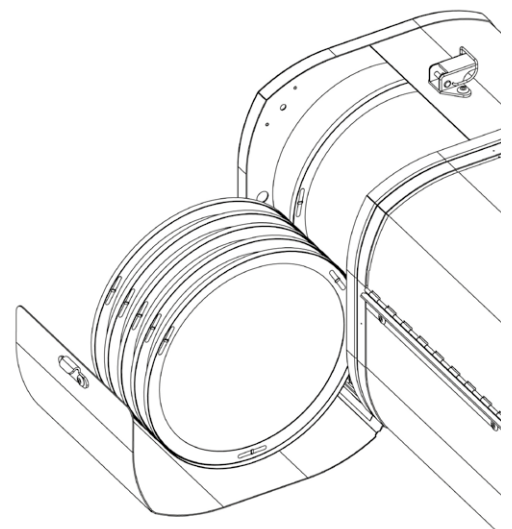


3.3.3 Changeur de couleurs à tirettes



Filtre gélatine
Dimensions, Cf. FR - 14

Clips (Parisien)
(3 pièces pour chaque support filtre)



4 Opération

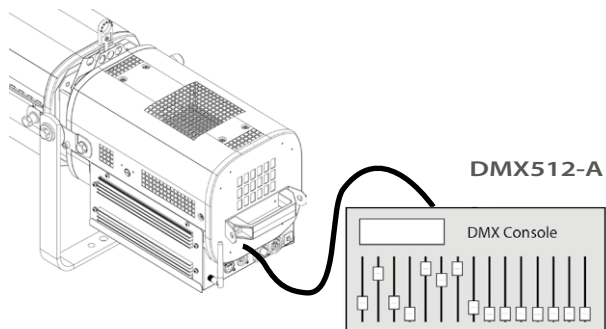
4.1 Intensité lumineuse

4.1.1 Etendue

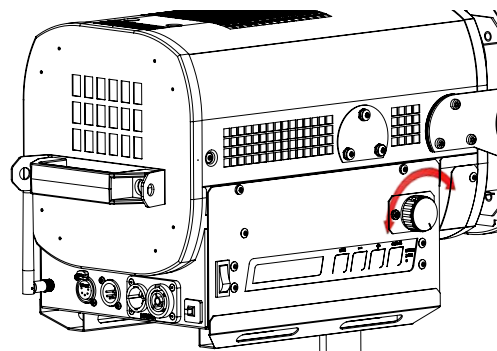


4.1.2 Contrôle

A distance via le protocole DMX512-A



Localement via bouton



Gestion des commandes en mode HTP :
Les deux valeurs d'entrée sont comparées, la valeur la plus élevée est retenue

Focus mode: en mode écran d'accueil,
Appui sur → Allumage du projecteur à 100% pendant 1 minute
Second appui sur Exit → extinction du projecteur

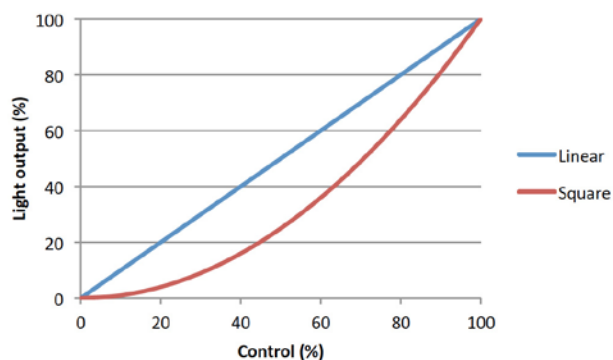
En mode locale → via bouton

4.1.3 Paramètres

Résolution (MODE):

Mode	Résolution
8 bits	255 pas – 1 DMX canal
16 bits	65 535 pas – 2 DMX canaux

Curve (LIGHT CURVE): Linéaire (linear) / Carrée (square)



Lissage (SMOOTHING) :

Mode	Lissage
<i>Slow</i>	Transitions lentes entre valeurs – simule l’inertie de lampe halogène 1000W
<i>Fast</i>	Transitions rapides entre valeurs – simule l’inertie de lampe halogène 600W
<i>Without</i>	Pas de lissage – Transitions très rapides entre valeurs

Master mode (MASTER CONTROL):

Afin de prendre la main sur le contrôle local (l’opérateur) à partir de la console, un 3e canal DMX est utilisé : le Master Control.

Ce canal permet de limiter la valeur maximale de l’obturateur.

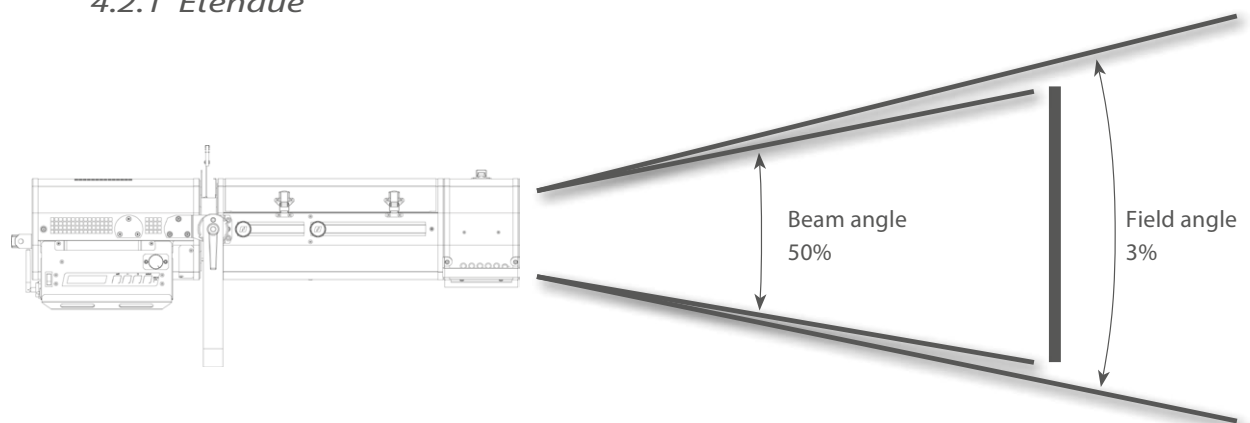
En utilisant cette fonction, il est possible de synchroniser la gradation de plusieurs poursuites en même temps ou d’imposer des limites d’intensité (minimale et maximale) à l’opérateur. Le mode Master est actif uniquement lorsque le DMX est détecté.

DMX		Local	Intensité lumineuse
8/16 bits	Master		
0 → 100%	100%	0%	0 → 100%
0 → 100%	50%	0%	0 → 50%
0%	100%	0 → 100%	0 → 100%
0%	50%	0 → 100%	0 → 50%
50%	100%	0 → 100%	50 → 100%
30%	80%	0 → 100%	30 → 80%

→ Pour utilisation en local et à distance simultanément (ex : poursuite avec opérateur)

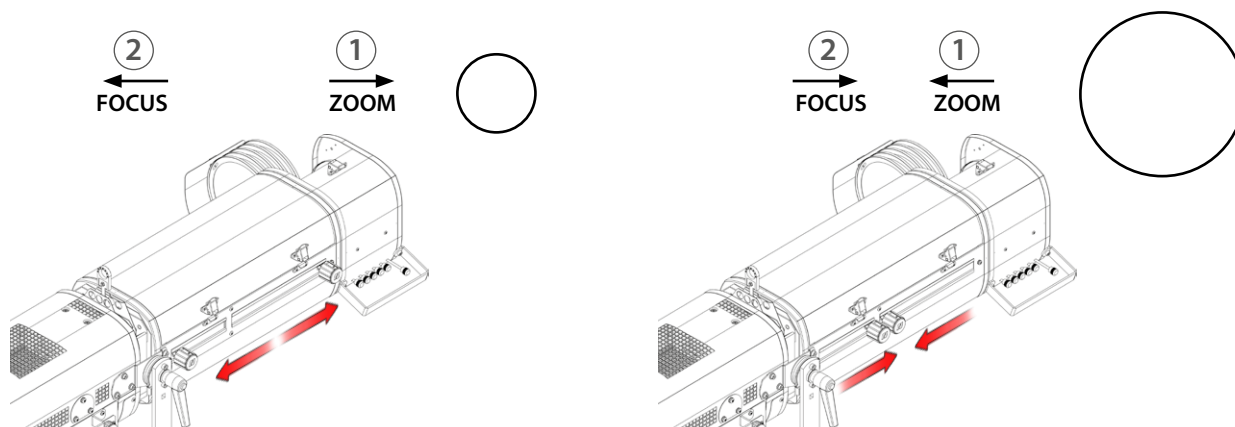
4.2 Ajustement de la taille du faisceau

4.2.1 Etendue



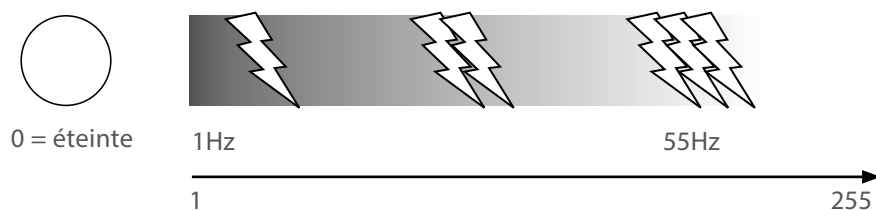
Model	Angles	Minimum angle	Maximum angle
1166	Beam angle	10.6°	15.5°
	Field angle	11°	22.1°

4.2.2 Contrôle

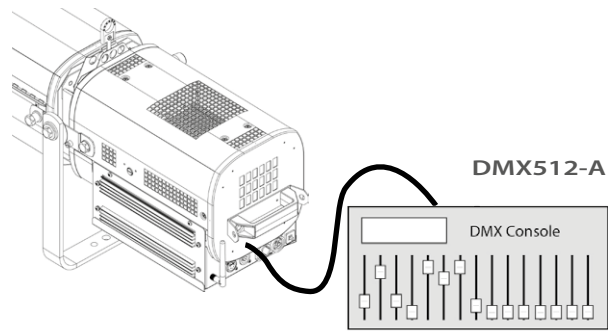


4.3 Stroboscope

4.3.1 Etendue



A distance via le protocole DMX512-A

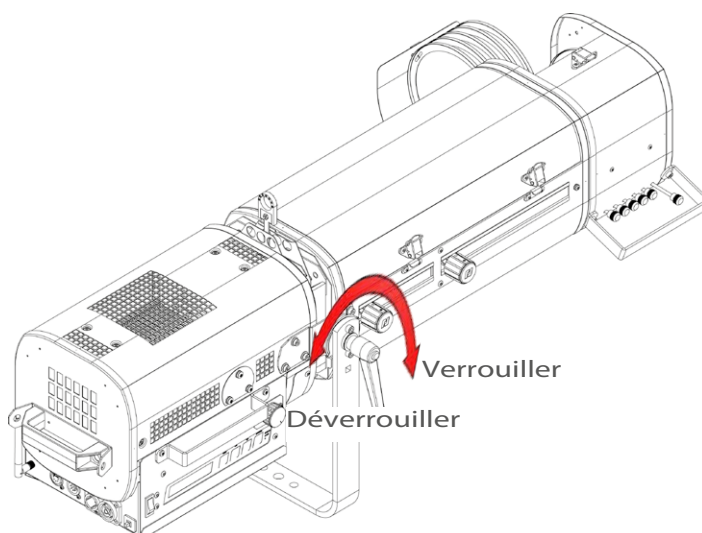


4.4 Orientation

4.4.1 Etendue

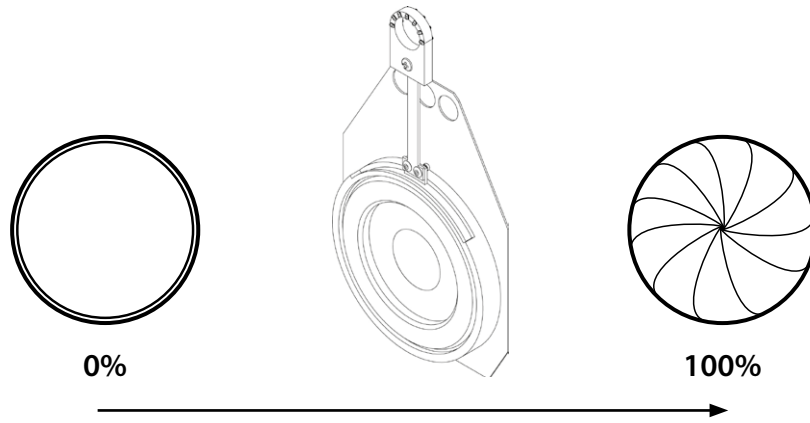
Fonction	Etendue
PAN	0 → 360°
TILT	<p>TU = 0 → 35° TD = 0 → 65°</p>

4.4.2 Contrôle

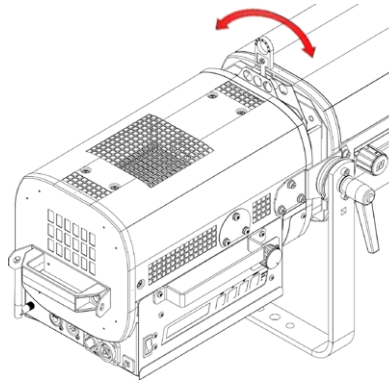


4.5 Iris

4.5.1 Etendue

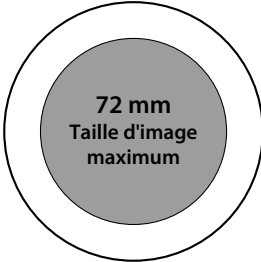


4.5.2 Contrôle



4.6 Gobo

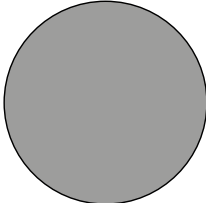
4.6.1 Etendue

Type	Gobo standard - Taille A
Dimensions	<p style="text-align: center;">100 mm</p>  <ul style="list-style-type: none"> • Métal • Verre • Dépoli <p style="text-align: right;"><i>Unités en millimètres (mm)</i></p>
Installation	Cf. section: 3.3.2, page FR - 9

4.7 Couleur

- Couleur fixe: place dark colours towards the rear.

4.7.1 Etendue

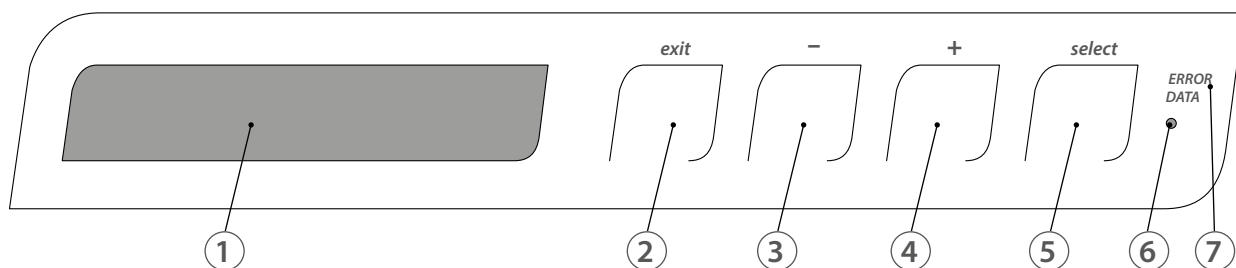
Type	Filtre
Dimension	<p style="text-align: center;">165 mm</p> 
Installation	Cf. section: 3.3.3, page FR - 9

5 Commande DMX



5.1 Panneau de contrôle

5.1.1 Afficheur et touches



Function	
1	Afficheur LCD
2	Sortie du menu et/ou retour en arrière
3	Défilement des menus et/ou diminution des valeurs sélectionnées
4	Défilement des menus et/ou augmentation des valeurs sélectionnées
5	Sélection du menu et/ou validation
6	Reset système
7	Voyants d'état système et data

5.1.2 Menus et paramètres

Veuillez scanner ce QR-Code pour le menu du logiciel ou aller à : www.robertjuliat.fr/ChercheProduits.html pour trouver la dernière version disponible.



5.1.3 Charte DMX

Mode	Théâtre	Studio	Poursuite	DMX Direct (blanc variable)
DMX canel				
1	Gradation (8 bit)	Gradation (Coarse - 8 bit)	Gradation (Coarse - 8 bit)	WW (Coarse - 8 bit)
2		Gradation (Fine - 16 bit)	Gradation (Fine - 16 bit)	WW (Fine - 16 bit)
3		CCT 0 → 255 : WW → CW	CCT 0 → 255 : WW → CW	CW (Coarse - 8 bit)
4		Stroboscope 0 : OFF ; 1 → 255 : SLOW → FAST	Stroboscope 0 : OFF ; 1 → 255 : SLOW → FAST	CW (Fine - 16 bit)
5			Master 0 → 255 : 0 → 100% (FULL)	Stroboscope 0 : OFF ; 1 → 255 : SLOW → FAST

5.1.4 Reset

- Retour vers les paramètres par défaut :
Menu: FIXTURE RESET (réinitialisation) → bouton *Select* → YES → bouton *Select* pour validation.

5.1.5 Retour d'information

- Voyant d'état système et data (7), (Cf. FR-15) :
⇒ Vert = Signal DMX512 détecté.
⇒ Rouge = Problème sur le signal DMX512 reçu et/ou défaut système
Détails disponibles dans le statut de l'appareil.

- En cas de perte du signal DMX, le message suivant s'affiche :
"Push select to reset DMX values"

Les dernières valeurs DMX reçues sont conservées en mémoire mais il est possible en pressant la touche *Select* de désactiver toutes les valeurs en cours (ainsi que la fonction *Master*) afin d'avoir un contrôle total du projecteur en local. Dès détection du signal DMX, ce dernier redevient maître.

- Signal ¥ de présence de DMX sans fil :

Signal	Information
Eteint – pas de symbole	Le projecteur n'est pas appairé à un transmetteur
Affichage discontinu lent	Le projecteur est appairé à un transmetteur mais le signal DMX n'est pas détecté
Affichage continu	Le projecteur est appairé à un transmetteur et le signal DMX est détecté
Affichage discontinu rapide	Perte de la liaison avec le transmetteur ou en liaison avec le transmetteur

6 Maintenance

6.1 Maintenance préventive

6.1.1 Fréquence

Une maintenance générale doit être effectuée au minimum une fois par an et plus si le produit est utilisé dans des conditions d'utilisations « difficiles » (fumée, humidité, chaleur, tournée, etc.).

6.1.2 Nettoyage général

Enlever la poussière du produit (conduits de ventilation, circuits imprimés, etc.).

Pendant la phase de nettoyage :



- La source LED est protégé par un verre de sécurité pour éviter tout contact.
NE PAS pulvériser directement sur le verre
- Le ventilateur doit être bloqué en rotation.

6.1.3 Vérification visuelle générale

- Pas de trace de chaleur.
- Pas de jeu dans les contacts.
- Pas de pièces manquantes.
- Vérifier le serrage de toutes les pièces mécaniques (vis, écrous, mise à la terre, etc...).

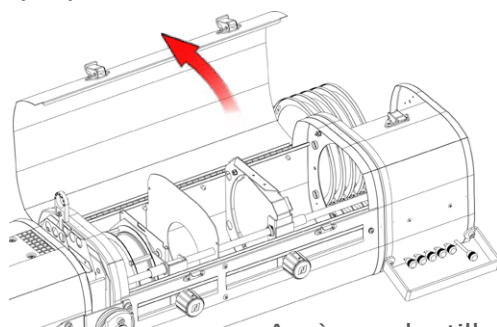
6.1.4 Source LED



- Ne jamais toucher la surface de la source LED (*quel que soit l'objet*)
- Ne pas appliquer d'air comprimé directement sur la source
- Contacter un revendeur RJ agréé en cas de saleté, résidu ou autre objet sur la surface de la source LED

6.1.5 Optique

Le nettoyage des éléments optiques (lentilles) s'effectue avec des nettoyeurs à base d'alcool spécifique pour optique.



Accès aux lentilles du zoom

6.1.6 Analyse

Si le problème persiste après avoir suivi la procédure de dépannage (Cf. section 7), veuillez contacter un revendeur RJ agréé avec les informations suivantes :

- Modèle, version et numéro de série du produit.
- Version programme (disponible dans le statut de l'appareil -> Version).
- Description du problème.

6.1.7 Réaction de la source LED suivant sa température

Température LED	Ventilateur
5°C → 65°C	Ventilation au minimum.
65°C → 75°C	La vitesse du ventilateur augmente progressivement.
75°C → 90°C	Ventilation au maximum. La puissance de la source LED est réduite progressivement afin de la protéger contre les risques de surchauffe. Le voyant d'état système et data est allumé en rouge

La puissance de la source LED est réduite progressivement afin de la protéger contre les risques de surchauffe.

Le voyant d'état (7) système et data est allumé en rouge et la température est disponible dans le menu Fixture Status → Temperature.

6.1.8 Protection thermique

En cas de déclenchement de la protection thermique :

- Démontez la trappe LED (Cf. 6.1.4)
- Vérifiez les éventuelles traces de surchauffe
- Remontez la trappe LED
- Réenclenchez la protection thermique en appuyant dessus

6.1.9 Réglage du niveau maximal de sortie

L'intensité maximale de la source LED peut être ajustée dans le réglage de l'appareil afin d'homogénéiser un parc de projecteurs. La plage de gradation est alors recalculée en tenant compte de la limitation.

6.1.10 Nomenclature / Pièces détachées

➔ Disponible sur www.robertyuliat.fr

➔ Ou sur demande auprès de notre service après-vente info@robertyuliat.fr

7.1 Informations générales

SYMPTOMES		CAUSES POSSIBLES	SOLUTIONS	
Afficheur éteint	L'afficheur s'allume lorsqu'une touche est pressée	La fonction d'extinction automatique de l'afficheur est activée	Vérifier la fonction AUTO-OFF dans le réglage de l'appareil	
	L'afficheur ne s'allume jamais	Le projecteur n'est pas alimenté	Vérifier : <ul style="list-style-type: none"> • l'alimentation • la protection thermique • le bon enclenchement du connecteur d'alimentation 	
Voyant d'état système et data ⑦ allumé en rouge (voir page FR-19)		Problème sur le signal DMX512 reçu et/ou défaut système	Détails de panne disponibles dans le réglage de l'appareil	
Impossible de contrôler l'appareil par DMX (DMX sans fil inactif)	Voyant data ⑦ allumé rouge	Problème de protocole DMX	Vérifier le signal data	Le protocole data reçu peut être vérifié dans le réglage DMX
		Problème de câblage data	Vérifier le câblage et connecteurs data	
	Voyant data ⑦ allumé vert	Adresse DMX	Vérifier l'adresse DMX	
		Le stroboscope est actif et la valeur sur le canal du stroboscope est nulle	La valeur doit être à 0 pour pouvoir faire varier l'intensité lumineuse du projecteur	
Lors de l'utilisation de plusieurs unités, la gradation n'est pas synchronisée		Résolution différente	Toutes les unités doivent avoir le même mode	
		Lissage différent		
		Courbe différente		
Le projecteur s'allume automatiquement lorsque le projecteur est branché		Une valeur manuelle est active lorsque le DMX n'est pas détecté	La valeur locale dans Local values doit être à zéro	
Le projecteur s'allume lors de l'utilisation du panneau de contrôle		Une valeur manuelle est active lorsque le DMX n'est pas détecté	Cf. 4.1.2	
Le stroboscope ne fonctionne pas		Fonction inactive	Vérifiez que le mode sélectionné permet la fonction stroboscope	
		Fonction active	L'intensité lumineuse doit être supérieure à zéro	