



100V 115/120V 230/240V



GENERAL INFORMATION

The ETC ColorSource PAR offers a quality of build and light that has never been seen in an affordable wash fixture. Using ETC’s unique RGB-L color system, the ColorSource PAR provides a rich, bright light unlike any other LED washlight in its class. And it was designed and manufactured by ETC.

APPLICATIONS

- Houses of worship
- Universities and schools
- Hospitality
- Retail
- Exhibition centers
- Meeting rooms
- Clubs
- Cafeteriums

PRODUCT FEATURES

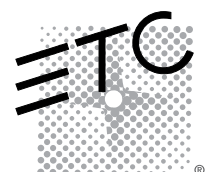
- ETC’s new RGB-L chipset (Red, Green, Blue and Lime)
  - Also available in Deep Blue that replaces the blue LEDs with indigo for rich, saturated blues and magentas
- Homogenized optics
- Simple user interface with seven-segment display
- PowerCon in and thru
- DMX/RDM in and thru (5-pin)
- LED droop compensation
- Optically calibrated
- Tour-ready, aluminum housing

ORDERING INFORMATION

ColorSource PAR

| MODEL     | DESCRIPTION                           |
|-----------|---------------------------------------|
| CSPAR     | ColorSource PAR, black                |
| CSPAR45   | ColorSource PAR RJ45, black           |
| CSPARDB   | ColorSource PAR Deep Blue, black      |
| CSPARDB45 | ColorSource PAR Deep Blue RJ45, black |

Note: ColorSource PAR luminaires ship with a hanging yoke and a power cable with connector of choice. See page 2 for connector options. C-clamps are not included. For additional color options, please add the following: -1 for white, -5 for silver or -8 for custom color.



## SPECIFICATIONS

## GENERAL

- Eight RGB-L chipset color-mixing wash luminaire
- ETL Listed to UL1573, the standard for stage and studio lighting units
- IP20-rated for indoor use
- Power- and DMX-in/thru connections for easy setup
- Simple seven-segment, three-button interface with easy access to 12 customizable presets and five sequences

## PHYSICAL

- Rugged, die-cast, all-metal housing
- Easy-access slots for secondary lenses and standard 7.5" PAR accessories
- Available in black (standard), white or silver (optional) or custom colors (contact factory)
- Hanging yoke included

## ELECTRICAL

- 100VAC to 240VAC 50/60Hz universal power input
- PowerCon in and thru connections
- Up to nine luminaires (15A max) may be linked via power thru connector (10 luminaires total per circuit) when used with R20 relay module or Unison® Echo Relay Panel. Consult breaker trip curves when used with other equipment. Requires power from a non-dimmable source
- Inrush
  - 120V: 35A (First half-cycle)
  - 240V: 49A (First half-cycle)

## LED\*

- 20,000-hour LED life (20,000 hours at 70% intensity)
- 40 Luxeon® Z LED emitters (five per optic)

\*See additional LED notes on page 3

## COLOR

- Exclusive RGB-L Color array
- Available with a Deep Blue array that replaces blue with indigo
- Brightness and color range unlike any other four-color system
- Droop compensation maintains color accuracy during use
- Optically calibrated to ensure consistency across fixture

## OPTICAL

- Primary field angle of 24.9° and beam angle of 14.5°
- Secondary lenses available for multiple beam-spread options
- Homogenized optics for a consistent, smooth beam
- Refer to accessories charts for lenses available

## CONTROL

- Available with DMX512 in and thru via five-pin XLR or RJ45 connectors (Termination Required)
- RGB control (See DMX control table for additional information)
- 15-bit virtual dimming engine provides smooth, high-quality theatrical fades
- RDM functionality for address and setting changes
- Local control of presets (12) and sequences (5)

## THERMAL

- Ambient operating temperature of 32° to 104°F (0° to 40°C)
- Active electronic thermal management for thermal droop-free operation
- Variable-speed fan
- Fixture is designed for continuous operation up to 104°F (40°C) ambient temperature and requires free flow of air around fixture housing

## ADDITIONAL ORDERING INFORMATION

## Power Input Cables

Use information below to order 5' power input leads with factory-fitted connectors.

| MODEL | DESCRIPTION   |
|-------|---|
| DPA-A | 5' PowerCon to parallel blade U-ground (Edison) connector   |
| DPA-B | 5' PowerCon to 20A two-pin and ground (stage-pin) connector |
| DPA-C | 5' PowerCon to grounded 20A twistlock connector             |
| DPA-X | 5' PowerCon to bare-end power input lead                    |

## Power-Thru Jumpers

Note: Power thru jumpers connect to luminaire's output (thru) connector to provide link to successive luminaires

| MODEL  | DESCRIPTION  |
|--------|--|
| DPJ-5  | 5' PowerCon to PowerCon fixture to fixture jumper  |
| DPJ-10 | 10' PowerCon to PowerCon fixture to fixture jumper |

## Luminaire Accessories

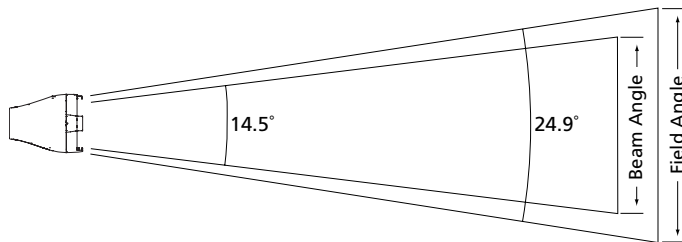
| MODEL    | DESCRIPTION   |
|----------|---|
| CSPARFSY | Yoke with floor-stand attachment  |
| 400BD    | Barn door (Use only as a flexible top hat to diminish aperture glare. Not for beam shaping) |
| 407CF    | Color Frame (use for round and oblong lenses)   |
| 400L     | Egg Crate Louver  |
| 400PTH3  | Top Hat 3" Tube   |
| 400PTH6  | Top Hat 6" Tube   |
| 400PHH   | Half Hat 6" Tube  |
| 400CC    | C-Clamp (does not ship with fixture)  |
| 400SC    | Safety Cable (32")  |
| DPSJ-25  | 25' PowerCon to Edison input power cable with inline switch                                 |

PHOTOMETRICS

ColorSource PAR

| Mode            | Degree | Candela | Field Lumens | Beam Lumens | Lumens Per Watt |
|-----------------|--------|---------|--------------|-------------|-----------------|
| Regulated - RGB | 14.4   | 47,900  | 2,749        | 1,537       | 32              |

Metric conversions: For meters, multiply feet by 0.3048  
 For lux, multiply footcandles by 10.76



| Throw Distance (d) | 10ft<br>3.0m  | 15ft<br>4.6m  | 20ft<br>6.1m  | 25ft<br>7.6m | 217.7ft<br>66.4m |
|--------------------|---------------|---------------|---------------|--------------|------------------|
| Field Diameter     | 4.4ft<br>1.3m | 6.6ft<br>2.0m | 8.8ft<br>2.7m | 11ft<br>3.4m | -                |
| Illuminance (fc)   | 474           | 211           | 119           | 76           | 1                |
| Illuminance (lux)  | 5,102         | 2,268         | 1,276         | 816          | 10.76            |

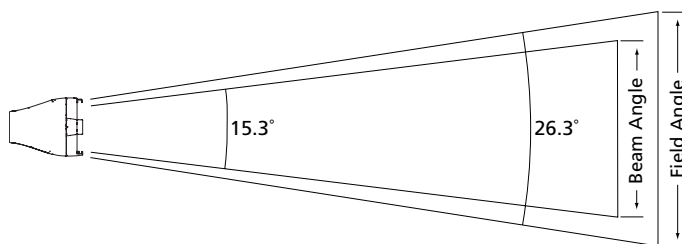
To determine center beam illumination in footcandles at any throw distance, divide candela by the throw distance squared

For field diameter at any distance, multiply distance by 0.442  
 For beam diameter at any distance, multiply by 0.254

ColorSource PAR Deep Blue

| Mode            | Degree | Candela | Field Lumens | Beam Lumens | Lumens Per Watt |
|-----------------|--------|---------|--------------|-------------|-----------------|
| Regulated - RGB | 15.32  | 32,627  | 2,129        | 1,273       | 29.8            |

Metric conversions: For meters, multiply feet by 0.3048  
 For lux, multiply footcandles by 10.76



| Throw Distance (d) | 10ft<br>3.0m  | 15ft<br>4.6m  | 20ft<br>6.1m  | 25ft<br>7.6m   | 180.6ft<br>55.1m |
|--------------------|---------------|---------------|---------------|----------------|------------------|
| Field Diameter     | 4.7ft<br>1.4m | 7.0ft<br>2.1m | 9.3ft<br>2.8m | 11.7ft<br>3.6m | -                |
| Illuminance (fc)   | 326           | 145           | 82            | 52             | 1                |
| Illuminance (lux)  | 3,512         | 1,561         | 878           | 562            | 10.76            |

To determine center beam illumination in footcandles at any throw distance, divide candela by the throw distance squared

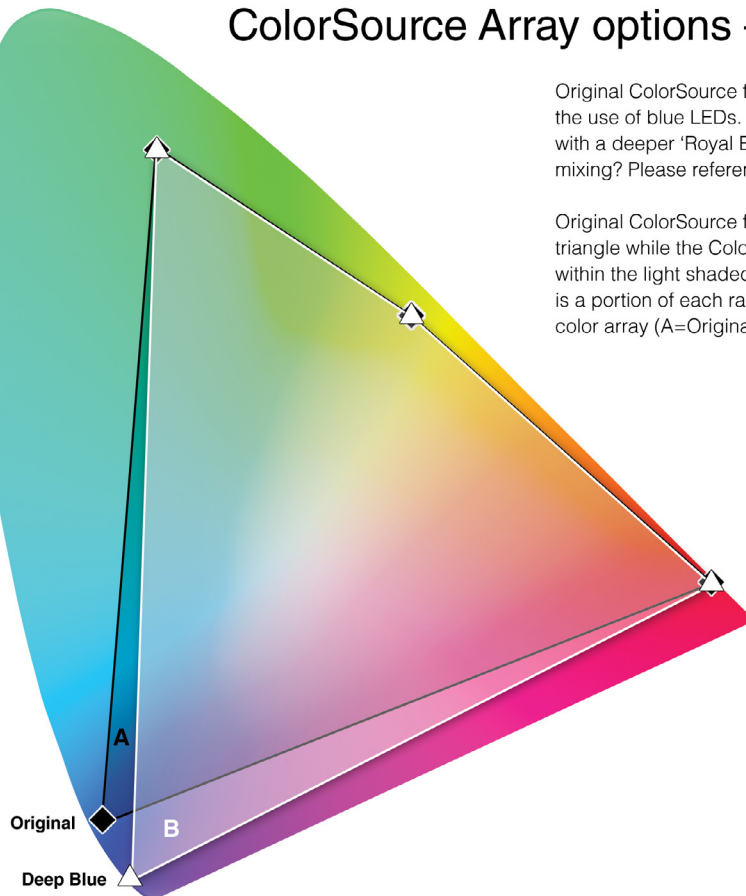
For field diameter at any distance, multiply distance by 0.467  
 For beam diameter at any distance, multiply by 0.269

## COLORSOURCE PAR VS COLORSOURCE PAR DEEP BLUE

## ColorSource Array options – Original vs. Deep Blue

Original ColorSource fixtures use an RGB-L array where the 'B' represents the use of blue LEDs. ColorSource Deep Blue replaces those blue LEDs with a deeper 'Royal Blue' (indigo) LED. How does this impact your color mixing? Please reference the color chart.

Original ColorSource fixtures can reach any color within the dark shaded triangle while the ColorSource Deep Blue fixtures can reach any color within the light shaded triangle. While much of these areas overlap, there is a portion of each range that can only be reached by the respective color array (A=Original, B=Deep Blue).

**Common gels found in original ColorSource**

Roscolux 095, 075, 076

Lee 363, 119, 721, 722, 132, 141, 183, 172, 325

**Common gels found in ColorSource Deep Blue**

Roscolux 384, 385, 382, 059, 358, 347, 049, 349,

046, 124, 027, 120

Lee 126, 049, 798, 707, 181, 071, 120, 716

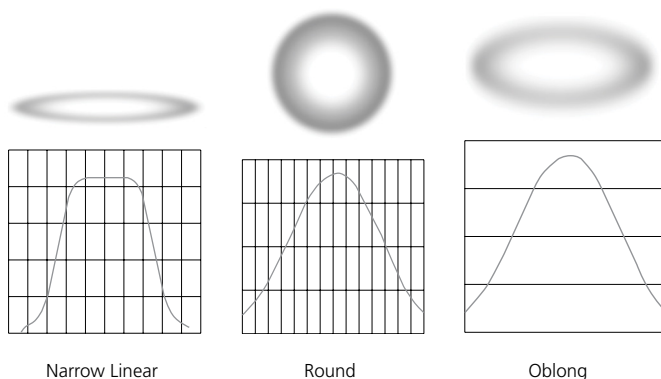
ADDITIONAL ORDERING INFORMATION

Secondary Lens Options

|                            |  |  |
|----------------------------|--|--|
| <b>MODEL</b>               | <b>DESCRIPTION:</b> The following lenses are cut for ColorSource luminaires and create round, linear or oblong field patterns as described below. These lenses are not sized for use in Selador® Classic fixtures. |  |
| <b>Narrow Linear Field</b> | Note: This is the same material as Selador Classic lenses  |  |
| SELLVN-7.5                 | 7.5" Very Narrow lens  | Linear lenses may be combined to create desired field size |
| SELLN-7.5                  | 7.5" Narrow lens   |  |
| SELLM-7.5                  | 7.5" Medium lens   |  |
| SELLW-7.5                  | 7.5" Wide lens   |  |
| SELLEW-7.5                 | 7.5" Extra Wide lens   |  |
| <b>Round Field</b>         |  |  |
| SELRVN-7.5                 | 7.5" Very Narrow lens (round field)  |  |
| SELRN-7.5                  | 7.5" Narrow lens (round field)   |  |
| SELRM-7.5                  | 7.5" Medium lens (round field)   |  |
| SELRW-7.5                  | 7.5" Wide lens (round field)   |  |
| <b>Oblong Field</b>        |  |  |
| SELON-7.5                  | 7.5" Narrow lens (oblong field)  |  |
| SELOM-7.5                  | 7.5" Medium lens (oblong field)  |  |
| SELOW-7.5                  | 7.5" Wide lens (oblong field)  |  |

[Desire lenses compared to Source Four PAR EA](#)

Typical Lens Field Profiles



Power Consumption at Full Intensity

| MODEL           | VOLTAGE (V) | CURRENT (A) | WATTS |
|-----------------|-------------|-------------|-------|
| ColorSource PAR | 120 / 240   | 0.75 / 0.4  | 90/89 |

NOTES ABOUT LED LUMINAIRES

All LED sources experience some lessening of light output and some color shift over time. LED output will vary with thermal conditions. Thermal conditions can be affected by ambient temperatures and orientation. Based on the LED manufacturer's B50 L70 specification, a ColorSource luminaire will achieve ~70% of its initial output after 20,000 hours of typical usage. In individual situations, LEDs will be used for different durations and at different levels. This can eventually lead to minor alterations in color performance, necessitating slight adjustments to presets, cues or programs.

CONTROL

DMX Input Channel Profiles

| DMX Profile | DMX Channels | Channel Assignments                             | Notes |
|-------------|--------------|---|-------|
| RGB         | 5            | 1-INT<br>2-Red<br>3-Green<br>4-Blue<br>5-Strobe |       |

PHYSICAL

ColorSource PAR Dimensions

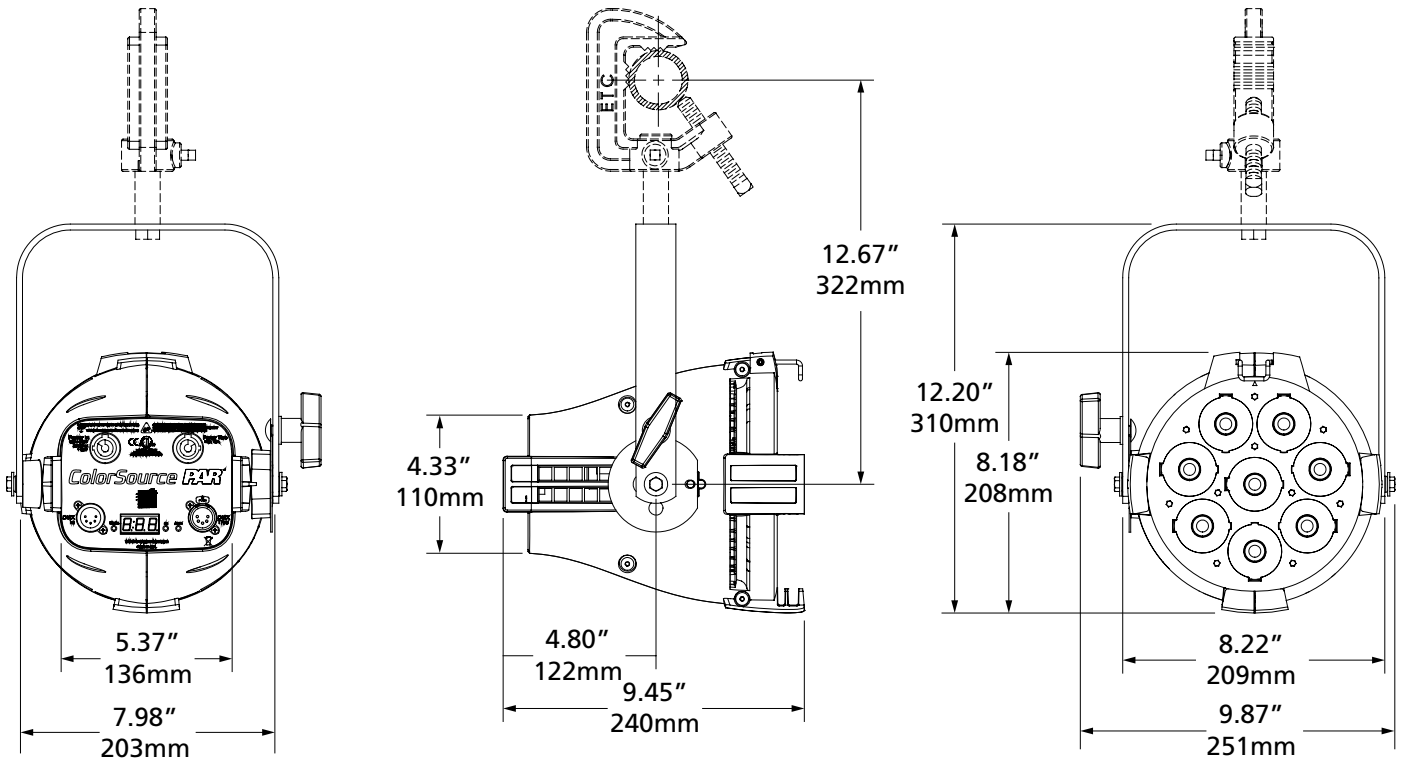
| HEIGHT |     | WIDTH  |     | DEPTH  |     |
|--------|-----|--------|-----|--------|-----|
| inches | mm  | inches | mm  | inches | mm  |
| 12.20  | 310 | 7.98   | 203 | 9.45   | 240 |

\* Does not include mounting hardware

ColorSource PAR Weights

| WEIGHT* |      | SHIPPING WEIGHT |      |
|---------|------|-----------------|------|
| lbs     | kgs  | lbs             | kgs  |
| 8.3     | 3.77 | 10.1            | 4.59 |

\* Does not include mounting hardware



Corporate Headquarters • 3031 Pleasant View Rd, PO Box 620979, Middleton WI 53562 0979 USA • Tel +1 608 831 4116 • Fax +1 608 836 1736

London, UK • Unit 26-28, Victoria Industrial Estate, Victoria Road, London W3 6UU, UK • Tel +44 (0)20 8896 1000 • Fax +44 (0)20 8896 2000

Rome, IT • Via Pieve Torina, 48, 00156 Rome, Italy • Tel +39 (06) 32 111 683 • Fax +44 (0)20 8752 8486

Holzkirchen, DE • Ohmstrasse 3, 83607 Holzkirchen, Germany • Tel +49 (80 24) 47 00-0 • Fax +49 (80 24) 47 00-3 00

Hong Kong • Room 1801, 18/F, Tower 1 Phase 1, Enterprise Square, 9 Sheung Yuet Road, Kowloon Bay, Kowloon, Hong Kong • Tel +852 2799 1220 • Fax +852 2799 9325

Web • www.etcconnect.com • Copyright©2016 ETC. All Rights Reserved. All product information and specifications subject to change. 7412L1000 Rev. E USA 06/2016

This product is protected by one or more of the following U.S. Patents: 6,016,038, 6,150,774, 6,788,011, 6,806,659, 6,683,423 and 7,023,543