

Assembly Instructions

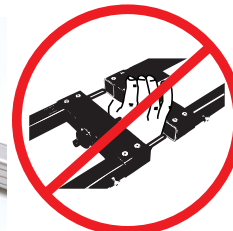
StageScreen® Projection Screen by Draper

Patent
Pending

⚠ Caution

- ① Read instructions through completely before proceeding; retain for future reference.
- ② Handle viewing surface with care; do not allow it to come in contact with sharp or dirty objects.
- ③ These instructions are based on assembly by a minimum of two people.
- ④ Make sure screen is level.
- ⑤ Do not write on viewing surface.
- ⑥ The ideal temperature range for assembling folding screens to prevent damaging the surface is 68°-78° F (20°-26° C). Assembling below recommended temperatures may damage surface and void warranty.
- ⑦ Do not permit screen fabric to contact border material or loops when folded. Store in pouch provided.
- ⑧ Color-coded attachment knobs must be fully tightened before screen frame is raised from the floor or assembly surface. If all knobs are not tightened, the weight of the screen could cause the forks (pins) to break, and the screen could fall, causing injury.

- ③ Assemble frame by inserting "forks" (pins) of each piece into holes on the adjoining piece. Tighten by turning color-coded attachment knobs (see Fig. 4).



**⚠ Caution:
Beware of
pinch points.**

Figure 4

Frame/Screen Assembly

- ① Open carrying case and remove pouch containing screen surface. Remove surface and lay it viewing side down on a clean tarp or drop cloth. **This step must be completed first** (see Fig. 1).



Figure 1

- ② Remove frame pieces from case and place in the appropriate locations around the outside of the viewing surface.
- Please Note: Each piece is color-coded: refer to StageScreen Assembly Map included with screen for correct layout (see reverse side and Fig. 2).**

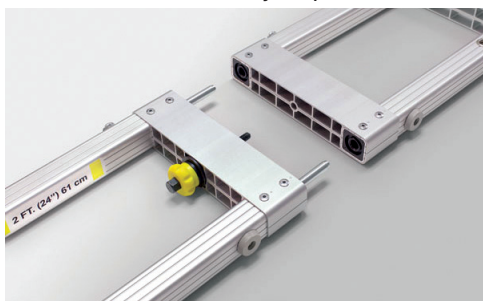


Figure 2

Please Note: Make sure all frame pieces are placed with "forks" (pins) running clockwise, rivcups facing up, and DuraLoop Attachment Lugs facing out (see Fig. 3).

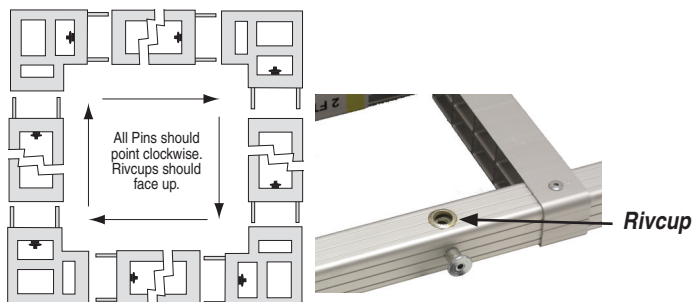


Figure 3

- ③ **⚠ Caution: Color-coded attachment knobs must be fully tightened before screen frame is raised from the floor or assembly surface. If all knobs are not tightened, the weight of the screen could cause the forms (pins) to break, and the screen could fall, causing injury.**

- ④ **If wall mounting, skip this step.** If screen is being flown, attach Stiffener Bars to outer perimeter truss tube and hand tighten using attachment knobs (see Fig. 5). **Hand tighten only!**

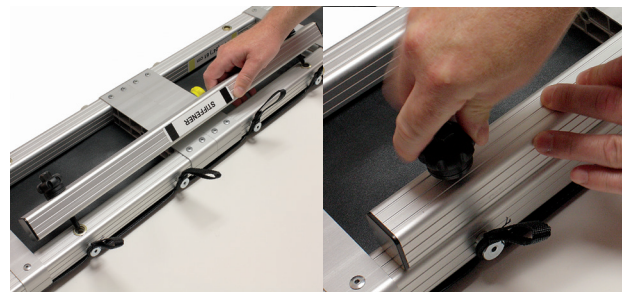


Figure 5

- ⑤ If screen is being flown, attach hardware for suspending screen.
- ⑤ **⚠ Caution: All fly points must be attached and all stiffeners secured BEFORE raising screen to prevent damage to frame and/or injury.**
- ⑤ **⚠ Caution: If StageScreen is to be flown, it is the responsibility of the installer to provide attachment hardware and suspension cables of adequate strength, and also to ensure the overhead structure is strong enough to hold the screen. Refer to StageScreen Assembly Map included with screen for where to locate hardware on frame.**

- ⑥ Attach viewing surface to frame (see Fig. 6).



Figure 6

- ⑦ Raise StageScreen into place (this step requires at least two people, depending on screen size). If screen is on legs, Draper's UFS StageHand can be used to assist in raising to a standing position.
- Please Note: If legs are provided, see separate instructions and assembly guide provided with legs.**

⚠ Warning: This product is intended for indoor use only. Failure to follow warning may result in product damage or personal injury due to unforeseen acts of nature.

DRAPER®

Center Supports
All StageScreens over 60' wide require a center support (front projection only).

Notes for Wall Mounting

See page 2 for notes on wall mounting the StageScreen, and a drawing of the StageScreen Wall Mounting Bracket.

If you encounter any difficulties assembling your StageScreen, call your dealer or Draper, Inc. in Spiceland, Indiana, 765-987-7999, or fax 765-987-7142.

Notes for Wall Mounting

If wall mounting, do not use any stiffener bars. Product does not ship with any mounting hardware. Anticipate the weight of this product with proper support into studs. Do not rely on drywall only to hold screen! It is the installer's responsibility to choose hardware appropriate for the weight of the screen and the mounting surface

Wall Mounting StageScreen

This bracket kit is to be used when wall-mounting a StageScreen only. The number of wall-mount bracket kits required for your screen (if wall-mounting a previously flown screen) corresponds with both the number and location of "fly points" shown on the frame map. Contact Draper if you have questions as to the number or location of wall-mount brackets for your screen. **Wall mount bracket is ordered separately under part number 383827.**

PLEASE NOTE: Prior to mounting brackets to wall, locate & measure locations along the top horizontal of your StageScreen to allow the brackets to be placed away from frame section unions & vertical rungs. The ladder-truss design of your StageScreen provides many mounting location possibilities for wall brackets. Ideally the brackets will be at the mid-point of a frame section & centered between vertical rungs.

- ① Attach bracket to wall (illustration shows three ¼" x 3" lag bolts [A]. It is the installer's responsibility to choose hardware appropriate for the weight of the screen and the mounting surface). EACH OF THE THREE MOUNTING HOLES SHOULD BE UTILIZED WITH APPROPRIATE FASTENERS!

Please Note: Always mount wall brackets to a wall stud or a suitable structure using appropriate mounting hardware.

- ② Position top horizontal member of the StageScreen frame over the wall-mount brackets as shown.

Please Note: Steps #3-#5 lock the StageScreen frame to the mounting brackets to prevent the screen from being dislodged from the brackets.

- ③ Thread the top two #10-24 x 3/8" fasteners (B) into the tapped holes on the wall bracket until they contact the wall.
- ④ Drill hole through one wall of StageScreen frame tube with #20 (.1610") drill bit; using wall bracket as a drill guide (C).
- ⑤ Thread the self-tapping #10-24 x 3/8" fastener (C) through the tapped hole in the bracket & through the hole in the StageScreen tube.

Please Note: if desired, the wall mount bracket can also be placed at the BOTTOM of the screen to:

- a. Secure the screen to the wall on the bottom as well as the top.
- b. Adjust the bottom horizontal member (if needed) to correct deflection.

