

# SIXPAR 300™

user manual

©2015 ELATION PROFESSIONAL all rights reserved. Information, specifications, diagrams, images, and instructions herein are subject to change without notice. ELATION PROFESSIONAL logo and identifying product names and numbers herein are trademarks of ELATION PROFESSIONAL. Copyright protection claimed includes all forms and matters of copyrightable materials and information now allowed by statutory or judicial law or hereinafter granted. Product names used in this document may be trademarks or registered trademarks of their respective companies and are hereby acknowledged. All non-ELATION brands and product names are trademarks or registered trademarks of their respective companies.

ELATION PROFESSIONAL and all affiliated companies hereby disclaim any and all liabilities for property, equipment, building, and electrical damages, injuries to any persons, and direct or indirect economic loss associated with the use or reliance of any information contained within this document, and/or as a result of the improper, unsafe, insufficient and negligent assembly, installation, rigging, and operation of this product.

**Elation Professional USA** | 6122 S. Eastern Ave. | Los Angeles, CA. 90040  
323-582-3322 | 323-832-9142 fax | [www.elationlighting.com](http://www.elationlighting.com) | [info@elationlighting.com](mailto:info@elationlighting.com)

**Elation Professional B.V.** | Junostraat 2 | 6468 EW Kerkrade, Netherlands  
+31 45 546 85 66 | +31 45 546 85 96 fax | [www.elationlighting.eu](http://www.elationlighting.eu) | [info@elationlighting.eu](mailto:info@elationlighting.eu)

## DOCUMENT VERSION

 Please check [www.elationlighting.com](http://www.elationlighting.com) for the latest revision/update of this manual.

Date	Document Version	Software Version	DMX Channel Modes	Notes
2/2015	1	≥1.02	6/7/8/12	Initial release.

## CONTENTS

General Information	4
Warranty	6
Safety Instructions	7
General Guidelines	8
Fixture Overview	9
Fixture Installation	10
Understanding DMX	12
Fixture Menu	15
DMX Channel Functions And Values	18
Cleaning and Maintenance	21
Technical Specifications	22
Optional Accessories	24

## GENERAL INFORMATION

### INTRODUCTION

Congratulations, you have just purchased one of the most innovative and reliable lighting fixtures on the market today! The **SIXPAR 300™** has been designed to perform reliably for years when the guidelines in this booklet are followed. Please read and understand the instructions in this manual carefully and thoroughly before attempting to operate this unit. These instructions contain important information regarding safety during use and maintenance.

### UNPACKING

Thank you for purchasing the **SIXPAR 300™** by Elation Professional®. Every **SIXPAR 300™** has been thoroughly tested and has been shipped in perfect operating condition. Carefully check the shipping carton for damage that may have occurred during shipping. If the carton appears to be damaged, carefully inspect your unit for damage and be sure all accessories necessary to operate the unit have arrived intact. In the event damage has been found or parts are missing, please contact our customer support team for further instructions. Please do not return this unit to your dealer without first contacting customer support at the number listed below. Please do not discard the shipping carton in the trash. Please recycle whenever possible.

### BOX CONTENTS

- (1) powerCON Cable
- Manual & Warranty Card

## CUSTOMER SUPPORT

Elation Professional® provides a customer support line, to provide set up help and to answer any question should you encounter problems during your set up or initial operation. You may also visit us on the web at [www.elationlighting.com](http://www.elationlighting.com) for any comments or suggestions. For service related issue please contact Elation Professional®.

### **ELATION SERVICE USA - Monday - Friday 8:00am to 5:00pm PST**

**Voice: 323-582-3322**

**Fax: 323-832-9142**

E-mail: [support@elationlighting.com](mailto:support@elationlighting.com)

### **ELATION SERVICE EUROPE - Monday - Friday 08:30 to 17:00 CET**

**Voice: +31 45 546 85 30**

**Fax: +31 45 546 85 96**

E-mail: [support@elationlighting.eu](mailto:support@elationlighting.eu)

## WARRANTY REGISTRATION

Please fill out the enclosed warranty card to validate your purchase. All returned service items whether under warranty or not, must be freight pre-paid and accompany a return authorization (R.A.) number. The R.A. number must be clearly written on the outside of the return package. A brief description of the problem as well as the R.A. number must also be written down on a piece of paper and included in the shipping container. If the unit is under warranty, you must provide a copy of your proof of purchase invoice. Items returned without a R.A. number clearly marked on the outside of the package will be refused and returned at customer's expense. You may obtain a R.A. number by contacting customer support at 323-582-3322.

### **IMPORTANT NOTICE!**



**There are no user serviceable parts inside this unit. Do not attempt any repairs yourself; doing so will void your manufactures warranty. Damages resulting from modifications to this fixture and/or the disregard of safety and general user instructions found in this user manual void the manufactures warranty and are not subject to any warranty claims and/or repairs.**

## LIMITED WARRANTY

A. Elation Professional® hereby warrants, to the original purchaser, Elation Professional® products to be free of manufacturing defects in material and workmanship for a period of two years (730 days), and Elation Professional® product rechargeable batteries to be free of manufacturing defects in material and workmanship for a period of six months (180 days), from the original date of purchase. This warranty excludes discharge lamps and all product accessories. This warranty shall be valid only if the product is purchased within the United States of America, including possessions and territories. It is the owner's responsibility to establish the date and place of purchase by acceptable evidence, at the time service is sought.

B. For warranty service, send the product only to the Elation Professional® factory. All shipping charges must be pre-paid. If the requested repairs or service (including parts replacement) are within the terms of this warranty, Elation Professional® will pay return shipping charges only to a designated point within the United States. If any product is sent, it must be shipped in its original package and packaging material. No accessories should be shipped with the product. If any accessories are shipped with the product, Elation Professional® shall have no liability what so ever for loss and/or or damage to any such accessories, nor for the safe return thereof.

C. This warranty is void if the product serial number and/or labels are altered or removed; if the product is modified in any manner which Elation Professional® concludes, after inspection, affects the reliability of the product; if the product has been repaired or serviced by anyone other than the Elation Professional® factory unless prior written authorization was issued to purchaser by Elation Professional®; if the product is damaged because not properly maintained as set forth in the product instructions, guidelines and/or user manual.

D. This is not a service contract, and this warranty does not include any maintenance, cleaning or periodic check-up. During the periods as specified above, Elation Professional® will replace defective parts at its expense, and will absorb all expenses for warranty service and repair labor by reason of defects in material or workmanship. The sole responsibility of Elation Professional® under this warranty shall be limited to the repair of the product, or replacement thereof, including parts, at the sole discretion of Elation Professional®. All products covered by this warranty were manufactured after January 1, 1990, and bare identifying marks to that effect.

E. Elation Professional® reserves the right to make changes in design and/or performance improvements upon its products without any obligation to include these changes in any products theretofore manufactured.

F. No warranty, whether expressed or implied, is given or made with respect to any accessory supplied with the products described above. Except to the extent prohibited by applicable law, all implied warranties made by Elation Professional® in connection with this product, including warranties of merchantability or fitness, are limited in duration to the warranty periods set forth above. And no warranties, whether expressed or implied, including warranties of merchantability or fitness, shall apply to this product after said periods have expired. The consumer's and/or dealer's sole remedy shall be such repair or replacement as is expressly provided above; and under no circumstances shall Elation Professional® be liable for any loss and/or damage, direct and/or consequential, arising out of the use of, and/or the inability to use, this product.

G. This warranty is the only written warranty applicable to Elation Professional® products and supersedes all prior warranties and written descriptions of warranty terms and conditions heretofore published.

# SAFETY INSTRUCTIONS



The **SIXPAR 300™** is an extremely sophisticated piece of electronic equipment. To guarantee a smooth operation, it is important to follow the guidelines in this manual. The manufacturer of this device will not accept responsibility for damages resulting from the misuse of this fixture due to the disregard of the information printed in this manual.



This device falls under **PROTECTION CLASS 1**. It's essential this device be grounded properly. Only qualified personnel should perform all electrical connections.

## C A U T I O N S



**KEEP THIS FIXTURE AWAY FROM RAIN AND MOISTURE!**



**UNPLUG POWER BEFORE SERVICING FIXTURE**



**NEVER TOUCH FIXTURE DURING OPERATION AS IT MAY BE HOT**



**NEVER LOOK DIRECTLY INTO THE LIGHT SOURCE  
SENSITIVE PERSONS MAY SUFFER AN EPILEPTIC SHOCK**

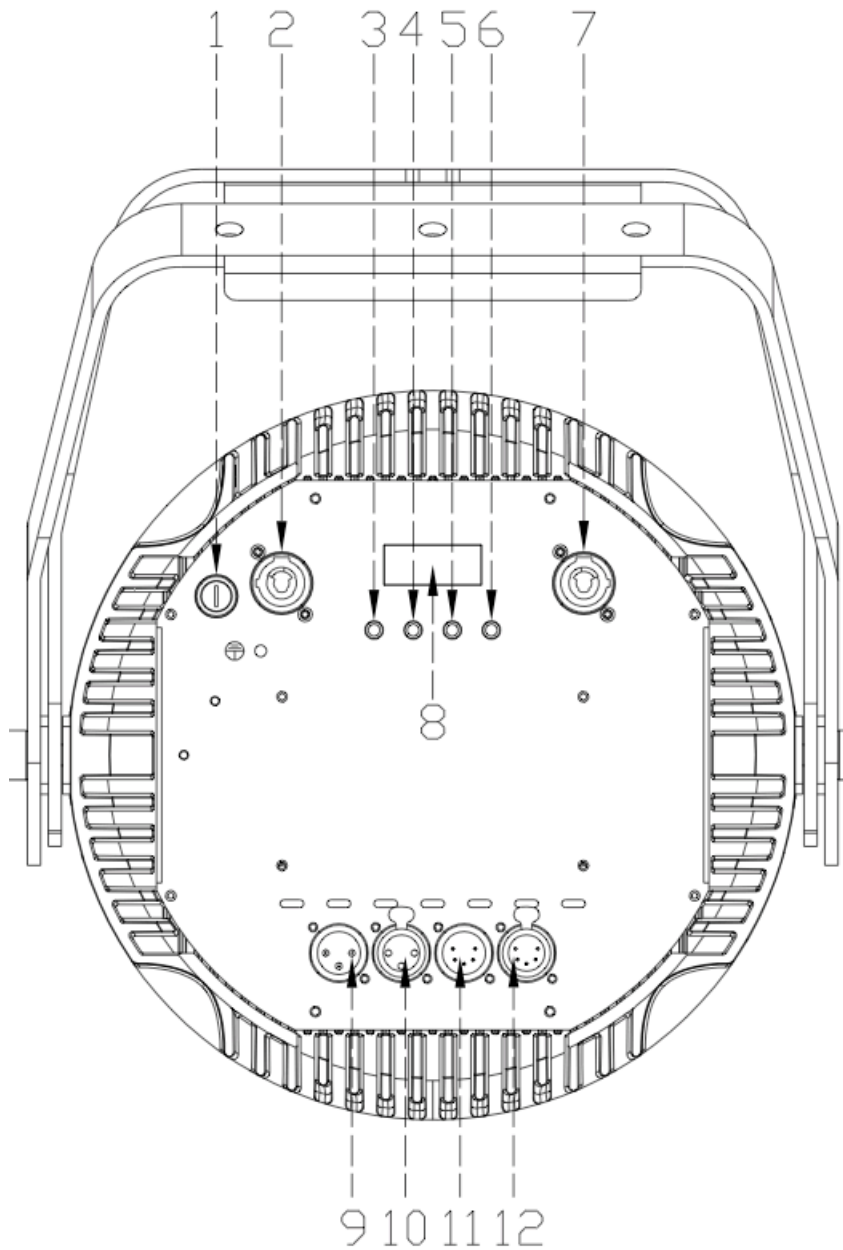
- For proper operation, follow the **Installation** guidelines described in this manual. Only qualified and certified personnel should perform installation of this fixture and only the original rigging parts (brackets) included with this fixture should be used for installation. Any modifications will void the original manufactures warranty and increase the risk of damage and/or personal injury.
- Never look directly into the light source of this fixture to prevent risk of injury to your retina, which may induce blindness. Those suffering from **EPILEPSY** should avoid looking directly into the light source of this unit at all times.
- Always disconnect from main power source before performing any type of service and/or cleaning procedure. Only handle the power cord by the plug end, never pull out the plug by tugging the wire portion of the cord.
- Do not operate this fixture if the power cord has become frayed, crimped and/or damaged. If the power cord is damaged, replace it immediately with a new one of similar power rating.

## GENERAL GUIDELINES

- **NEVER OPEN THIS FIXTURE WHILE IN USE!**
- During the initial operation of this fixture, a light smoke or smell may emit from the interior of the fixture. This is a normal process and is caused by excess paint in the interior of the casing burning off from the heat associated with the lamp and will decrease gradually over time.
- This fixture is a professional lighting effect designed for **INDOOR / DRY LOCATIONS ONLY** on stage, in nightclubs, theatres, etc.
- Please make sure there are **NO FLAMMABLE MATERIALS** close to the fixture while operating, to prevent any fire hazard.
- **Minimum** distance of inflammable materials from the surface **1.6 feet (0.5m)**.
- **DO NOT** attempt installation and/or operation without knowledge how to do so.
- **DO NOT** allow operation by persons who are not qualified to operate this type of fixture. Most damages are the result of operations by nonprofessionals.
- Consistent operational breaks may ensure the fixture will function properly for many years to come.
- **DO NOT** shake fixture, avoid brute force when installing and/or operating fixture.
- Always install the fixture with an appropriate safety cable. When installing the fixture in a suspended environment, always use mounting hardware that is no less than M10 x 25 mm, also be sure the hardware is insert in the pre-arranged screw holes in the bracket of the fixture.
- Use the original packaging and materials to transport the fixture in for service.
- **DO NOT TOUCH** the housing bare-hand during its operation. Turn OFF the power and allow approximately 15 minutes for the fixture to cool down before replacing or serving.



# FIXTURE OVERVIEW



- 1. Fuse
- 2. powerCON IN
- 3. MODE Button
- 4. UP Button
- 5. DOWN Button
- 6. ENTER Button
- 7. powerCON OUT
- 8. LCD Menu Display
- 9. 3pin DMX IN
- 10. 3pin DMX OUT
- 11. 5pin DMX IN
- 12. 5pin DMX OUT

## FIXTURE INSTALLATION



### FLAMMABLE MATERIAL WARNING

Keep fixture at least 5.0 ft (1.5m) away from any flammable materials, decorations, pyrotechnics, etc.



### ELECTRICAL CONNECTIONS

A qualified electrician should be used for all electrical connections and/or installations.



## CAUTIONS

- For added protection, mount the fixture in areas outside walking paths, seating areas, or in areas where unauthorized personnel might reach the fixture.
- Min/Max ambient operating temperature for this fixture is **5°F to 113°F (-15°C to 45°C)**. Do not use the fixture under or above this temperature.
- Before mounting the fixture to any surface, make sure the installation area can hold a minimum point load of 10 times the weight of the fixture. **180 lbs / 81 kg**
- Fixture installation must always be secured with a secondary safety attachment, such as an appropriate safety cable.
- Never stand directly below the device when mounting, removing or servicing.



## POWER LINKING

Max number of units that can be power linked is **5 units @110V** and **10 units @240V**.

## CLAMP MOUNTING

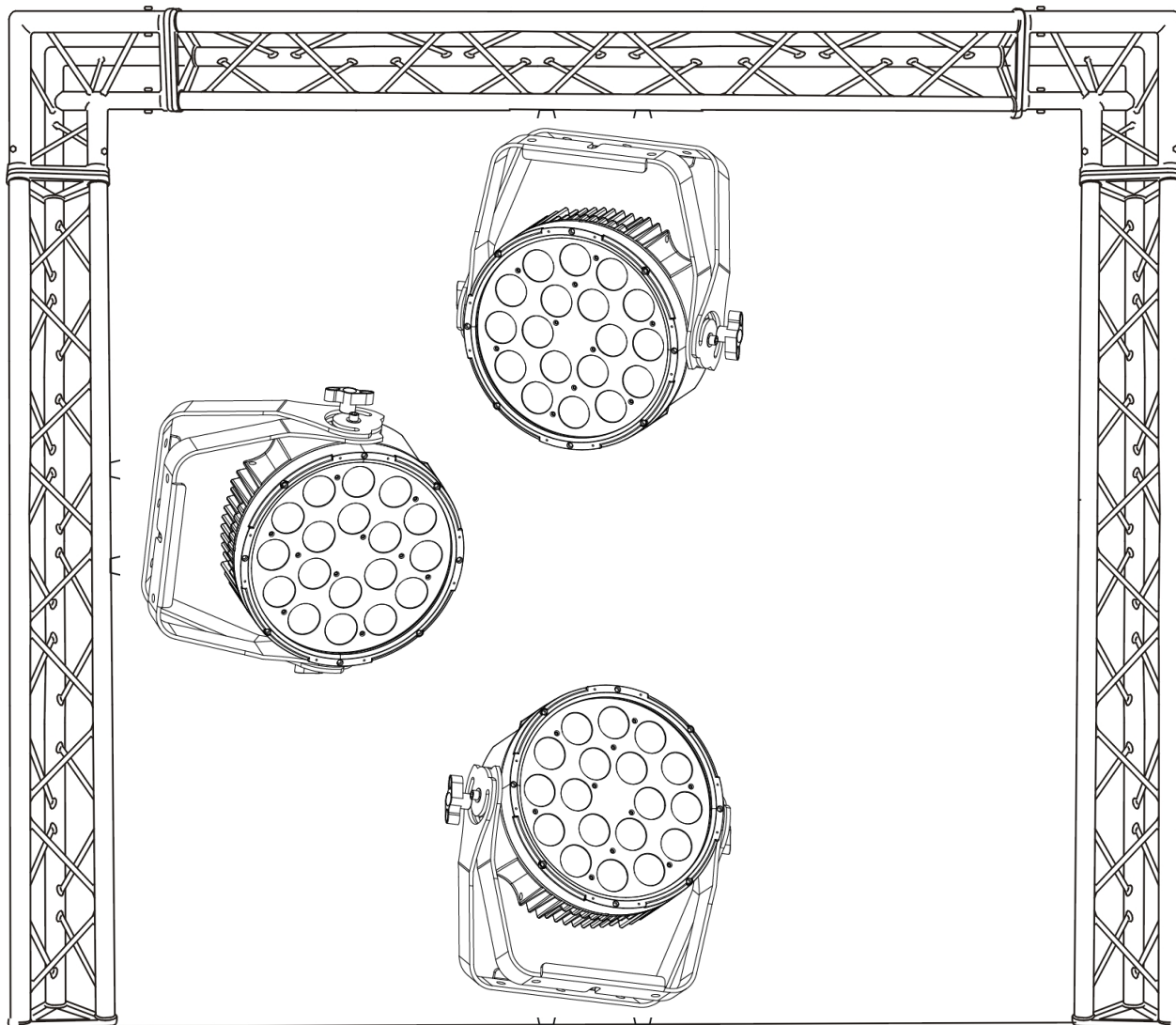
The **SIXPAR 300™** provides a unique integrated Dual Yoke / Floor Stand. When mounting this fixture to truss be sure to secure an appropriately rated clamp using an M10 screw fitted through the center hole of the Dual Yoke / Floor Stand.

## SECURING

Regardless of the rigging option you choose for your **SIXPAR 300™** always be sure to secure your fixture with a safety cable. The fixture provides a built-in rigging point for a safety cable on the hanging bracket as illustrated above. Be sure to only use the designated rigging point for the safety cable and never secure a safety cable to a carrying handle.

## MOUNTING POINTS

- Overhead mounting requires extensive experience, including amongst others calculating working load limits, installation material being used, and periodic safety inspection of all installation material and the device. If you lack these qualifications, do not attempt the installation yourself. Improper installation can result in bodily injury.
- Fixture is fully operational in the specific mounting positions as illustrated below.



## SAFETY CABLE

**Always use a Safety Cable whenever installing this fixture in a suspended environment to ensure the fixture will not drop if the clamp fails.**

## **UNDERSTANDING DMX**

### **DMX-512**

DMX is short for Digital Multiplex. This is a universal protocol used by most lighting and controller manufactures as a form of communication between intelligent fixtures and controllers. DMX allows all makes and models of different manufactures to be linked together and operate from a single controller. This is possible as long as all the fixtures and the controller are DMX compliant. A DMX controller sends the DMX data instructions to the fixture allowing the user to control the different aspects of an intelligent light. DMX data is sent out as serial data that travels from fixture to fixture via data "IN" and data "OUT" XLR terminals located on the fixtures (most controllers will only have output jacks).

### **DMX LINKING**

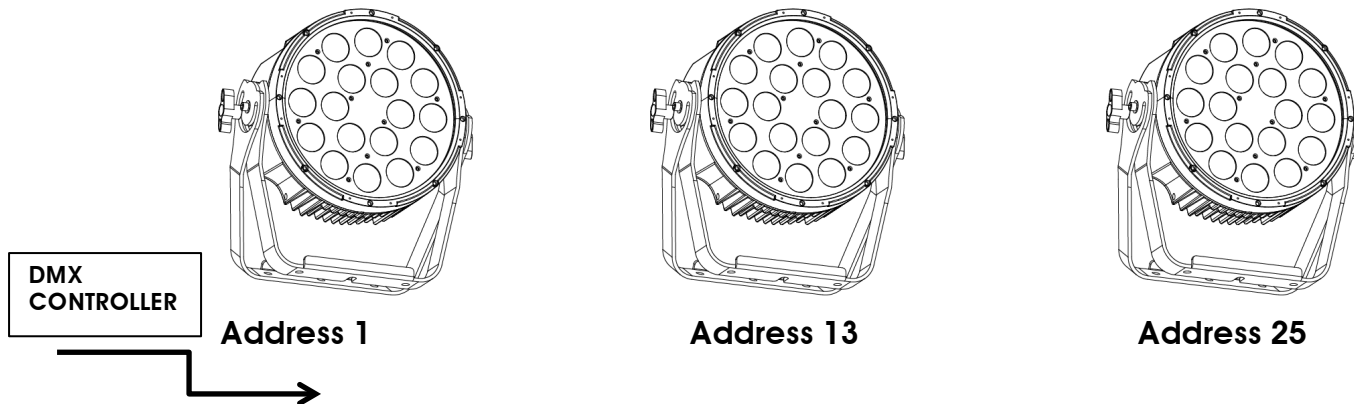
To ensure proper DMX data transmission, always use proper DMX cables and a terminator. When using several DMX fixtures try to use the shortest cable path possible. Never split a DMX line with a "Y" style connector. The order in which the fixtures are connected in a DMX line does not influence the DMX addressing. For example; a fixture assigned a starting DMX address of 1 may be placed anywhere in the DMX chain, at the beginning, at the end, or anywhere in the middle. The DMX controller knows to send data assigned to address 1 to that fixture no matter where it is located in the DMX chain. The **SIXPAR 300™** can be controlled via DMX-512 protocol and the DMX address is set via the control menu.

### **DATA CABLE (DMX Cable) REQUIREMENTS (For DMX and Master/Slave Operation)**

Your fixture and your DMX controller require a standard 3pin or 5pin XLR connector for data input and data output (see figure below). Also, remember that a DMX line must be daisy chained and cannot be split.

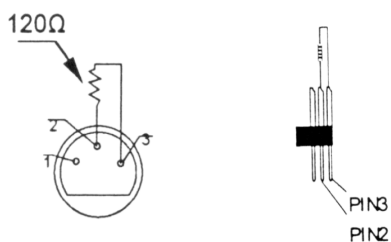
## DMX-512 CONTROLLER CONNECTION

Connect the provided XLR cable to the female XLR output of your controller and the other side to the male XLR input of the **SIXPAR 300™**. The diagram below illustrates a typical DMX-512 connection when the fixture is in the **12 Channel Mode**. You can chain multiple panels together through serial linking. Always be sure daisy chain your in and out data connections, never split or “Y” your DMX connections.



## DMX-512 CONNECTION WITH DMX TERMINATOR

A DMX terminator should be used in all DMX lines especially in longer runs. The use of a terminator may avoid erratic behavior in your DMX line. A terminator is a 120 ohm 1/4 watt resistor that is connected between pins 2 and 3 of a male XLR connector (DATA + and DATA -). This fixture is inserted in the female XLR connector of the last fixture in your daisy chain to terminate the line. Using a line terminator will decrease the possibilities of erratic behavior.



Termination reduces signal errors and avoids signal transmission problems and interference. It is always advisable to connect a DMX terminal, (Resistance 120 Ohm 1/4 W) between PIN 2 (DMX-) and PIN 3 (DMX +) of the last fixture.

## DMX ADDRESSING

All fixtures should be given a DMX starting address when using a DMX controller, so the correct fixture responds to the correct control signal. This digital starting address is the channel number from which the fixture starts to “listen” to the digital control information sent out from the DMX controller. The allocation of this starting DMX address is achieved by setting the correct DMX address on the digital display located on the back of the fixture.

You can set the same starting address for all fixtures or a group of fixtures, or set different address for each individual fixture. Be advised that setting all fixtures to the same DMX address will subsequently control all fixtures in the same fashion, in other words, changing the settings of one channel will affect all the fixtures simultaneously.

If you set each fixture to a different DMX address, each unit will start to “listen” to the channel number you have set, based on the quantity of control channels (DMX channels) of each fixture. That means changing the settings of one channel will only affect the selected fixture.

In the case of the **SIXPAR 300™**, when in the **12 Channel Mode** you should set the starting DMX address of the first unit to 1, the second unit to 13 (1 + 12), the third unit to 25 (13 + 12), and so on.

**Note:** During start-up the **SIXPAR 300™** will automatically detect whether a DMX data signal is being received or not. If the fixture is not receiving a DMX signal please check the following:

- The 3pin or 5pin XLR input plug (cable with DMX signal from controller) is not connected or is not inserted completely into the DMX input jack of the fixture.
- The DMX controller is switched off or defective.
- The DMX cable or connector is defective.
- A DMX terminator has been inserted into the last fixture in your DMX chain.

## FIXTURE MENU

### ON-BOARD SYSTEM MENU

The **SIXPAR 300™** comes with an easy to navigate system menu. The next sections will cover how to access each menu function.

### LCD CONTROL PANEL DISPLAY

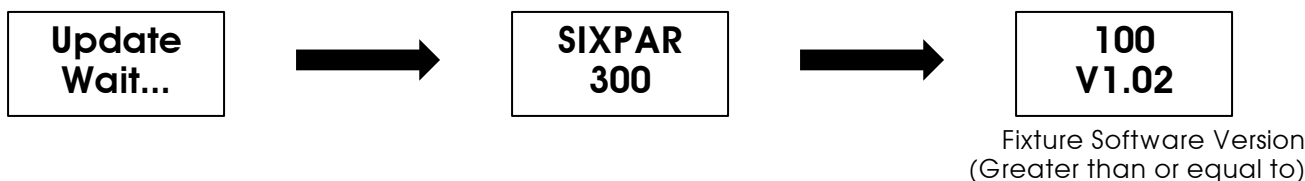
The (4) button control panel (see image below) located on back of the fixture allows you to access the main menu and make all necessary adjustments to the **SIXPAR 300™**.

During normal operation, pressing the **MODE** button will navigate through the different function menus. Once you reach a desired menu, press the **ENTER** button to select that menu. The variable field that can be adjusted within the selected menu will begin to flash. Using the **UP** or **DOWN** buttons, adjust the field until the desired value is displayed. For example, the **CHANNEL CH:** menu variable field can be set to **06, 07, 08,** or **12**. Pressing the **ENTER** button once will confirm your selected value. Exit at any time without making any adjustments by pressing the **MODE** button.



### INFORMATION DISPLAYED DURING INITIAL POWER ON

When the fixture is initially powered ON, the display shows the following information:



## LCD CONTROL PANEL LOCKOUT

When the **Display ON** menu is set to **OFF1**, the LCD display will turn OFF after 30 seconds and the (4) button Control Panel will be LOCKED. To unlock the (4) button LCD control panel follow these steps:

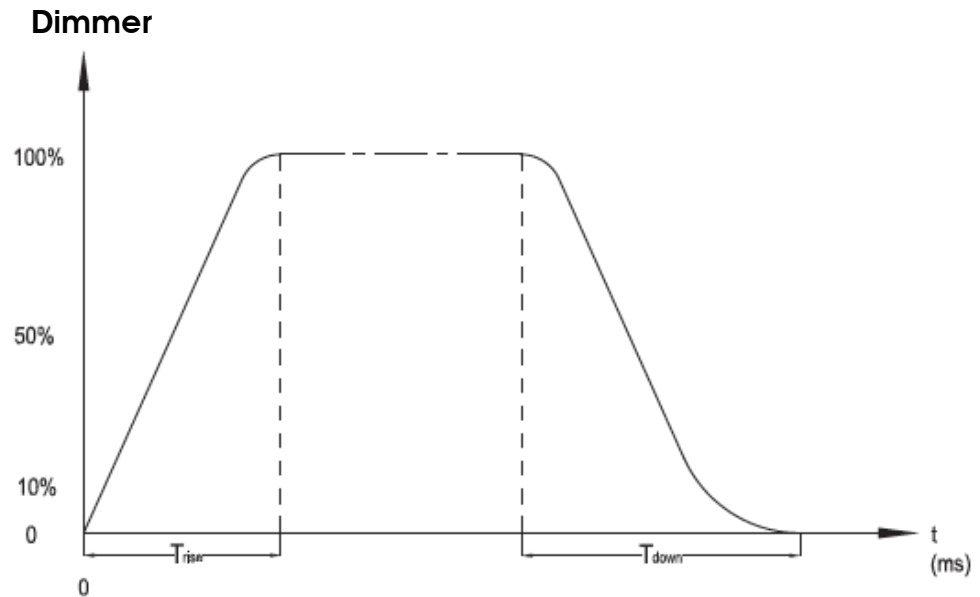
1. When locked, the display will show: **LOCKED\*\*\*\*\***
2. Press **UP**, then the display will change to: **LOCKED\*\*\*\*** (one \* disappears)
3. Press **DOWN**, then the display will change to: **LOCKED\*\*\*** (two \* disappear)
4. Press **UP**, then the display will change to: **LOCKED\*\*** (three \* disappear)
5. Press **DOWN**, then the display will change to: **LOCKED\*** (4 \* disappear)
6. Press **ENTER**, then the display will change to **LOCKED** and then become unlocked.

ELATION© SIXPAR 300™ SYSTEM MENU		
Specifications are subject to change without any prior written notice.		
MENU	OPTIONS / VALUES	DESCRIPTION
CHANNEL	CH: 06, 07, 08, 12	DMX Channel Mode
DMX MODE	ADDR: 001 ~ 512	DMX Address Setting
SLAVE MODE	SALVE MODE	Set Fixture A Slave Unit
Display ON	ON	LCD Display Always ON
	OFF	LCD Display OFF after 30 seconds
	OFF1	LCD Display OFF After 30 Seconds and LOCKED
Internal Programs	<b>1.MANUAL</b>	<b>Manual Color Adjustment</b>
	R00-99	Adjust RED Brightness (00-99)
	G00-99	Adjust GREEN Brightness (00-99)
	B00-99	Adjust BLUE Brightness (00-99)
	W00-99	Adjust WHITE Brightness (00-99)
	A00-99	Adjust AMBER Brightness (00-99)
	U00-99	Adjust UV Brightness (00-99)
	S00-99	Adjust STROBE SPEED 00 SLOW (0.1Hz) - 99 FAST (20Hz)
	<b>2.CHANGE</b>	<b>30 Color Chase Macro</b>
	SP01-99	Adjust SPEED 01 SLOW - 99 FAST
	S00-99	Adjust STROBE SPEED 00 SLOW (0.1Hz) - 99 FAST (20Hz)
	<b>3.CHANG6</b>	<b>6 Color Chase Macro</b>
	SP01-99	Adjust SPEED 01 SLOW - 99 FAST
	S00-99	Adjust STROBE SPEED 00 SLOW (0.1Hz) - 99 FAST (20Hz)
	<b>4.FADE</b>	<b>Color Fade Macro</b>
SP01-99	Adjust SPEED 01 SLOW - 99 FAST	
S00-99	Adjust STROBE SPEED 00 SLOW (0.1Hz) - 99 FAST (20Hz)	
DimCurve	Standard, Stage, TV, Architec, Theatre	Set Dimming Curve
NO DMX	Blackout	NO Output
	Hold	Hold Last Setting
	Fade	Fade



## DIMMING CURVES

The **DimCurve** menu allows you to select one of the following preset dimming curves: **Standard**, **Stage**, **TV**, **Architec**, or **Theatre**. (See diagram below for more details)



Ramp Effect	0  255 0S (Fade Time)		0  255 1S (Fade Time)	
	T <sub>rise</sub> (ms)	T <sub>down</sub> (ms)	T <sub>rise</sub> (ms)	T <sub>down</sub> (ms)
Standard	0	0	0	0
Stage	780	1100	1540	1660
TV	1180	1520	1860	1940
Architectural	1380	1730	2040	2120
Theatre	1580	1940	2230	2280

# DMX CHANNEL FUNCTIONS AND VALUES

ELATION® SIXPAR 300™					
DMX Channel Values / Functions (12 DMX Channels)					
Specifications are subject to change without any prior written notice.					
MODE / CHANNEL				VALUE	FUNCTION
6 CH	7 CH	8 CH	12 CH		
1	1	1	1		RED
				0-255	Red (0-100%)
2	2	2	2		GREEN
				0-255	Green (0-100%)
3	3	3	3		BLUE
				0-255	Blue (0-100%)
4	4	4	4		WHITE
				0-255	White (0-100%)
5	5	5	5		AMBER
				0-255	Amber (0-100%)
6	6	6	6		U. V.
				0-255	U. V. (0-100%)
	7	7	7		MASTER DIMMER
				0-255	Dimmer (0-100%)
		8	8		STROBE
				0-31	LED OFF (NO STROBE)
				32-95	Strobe Effect SLOW to FAST
				96-127	LED ON (NO STROBE)
				128-159	Strobe Pulse Effect In Sequences SLOW to FAST
				160-191	LED ON (NO STROBE)
				192-223	Random Strobe Effect SLOW to FAST
224-255	LED ON (NO STROBE)				

ELATION® SIXPAR 300™					
DMX Channel Values / Functions (12 DMX Channels)					
Specifications are subject to change without any prior written notice.					
MODE / CHANNEL				VALUE	FUNCTION
6 CH	7 CH	8 CH	12 CH		
					<b>COLOR MACROS</b>
				0-3	OFF
				4-7	RED
				8-11	GREEN
				12-15	BLUE
				16-19	WHITE
				20-23	AMBER
				24-27	UV
				28-31	RED + GREEN
				32-35	RED + BLUE
				36-39	RED + WHITE
				40-43	RED + AMBER
				44-47	RED + UV
				48-51	GREEN + BLUE
				52-55	GREEN + WHITE
				56-59	GREEN + AMBER
				60-63	GREEN + UV
				64-67	BLUE + WHITE
				68-71	BLUE + AMBER
			9	72-75	BLUE + UV
				76-79	WHITE + AMBER
				80-83	WHITE + UV
				84-87	AMBER + UV
				88-91	RED + GREEN + BLUE
				92-95	RED + GREEN + WHITE
				96-99	RED + GREEN + AMBER
				100-103	RED + GREEN + UV
				104-107	RED + BLUE + WHITE
				108-111	RED + BLUE + AMBER
				112-115	RED + BLUE + UV
				116-119	RED + WHITE + AMBER
				120-123	RED + WHITE + UV
				124-127	RED + AMBER + UV
				128-131	GREEN + BLUE + WHITE
				132-135	GREEN + BLUE + AMBER
				136-139	GREEN + BLUE + UV
				140-143	GREEN + WHITE + AMBER
				144-147	GREEN + WHITE + UV
				148-151	GREEN + AMBER + UV

ELATION® SIXPAR 300™					
DMX Channel Values / Functions (12 DMX Channels)					
Specifications are subject to change without any prior written notice.					
MODE / CHANNEL				VALUE	FUNCTION
6 CH	7 CH	8 CH	12 CH		
			9		<b>COLOR MACROS (continued)</b>
				152-155	BLUE + WHITE + AMBER
				156-159	BLUE + WHITE + UV
				160-163	BLUE + AMBER + UV
				164-167	WHITE + AMBER + UV
				168-171	RED + GREEN + BLUE + WHITE
				172-175	RED + GREEN + BLUE + AMBER
				176-179	RED + GREEN + BLUE + UV
				180-183	RED + GREEN + WHITE + AMBER
				184-187	RED + GREEN + WHITE + UV
				188-191	RED + GREEN + AMBER + UV
				192-195	RED + BLUE + WHITE + AMBER
				196-199	RED + BLUE + WHITE + UV
				200-203	RED + BLUE + AMBER + UV
				204-207	RED + WHITE + AMBER + UV
				208-211	GREEN + BLUE + WHITE + AMBER
				212-215	GREEN + BLUE + WHITE + UV
				216-219	GREEN + BLUE + AMBER + UV
				220-223	GREEN + WHITE + AMBER + UV
				224-227	BLUE + WHITE + AMBER + UV
				228-231	RED + GREEN + BLUE + WHITE + AMBER
				232-235	RED + GREEN + BLUE + WHITE + UV
				236-239	RED + GREEN + BLUE + AMBER + UV
			240-243	RED + GREEN + WHITE + AMBER + UV	
			244-247	RED + BLUE + WHITE + AMBER + UV	
			248-251	GREEN + BLUE + WHITE + AMBER + UV	
			252-255	RED + GREEN + BLUE + WHITE + AMBER + UV	
			10		<b>COLOR CHASE MACROS</b>
				00-20	NO Function
				21-40	30 Color Chase
				41-60	6 Color Chase
				61-80	Color Fade Chase
				81-255	NO Function
			11		<b>COLOR CHASE MACROS SPEED</b>
				00-255	Chase Speed of CHANNEL 10 - SLOW to FAST
			12		<b>DIMMING MODES</b>
				0-20	STANDARD
				21-40	STAGE
				41-60	TV
				61-80	ARCHITECTURAL
				81-100	THEATER
				101-255	NO Function

## CLEANING AND MAINTENANCE



**C A U T I O N**

**Disconnect power before cleaning or maintenance.**

### CLEANING

Frequent cleaning is recommended to insure proper function, optimized light output, and an extended life. The frequency of cleaning depends on the environment in which the fixture operates: damp, smoky or particularly dirty environments can cause greater accumulation of dirt on the fixture's optics.

- Clean the external lens surface at least every 20 days with a soft cloth to avoid dirt/debris accumulation. Never use alcohol, solvents, or ammonia based cleaners.

### MAINTENANCE

Regular inspections are recommended to insure proper function and extended life. There are no user serviceable parts inside this fixture, please refer all other service issues to an authorized Elation service technician. Should you need any spare parts, please order genuine parts from your local Elation dealer.

Please refer to the following points during routine inspections:

- A detailed electric check by an approved electrical engineer every 3 months, to make sure the circuit contacts are in good condition and prevent overheating.
- Be sure all screws and fasteners are securely tightened at all times. Loose screws may fall out during normal operation resulting in damage or injury.
- Check for any deformations on the housing, color lenses, rigging hardware and rigging points (ceiling, suspension, trussing). Deformations in the housing could allow for dust to enter into the fixture. Damaged rigging points or unsecured rigging could cause the fixture to fall and seriously injure a person(s).
- Inspect all moving parts and make sure there are no signs of wear and rotate/move without imbalances.
- Electric power supply cables must not show any damage, material fatigue or sediments. Never remove the ground prong from the power cable.

# TECHNICAL SPECIFICATIONS

## FEATURES

15° Beam 25° Field Angles  
5 Variable Dimming Curve Modes  
Dual Yoke / Floor Stand  
Multiple Unit Power Linking  
RDM - Remote Device Management  
Rugged Die-Cast Aluminum Exterior  
Flicker Free Operation for TV and FILM

## SOURCE

(18) 12W 6-in-1 RGBAW+UV LEDs  
100,000 Hour Average LED Life

## EFFECTS

Electronic Strobe  
Color and Chase Macros  
Electronic Dimming: 0% - 100%  
5 Variable Dimming Curve Modes

## CONTROL / CONNECTIONS

(4) DMX Channel Modes (6 / 7 / 8 / 12)  
(4) Button Touch Control Panel  
LCD Menu Display  
3pin & 5pin DMX and powerCON In/Out

## SIZE / WEIGHT

Length: 12.3" (313mm)  
Width: 4.9" (125mm)  
Vertical Height: 11.8" (300mm)  
Weight: 18.0 lbs. (8.1 kg)

## ELECTRICAL / THERMAL

AC 110-250V - 50/60Hz  
220W Max Power Consumption  
Power Linking: 5pcs @110V / 10pcs @240V  
5°F to 113°F (-15°C to 45°C)

## APPROVALS / RATINGS

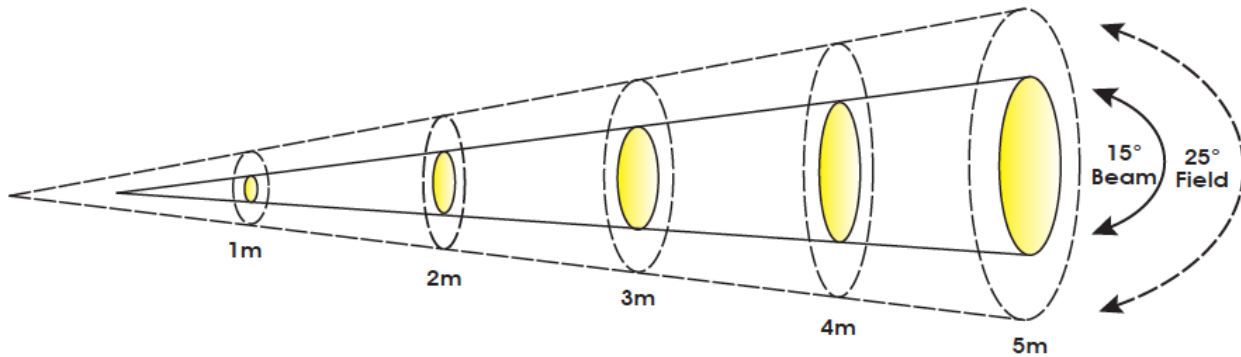
CE | IP20



**Intertek**

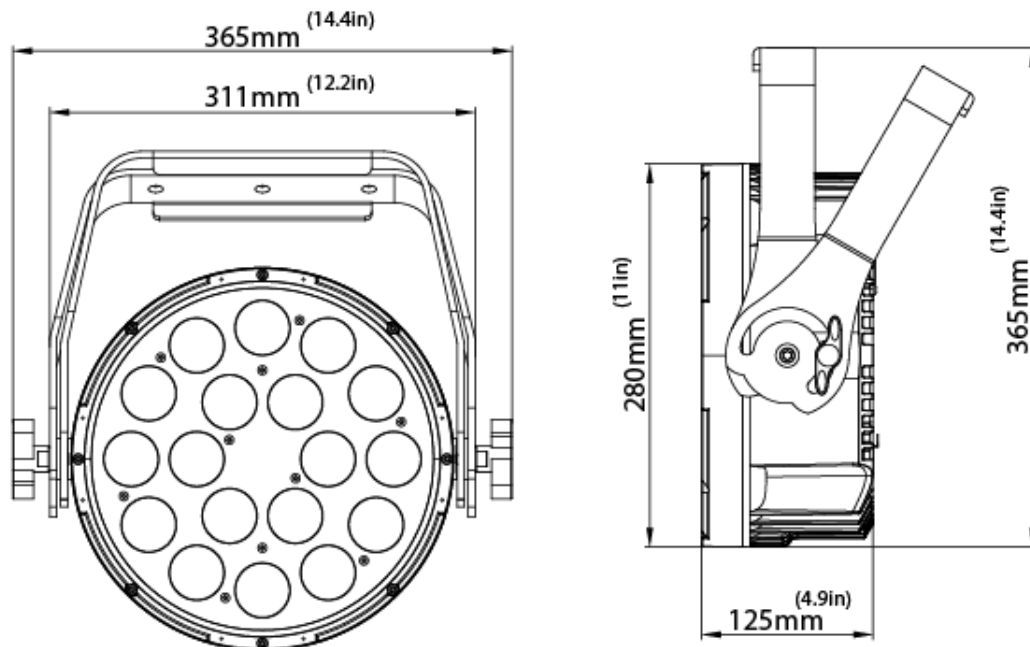
Please Note: Specifications and improvements in the design of this unit and this manual are subject to change without any prior written notice.

## PHOTOMETRIC DATA



Distance	m	ft	m	ft	m	ft	m	ft	m	ft
	1	3.3	2	6.6	3	9.8	4	13.1	5	16.4
15° Beam Diameter	0.4	1.3	0.64	2.1	0.85	2.8	1.05	3.4	1.32	4.3
25° Field Diameter	0.45	1.5	0.88	2.9	1.33	4.4	1.77	5.8	2.21	7.3
	lux	fc	lux	fc	lux	fc	lux	fc	lux	fc
RED LEDs	4,750	441	1,308	122	430	40	315	29	199	18
GREEN LEDs	8,400	780	2,170	202	1,000	93	554	51	360	33
BLUE LEDs	9,520	884	2,490	231	1,185	110	662	61	425	39
WHITE LEDs	10,860	1,009	2,930	272	1,363	127	753	70	491	46
AMBER LEDs	3,130	291	823	76	351	33	197	18	127	12
UV LEDs	1,920	178	510	47	240	22	131	12	85	8
FULL ON	24,500	2,276	8,500	790	3,950	367	2,150	200	1,350	125

## DIMENSIONAL DRAWINGS



Please Note: Specifications and improvements in the design of this unit and this manual are subject to change without any prior written notice.

## OPTIONAL ACCESSORIES

ORDER CODE	ITEM
TRIGGER CLAMP	Heavy Duty Wrap Around Hook Style Clamp
SIXPAR300/GFH	Gel Frame and Holder Kit
SIXPAR/BD300	Barn Door (Gel Frame Holder Kit Required - Not Included)
LSF536	Light Shaping Filter 30° 20" x 24" Sheet
LSF537	Light Shaping Filter 20° 20" x 22" Sheet
LSF538	Light Shaping Filter 60° x 1° 20" x 24" Sheet
LSF559	Light Shaping Filter 10° 20" x 24" Sheet
EWDMXSYSTEM	Wireless DMX System (1 Transmitter, 1 Receiver)
EWDMXT	Wireless DMX Transmitter
EWDMXR	Wireless DMX Receiver
PLC3	3' (1m) powerCON PRO Link Cable
PLC6	6' (1.8m) powerCON PRO Link Cable
AC3PDMX5PRO	5 ft. (1.5m) 3pin PRO DMX Cable
AC5PDMX5PRO	5 ft. (1.5m) 5pin PRO DMX Cable
	Additional Cable Lengths Available



