



Chroma-Q®
BRILLIANT SOLUTIONS

Specification Sheet - Version: 0.1
Chroma-Q® Color Force II 12 RGBA
Part No: CHCF212RGBA

DESCRIPTION

The Chroma-Q® Color Force II 12™ is part of the next-generation of solutions which take performance to an all-new level.

Using the very latest fully homogenised optics found in the popular Chroma-Q Color One 100™ product range, the Color Force II fixtures' output is a single, clean and pure beam of light, delivering a superior colour blend with no unsightly colour mixing shadows.

The homogenised optics and improved Chroma-Q technology provide even higher quality saturates and pastels, and a purer white with no skittles – all from a single source.

Factory calibration ensures all Color Force II units are colour matched, so side by side they will be outputting the exact same colour.

The new models also provide more creative control, with twice as many light engines accommodated within the same fixture lengths – providing independently controllable cells every 3 inches.

FEATURES

- Up to 50% brighter compared to predecessors
- Homogenised output – superior colour blend & no unsightly colour-mixing shadows
- Even more creative control – twice as many light engines
- Theatrical grade dimming
- Practical, user friendly design
- Superior unit-to-unit consistency
- Optional internal LumenRadio
- Chroma-Q's proven LED performance
- Touchscreen user interface

ORDERING INFORMATION

CHCF212RGBA: Chroma-Q Color Force II 12 RGBA
CHCF212RGBALR: Chroma-Q Color Force II 12 RGBA w LumenRadio Installed

ACCESSORIES

- CHCFZH12: Zip Hood for Color Force 12
- CHCFBL12: Border Lens for Color Force 12
- CHCFCL12: Cyc Lens for Color Force 12
- CHCFECL12: Egg Crate Louvre for Color Force 12 - Black
- CHCFH12: Half Top Hat for Color Force 12 - Black
- CHCFBD12: Barndoor for Color Force 12 - Black
- CHCFTH12: Top Hat for Color Force 12 - Black

OVERALL SPECIFICATIONS

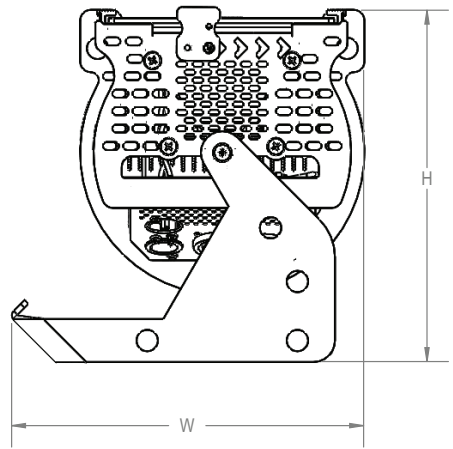
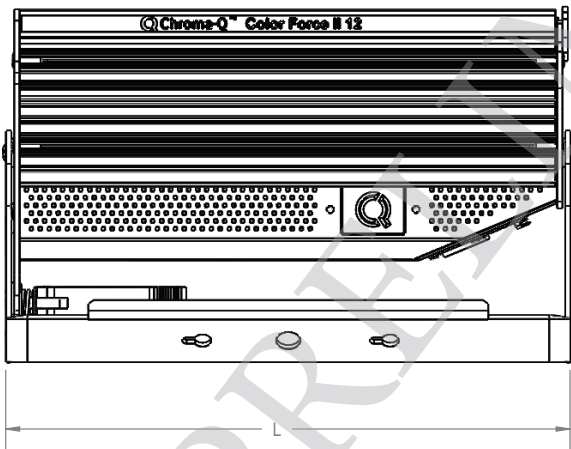
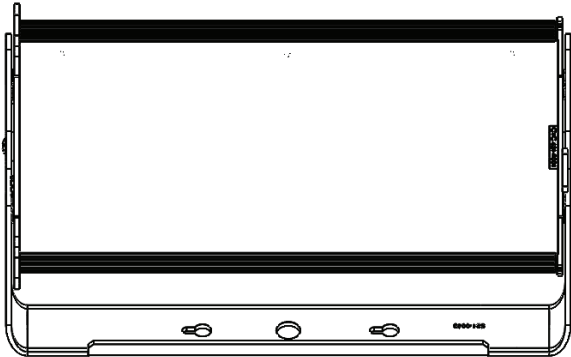
| | |
|-----------------------------------|---|
| Net Dimensions (without fixings): | Length: 335mm / 13.2" Width: 218mm / 8.6" Height: 190mm / 7.5" |
| Net Weight: | 5kg / 11.2lb |
| Shipping Dimensions: | Length: 432mm / 17" Width: 279mm / 11" Height: 343mm / 13.5" |
| Shipping Weight: | 7kg / 15.5lb |
| Power Supply: | Built-in |
| Power Input Rating: | 100-240V AC 50-60Hz 160VA |
| Power Consumption: | 133W |
| Typical Power & Current: | Measurements done with all LEDs at maximum intensity. Measurements made at nominal voltage. Allow for a deviation of +/- 10% |
| Power Connectors In/Out: | Neutrik powerCON TRUE1 |
| Data Connectors In/Out: | Neutrik XLR 5-pin |
| Max Fixtures in Series: | 12 x fixtures @110V, 22 x Fixtures @220V |
| Control Protocol: | ANSI E1.11 USITT DMX 512-A |
| Cooling System: | Forced |
| Operating Temperature: | 0°C to 40°C |
| Construction: | Anodised aluminium extrusion |
| Colour: | Black |
| Built-In Hardware: | Quick release lever for tilt adjustment |
| IP Rating: | IP20 |
| Control Modes: | RGBA, RGB, HSI, Look Sel, Master, x4, x2, x1, Odd /Even |
| Dimming Curve: | Theatrical |
| Variable Effects Engine: | Strobe, Strobe on Top, Strobe Random |
| Hot Lumen Output (Combined): | 3,100 lm |
| Optics: | Fully homogenised lenses |
| Beam Angle: | 22° (approx.) |
| Beam Distribution: | Asymmetrical direct illumination |
| CCT: | Adjustable 1,000 - 10,000K |
| Colour Gamut: | Performance enhanced |
| CRI: | 92 |
| Lamp Life: | L70 at 50,000 hours |
| Approvals: | CISPR 22 :2006/EN55022 :2006 & CISPR 24 :1997/EN55024 :1998, ICES-003 :2004 & FCC Part 15 Subpart B: 2007, CSA C22. No. 166-M1983:R2008 UL 1573:2003; UL 8750 |



Chroma-Q[®]
BRILLIANT SOLUTIONS

Specification Sheet - Version: 0.1
Chroma-Q[®] Color Force II 12 RGBA
Part No: CHCF212RGBA

DIMENSIONS



Chroma-Q and all associated product names are recognised trademarks, for more information visit www.chroma-q.com/trademarks. The rights and ownership of all trademarks are recognised. Whilst every effort has been made to ensure that the information is correct, Chroma-Q accepts no liability for errors or omissions. Technical specifications and data are provided for guidance only. Because we constantly aim to improve our products, we reserve the right to amend or alter at any time and without prior notice, the specifications of any product. E&OE.