

## Wildfire

# Long-Throw™ 400 Series 3

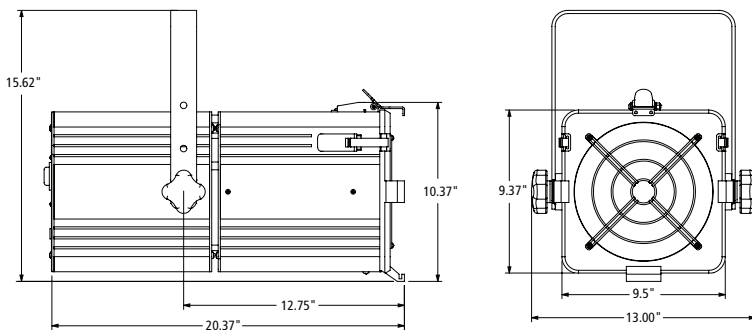
## 400 Watt Metal Halide Ultraviolet Lighting Fixtures

The LT-400 Series 3 is the flagship of Wildfire's Long-Throw line of professional UV lighting fixtures. With throw distances in excess of 120' this powerhouse series produces up to 13,000  $\mu\text{W}/\text{cm}^2$  of true 365nm black light! In terms of pure output, durability and performance, no other UV lighting fixture comes close! Standard features include, versatile interchangeable reflectors, advanced air cooling, smart electronic ballasting, and Intelligent DMX control.



### Features:

- Versatile Interchangeable Reflectors
- Smart Electronic Ballasting
- Intelligent Dmx Control / Status Monitoring
- Hinged Lens Door for Easy Lamp Access
- Safety Cutoff Switch for Safe Re-lamping
- Heavy Duty Extruded Aluminum Construction
- Stainless Steel Hardware
- Made in the USA



### Specifications:

Housing:	6063 extruded aluminum with stainless steel hardware
Finish:	Flat black powder coat
Mounting:	Fully adjustable yoke with three height positions
Reflector:	Spun, peened aluminum, Alzak coated 20° 50° 90°
Lenses:	8" Round tempered borosilicate UV-A filter glass 8" Round tempered borosilicate clear glass
Peak Output:	350 - 365nm
Lamp:	Wildfire 400 watt IronArc® metal halide model LMP-400D
Lamp Life:	1000Hr.
Burn Position:	+/- 10°
Power Connection:	Neutrik PowerCON
Power Cord:	9' 14/3 SOW with PowerCON in and male Edison
DMX Connection:	Amphenol Gold, 5-pin XLR Male, 5-pin XLR Female
Ballast:	UL Listed electronic Smart Ballast, power factor > 92%
Rating:	100 or 120 VAC / 50-60 Hz. / 4.5A Max / 400W 200-240 VAC / 50-60 Hz. / 2.0A Max / 400W
Circuit Protection:	5 or 7 Amp hydraulic magnetic breaker switch
Accessory Bracket:	10" / 25.4cm
Weight:	100V or 120V Models: 35.25 lbs. / 15.98 kg. 200-240V Models: 29.30 lbs. / 13.29 kg.
Warranty:	Three years parts & labor

### Standard Equipment:

- 139-003 | 400W IronArc Lamp
- 147-020 | Quick Trigger Clamp
- 147-002 | Safety Cable

### Optional Accessories:

- 146-002 | 10" Barn Doors
- 145-002 | 10" DMX Iris
- 147-008 | Floor Stand
- 125-008-01 | 20° Spot Reflector
- 125-009-01 | 50° Wide Spot Reflector
- 125-010-01 | 90° Flood Reflector

### Ordering Example: (Select item from each box)

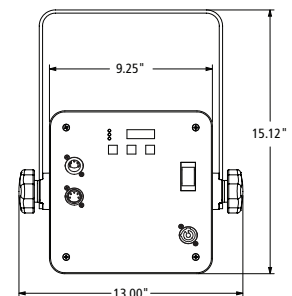
Model	Wattage	Reflector	Electrical	Series
<b>LT</b>	<b>400</b>			<b>3</b>

#### Reflector

- F - Flood
- WS - Wide Spot
- S - Spot

#### Electrical

- 1 - 120VAC / 50-60Hz
- 2 - 200-240VAC / 50-60Hz
- 3 - 100VAC / 50-60Hz



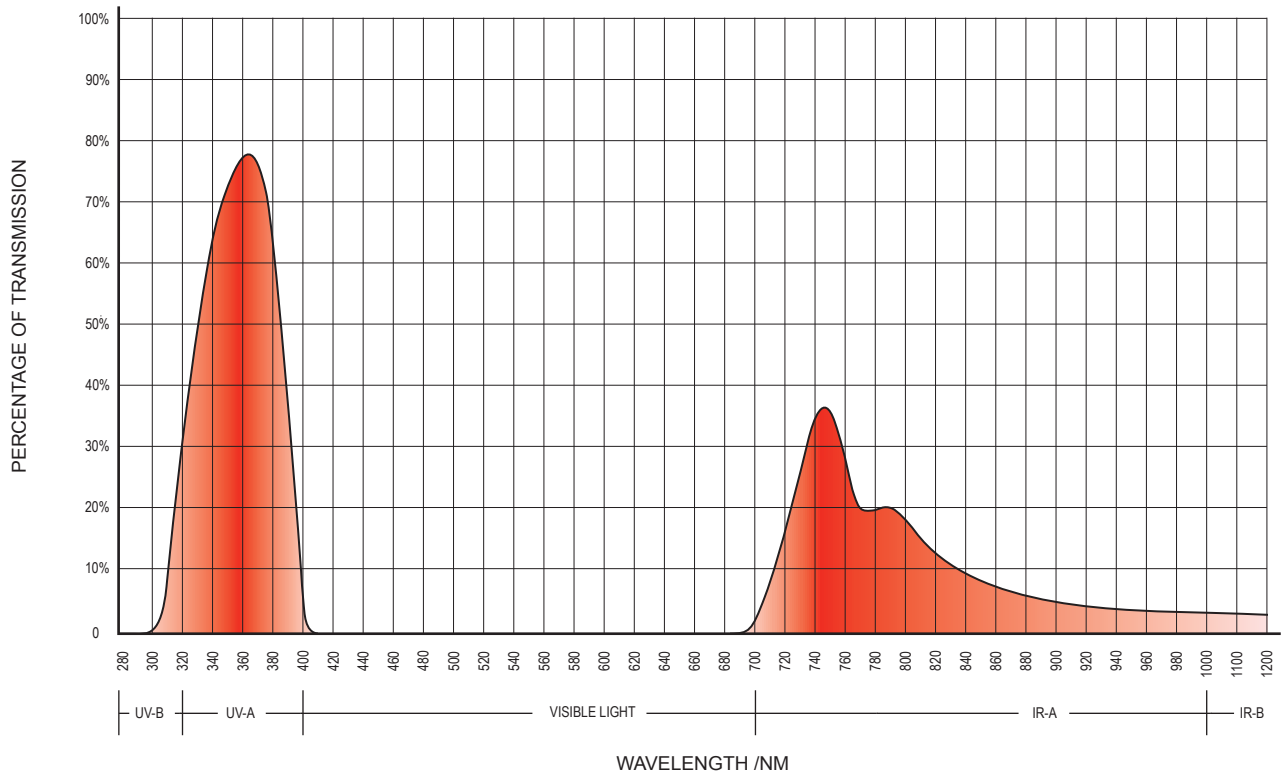
Project	Approval / Date
Location	Fixture Type



## Wildfire Lighting & Visual Effects

2908 Oregon Ct. Ste. G1 Torrance, California 90503 USA 310.645.7787 800.937.8065 fax 310.645.9009 www.wildfirefx.com mail@wildfirefx.com

### Spectral Output Graph:



### Photometrics Chart:

#### Model LT-400 with 20° Spot Reflector

Distance in Feet/Meters

	5 / 1.52	10 / 3.05	20 / 6.10	30 / 9.14	40 / 12.19	50 / 15.24	60 / 18.29	70 / 21.33	80 / 24.38	90 / 27.43	100 / 30.48	110 / 33.53	120 / 36.57
Beam Diameter Feet	1.80	3.50	7.10	10.60	14.10	17.60	21.20	24.70	28.20	31.70	35.30	38.80	42.30
Beam Diameter Meters	.55	1.07	2.16	3.23	4.30	5.36	6.46	7.53	8.59	9.66	10.76	11.83	12.89
Peak UV-A Intensity $\mu\text{W}/\text{cm}^2$	1110.0	277.5	69.3	30.8	17.3	11.1	7.7	5.6	4.3	3.4	2.7	2.29	1.9

#### Model LT-400 with 50° Wide Spot Reflector

Distance in Feet/Meters

	5 / 1.52	10 / 3.05	20 / 6.10	30 / 9.14	40 / 12.19	50 / 15.24	60 / 18.29	70 / 21.33	80 / 24.38	90 / 27.43	100 / 30.48
Beam Diameter Feet	4.70	9.30	18.70	28.00	37.30	46.60	56.00	65.30	74.60	83.90	93.30
Beam Diameter Meters	1.43	2.83	5.70	8.53	11.37	14.20	17.07	19.90	22.74	25.57	28.44
Peak UV-A Intensity $\mu\text{W}/\text{cm}^2$	945.0	236.2	59.0	26.2	14.7	9.4	6.5	4.8	3.6	2.9	2.3

#### Model LT-400 with 90° Flood Reflector

Distance in Feet/Meters

	5 / 1.52	10 / 3.05	20 / 6.10	30 / 9.14	40 / 12.19	50 / 15.24	60 / 18.29
Beam Diameter Feet	10.00	20.00	40.00	60.00	80.00	100.00	120.00
Beam Diameter Meters	3.05	6.10	12.19	18.29	24.38	30.48	36.57
Peak UV-A Intensity $\mu\text{W}/\text{cm}^2$	510.0	77.0	19.2	8.5	4.8	3.0	2.1



### Wildfire Lighting & Visual Effects

2908 Oregon Ct. Ste. G1 Torrance, California 90503 USA 310.755.6780 800.937.8065 fax 310.755.6781 www.wildfirefx.com mail@wildfirefx.com