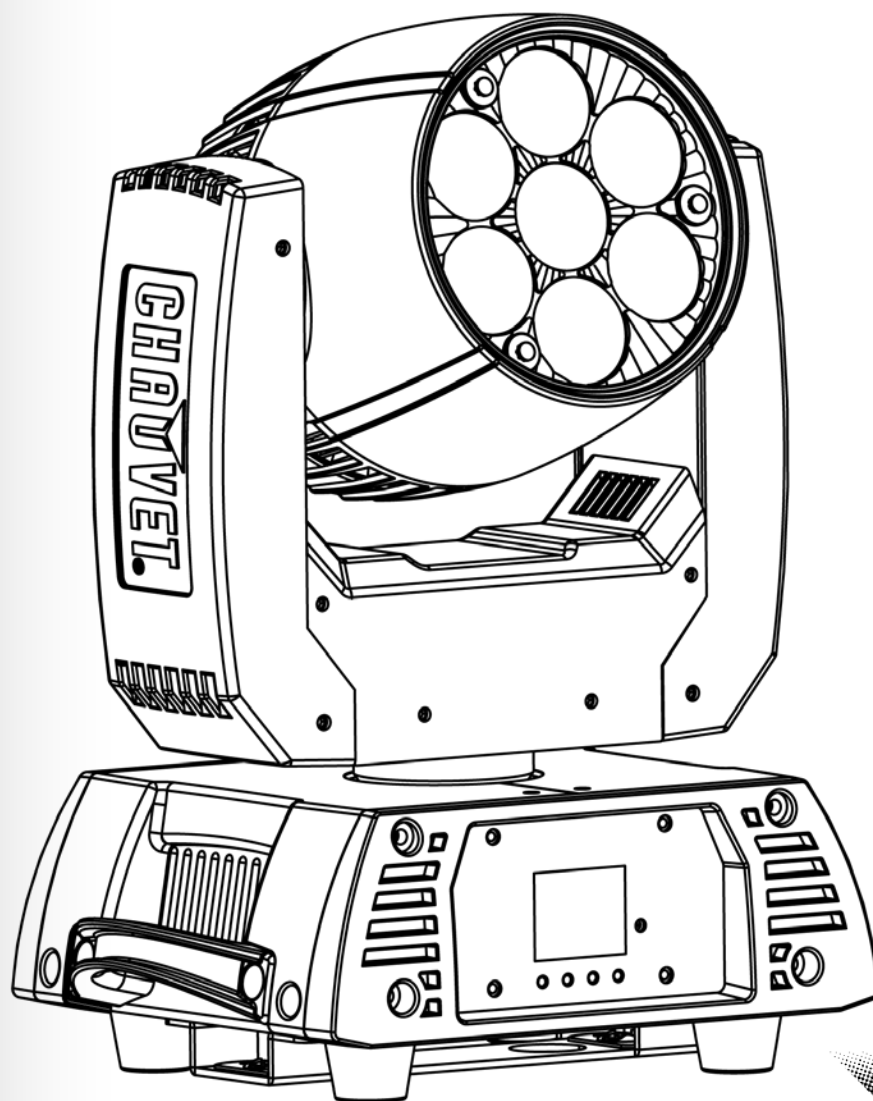


ROGUE™



User Manual



CHAUVET[®]
PROFESSIONAL

Edition Notes The Rogue™ R1 Wash User Manual Rev. 2 covers the description, safety precautions, installation, programming, operation, and maintenance of the Rogue™ R1 Wash. Chauvet released this edition of the Rogue™ R1 Wash User Manual in February 2015.

Trademarks CHAUVET® is a registered trademark of CHAUVET & Sons Inc. (d/b/a CHAUVET® or Chauvet). The CHAUVET® logo in its entirety including the CHAUVET® name and the dotted triangle, and all other trademarks in this manual pertaining to services, products, or marketing statements are owned or licensed by CHAUVET®. Any other product names, logos, brands, company names, and other trademarks featured or referred to within this document are the property of their respective trademark holders.

Copyright Notice Chauvet owns the content of this User Manual in its entirety, including but not limited to pictures, logos, trademarks, and resources.

© **Copyright 2015 Chauvet. All rights reserved.**

Electronically published by Chauvet in the United States of America.

Manual Use Chauvet authorizes its customers to download and print this manual for professional information purposes only. Chauvet expressly prohibits the usage, copy, storage, distribution, modification, or printing of this manual or its content for any other purpose without written consent from Chauvet.

Document Printing For better results, print this document in color, on letter size paper (8.5 x 11 in), double-sided. If using A4 paper (210 x 297 mm), configure your printer to scale the content accordingly.

Intended Audience Any person in charge of installing, operating, and/or maintaining this product should completely read through the guide that shipped with the product, as well as this manual, before installing, operating, or maintaining this product.

Disclaimer Chauvet believes that the information contained in this manual is accurate in all respects. However, Chauvet assumes no responsibility for any errors or omissions in this document. Chauvet reserves the right to revise and make changes to the content of this document without obligation that Chauvet notify any person or company of such revision or changes. This does not in any way constitute a commitment by Chauvet to make such changes. Chauvet may issue a revision of this manual or a new edition to incorporate such changes.

Document Revision The Rogue™ R1 Wash User Manual Rev. 2 supersedes all previous versions of this manual. Discard any older versions of this manual and replace with this version. Go to www.chauvetprofessional.com for the latest version.

Author	Date	Editor	Date
D. Coupepe	2/26/14	M. Trouard	4/9/15

Table of Contents

- 1. Before You Begin 1**
 - What Is Included 1
 - Claims 1
 - Manual Conventions 1
 - Symbols 1
 - Product At A Glance 2
 - Safety Notes 2
 - Personal Safety 2
 - Mounting And Rigging 2
 - Power And Wiring 2
 - Operation 2
- 2. Introduction 3**
 - Description 3
 - Features 3
 - Overview 4
 - Dimensions 5
- 3. Setup 6**
 - AC Power 6
 - AC Plug 6
 - Fuse Replacement 6
 - Power Linking 6
 - DMX Linking 6
 - DMX Personalities 6
 - Mounting 7
 - Orientation 7
 - Rigging 7
 - Procedure 7
- 4. Operation 8**
 - Control Panel Description 8
 - Control Options 8
 - Programming 8
 - Menu Map 9
 - Menu Map (Cont.) 10
 - Address 11
 - Set the DMX Address 11
 - Run Mode 11
 - DMX Personality 11
 - Auto Test 11
 - Manual Test 11
 - Setup 12
 - Pan Reverse 12
 - Tilt Reverse 12
 - Pan Angle 12
 - Tilt Angle 12
 - Fans 12
 - Display 12
 - Screen Reverse 12
 - Dimmer Curve 12
 - Dimmer Speed 12
 - Color Calibration 12
 - Reset Function 13
 - Factory Reset Function 13
 - System Information 13

Offset Mode	13
Pan.....	13
Tilt	13
DMX Values	14
DMX Values (Cont.).....	15
DMX Values (Cont.).....	16
DMX Values (Cont.).....	17
DMX Values (Cont.).....	18
DMX Values (Cont.).....	19
DMX Values (Cont.).....	20
DMX Values (Cont.).....	21
DMX Values (Cont.).....	22
DMX Values (Cont.).....	23
DMX Values (Cont.).....	24
DMX Values (Cont.).....	25
5. Technical Information	26
Product Maintenance.....	26
6. Technical Specifications.....	27
Returns	28
Contact Us	28

1. BEFORE YOU BEGIN




- What Is Included**
- Rogue™ R1 Wash
 - Neutrik® powerCON® power cord
 - Omega bracket with mounting hardware
 - Warranty Card
 - Quick Reference Guide

Claims Carefully unpack the product immediately and check the box to make sure all the parts are in the package and are in good condition. If the box or the contents (the product and included accessories) appear damaged from shipping or show signs of mishandling, notify the carrier immediately, not Chauvet. Failure to report damage to the carrier immediately may invalidate your claim. In addition, keep the box and contents for inspection. For other issues, such as missing components or parts, damage not related to shipping, or concealed damage, file a claim with Chauvet within 7 days of delivery.

Manual Conventions

Convention	Meaning
1–512	A range of values in the text
50/60	A set of mutually exclusive values in the text
<SET>	A button on the product’s control panel
Settings	A product function or a menu option
MENU>Settings	A sequence of menu options
1–10	A range of menu values from which to choose in a menu
Yes/No	A set of two mutually exclusive menu options in a menu
ON	A unique value to be entered or selected in a menu

Symbols

Symbols	Meaning
	Critical installation, configuration, or operation information. Failure to comply with this information may cause the product not to work, damage third-party equipment, or cause harm to the operator.
	Important installation or configuration information. Failure to comply with this information may keep the product from working.
	Useful information.



The term “DMX” used throughout this manual refers to the USITT DMX512-A digital data transmission protocol.

Product At A Glance	Use on Dimmer	X	Auto Programs	X
	Outdoor Use	X	Auto-Ranging Power Supply	P
	Sound-Activated	X	Replaceable Fuse	P
	DMX	P	User-Serviceable	X
	Master/Slave	X		

Safety Notes

Read all the following Safety Notes before working with this product. These notes include important information about the installation, usage, and maintenance of this product.



This product contains no user-serviceable parts. Any reference to servicing in this User Manual will only apply to properly trained Chauvet certified technicians. Do not open the housing or attempt any repairs.



All applicable local codes and regulations apply to proper installation of this product.

Personal Safety

- Avoid direct eye exposure to the light source while the product is on.
- Always disconnect this product from its power source before servicing.
- Always connect this product to a grounded circuit to avoid the risk of electrocution.
- Do not touch this product's housing during operation because it may be very hot.

Mounting And Rigging

- This product is for indoor use only! To prevent risk of fire or shock, do not expose this product to rain or moisture. (IP20)
- CAUTION: When transferring product from extreme temperature environments, (e.g. cold truck to warm humid ballroom) condensation may form on the internal electronics of the product. To avoid causing a failure, allow product to fully acclimate to the surrounding environment before connecting it to power.

Power And Wiring

- Mount this product in a location with adequate ventilation, at least 20 in (50 cm) from adjacent surfaces.
- Make sure there are no flammable materials close to this product while it is operating.
- Always carry this product by the handles. Do not carry from the head.
- When hanging this product, always secure to a fastening device using a safety cable.
- Always make sure you are connecting this product to the proper voltage in accordance with the specifications in this manual or on the product's specification label.
- Never connect this product to a dimmer pack or rheostat.
- Never disconnect this product by pulling or tugging on the power cable.

Operation

- Do not operate this product if you see damage to the housing, lenses, or cables. Have the damaged parts replaced by an authorized technician at once.
- To eliminate unnecessary wear and improve its lifespan, during periods of non-use completely disconnect the product from power via breaker or by unplugging it.
- Do not cover the ventilation slots when operating to avoid internal overheating.
- Do not aim this product toward the Sun. The lenses could concentrate the solar energy and cause internal overheating.
- The maximum ambient temperature is 113 °F (45 °C). Do not operate this product at a higher temperature.
- In case of a serious operating problem, stop using this product immediately!



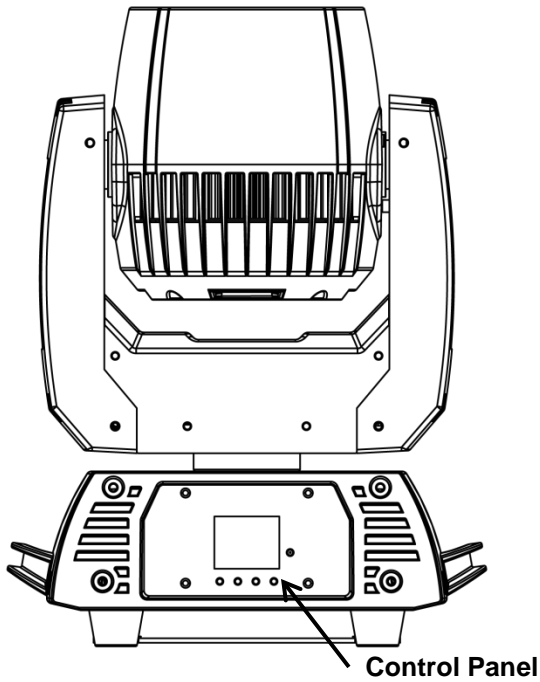
In the unlikely event that your Chauvet product may require service, contact Chauvet Technical Support.

2. INTRODUCTION

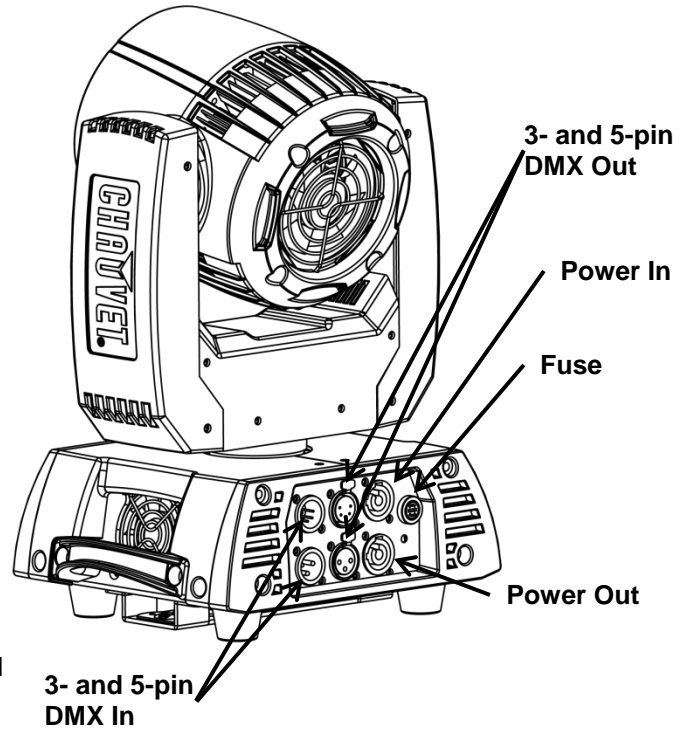
Description The Rogue™ R1 Wash is a compact, electronic, moving yoke product equipped with 7 quad-color RGBW 15-watt LEDs. Rogue™ R1 Wash is a powerful wash product that features smooth pan and tilt operation, an 11° to 48° zoom range, and a unique lens system that gives you an even, professionally combined color wash.

- Features**
- DMX Channels: 14, 15, 19 or 21
 - Pan: 540°
 - Tilt: 230°
 - 7 RGBW LEDs, 15 W each
 - 3- and 5-pin DMX input/output connections
 - Unique lens design for excellent color blending
 - Fast, smooth pan and tilt movement
 - 6 distinct dimming modes
 - Omega mounting bracket, fits all Rogue™, Next™, and Legend™ fixtures
 - Easy to read OLED display with simple, effective menu options
 - Simple and complex DMX channel profiles for programming versatility
 - Reset over DMX

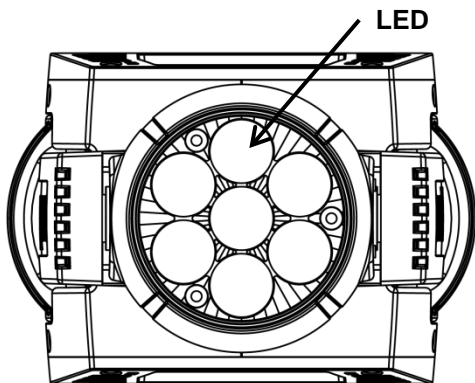
Overview



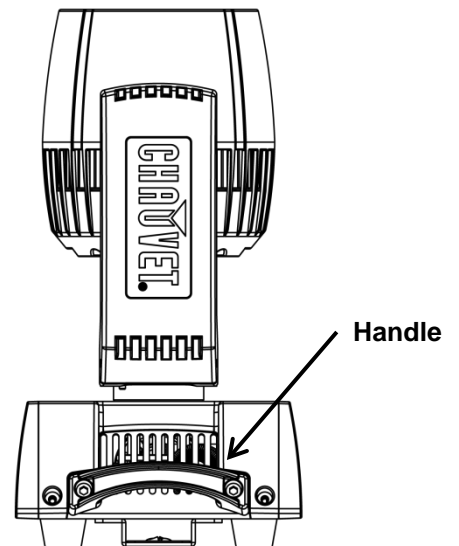
Front View



Rear View

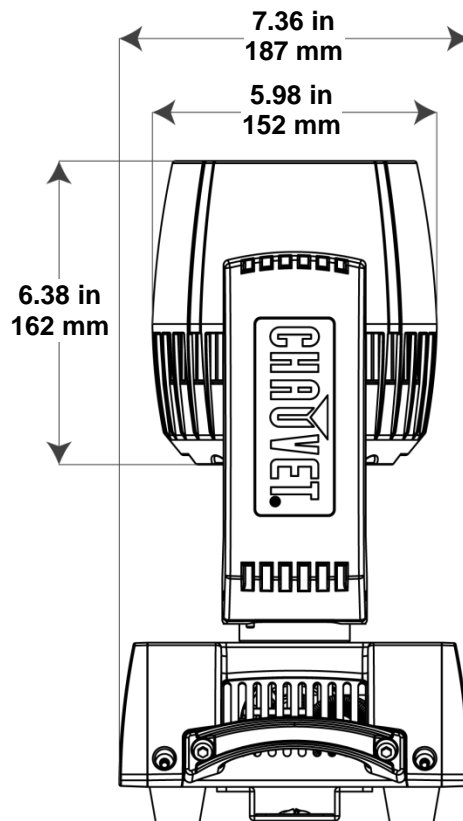
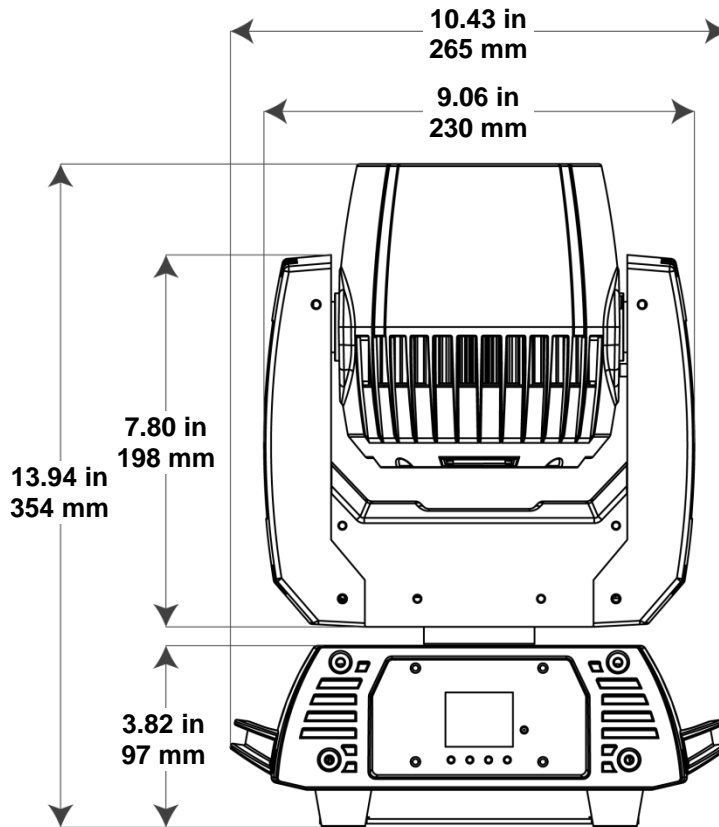


Top View



Side View

Dimensions



3. SETUP

AC Power

Each Rogue™ R1 Wash has an auto-ranging power supply that works with an input voltage range of 100 to 240 VAC, 50/60 Hz. To determine the power requirements for each Rogue™ R1 Wash, refer to the label affixed to the product. You can also refer to the [Technical Specifications](#) chart in this manual.

The listed current rating indicates the maximum current draw during normal operation. For more information, you may download Sizing Circuit Breakers from the Chauvet website: www.chauvetprofessional.com.



- **Always connect this product to a protected circuit with an appropriate electrical ground to avoid the risk of electrocution or fire.**
- **To eliminate unnecessary wear and improve its lifespan, during periods of non-use completely disconnect the product from power via breaker or by unplugging it.**



Never connect this product to a rheostat (variable resistor) or dimmer circuit, even if the rheostat or dimmer channel serves only as a 0 to 100% switch.

AC Plug

The Rogue™ R1 Wash comes with a power input cord terminated with a Neutrik® powerCON® A connector on one end and an Edison plug on the other end (U.S. market). If the power input cord that came with your product has no plug, or if you need to change the Edison plug, use the table below to wire the new plug.

Connection	Wire (U.S.)	Wire (Europe)	Screw Color
AC Live	Black	Brown	Yellow or Brass
AC Neutral	White	Blue	Silver
AC Ground	Green/Yellow	Green/Yellow	Green

Fuse Replacement

1. Disconnect this product from the power outlet.
2. Using a flat-head screwdriver, unscrew the fuse holder cap from the housing.
3. Remove the blown fuse and replace with another fuse of the same type and rating (F 4 A, 250 V).
4. Screw the fuse holder cap back in place and reconnect power.



Make sure to disconnect the product's power cord before replacing a blown fuse. Always replace the blown fuse with another of the same type and rating.

Power Linking

The Rogue™ R1 Wash supports power linking. You can power link up to 10 products at 120 V; up to 18 at 208 V; or up to 21 at 230 V.

This product comes with a power input cord. Power linking cables are available from Chauvet for purchase.

DMX Linking

You can link the Rogue™ R1 Wash to a DMX controller using a 3- or 5-pin DMX connection. If using other DMX-compatible products with the Rogue™ R1 Wash, you can control each individually with a single DMX controller.

DMX Personalities

The Rogue™ R1 Wash uses a 3- or 5-pin DMX data connection for the 14, 15, 19 or 21-channel DMX personalities.

- Refer to the [Introduction](#) chapter for a brief description of each DMX personality.
- Refer to the [Operation](#) chapter to learn how to configure the Rogue™ R1 Wash to work in these personalities.
- The [DMX Values](#) section provides you with detailed information regarding the DMX personalities.



If you are not familiar with or need more information about DMX standards, Master/Slave connectivity, or the DMX cables needed to link this product to a DMX controller, download the DMX Primer from the Chauvet website: www.chauvetprofessional.com.

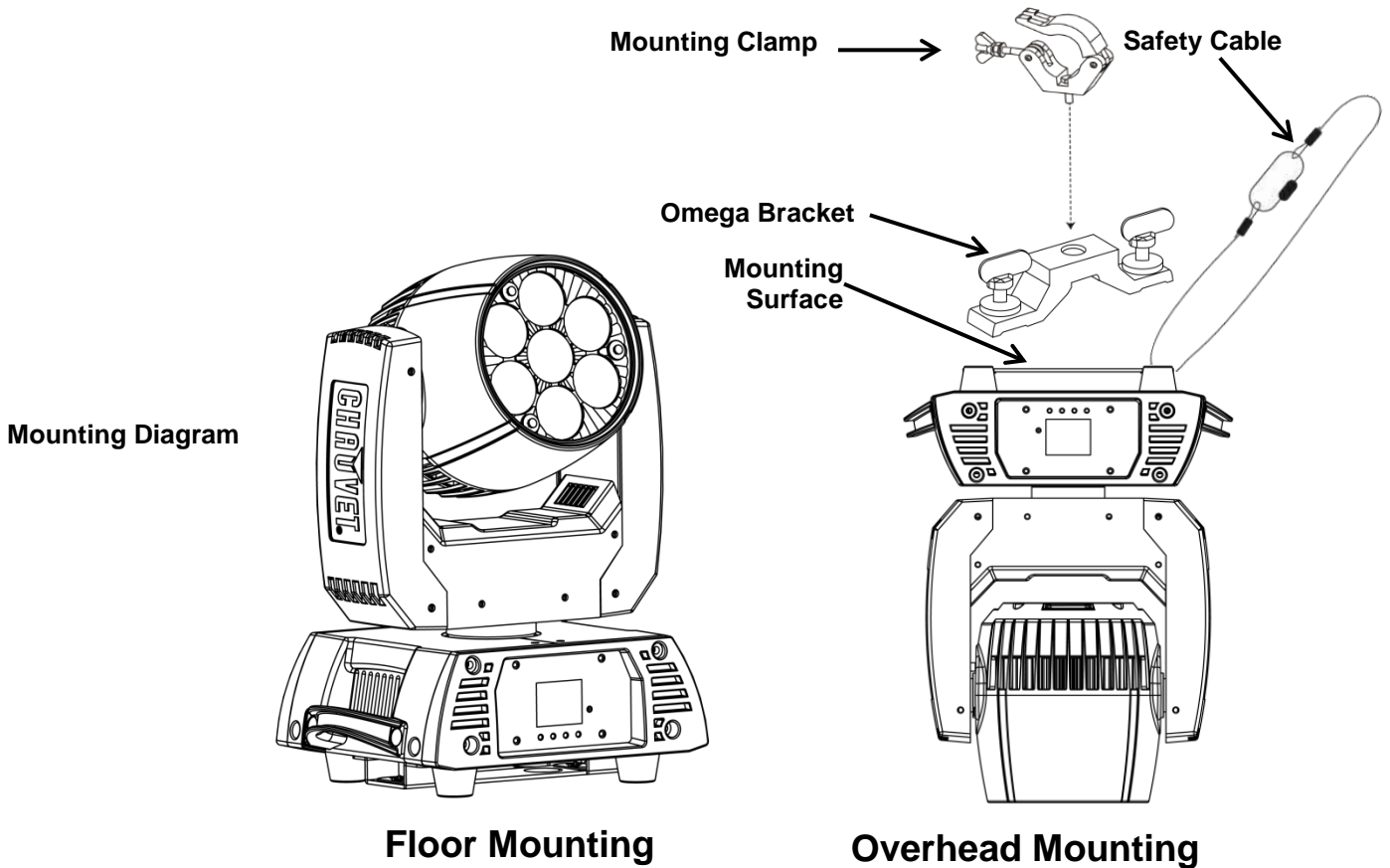
Mounting Before mounting this product, read and follow the [Safety Notes](#). For our CHAUVET® Professional line of mounting clamps, go to <http://trusst.com/products/>.

Orientation Always mount this product in a safe position and make sure there is adequate room for ventilation, configuration, and maintenance.

Rigging Chauvet recommends using the following general guidelines when mounting this product.

- When selecting an installation location, consider easy access to this product for operation, programming adjustments, and routine maintenance.
- Make sure to mount this product away from any flammable material as indicated in the [Safety Notes](#).
- Never mount in places where rain, high humidity, extreme temperature changes, or restricted ventilation may affect the product.
- If hanging this product, make sure that the mounting location can support the product's weight. See the [Technical Specifications](#) for the weight-bearing requirements of this product.
- When hanging this product, always secure to a fastening device using a safety cable.

Procedure The Rogue™ R1 Wash comes with a preinstalled mounting surface to which you will be able to attach the included omega bracket. Make sure the clamps are capable of supporting the weight of this product. Use at least 1 mounting point per product. In addition, use a safety cable to link the product to the structure.



4. OPERATION

Control Panel Description

Button	Function
<MENU>	Exits from the current menu or function
<ENTER>	Enables the currently displayed menu or sets the currently selected value in to the current function
<UP>	Navigates upward through the menu list or increases the numeric value when in a function
<DOWN>	Navigates downward through the menu list or decreases the numeric value when in a function

Control Options

You can set the Rogue™ R1 Wash starting address in the **001–512** DMX range. This enables control of up to 24 products in the 21-channel **21CH** personality.

Programming

Refer to the [Menu Map](#) to understand the menu options. The menu map shows the main level and a variable number of programming levels for each option.

- To enter programming mode, press any key on the control panel to wake the opening screen. Press <MENU> until you see one of the main level options.
- To highlight a menu option or to change a setting, press <UP> or <DOWN>.
- To change menu levels as shown in the [Menu Map](#), press <ENTER> or <MENU>. This is equivalent to moving right and left of the Menu Map, respectively.
- To accept the current or new value, press <ENTER>.
- To return to the previous menu without making changes, press <MENU>.
- To exit programming mode, press <MENU> until you see one of the main level options, the opening screen, or do not press any button for 30 seconds and the screen will automatically revert to the opening screen.

Menu Map

Main Level	Programming Levels		Description	
Address	001–512		Sets the DMX starting address	
Run Mode	DMX	14CH	Selects the DMX mode	
		15CH		
		19CH		
		21CH		
	Auto Test		Runs the product's test sequence	
	Manual Test	Pan	000–255	Allows manual control of all settings from the control panel
		Tilt		
		Dimmer		
		Shutter		
		Red		
Green				
Blue				
White				
	Zoom			
Setup	Pan Reverse	OFF	Reverse pan operation	
		ON	Normal pan operation	
	Tilt Reverse	OFF	Reverse tilt operation	
		ON	Normal tilt operation	
	Pan Angle	540	Selects the 540° pan angle range	
		360	Selects the 360° pan angle range	
		180	Selects the 180° pan angle range	
	Tilt Angle	230	Selects the 230° tilt angle range	
		180	Selects the 180° tilt angle range	
		90	Selects the 90° tilt angle range	
	Fans	Auto	Selects the fan's operation mode.	
		ECO		
		Full		
	Display	OFF	Determines whether or not the backlight of the display will stay on after last command button pressed	
ON				

Menu Map (Cont.)

Main Level	Programming Levels			Description	
Setup (Cont.)	Screen Rev	OFF		Rotates control screen view 180°	
		ON		Normal control screen view	
	Dimmer Curve	Linear		Liner dimmer	
		Square		Square curve dimmer	
		I Squa		Reverse square curve dimmer	
		SCurve		S curve dimmer	
	Dimmer Speed	Smooth		Slow (smooth) or fast (fast) dimmer curves	
		Fast			
	Color calibration	Off			Max. output when RGBW DMX channels are at full
		On			Factory calibrated color temperature when RGBW DMX channels are at full
		Custom	RED	100–255	Manual calibration of color temperature when RGBW DMX channels are at full
			GREEN		
	BLUE				
	Reset Function	Pan/Tilt	NO		Resets pan/tilt functions to the home position
			YES		
Zoom		NO		Resets all zoom functions to the home position	
		YES			
All		NO		Resets all functions to the home position	
		YES			
Factory Set				Reverts the product back to the original factory settings	
Sys Info	Ver:			Displays the software version	
	Running Mode:			Displays the current running mode	
	Dmx Address:			Displays the current DMX address	
	Temperature:			Displays the product's temperature in Celsius	
	Fixture Time			Displays the product's total time running	

Address This programming level sets the DMX starting address.
 • Starting from the Main Level screen, select **Address**, press **<ENTER>**.

Set the DMX Address In this mode, each product will respond to a unique starting address from the DMX controller. All products with the same starting address will respond in unison. This option sets the products DMX address.
 • Change the starting address (**001–512**), press **<ENTER>**.

Run Mode This programming level sets the DMX personality and controls the different test modes.
 • Starting from the Main Level screen, select **Run Mode**, press **<ENTER>**.

DMX Personality This option selects which DMX Personality the product uses.

1. Highlight **DMX**, press **<ENTER>**.
 2. Select the DMX personality **14CH**, **15CH**, **19CH**, or **21CH**, press **<ENTER>**.
- See the [DMX Values](#) section for the highest starting address you can select for each personality.
 - **Make sure that the starting addresses on the various products do not overlap due to the new personality setting.**



Auto Test This option runs every attribute individually through 1 cycle.
 • Highlight **Auto Test**, press **<ENTER>**.



The Auto Test will end after 1 full cycle. You can stop the test by pressing <MENU> at any time.

Manual Test This option allows you to run each attribute individually or as a group.

1. Highlight **Manual Test**, press **<ENTER>**.
2. Highlight the desired attribute listed on the control panel screen, press **<ENTER>**.
3. Set the attribute value (**000–255**), press **<ENTER>**.
4. Repeat step 2 for the other attributes.



When exiting the Manual Test level, the values of all tested channels will go back to zero.

- Setup** This programming level controls the product's head movement, display, dimming, and fan adjustments.
- Starting from the Main Level screen, select **Setup**, press **<ENTER>**.
- Pan Reverse** Reverses the operation of the pan attribute.
1. Highlight **Pan Reverse**, press **<ENTER>**.
 2. Select **YES** or **NO**, press **<ENTER>**.
- Tilt Reverse** Reverses the operation of the tilt attribute.
1. Highlight **Tilt Reverse**, press **<ENTER>**.
 2. Select **YES** or **NO**, press **<ENTER>**.
- Pan Angle** This option assigns pan range.
1. Highlight **Pan Angle**, press **<ENTER>**.
 2. Select **540**, **360**, or **180**, press **<ENTER>**.
- Tilt Angle** This option assigns tilt range.
1. Highlight **Tilt Angle**, press **<ENTER>**.
 2. Select **90**, **180**, or **270**, press **<ENTER>**.
- Fans** This option allows you to choose a fan mode. **AUTO** mode controls the fan speed based on the temperature of the LED's. In **ECO** mode, fans will stay as quiet as possible and allow the output of the LEDs to decrease by about 20% over time depending on the ambient temperature. As the ambient temperature increases, the output of the LEDs will decrease. In **Full** mode, the fans are on all the time at the highest speed.
1. Highlight **Fans**, press **<ENTER>**.
 2. Select **Auto**, **ECO**, or **Full**, press **<ENTER>**.
- Display** Determines whether or not the backlight of the display will stay on after last command button pressed.
1. Highlight **Display**, press **<ENTER>**.
 2. Select **OFF** or **ON**, press **<ENTER>**.
- Screen Reverse** To invert the control panel screen:
1. Highlight **Screen Rev**, press **<ENTER>**.
 2. Select **YES** or **NO**, press **<ENTER>**.
- Dimmer Curve** This option allows you to choose a dimmer curve mode. **Linear** mode follows the speed of the user controlling the fader when it is brought down to a "0" value. In **Square** mode the dimmer follows a square dimming curve when the fader is brought to a "0" value. In **I Square** mode the dimmer follows a square dimming curve in reverse when the fader is brought to a "0" value. In **SCurve** mode, the dimmer follows a square dimming curve when the fader is brought to a "0" value.
1. Highlight **Dimming Curve**, press **<ENTER>**.
 2. Select **Linear**, **Square**, **I Square**, or **SCurve**, press **<ENTER>**.
- Dimmer Speed** This option sets the speed of the **Dimmer Curve** menu option .
1. Highlight **Dimmer Speed**, press **<ENTER>**.
 2. Select **Smooth** or **Fast**, press **<ENTER>**.
- Color Calibration** This programming level allows the user to set what each of the RGBW DMX channels do when set to a "255" value.
- Starting from the **Setup** screen level, select **Color calibration**, press **<ENTER>**.
- Factory calibration** This option chooses to set the color temperature calibration to **Off** or **On**. When RGBW DMX channels are at full, setting to **Off** sets the fader to Max. output on each of the RGBW DMX Channels or to **On** which uses the factory calibrated color temperature.
- Highlight **On** or **Off**, press **<ENTER>**.
- Custom Calibration** Choosing **Custom** allows manual calibration of the RGBW DMX Channels.
1. Highlight **Custom**, press **<ENTER>**.
 2. Select **RED**, **GREEN**, or **BLUE**, press **<ENTER>**.
 3. Set the color value (**100–255**), press **<ENTER>**.
 4. Repeat step 2 for the other colors.

- Reset Function** This programming level allows the user to reset individual functions to the home position.
- Starting from the **Setup** screen level, select **Reset Function**, press **<ENTER>**.
- Pan/Tilt Reset** This option resets the Pan/Tilt functions to the home position.
1. Highlight **Pan/Tilt**, press **<ENTER>**.
 2. Select **YES** or **NO**, press **<ENTER>**.
- Zoom Reset** This option resets the Zoom function to the home position.
1. Highlight **Zoom**, press **<ENTER>**.
 2. Select **YES** or **NO**, press **<ENTER>**.
- All Reset** This option resets the all the functions to the home position.
1. Highlight **All**, press **<ENTER>**.
 2. Select **YES** or **NO**, press **<ENTER>**.
- Factory Reset Function** This reverts the product back to its original factory settings.
- Starting from the **Setup** screen level, select **Factory Settings**, press **<ENTER>**.
- System Information** This programming level shows standard information regarding the product's operating status.
- Starting from the Main Level screen, select **Sys Info**, press **<ENTER>**.
 - **Ver:** The current software version is displayed on the screen.
 - **Running Mode:** The current Running mode is displayed on the screen.
 - **DMX Address:** The current DMX address is displayed on the screen.
 - **Temperature:** The current product temperature is displayed on the screen.
 - **Fixture Time:** The product's total running time.
- Offset Mode** The Offset mode provides fine adjustments for the home position of all the moving parts in the optical path as well as the pan and tilt movements. This way, when in their home position, the moving parts do not show any border or reduce the light output.
1. Starting from the Main Level screen, press and hold **<MENU>** until the passcode screen appears.
 2. Using **<UP>** to increase the number value and **<DOWN>** to move to the next column, enter **2323**, press **<ENTER>**. This brings you into the Zero Adjust menu screen.
- Pan**
1. Highlight **PAN**, press **<ENTER>**.
 2. Select **000–255**, press **<ENTER>**.
- Tilt**
1. Highlight **TILT**, press **<ENTER>**.
 2. Select **000–255**, press **<ENTER>**.

DMX Values

21CH	Channel	Function	Value	Percent/Setting
	1	Pan	000 ó 255	0–100%
	2	Fine Pan	000 ó 255	Fine control (16-bit)
	3	Tilt	000 ó 255	0–100%
	4	Fine Tilt	000 ó 255	Fine control (16-bit)
	5	Pan/Tilt Speed	000 ó 255	0–100%
	6	Dimmer	000 ó 255	0–100%
	7	Fine Dimmer	000 ó 255	Fine control (16-bit)
	8	Shutter	000 ó 019	Closed
			020 ó 024	Open
			025 ó 064	Fast to slow
			065 ó 069	Open
			070 ó 084	Fast on/ramp off
			085 ó 089	Open
			090 ó 104	Ramp off/fast on
			105 ó 109	Open
			110 ó 124	Random
			125 ó 129	Open
			130 ó 144	Random fast on/ramp off
			145 ó 149	Open
			150 ó 164	Random slow on/fast off
			165 ó 169	Open
			170 ó 184	Pulse
			185 ó 189	Open
	190 ó 204	Random pulse		
	205 ó 209	Open		
	210 ó 224	Fade on/off		
	225 ó 229	Open		
	230 ó 244	Pulse		
	245 ó 255	Open		
	9	Red	000 ó 255	0–100%
	10	Fine Red	000 ó 255	Fine control (16-bit)
	11	Green	000 ó 255	0–100%
	12	Fine Green	000 ó 255	Fine control (16-bit)
	13	Blue	000 ó 255	0–100%
	14	Fine Blue	000 ó 255	Fine control (16-bit)
	15	White	000 ó 255	0–100%
	16	Fine White	000 ó 255	Fine control (16-bit)

DMX Values (Cont.)

21CH (Cont.)	Channel	Function	Value	Percent/Setting
17	Color		000 ó 004	Open
			005 ó 009	Color 1
			010 ó 014	Color 2
			015 ó 019	Color 3
			020 ó 024	Color 4
			025 ó 029	Color 5
			030 ó 034	Color 6
			035 ó 039	Color 7
			040 ó 044	Color 8
			045 ó 049	Color 9
			050 ó 054	Color 10
			055 ó 059	Color 11
			060 ó 064	Color 12
			065 ó 069	Color 13
			070 ó 074	Color 14
			075 ó 079	Color 15
			080 ó 084	Color 16
			085 ó 089	Color 17
			090 ó 094	Color 18
			095 ó 099	Color 19
			100 ó 104	Color 20
			105 ó 109	Color 21
			110 ó 114	Color 22
			115 ó 119	Color 23
			120 ó 124	Color 24
			125 ó 129	Color 25
			130 ó 134	Color 26
			135 ó 139	Color 27
			140 ó 144	Color 28
			145 ó 149	Color 29
	150 ó 154	Color 30		
	155 ó 159	Color 31		
	160 ó 164	Color 32		
	165 ó 169	Color 33		
	170 ó 174	Color 34		
	175 ó 179	Closed		
	180 ó 201	Clockwise color scroll, fast to slow		
	202 ó 207	Stop on current color		
	208 ó 229	Counter-clockwise color scroll, fast to slow		
	230 ó 234	Closed		
	235 ó 249	Color scroll		
	250 ó 255	Closed		
18	Zoom		000 ó 255	0–100%

DMX Values (Cont.)

21CH (Cont.)	Channel	Function	Value	Percent/Setting
19	Movement Macros		000ó 007	No function
			008ó 023	Effect 1
			024ó 039	Effect 2
			040ó 055	Effect 3
			056ó 071	Effect 4
			072ó 087	Effect 5
			088ó 103	Effect 6
			104ó 119	Effect 7
			120ó 135	Effect 8
			136ó 151	Effect 9
			152ó 167	Effect 10
			168ó 183	Effect 11
			184ó 199	Effect 12
			200ó 215	Effect 13
			216ó 231	Effect 14
			232ó 247	Effect 15
	248ó 255	Effect 16		
20	Movement Macro Speed		000ó 255	0–100%
21	Control		000ó 009	No function
			010ó 014	Blackout during pan/tilt (5 s activation delay)
			015ó 019	No function
			020ó 024	No function
			025ó 029	No function
			030ó 034	No function
			035ó 039	No function
			040ó 044	No function
			045ó 049	No function
			050ó 054	Pan reset (5 s activation delay)
			055ó 059	Tilt reset (5 s activation delay)
			060ó 064	Zoom reset (5 s activation delay)
			065ó 069	No function
			070ó 074	All reset (5 s activation delay)
			075ó 079	No function
			080ó 084	Pan/Tilt movement reverse (5 s activation delay)
			085ó 089	Pan movement reverse (5 s activation delay)
			090ó 094	Tilt movement reverse (5 s activation delay)
			095ó 099	Disable Pan movement reverse (5 s activation delay)
			100ó 104	Disable Tilt movement reverse (5 s activation delay)
			105ó 109	Disable Pan/Tilt movement reverse (5 s activation delay)
			110ó 114	No function
			115ó 119	No function
			120ó 124	Eco fan (5 s activation delay)
			125ó 129	Full fan (5 s activation delay)
			130ó 134	Auto fan (5 s activation delay)
			135ó 139	Fast dimmer curve (5 s activation delay)
			140ó 144	Smooth dimmer curve (5 s activation delay)
	145ó 255	No function		

DMX Values (Cont.)

19CH	Channel	Function	Value	Percent/Setting
	1	Pan	000ó 255	0–100%
	2	Fine Pan	000ó 255	Fine control (16-bit)
	3	Tilt	000ó 255	0–100%
	4	Fine Tilt	000ó 255	Fine control (16-bit)
	5	Pan/Tilt Speed	000ó 255	0–100%
	6	Dimmer	000ó 255	0–100%
	7	Fine Dimmer	000ó 255	Fine control (16-bit)
	8	Shutter	000ó 019	Closed
			020ó 024	Open
			025ó 064	Fast to slow
			065ó 069	Open
			070ó 084	Fast on/ramp off
			085ó 089	Open
			090ó 104	Ramp off/fast on
			105ó 109	Open
			110ó 124	Random
			125ó 129	Open
			130ó 144	Random fast on/ramp off
			145ó 149	Open
			150ó 164	Random slow on/fast off
			165ó 169	Open
			170ó 184	Pulse
	185ó 189	Open		
	190ó 204	Random pulse		
	205ó 209	Open		
	210ó 224	Fade on/off		
	225ó 229	Open		
	230ó 244	Pulse		
	245ó 255	Open		
	9	Red	000ó 255	0–100%
	10	Fine Red	000ó 255	Fine control (16-bit)
	11	Green	000ó 255	0–100%
	12	Fine Green	000ó 255	Fine control (16-bit)
	13	Blue	000ó 255	0–100%
	14	Fine Blue	000ó 255	Fine control (16-bit)
	15	White	000ó 255	0–100%
	16	Fine White	000ó 255	Fine control (16-bit)

DMX Values (Cont.)

19CH (Cont.)	Channel	Function	Value	Percent/Setting
17	Color		000 ó 004	Open
			005 ó 009	Color 1
			010 ó 014	Color 2
			015 ó 019	Color 3
			020 ó 024	Color 4
			025 ó 029	Color 5
			030 ó 034	Color 6
			035 ó 039	Color 7
			040 ó 044	Color 8
			045 ó 049	Color 9
			050 ó 054	Color 10
			055 ó 059	Color 11
			060 ó 064	Color 12
			065 ó 069	Color 13
			070 ó 074	Color 14
			075 ó 079	Color 15
			080 ó 084	Color 16
			085 ó 089	Color 17
			090 ó 094	Color 18
			095 ó 099	Color 19
			100 ó 104	Color 20
			105 ó 109	Color 21
			110 ó 114	Color 22
			115 ó 119	Color 23
			120 ó 124	Color 24
			125 ó 129	Color 25
			130 ó 134	Color 26
			135 ó 139	Color 27
			140 ó 144	Color 28
			145 ó 149	Color 29
	150 ó 154	Color 30		
	155 ó 159	Color 31		
	160 ó 164	Color 32		
	165 ó 169	Color 33		
	170 ó 174	Color 34		
	175 ó 179	Closed		
	180 ó 201	Clockwise color scroll, fast to slow		
	202 ó 207	Stop on current color		
	208 ó 229	Counter-clockwise color scroll, fast to slow		
	230 ó 234	Closed		
	235 ó 249	Color scroll		
	250 ó 255	Closed		
18	Zoom		000 ó 255	0–100%

DMX Values (Cont.)

19CH (Cont.)	Channel	Function	Value	Percent/Setting
			000 ó 009	No function
			010 ó 014	Blackout during pan/tilt (5 s activation delay)
			015 ó 019	No function
			020 ó 024	No function
			025 ó 029	No function
			030 ó 034	No function
			035 ó 039	No function
			040 ó 044	No function
			045 ó 049	No function
			050 ó 054	Pan reset (5 s activation delay)
			055 ó 059	Tilt reset (5 s activation delay)
			060 ó 064	Zoom reset (5 s activation delay)
			065 ó 069	No function
			070 ó 074	All reset (5 s activation delay)
			075 ó 079	No function
			080 ó 084	Pan/Tilt movement reverse (5 s activation delay)
			085 ó 089	Pan movement reverse (5 s activation delay)
			090 ó 094	Tilt movement reverse (5 s activation delay)
			095 ó 099	Disable Pan movement reverse (5 s activation delay)
			100 ó 104	Disable Tilt movement reverse (5 s activation delay)
			105 ó 109	Disable Pan/Tilt movement reverse (5 s activation delay)
			110 ó 114	No function
			115 ó 119	No function
			120 ó 124	Eco fan (5 s activation delay)
			125 ó 129	Full fan (5 s activation delay)
			130 ó 134	Auto fan (5 s activation delay)
			135 ó 139	Fast dimmer curve (5 s activation delay)
			140 ó 144	Smooth dimmer curve (5 s activation delay)
			145 ó 255	No function

19

Control

DMX Values (Cont.)

15CH	Channel	Function	Value	Percent/Setting
	1	Pan	000 ó 255	0–100%
	2	Fine Pan	000 ó 255	Fine control (16-bit)
	3	Tilt	000 ó 255	0–100%
	4	Fine Tilt	000 ó 255	Fine control (16-bit)
	5	Pan/Tilt Speed	000 ó 255	0–100%
	6	Dimmer	000 ó 255	0–100%
	7	Fine Dimmer	000 ó 255	Fine control (16-bit)
	8	Shutter	000 ó 019	Closed
			020 ó 024	Open
			025 ó 064	Fast to slow
			065 ó 069	Open
			070 ó 084	Fast on/ramp off
			085 ó 089	Open
			090 ó 104	Ramp off/fast on
			105 ó 109	Open
			110 ó 124	Random
			125 ó 129	Open
			130 ó 144	Random fast on/ramp off
			145 ó 149	Open
			150 ó 164	Random slow on/fast off
			165 ó 169	Open
			170 ó 184	Pulse
	185 ó 189	Open		
	190 ó 204	Random pulse		
	205 ó 209	Open		
	210 ó 224	Fade on/off		
	225 ó 229	Open		
	230 ó 244	Pulse		
	245 ó 255	Open		
	9	Red	000 ó 255	0–100%
	10	Green	000 ó 255	0–100%
	11	Blue	000 ó 255	0–100%
	12	White	000 ó 255	0–100%

DMX Values (Cont.)

15CH (Cont.)	Channel	Function	Value	Percent/Setting
13	Color		000 ó 004	Open
			005 ó 009	Color 1
			010 ó 014	Color 2
			015 ó 019	Color 3
			020 ó 024	Color 4
			025 ó 029	Color 5
			030 ó 034	Color 6
			035 ó 039	Color 7
			040 ó 044	Color 8
			045 ó 049	Color 9
			050 ó 054	Color 10
			055 ó 059	Color 11
			060 ó 064	Color 12
			065 ó 069	Color 13
			070 ó 074	Color 14
			075 ó 079	Color 15
			080 ó 084	Color 16
			085 ó 089	Color 17
			090 ó 094	Color 18
			095 ó 099	Color 19
			100 ó 104	Color 20
			105 ó 109	Color 21
			110 ó 114	Color 22
			115 ó 119	Color 23
			120 ó 124	Color 24
			125 ó 129	Color 25
			130 ó 134	Color 26
	135 ó 139	Color 27		
	140 ó 144	Color 28		
	145 ó 149	Color 29		
	150 ó 154	Color 30		
	155 ó 159	Color 31		
	160 ó 164	Color 32		
	165 ó 169	Color 33		
	170 ó 174	Color 34		
	175 ó 179	Closed		
	180 ó 201	Clockwise color scroll, fast to slow		
	202 ó 207	Stop on current color		
	208 ó 229	Counter-clockwise color scroll, fast to slow		
	230 ó 234	Closed		
	235 ó 249	Color scroll		
	250 ó 255	Closed		
14	Zoom		000 ó 255	0–100%

DMX Values (Cont.)

15CH (Cont.)	Channel	Function	Value	Percent/Setting
			000 ó 009	No function
			010 ó 014	Blackout during pan/tilt (5 s activation delay)
			015 ó 019	No function
			020 ó 024	No function
			025 ó 029	No function
			030 ó 034	No function
			035 ó 039	No function
			040 ó 044	No function
			045 ó 049	No function
			050 ó 054	Pan reset (5 s activation delay)
			055 ó 059	Tilt reset (5 s activation delay)
			060 ó 064	Zoom reset (5 s activation delay)
			065 ó 069	No function
			070 ó 074	All reset (5 s activation delay)
			075 ó 079	No function
			080 ó 084	Pan/Tilt movement reverse (5 s activation delay)
			085 ó 089	Pan movement reverse (5 s activation delay)
			090 ó 094	Tilt movement reverse (5 s activation delay)
			095 ó 099	Disable Pan movement reverse (5 s activation delay)
			100 ó 104	Disable Tilt movement reverse (5 s activation delay)
			105 ó 109	Disable Pan/Tilt movement reverse (5 s activation delay)
			110 ó 114	No function
			115 ó 119	No function
			120 ó 124	Eco fan (5 s activation delay)
			125 ó 129	Full fan (5 s activation delay)
			130 ó 134	Auto fan (5 s activation delay)
			135 ó 139	Fast dimmer curve (5 s activation delay)
			140 ó 144	Smooth dimmer curve (5 s activation delay)
			145 ó 255	No function

15 Control

DMX Values (Cont.)

14CH	Channel	Function	Value	Percent/Setting
	1	Pan	000ó 255	0–100%
	2	Fine Pan	000ó 255	Fine control (16-bit)
	3	Tilt	000ó 255	0–100%
	4	Fine Tilt	000ó 255	Fine control (16-bit)
	5	Pan/Tilt Speed	000ó 255	0–100%
	6	Dimmer	000ó 255	0–100%
	7	Shutter	000ó 019	Closed
			020ó 024	Open
			025ó 064	Fast to slow
			065ó 069	Open
			070ó 084	Fast on/ramp off
			085ó 089	Open
			090ó 104	Ramp off/fast on
			105ó 109	Open
			110ó 124	Random
			125ó 129	Open
			130ó 144	Random fast on/ramp off
			145ó 149	Open
			150ó 164	Random slow on/fast off
			165ó 169	Open
			170ó 184	Pulse
			185ó 189	Open
	190ó 204	Random pulse		
	205ó 209	Open		
	210ó 224	Fade on/off		
	225ó 229	Open		
	230ó 244	Pulse		
	245ó 255	Open		
	8	Red	000ó 255	0–100%
	9	Green	000ó 255	0–100%
	10	Blue	000ó 255	0–100%
	11	White	000ó 255	0–100%

DMX Values (Cont.)

14CH (Cont.)	Channel	Function	Value	Percent/Setting
12	Color		000 ó 004	Open
			005 ó 009	Color 1
			010 ó 014	Color 2
			015 ó 019	Color 3
			020 ó 024	Color 4
			025 ó 029	Color 5
			030 ó 034	Color 6
			035 ó 039	Color 7
			040 ó 044	Color 8
			045 ó 049	Color 9
			050 ó 054	Color 10
			055 ó 059	Color 11
			060 ó 064	Color 12
			065 ó 069	Color 13
			070 ó 074	Color 14
			075 ó 079	Color 15
			080 ó 084	Color 16
			085 ó 089	Color 17
			090 ó 094	Color 18
			095 ó 099	Color 19
			100 ó 104	Color 20
			105 ó 109	Color 21
			110 ó 114	Color 22
			115 ó 119	Color 23
			120 ó 124	Color 24
			125 ó 129	Color 25
			130 ó 134	Color 26
			135 ó 139	Color 27
			140 ó 144	Color 28
			145 ó 149	Color 29
			150 ó 154	Color 30
			155 ó 159	Color 31
	160 ó 164	Color 32		
	165 ó 169	Color 33		
	170 ó 174	Color 34		
	175 ó 179	Closed		
	180 ó 201	Clockwise color scroll, fast to slow		
	202 ó 207	Stop on current color		
	208 ó 229	Counter-clockwise color scroll, fast to slow		
	230 ó 234	Closed		
	235 ó 249	Color scroll		
	250 ó 255	Closed		
13	Zoom		000 ó 255	0–100%

DMX Values (Cont.)

14CH (Cont.)	Channel	Function	Value	Percent/Setting
			000 ó 009	No function
			010 ó 014	Blackout during pan/tilt (5 s activation delay)
			015 ó 019	No function
			020 ó 024	No function
			025 ó 029	No function
			030 ó 034	No function
			035 ó 039	No function
			040 ó 044	No function
			045 ó 049	No function
			050 ó 054	Pan reset (5 s activation delay)
			055 ó 059	Tilt reset (5 s activation delay)
			060 ó 064	Zoom reset (5 s activation delay)
			065 ó 069	No function
			070 ó 074	All reset (5 s activation delay)
			075 ó 079	No function
			080 ó 084	Pan/Tilt movement reverse (5 s activation delay)
	14	Control	085 ó 089	Pan movement reverse (5 s activation delay)
			090 ó 094	Tilt movement reverse (5 s activation delay)
			095 ó 099	Disable Pan movement reverse (5 s activation delay)
			100 ó 104	Disable Tilt movement reverse (5 s activation delay)
			105 ó 109	Disable Pan/Tilt movement reverse (5 s activation delay)
			110 ó 114	No function
			115 ó 119	No function
			120 ó 124	Eco fan (5 s activation delay)
			125 ó 129	Full fan (5 s activation delay)
			130 ó 134	Auto fan (5 s activation delay)
			135 ó 139	Fast dimmer curve (5 s activation delay)
			140 ó 144	Smooth dimmer curve (5 s activation delay)
			145 ó 255	No function

5. TECHNICAL INFORMATION

Product Maintenance

To maintain optimum performance and minimize wear, you should clean this product frequently. Usage and environment are contributing factors in determining the cleaning frequency.

As a rule, clean this product at least twice a month. Dust build-up reduces light output performance and can cause overheating. This can lead to reduced light source life and increased mechanical wear.

To clean your product:

1. Unplug the product from power.
2. Wait until the product is at room temperature.
3. Use a vacuum (or dry compressed air) and a soft brush to remove dust collected on the external vents.
4. Clean all external surfaces with a mild solution of non-ammonia glass cleaner or isopropyl alcohol.
5. Apply the solution directly to a soft, lint-free cotton cloth or a lens cleaning tissue.
6. Wipe any dirt or grime to the outside edges of the lens surface.
7. Gently polish the lens surfaces until they are free of haze and lint.



Always dry the external surfaces thoroughly and carefully after cleaning them.



Do not spin the cooling fans while blowing compressed air into them.

6. TECHNICAL SPECIFICATIONS

Dimensions and Weight	Length	Width	Height	Weight
	7.36 in (187 mm)	10.43 in (265 mm)	13.94 in (354 mm)	13 lb (5.9 kg)
Note: Dimensions in inches rounded to the nearest decimal digit.				
Power	Power Supply Type	Range		Voltage Selection
	Switching (internal)	100–240 VAC, 50/60 Hz		Auto-ranging
	Parameter	120 VAC, 60 Hz		230 VAC, 50 Hz
	Consumption	161 W		139 W
	Current	1.34 A		0.62 A
	Power linking current (products)	13.6 A (10 products)		13.6 A (21 products)
	Fuse	F 4 A, 250 V		F 4 A, 250 V
	Power I/O	U.S./Canada		Worldwide
	Power input connector	Neutrik® powerCON® A		Neutrik® powerCON® A
	Power cord plug	Edison (U.S.)		Local plug
Light Source	Type	Power	Lifespan	
	LED	15 W	50,000 hours	
Photometric	Parameter	Narrow	Wide	
	Illuminance @ 5 m	3,098 lux	299 lux	
	Beam angle	8°	30°	
	Field angle	11°	48°	
Thermal	Max. External Temperature	Cooling System		
	113 °F (45 °C)	Fan-Cooled		
DMX	I/O Connectors	Connector Type	Channel Range	
	3- and 5-pin XLR	Sockets	14, 15, 19 or 21	
Ordering	Product Name	Item Code	UPC Number	
	Rogue™ R1 Wash	08010909	781462212575	



UL 1573
 CSA C22.2 No. 166
 E113093

Returns You must send the product prepaid, in the original box, and with the original packing and accessories. Chauvet will not issue call tags. Call Chauvet and request a Return Merchandise Authorization (RMA) number before shipping the product. Be prepared to provide the model number, serial number, and a brief description of the cause(s) for the return. Clearly label the package with an RMA number. Chauvet will refuse any product returned without an RMA number.



DO NOT write the RMA number directly on the box. Instead, write it on a properly affixed label.

Once you have received the RMA number, include the following information on a piece of paper inside the box:

- Your name
- Your address
- Your phone number
- The RMA number
- A brief description of the problem(s)

Be sure to pack the product properly. Any shipping damage resulting from inadequate packaging will be the customer's responsibility. FedEx packing or double-boxing is recommended.



Chauvet reserves the right to use its own discretion to repair or replace returned product(s).

CONTACT Us

WORLD HEADQUARTERS - Chauvet

General Information

Address: 5200 NW 108th Avenue
 Sunrise, FL 33351
 Voice: (954) 577-4455
 Fax: (954) 929-5560
 Toll free: (800) 762-1084

Technical Support

Voice: (954) 577-4455 (Press 4)
 Fax: (954) 756-8015
 Email: tech@chauvetlighting.com

World Wide Web www.chauvetlighting.com

UNITED KINGDOM AND IRELAND - Chauvet Europe Ltd.

General Information

Address: Unit 1C
 Brookhill Road Industrial Estate
 Pinxton, Nottingham, UK
 NG16 6NT
 Voice: +44 (0)1773 511115
 Fax: +44 (0)1773 511110

Technical Support

Email: uktech@chauvetlighting.com

World Wide Web www.chauvetlighting.co.uk

MEXICO - Chauvet Mexico

General Information

Address: Av. Santa Ana 30
 Parque Industrial Lerma
 Lerma, Mexico C.P. 52000
 Voice: +52 (728) 285-5000

Technical Support

Email: servicio@chauvet.com.mx

World Wide Web www.chauvet.com.mx

CHAUVET EUROPE - Chauvet Europe BVBA

General Information

Address: Stokstraat 18
 9770 Kruishoutem
 Belgium
 Voice: +32 9 388 93 97

Technical Support

Email: Eutech@chauvetlighting.eu

World Wide Web www.chauvetlighting.eu

Outside the U.S., United Kingdom, Ireland, Mexico, or Benelux contact the dealer of record. Follow their instructions to request support or to return a product. Visit our website for contact details.