

VL1100 TSD / TID

automated ellipsoidal
reflector spotlight



The VARI***LITE** VL1100 ERS luminaire, borne from the very popular VL1000 ERS luminaire, combines the functionality of one of the most popular conventional lighting tools — the ellipsoidal reflector spotlight — with the versatility of an automated luminaire. All VL1100 models have undergone design enhancements to provide more quiet and fluid operation.

Automated functions include CYM color mixing, rotating gobos (gobos/patterns sold separately), variable diffusion and a zoom lens that ranges from 19° to 36° for normal imaging and a super zoom function that ranges to 70°. A new 50 kHz. drive system quiets all two-phase motors both when moving and static. A central bearing system in the gobo wheel reduces noise and ensures smooth operation of the mechanism. Additionally, new, three-phase, ultra quiet stepper motors provide for smoother and quieter pan and tilt operation.

Versions VL1100TID and VL1100TSD deliver 10,000 lumens (115V lamp) with the consistent color temperature of a tungsten source. The VL1100TSD model includes an automated, four-blade shutter mechanism that provides control of all shutter functions popular in conventional ellipsoidal reflector spotlights. Model VL1100TID includes a beam size iris.

Each of these versions is supplied with an integral silent IGBT electronic dimmer built into the light.

Tungsten with Integral IGBT Dimmer Programmable Functions

Zoom Optics:	Continuously variable field angle in imaging range from 19° to 36°, super zoom angles to 70° is programmable over a timed range of 2 seconds to 20 minutes.
Color Mixing System:	A fully cross-fading CYM color system. All motors utilize a noise reducing, 50kHz. drive system that quiets operation during movement and also while static.
Diffusion:	Field or gobo can be continuously and smoothly diffused to wash.
Dimmer:	Integral, silent IGBT electronic dimmer.
Rotating Gobo Wheel:	Six position rotating gobo wheel with a central bearing system, five rotatable and indexable gobo positions plus open. (Patterns are not included with the fixture.)
Shutter (Framing Models):	Four-blade system can frame and crop beam field and gobos. Each individual shutter is capable of translating to beam center while also rotating ±35°. Entire shutter rotates ±45°.
Beam Size Control (Iris Models):	In addition to the zoom optics, a mechanical iris provides continuous beam size control for both rapid changes and smooth timed beam angle changes.
Pan and Tilt:	Smooth, timed continuous motion using three phase, ultra quiet stepper motors with encoder correction. Pan range is 540°; tilt is 270°. Resolution is 0.1°. Unit will calibrate to support close hangs (yoke-to-yoke).

Description

Sources:	1000W Tungsten Halogen Lamp (Available in 100,115, 230, and 240 Volt versions.) Color Temp: 3200K Output: 10,000 Lumens (115V Lamp) Rated Life: 300 Hours 6 to 12 Amps depending upon lamp/input voltage. 100 -240 VAC 50/60 Hz.
Power Requirements:	
Reflector:	Precision glass reflector with dichroic cold mirror coating.
Operational Temperature:	-20° to 122°F (-29° to 50°C)
Cooling:	Free convection cooling when hung. Floor mounted units and extreme ambient temperatures activate a low-noise, forced-air cooling system.
Control:	Completely compatible with a wide variety of DMX512 lighting control consoles.
Mounting Position:	VL1100 ERS luminaires can be mounted and operated in any orientation.
Spacing:	Full range of motion on 26.5" centers. Hangs as close as 20.0".
Weight:	72.0 lbs (32.65 kg).

Ordering Information

Luminaires:	
20.9664.0001.22	VL1100TSD ERS, Framing Shutters & 115V IGBT Dimmer, Includes 115V 1000W Lamp
20.9664.0001.22.02	VL1100TSD ERS, WHITE, Framing Shutters & 115V IGBT Dimmer, Includes 115V 1000W Lamp
20.9664.0001.23	VL1100TID ERS, Iris & 115V IGBT Dimmer, Includes 115V 1000W Lamp
20.9664.0001.23.02	VL1100TID ERS, WHITE, Iris & 115V IGBT Dimmer, Includes 115V 1000W Lamp
20.9664.0001.32	VL1100TSD ERS, Framing Shutters & 230V IGBT Dimmer, 230V, Includes 230V 1000W Lamp
20.9664.0001.32.02	VL1100TSD ERS, WHITE, Framing Shutters & 230V IGBT Dimmer, 240V, Includes 230V 1000W Lamp
20.9664.0001.33	VL1100TID ERS, Iris & 230V IGBT Dimmer, Includes 230V 1000W Lamp
20.9664.0001.33.02	VL1100TID ERS, WHITE, Iris & 230V IGBT Dimmer, Includes 230V 1000W Lamp
Accessories:	
71.2554.0100	1000 Watt Tungsten Lamp, 100 VAC
71.2554.0115	1000 Watt Tungsten Lamp, 115 VAC
71.2552.0230	1000 Watt Tungsten Lamp, 230 VAC
71.2554.0240	1000 Watt Tungsten Lamp, 240 VAC
22.9620.0194	Safety Cable
28.8500.0054	USB Luminaire Programming Kit
55.6840.0001	Truss Hook, Mega-Clamp, Round and Square
55.6841.0001	Truss Hook, Mega-Claw for 2" Round Tube
41.6010.XXXX	Gobo, Series 1000 (Specify pattern from catalog to complete P/N.)



PHILIPS
VARI*LITE****

VL1100 TSD / TID

automated ellipsoidal
reflector spotlight

Tungsten with Integral IGBT Dimmer

Specifications

The unit shall be an integrally designed, remote-controlled, automated ellipsoidal reflector spot luminaire. An integral enclosure/pan tube supports the luminaire with provisions for two hooks. The pan tube serves as an interconnection point for power and data. Low noise fans provide forced-air cooling for internal components during extreme operating conditions. The rear cap provides three-point lamp adjustment and easy access to the lamp for replacement.

The unit has an integral electronic dimmer capable of 800 micro-second rise time operation.

An AC input connector, and two, five-pin DMX512 compatible connectors (in and through) are provided. Power requirements are 11A at 115 volts and 6A at 230 volts. The unit can be controlled by a wide variety of DMX512 consoles.

Each unit shall be equipped with a high-speed processor providing diagnostic and self-calibration functions as well as internal test routines and software update capabilities. A yoke arm mounted panel and display provide the user interface.

The unit shall contain three-phase stepper motors to provide movement of the head through 540° in the horizontal plane (pan) and 270° in the vertical plane (tilt). The luminaire calibrates to minimize hanging distances.

A zooming multi-element optical system provides continuous focus of gobo images for field angles from 19° to 36°. A super zoom function provides field angles to 70°. Independent control of edge is provided.

A CYM color mixing system shall be provided for a broad range of user color selection. A variable diffusion stage shall also be included. This stage provides controlled reduction of the contrast ratio of imagery and beam edges. The effect is a continuous transition from spotlight to floodlight.

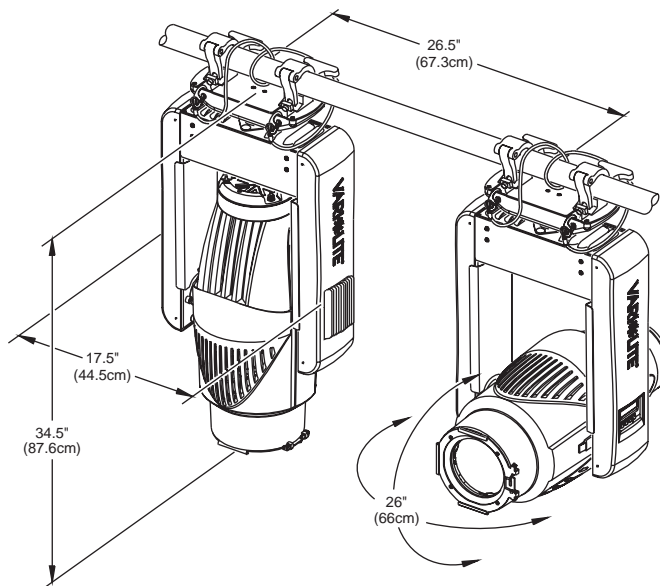
A six-position gobo wheel with five rotatable, indexable gobo positions and one open position shall be included. A central bearing system in the gobo wheel shall reduce noise and ensure smooth operation of the mechanism. Gobos are easily installed and removed. (A wide selection of gobos are available from Vari-Lite.)

Framing shutter models contain four shutter blades that translate radially across the beam. Each individual shutter is capable of translating to beam center while also rotating ±35°. The framing shutter mechanism rotates as a unit ±45°.

Iris models contain a beam size iris suitable for producing narrow beams and cropping gobos.

A 50 kHz. drive system shall quiet all two phase motors in the luminaire both when moving and static.

The unit is ETL and ETLc certified and CE marked. The unit's exterior finish shall be available in black or white.



Shown with accessories that are sold separately.

Photometric Data*

FIELD ANGLE (Degrees)	FIELD DIAMETER TN'	BEAM ANGLE (Degrees)	BEAM DIAMETER TN'	CANDELA (cd)
VL1100 ERS - 1000W Tungsten Halogen (100V Lamp)				
19.5	.344	14.5	.254	151,300
27.0	.480	20.0	.353	85,700
37.0	.669	26.5	.471	44,400
70.0 (Super Zoom)	1.40	30.0	.536	21,400
VL1100 ERS - 1000W Tungsten Halogen (115V Lamp)				
19.5	.344	14.5	.254	146,200
27.0	.480	20.0	.353	82,000
37.0	.669	27.0	.480	42,700
70.0 (Super Zoom)	1.40	31.0	.555	20,700
VL1100 ERS - 1000W Tungsten Halogen (230V Lamp)				
19.5	.344	14.0	.246	127,400
27.0	.480	20.0	.353	70,200
37.0	.669	26.5	.471	36,300
70.0 (Super Zoom)	1.40	30.5	.545	17,580

Notes:

* All data taken with seasoned light source at 20 hours of life.

¹ Multiply distance by Tn to determine coverage.

To calculate center beam Illuminance (I), at a specific distance (D): I = cd / D²

— if (D) is in feet, (I) is in foot candles

— if (D) is in meters, (I) is in lux



©2010-2012 Philips Group. All rights reserved. Printed in the U.S.A. We reserve the right to change details of design, materials and finishes. Specifications are subject to change without notice. VARI*LITE automated lighting equipment is made in the U.S.A.



Vari-Lite
10911 Petal Street
Dallas, TX 75238
1.877.VARILITE
fax: 214.647.8038
www.vari-lite.com



VL1100TSD/TID_102412