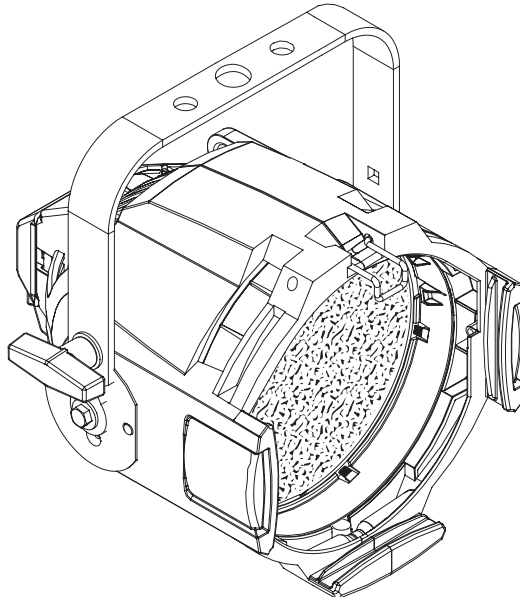




100V 115/120V 230/240V

PAR Series



SPECIFICATIONS

PHYSICAL

- Rugged die-cast aluminum construction
- High-impact, thermally insulated precision focus knob
- Sealed reflector housing
- Reflector temperature control through integral heat sink fins
- Gel frame holders with two accessory slots
- Top-mounted, gel-frame retainer
- Steel yoke with two mounting positions
- Positive locking yoke clutch
- UL and cUL Listed

ELECTRICAL

- 115-240V, 50/60Hz
- High-temperature three-conductor 36" leads in a glass fiber outer sleeve
- Supports ETC Dimmer Doubling™ technology

LAMP

- HPL – compact tungsten filament contained in a krypton/xenon-filled quartz envelope (see table for suitable lamp types)
- 750W maximum
- Patented filament geometry makes for extremely efficient light collection and transmission
- Integral die-cast aluminum heat sink lamp base

LENSES

- Patented wave lens system
- Two heat resistant borosilicate glass lenses
- One fixed wave clear lens and one rotatable wave stippled lens installed
- Tool free front lens changing
- Thermally insulated lens ring

SPECIFICATIONS

OPTICAL

- Integral 24° – 47° spot to flood adjustment
- Modified parabolic and multifaceted reflector
- Computer designed reflector facets molded directly into heat sink casting, finished with an enhanced aluminum deposition process, and polished for maximum reflectance

ORDERING INFORMATION

Source Four PARnel

| MODEL    | DESCRIPTION                |
|----------|----------------------------|
| PARnel   | Source Four PARnel (Black) |
| PARnel-1 | Source Four PARnel (White) |

ETC Source Four PARnel are supplied with a color frame and 3' (96cm) lead as standard

Connector Designation

Use Suffixes below to specify Factory-Fitted Connector type

| MODEL | DESCRIPTION                            |
|-------|--|
| A     | Parallel-blade U-ground connector      |
| B     | Two-pin and ground, 20 amp connector   |
| C     | Grounded, 20 amp, twistlock connector  |
| M     | Dimmer Doubling Connector (NEMA L515P) |

See back page for Source Four PAR Accessories



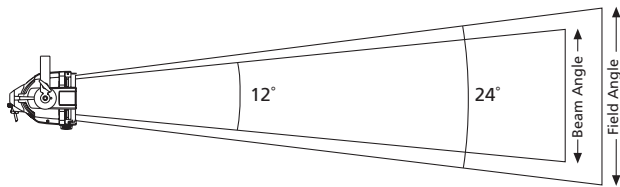
PHOTOMETRICS

Photometric data below is measured with an HPL 750W/115V 300 hr lamp. To convert data when using any other HPL lamp, use the lumen or candela multiplying factors (Lm MF or Cd MF) for that specific lamp. These multiplying factors are listed in the Lamps table in this datasheet. For lumen data, multiply by the Lm MF. For candela or footcandle data, multiply by the Cd MF.

Source Four PARnel - Spot Focus

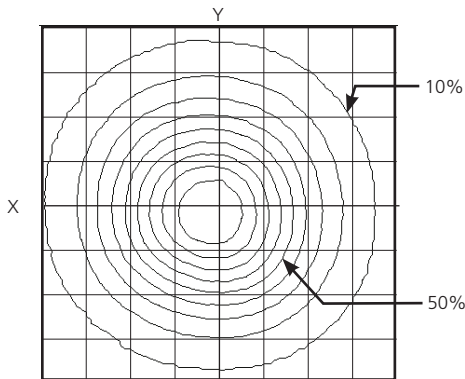
| Degree | Candela | Field Lumens | Beam Lumens | Efficiency | Lumens per watt |
|--------|---------|--------------|-------------|------------|-----------------|
| Spot   | 190,390 | 9,135        | 4,610       | 41.7%      | 12.2            |

For Field diameter at any distance, multiply distance by 0.42  
 For Beam diameter at any distance, multiply distance by 0.21

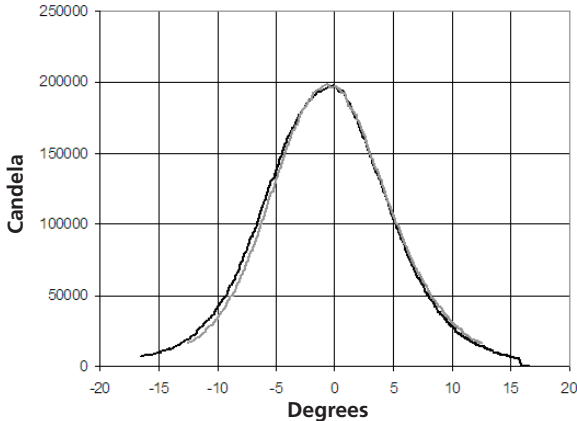


| Throw Distance (d) | 20.0' | 35.0' | 50.0' | 60.0' |
|--------------------|-------|-------|-------|-------|
|                    | 6.1m  | 10.7m | 15.2m | 18.3m |
| Field Diameter     | 8.4'  | 14.7' | 20.9' | 25.1' |
|                    | 2.6m  | 4.5m  | 6.4m  | 7.7m  |
| Illuminance (fc)   | 476   | 155   | 76    | 53    |
| Illuminance (lux)  | 5,123 | 1,673 | 820   | 569   |

Iso-Illuminance Diagram (Flat Surface Distribution)



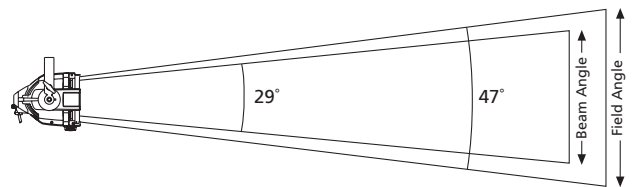
Candela Plot



Source Four PARnel - Flood Focus

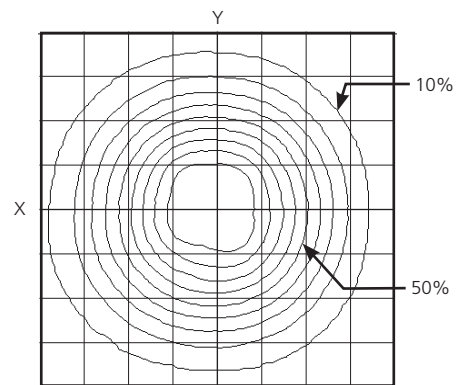
| Degree | Candela | Field Lumens | Beam Lumens | Efficiency | Lumens per watt |
|--------|---------|--------------|-------------|------------|-----------------|
| Flood  | 47,050  | 10,560       | 6,440       | 48.2%      | 14.1            |

For Field diameter at any distance, multiply distance by 0.87  
 For Beam diameter at any distance, multiply distance by 0.52

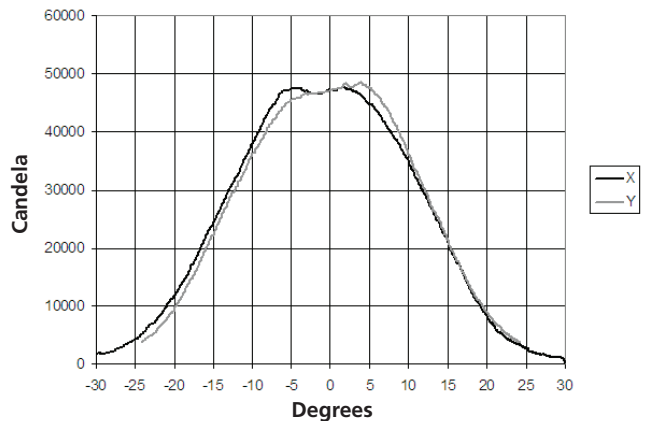


| Throw Distance (d) | 10.0' | 15.0' | 20.0' | 30.0' |
|--------------------|-------|-------|-------|-------|
|                    | 3.0m  | 4.6m  | 6.1m  | 9.1m  |
| Field Diameter     | 8.7'  | 13.0' | 17.3' | 26.0' |
|                    | 2.6m  | 4.0m  | 5.3m  | 7.9m  |
| Illuminance (fc)   | 471   | 209   | 118   | 52    |
| Illuminance (lux)  | 5,065 | 2,251 | 1266  | 563   |

Iso-Illuminance Diagram (Flat Surface Distribution)



Candela Plot



## PAR Series

## LAMP S

To determine Candela (Cd) or Lumens (Lm) for any other HPL lamp, multiply the Candela or Lumen value by the appropriate multiplying factor (CdMF or LmMF) shown for that lamp in the table below.

| ETC Part # | Lamp Code     | Watts | Volts | Initial Lumens | Color Temp. K | Avg. Rated Life | Spot Cd MF | Spot Lm MF | Flood Cd MF | Flood Lm MF |
|------------|---------------|-------|-------|----------------|---------------|-----------------|------------|------------|-------------|-------------|
| RT116      | HPL 750/115** | 750   | 115   | 21,900         | 3,250         | 300             | 1.00       | 1.00       | 1.00        | 1.00        |
| RT196      | HPL 750/115X  | 750   | 115   | 16,400         | 3,050         | 1,500           | .64        | .74        | .64         | .74         |
| RT113      | HPL 575/115** | 575   | 115   | 16,520         | 3,250         | 300             | .82        | .75        | .78         | .76         |
| RT114      | HPL 575/115X  | 575   | 115   | 12,360         | 3,050         | 2,000           | .56        | .56        | .56         | .56         |
| RT142      | HPL 375/115   | 375   | 115   | 10,540         | 3,250         | 300             | .69        | .48        | .66         | .49         |
| RT143      | HPL 375/115X  | 375   | 115   | 8,500          | 3,050         | 1,000           | .48        | .36        | .45         | .37         |
| N/A        | HPL 750/120   | 750   | 120   | 21,900         | 3,250         | 300             | 1.00       | 1.00       | 1.00        | 1.00        |
| N/A        | HPL 750/120X  | 750   | 120   | 16,400         | 3,050         | 1,500           | .64        | .74        | .64         | .74         |
| RT115      | HPL 575/120   | 575   | 120   | 16,520         | 3,250         | 300             | .82        | .75        | .78         | .76         |
| RT171      | HPL 575/120X  | 575   | 120   | 12,360         | 3,050         | 2,000           | .56        | .56        | .56         | .56         |
|            |               |       |       |                |               |                 |            |            |             |             |
| RT112      | HPL 550/77*   | 550   | 77    | 16,170         | 3,250         | 300             | .84        | .74        | .80         | .75         |
| RT117      | HPL 550/77X*  | 550   | 77    | 12,160         | 3,050         | 2,000           | .59        | .56        | .59         | .56         |
|            |               |       |       |                |               |                 |            |            |             |             |
| RT160      | HPL 750/230** | 750   | 230   | 19,750         | 3,200         | 300             | .78        | .86        | .81         | .84         |
| N/A        | HPL 750/230X  | 750   | 230   | 15,600         | 3,050         | 1,500           | .49        | .68        | .50         | .66         |
| RT129      | HPL 575/230** | 575   | 230   | 14,900         | 3,200         | 400             | .64        | .65        | .62         | .64         |
| RT138      | HPL 575/230X  | 575   | 230   | 11,780         | 3,050         | 1,500           | .47        | .52        | .49         | .50         |
| RT154      | HPL 375/230X  | 375   | 230   | 7,800          | 3,050         | 1,000           | .35        | .34        | .34         | .33         |
| N/A        | HPL 750/240   | 750   | 240   | 19,750         | 3,200         | 300             | .78        | .86        | .81         | .84         |
| N/A        | HPL 750/240X  | 750   | 240   | 15,600         | 3,050         | 1,500           | .49        | .68        | .50         | .66         |
| RT130      | HPL 575/240   | 575   | 240   | 14,900         | 3,200         | 400             | .61        | .65        | .59         | .64         |
| RT139      | HPL 575/240X  | 575   | 240   | 11,780         | 3,050         | 1,500           | .44        | .52        | .45         | .50         |
| RT155      | HPL 375/240X  | 375   | 240   | 7,800          | 3,050         | 1,000           | .35        | .34        | .34         | .33         |

Source Four PARnels rated for 750W maximum.

\*77 Volt HPL lamps are for use with ETC Dimmer Doubling technology only.

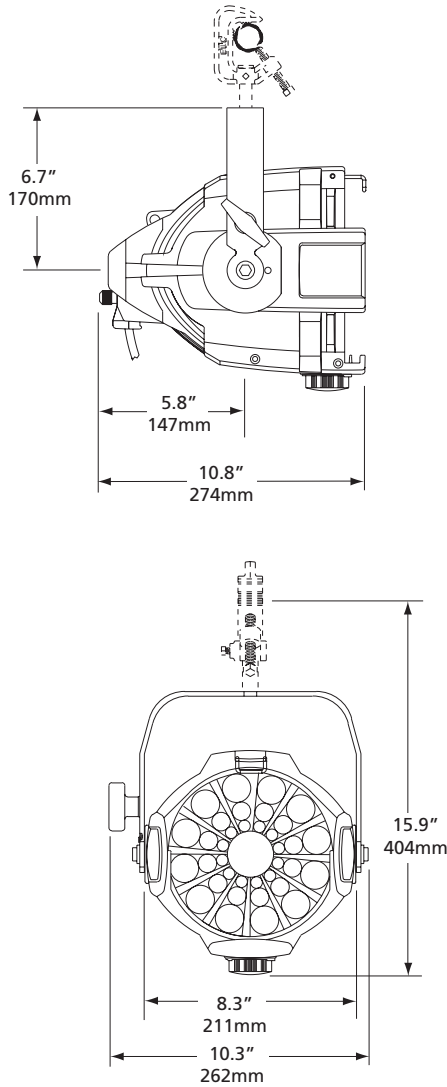
\*\*Photometric data was prepared using a production fixture and the Prometric CCD measurement system. Fixture adjusted for cosine distribution and tested with calibrated lamp at rated voltage. All data normalized to nominal lamp lumens in accordance with IES LM-73-04. Testing performed at ETC West, Hollywood, CA. All other multiplying factors extrapolated from primary test data.

For links to photometry file downloads (IES LM-63-02 format) go to [www.etconnect.com](http://www.etconnect.com).

HPL Specified Tolerances: Watts +/- 5%, Lumens +/-7%, Average life +/-10%, Color Temperature +/- 50K

"N/A" lamps are not available for purchase from ETC. Contact your Dealer for purchase.

PHYSICAL



ORDERING INFORMATION

Continued from front page...

Source Four PARNel Accessories

| MODEL   | DESCRIPTION                   |
|---------|-------------------------------|
| 407CF   | Color frame (7.5") (included) |
| 400SC   | Safety Cable                  |
| 400CC   | C-Clamp                       |
| 400PTH3 | Top hat, 3"                   |
| 400PTH6 | Top hat, 6"                   |
| 400PHH  | Half hat                      |
| 400XBTH | Cross baffle top hat          |
| 400PGE3 | Gel extender, 3"              |
| 400PGE6 | Gel extender, 6"              |
| 400BD   | Barn door                     |
| 400L    | Egg crate louver              |
| 400WB   | Weighted base                 |

Note: For colors other than black and white, please call ETC.

Source Four products are protected by one or more of the following patents:

|         |   |
|---------|---|
| U.S.    | USRE36,3316, US5,345,371, US6,092,914 and US5,775,799 |
| U.K.    | GB0592589, GB0673488, 99930527.9*                     |
| Germany | DE0592589, GB0673488, 99930527.9*                     |
| Japan   | JP2,501,772   |

\* European patent application number

Source Four PARNel Weights\*

| MODEL  | WEIGHT |     | SHIPPING WEIGHT |     |
|--------|--------|-----|-----------------|-----|
|        | lbs    | kgs | lbs             | kgs |
| PARNel | 8      | 3.6 | 12.8            | 5.8 |

\*Add 2.3 lbs for C-clamp



Corporate Headquarters • 3031 Pleasant View Rd, PO Box 620979, Middleton WI 53562 0979 USA • Tel +1 608 831 4116 • Fax +1 608 836 1736  
 London, UK • Unit 26-28, Victoria Industrial Estate, Victoria Road, London W3 6UU, UK • Tel +44 (0)20 8896 1000 • Fax +44 (0)20 8896 2000  
 Rome, IT • Via Pieve Torina, 48, 00156 Rome, Italy • Tel +39 (06) 32 111 683 • Fax +44 (0)20 8752 8486  
 Holzkirchen, DE • Ohmstrasse 3, 83607 Holzkirchen, Germany • Tel +49 (80 24) 47 00-0 • Fax +49 (80 24) 47 00-3 00  
 Hong Kong • Room 1801, 18/F, Tower 1 Phase 1, Enterprise Square, 9 Sheung Yuet Road, Kowloon Bay, Kowloon, Hong Kong • Tel +852 2799 1220 • Fax +852 2799 9325  
 Web • www.etcconnect.com • Copyright©2010 ETC. All Rights Reserved. All product information and specifications subject to change. 7061L1006 Rev. F Printed in USA 12/10