



1000L-SM w/F5-BD4

Fixture Type:

1000 WATT

1000L

**The ProLine 1000L Tungsten-Halogen
5" Fresnel**

The Proline 1000L is designed to handle small key, backlight or kicker applications, yet compact enough to be used on wall plates, hangers and trombones. This light features a front door with spring loaded accessory ear, a short lead for grid use or a 25' cable with heavy duty in-line switch for location. Also supplied with this fixture in a 130 mm short focus lens, safety screen, tubular steel yoke with combo adapter or pipe clamp, cord wrap and hinged filter frame. The 1000L accepts all standard 7³/₄" (19.68 cm) accessories. Also available for this unit are 4-leaf or 8-leaf barndoors, a 3-in-1 snoot set, and a full compliment of scrims. This fixture is available in either stand mounted or hanging versions. Included in every Proline fixture is Altman's new "F/S EZ Glide System" which allows the tray assembly to flood and spot with ease.

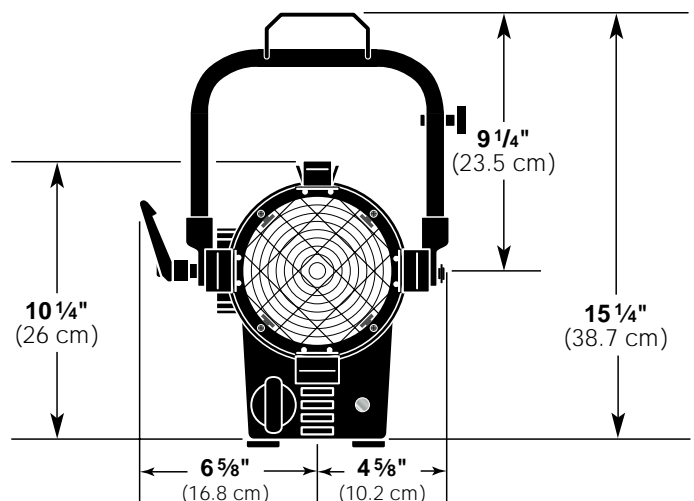
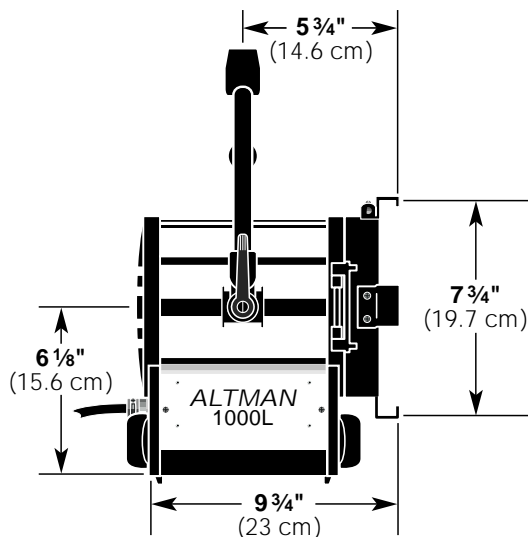
Specifications subject to change without notice

Features

- Rugged lightweight die-cast and extruded aluminum housing
- Rib design for superior strength and ventilation
- Easy operating focusing control with Teflon guides (see side photo)
- Spring loaded top accessories latch
- Lightweight, tubular steel yoke
- Non-corroding materials and hardware
- Hinged filter frame included
- Wire safety screen included
- U.L., c.U.L. and CE listed for 1000 watts
- Made in the USA



F/S EZ Glide System



Specifications

Housing: Die-cast and extruded aluminum construction.

Materials: Construction employs all corrosion resistant materials and hardware.

Yoke: Tubular steel yoke with 1/2" (12.7 mm) opening and Kipp™ handle.

Reflector: Spherical, super pure aluminum reflector finished with a thermal brightening process.

Lens: Thermal shock resistant, 5.1" (130 mm) borosilicate glass Fresnel Lens.

Socket: Medium bi-post, G22 type.

Rating: 1000 watt 120/240 volt AC/DC operation.

Focusing: Reflector, socket and lamp carriage, controlled with a Hi-Temp front and rear focusing knob, are driven along Teflon guide rods by a worm gear.

Accessories: Front end accessory holder accepts 7 3/4" (19.68 cm) accessories.

Finish: Etched metallic finish with a clear anodized coating, trimmed with a black epoxy sandtex, electrostatic application.

Weight: Approx; 11.5 lbs. (5.2 kg.) for 1000L-HM.
Approx; 12.5 lbs. (5.7 kg.) for 1000L-SM.



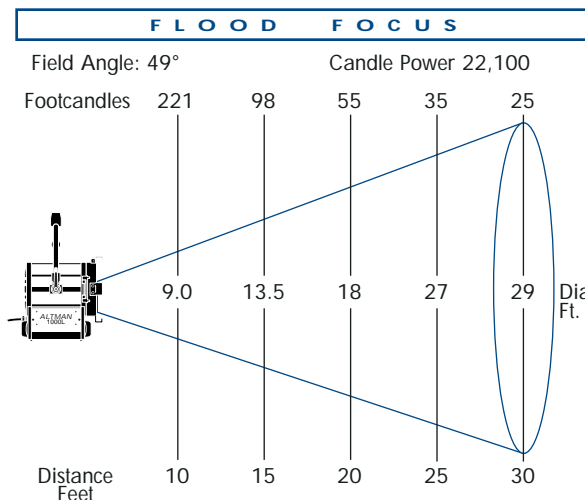
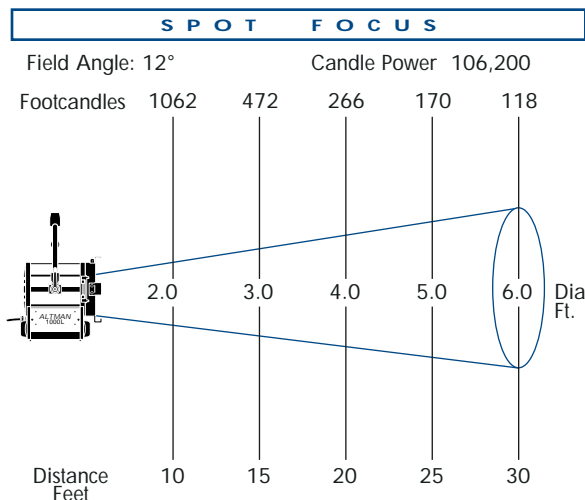
ACCESSORIES SUPPLIED WITH HANGING MODEL	
72-0035	F5 Front Mesh
F-CRL	Long Cord Wrap
F5-FF	Hinged Filter Frame
510	Malleable Iron Pipe Clamp
—	36" (91.44 cm) Power Cord

ADDITIONAL ACCESSORIES	
F5-BD4	4 Leaf Barn Door
F5-BD8	8 Leaf Barn Door
F5-SN	3 in 1 Snoot Set
F5-FS	Full Single Scrim
F5-HS	Half Single Scrim
F5-FD	Full Double Scrim
F5-HD	Half Double Scrim

ACCESSORIES SUPPLIED WITH STANDING MODEL	
72-0035	F5 Front Mesh
F-CRL	Long Cord Wrap
F5-FF	Hinged Filter Frame
F-SAS	Combination 5/8" x 1 1/8" Spigot
—	25' Power Cord with In-Line Switch

LAMP DATA

Watts	Volts	Lamp Code	Color Temp(K°)	Rated Life	Rated Lumens
500	120	EGN	3200	100	13,000
750	120	EGR	3200	200	20,000
1000	120	EGT	3200	200	28,000
1000	220/240	FKJ	3200	200	25,500



Calibrated CCD Camera Measurements with EGT LAMP.