



**Studio Panel LED Luminaire**

Studio Panel is a compact light weight LED luminaire designed for both studio and location use. Units feature calibrated tunable white color temperature control from 3000K to 6000K making it ideal for a wide range of lighting applications.

Requiring just 50 watts the unit will operate on AC or DC voltage. The battery power input is designed to allow location operation using industry standard batteries. An available range of holographic diffusers provide beam angle control with minimal light loss.

**Features**

- Compact lightweight design
- Standard 19 degree beam angle with available diffusion lenses (40 and 60 degree - both sold separately) for a wide range of focus control
- 8 or 16 bit control from any DMX512 control source
- Local control for intensity and color temperature
- 9 built-in color temperature presets including 3000K, 3200K, 4000K, 5600K, and 6000K
- Variety of accessories (all accessories are sold separately):
  - Snap-On Barndoors
  - Pistol Grip Handles
  - Anton Bauer Gold Series or V Lock Battery Mounts
  - Front Adapter Ring (accessory holder)
- Battery power (DC) input (with optional mount accessory)
- Operates on 100-240 VAC or 12 - 24 VDC
- cETLus listed, CE and C-Tick approvals and markings for global operation



**Studio Panel LED Luminaire**  
(Stand, by others)



**Studio Panel Pistol Grip Handles**  
(sold separately)



SPECIFICATION SUBMITTAL

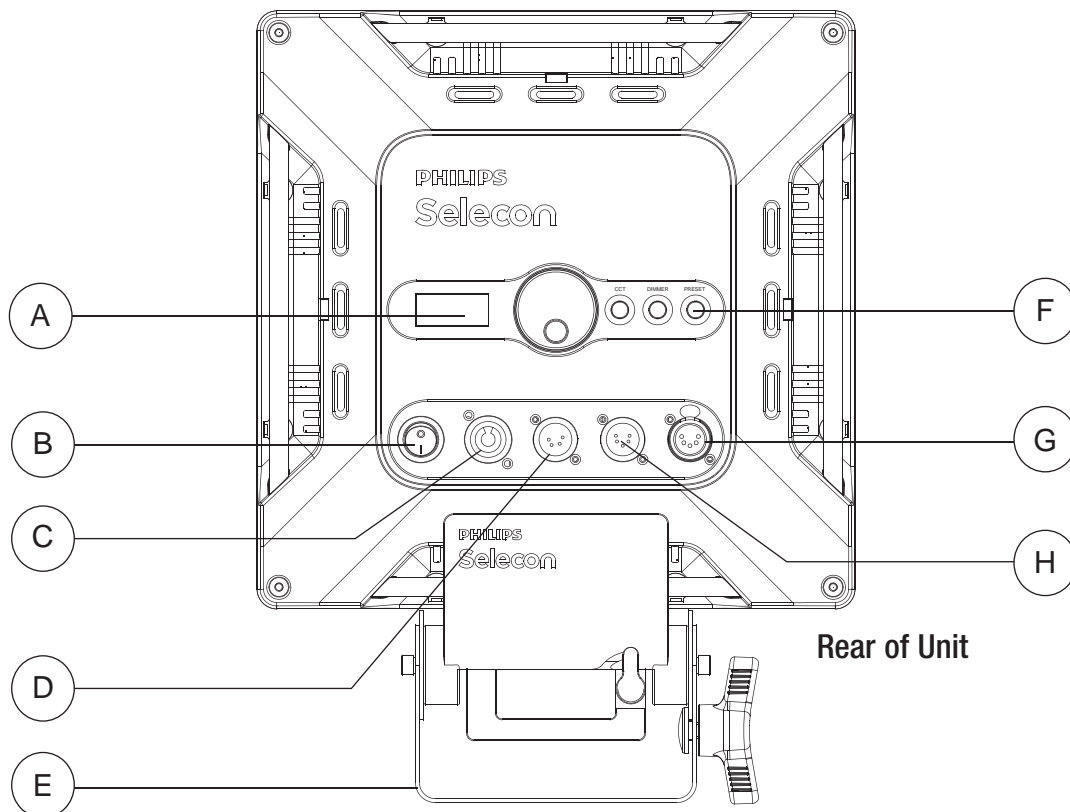
CONSULTANT: <input type="text"/>	PROJECT NAME: <input type="text"/>	MODEL NUMBER   QUANTITY: <input type="text"/> <input type="text"/> <input type="text"/> <input type="text"/> <input type="text"/> <input type="text"/>
DATE: <input type="text"/>	PROJECT NUMBER: <input type="text"/>	APPROVED BY: <input type="text"/>



The Studio Panel LED Luminaire offers a removable / repositionable handle/mount assembly



Studio Panel LED Luminaire Connections & Menu System



- A. LCD Display / Menu System
- B. On / Off Power Switch
- C. AC Input Connector
- D. DC Input Connector
- E. Detachable / Repositionable Handle & Mount
- F. Menu System Controls (Menu Navigation, CCT, Dimmer & Preset recall)
- G. DMX512 / RDM Input
- H. DMX512 / RDM Output/Thru



Anton Bauer Gold Series Battery Mount



V Lock Battery Mount

The Studio Panel LED Luminaire can operate with a battery with the use of an optional battery mount.

## Technical Specifications

(Battery mounts sold separately, batteries are by others)

### Electrical Specifications

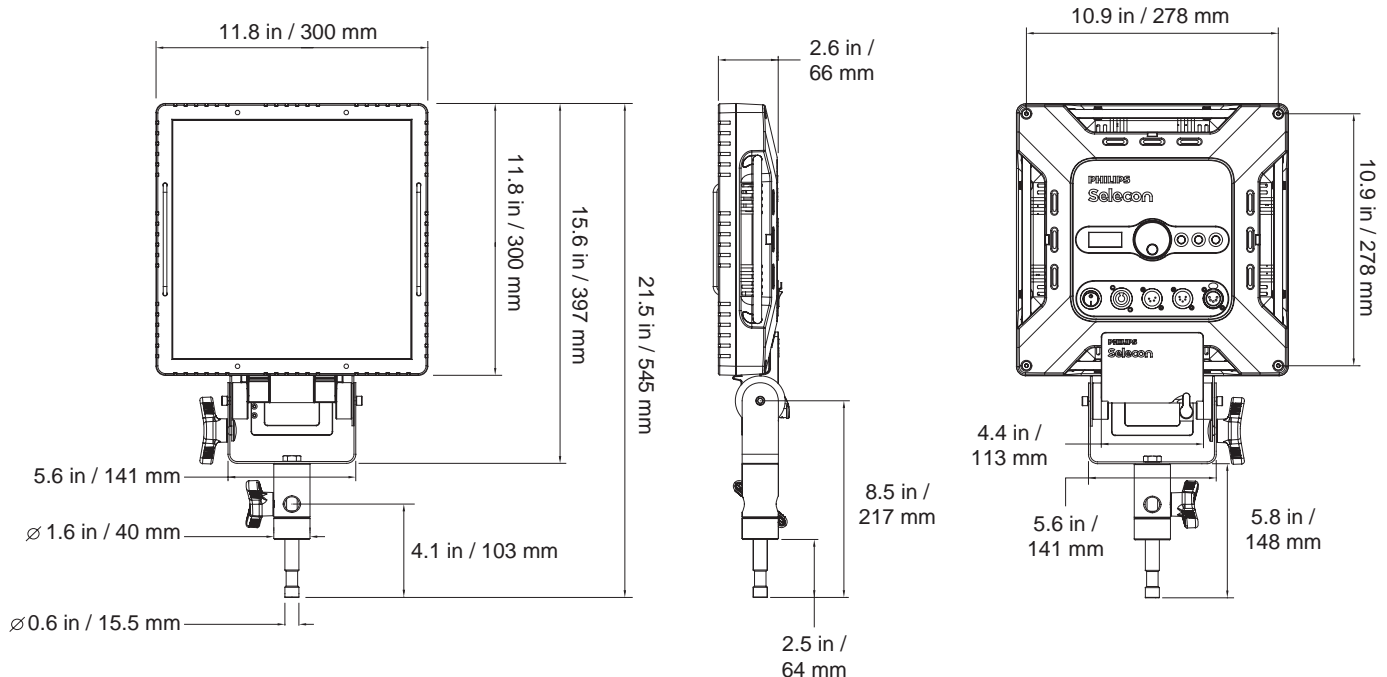
Source:	Tunable White LED Array
Output:	> 2,000 lumens (white light)
Color Temperature:	3000 - 6000K (user adjustable) CAL ON 2700 - 6500K CAL OFF
Operating Voltages (AC):	100 to 240 Volts AC (auto-ranging)
Current (AC):	0.80 Amps (max.) at 115V / 0.40 Amps (max.) at 230V
Operating Voltages (DC):	12 to 24 Volts DC (auto-ranging, 50W max.)
Frequency:	50/60 Hz
Ambient Temperature:	0° to 40°C (32° to 104°F)
Humidity:	5%-95% Non condensing
Control:	DMX512 (1990) / DMX512A (RDM) / On-Board Menu
DMX512 Channels:	4 Channels (16-Bit Mode) 2 Channels (8-Bit Mode)

### Mechanical Specifications

Construction:	Die cast aluminum and molded engineering grade plastic components
Color Options:	Black
Weight:	5.1 lbs / 2.3 kg (luminaire only)
Cooling:	Natural Convection
Standards Compliance:	cETLus listed, CE Marked, IP20 Rated



## Studio Panel LED Luminaire Dimensions



Note: Shown with supplied stud adapter installed. This adapter is removable.



**Studio Panel Barndoors**  
(sold separately, 2 sets shown)



**Studio Panel Front Adapter Ring / Accessory Holder**  
(sold separately)

**Ordering Information**

**Cat No. Description**

Studio Panel Luminaires		Studio Panel Luminaire Accessories	
PLSTUPNL-03	Studio Panel LED Luminaire*	PLSTUPNLBD	2-Leaf Snap On Barndoor
<b>Studio Panel Luminaire Input Cables**</b>		PLSTUPNLSAF	Female 5/8-Inch Stud Adapter
PC1BE	1 Meter AC Input Cable***	PLSTUPNLSAM	Male 5/8-Inch Stud Adapter
PC1GP	1 Meter AC Input Cable - Stage Pin	MC	Megaclaw, Black Anodized
PC1GTL	1 Meter AC Input Cable - Twistlock	SC	Molded Yoke C-Clamp
PC1GR	1 Meter AC Input Cable - Edison	HC	Light Weight Half Coupler
PC3BE	3 Meter AC Input Cable***	82003	Safety Cable
PC8BE	8 Meter AC Input Cable***	PLSTUPNLL40	40-Degree Standard Spread Lens
PC8GR	8 Meter AC Input Cable - Edison	PLSTUPNLL60	60-Degree Standard Spread Lens
		PLSTUPNLADPTRG	Front Mount, Accessory Holder Adapter Ring
<b>NOTES:</b>		PLSTUABBH	Anton Bauer Gold Series Battery Mount Plate****
* All units include PC1GR 1 Meter AC Input Cable (male Edison connector installed), stud adapter (male/female), handle/mount assembly, and installation & user's manual		PLSTUVLBH	V-Lock Style Battery Mount Plate****
** All AC input cables supplied with a Powercon connector to mate to fixture.		PLSTUPHG	Pistol Grip Handles (sold in pairs)
*** Cable supplied bare-ended. User supplies and installs AC input connector.			
**** Batteries sold separately and by others.			

**Philips Selecon**

**Dallas**  
10911 Petal Street  
Dallas, TX 75238  
Tel: +1 (214) 647-7880  
Fax: +1 (214) 647-8031

**Auckland**  
19-21 Kawana Street  
Northcote, Auckland 0627  
New Zealand  
Tel: + 64 9 481 0100  
Fax: + 64 9 481 0101

[www.seleconlight.com](http://www.seleconlight.com)  
© Philips Group 2013  
All rights reserved.  
The Company reserves the right to make any variation in design, construction or descriptions contained herein, of the equipment, at any time without prior notice. E&OE

**Asia**  
Unit C, 14/F,  
Roxy Industrial Centre  
No. 41-49 Kwai Cheong Road  
Kwai Chung, N.T., Hong Kong  
Tel: +852 2796 9786  
Fax: +852 2798 6545

**Europe**  
European Service & Distribution Centre  
Rondweg zuid 85  
Winterswijk 7102 JD  
the Netherlands  
Tel: +31 (0) 543-542516

