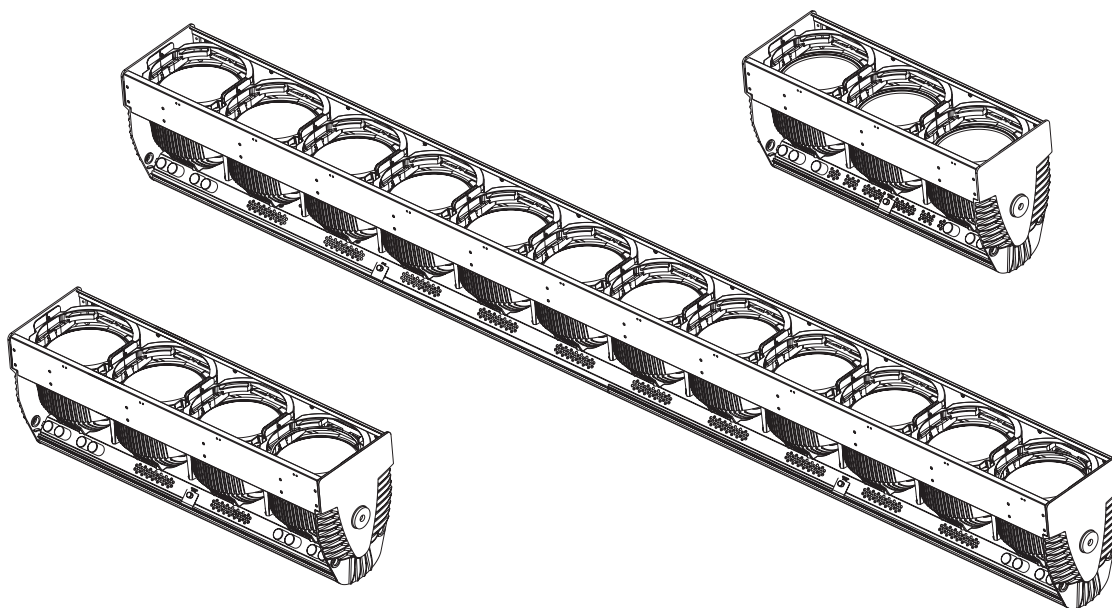




100V 115/120V 230/240V

MultiPAR Series



SPECIFICATIONS

PHYSICAL

- Rugged die cast and extruded aluminum construction
- Sturdy sheet metal steel parts
- Spring loaded gel frames
- Eight-inch centered lamps
- Tool-free lens and lamp access
- UL and cUL Listed

ELECTRICAL

- 115-240V, 50/60Hz
- User configurable circuits for 12 cell unit
- High temperature 3-conductor leads

LAMP

- 750 watt maximum
- HPL-compact tungsten filament contained in a krypton filled quartz envelope
- Patented filament geometry provides efficient light collection and transmission
- Integral die cast aluminum heat sink lamp base

LENSES

- Four heat resistant, molded borosilicate glass lenses supplied for each lamp cell: very narrow spot (VNSP), narrow spot (NSP), medium flood (MFL), and wide flood (WFL).
- Tool-free lens changing

OPTICAL

- Modified parabolic and multi-faceted reflector
- Enhanced aluminum deposition process
- Integral heat sink fins designed into reflector and body casting for thermal control

ORDERING INFORMATION

Source Four MultiPAR

MODEL	DESCRIPTION
MutliPAR-3	Three cell MultiPAR striplight
MutliPAR-4	Four cell MultiPAR striplight
MutliPAR-12*	Twelve cell MultiPAR striplight

All units includes gel frames and lens sets

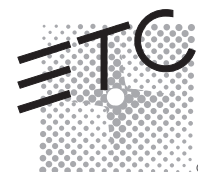
* MultiPAR 12 units are easily configurable to 3- or 4-circuit operation. Ship standard with input leads only. No outlut leads available.

Connector Designation

Use Suffixes below to specify Factory-Fitted Connector type

MODEL	DESCRIPTION
-A	Parallel-blade U-ground connector
-B	Two-pin and ground, 20A connector
-C	Grounded, 20A twistlock connector

See back page for Source Four MultiPAR Accessories



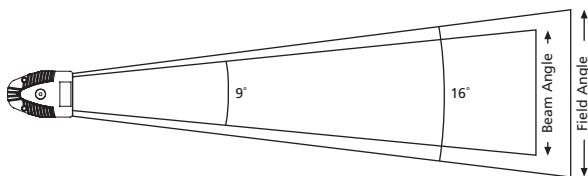
PHOTOMETRICS

Photometric data below is measured with an HPL 750W/115V 300 hr lamp. To convert data when using any other HPL lamp, use the lumen or candela multiplying factors (Lm MF or Cd MF) for that specific lamp. These multiplying factors are listed in the Lamps table in this datasheet. For lumen data, multiply by the Lm MF. For candela or footcandle data, multiply by the Cd MF.

Source Four PAR MultiPAR with VNSP lens

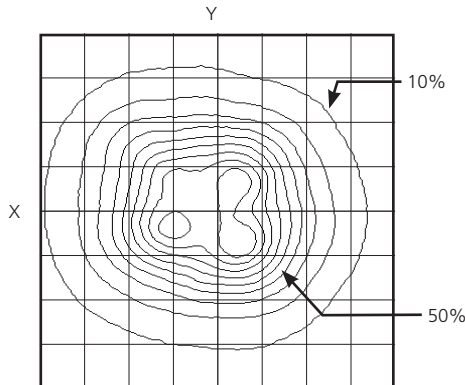
Degree	Candela	Field Lumens	Beam Lumens	Efficiency	Lumens per watt
VNSP	382,145	9,640	5,395	44%	12.9

For Field diameter at any distance, multiply distance by 0.29
 For Beam diameter at any distance, multiply distance by 0.16

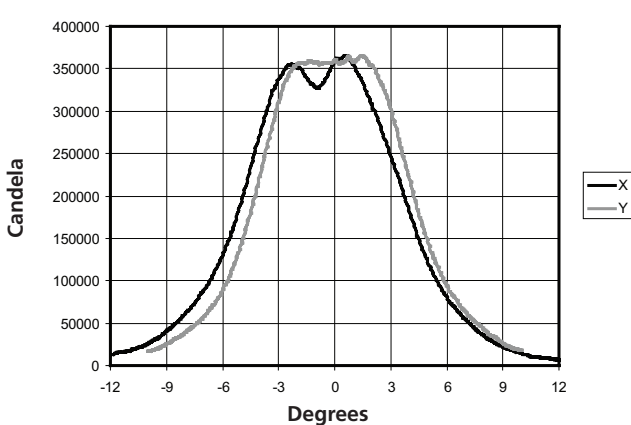


Throw Distance (d)	30'	50'	70'	85'
	9.1m	15.2m	21.3m	25.9m
Field Diameter	8.6'	14.4'	20.2'	24.5'
	2.6m	4.4m	6.1m	7.5m
Illuminance (fc)	425	153	78	53
Illuminance (lux)	4,570	1,645	839	569

Iso-Illuminance Diagram (Flat Surface Distribution)



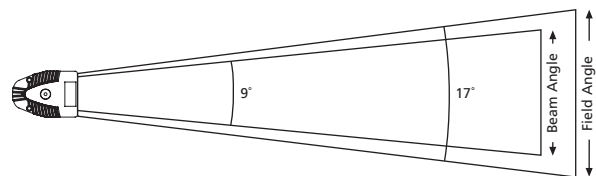
Candela Plot



Source Four PAR MultiPAR with NSP lens

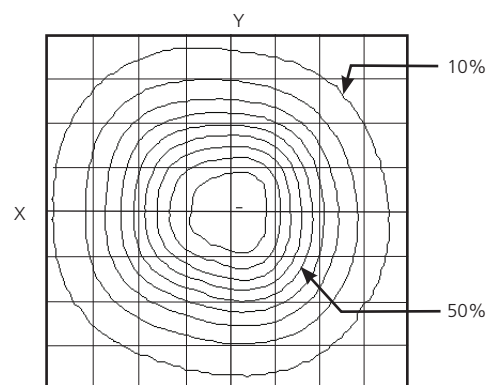
Degree	Candela	Field Lumens	Beam Lumens	Efficiency	Lumens per watt
NSP	336,740	9,504	5,280	43.4%	12.7

For Field diameter at any distance, multiply distance by 0.30
 For Beam diameter at any distance, multiply distance by 0.16

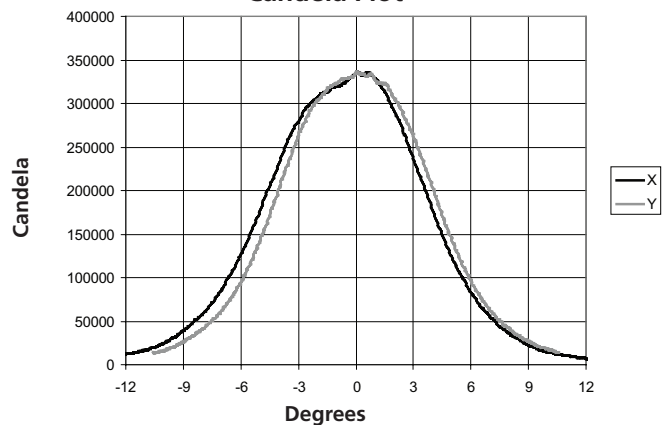


Throw Distance (d)	25'	45'	65'	80'
	7.6m	13.7m	19.8m	24.4m
Field Diameter	7.4'	13.3'	19.3'	23.7'
	2.3m	4.1m	5.9m	7.2m
Illuminance (fc)	539	166	80	53
Illuminance (lux)	5,799	1,790	858	566

Iso-Illuminance Diagram (Flat Surface Distribution)



Candela Plot



Metric Conversions: For Meters multiply feet by .3048
For Lux multiply footcandles by 10.76

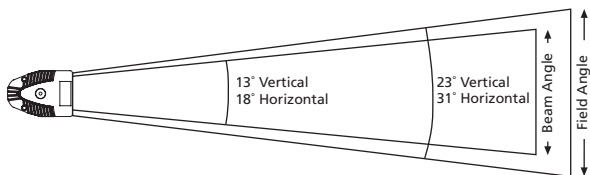
PHOTOMETRICS

Source Four PAR MultiPAR with MFL lens

Degree	Candela	Field Lumens	Beam Lumens	Efficiency	Lumens per watt
MFL	135,224	9,889	5,582	45.2%	13.2

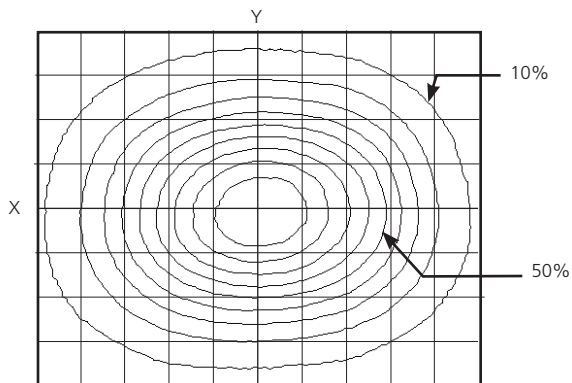
For Field diameter at any distance, multiply distance by 0.41V / 0.56H

For Beam diameter at any distance, multiply distance by 0.22V / 0.33H

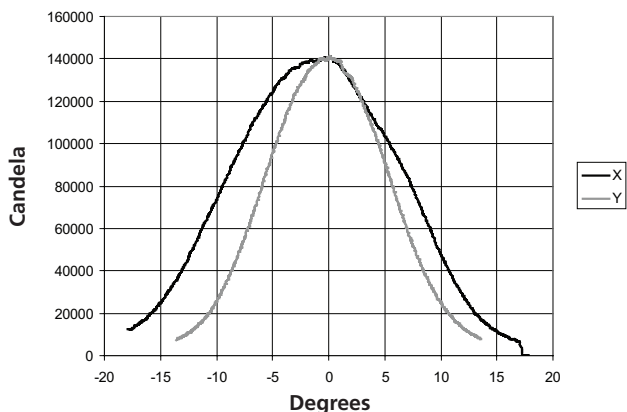


Throw Distance (d)	15'	25'	40'	50'
	4.6m	7.6m	12.2m	15.2m
Field Diameter	6.2'	10.3'	16.6'	20.7'
	1.9m	3.2m	5.0m	6.3m
Illuminance (fc)	601	216	85	54
Illuminance (lux)	6,469	2,329	910	582

Iso-Illuminance Diagram (Flat Surface Distribution)



Candela Plot

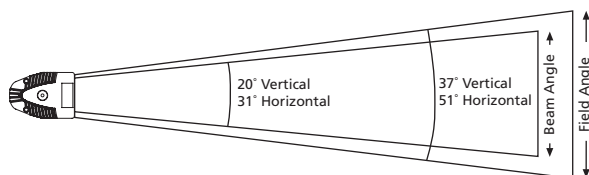


Source Four PAR MultiPAR with WFL lens

Degree	Candela	Field Lumens	Beam Lumens	Efficiency	Lumens per watt
WFL	47,269	9,219	5,238	42.1%	12.3

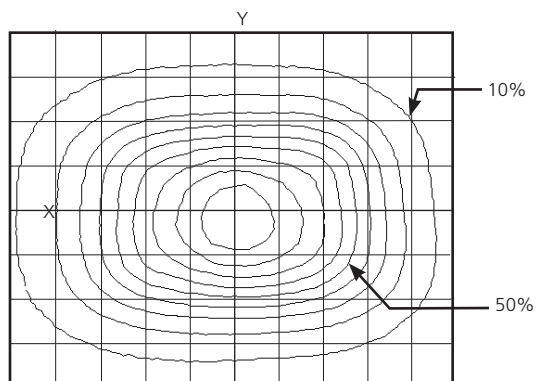
For Field diameter at any distance, multiply distance by 0.66V / 0.95H

For Beam diameter at any distance, multiply distance by 0.35V / 0.55H

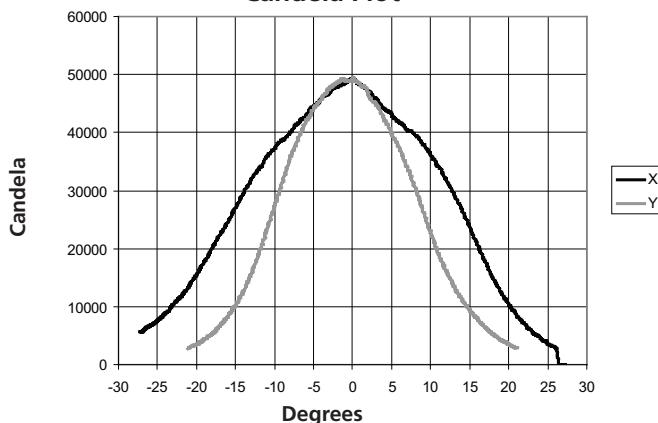


Throw Distance (d)	8'	16'	24'	30'
	2.4m	4.9m	7.3m	9.1m
Field Diameter	5.3'	10.6'	15.8'	19.8'
	1.6m	3.2m	4.8m	6.0m
Illuminance (fc)	739	185	82	53
Illuminance (lux)	7,950	1,987	883	565

Iso-Illuminance Diagram (Flat Surface Distribution)



Candela Plot



MultiPAR Series

L A M P S

To determine Candela (Cd) or Lumens (Lm) for any other HPL lamp, multiply the Candela or Lumen value by the appropriate multiplying factor (CdMF or LmMF) shown for that lamp in the table below.

ETC Part #	Lamp Code	Watts	Volts	Initial Lumens	Color Temp. K	Avg. Rated Life	VNSP Cd MF	VNSP Lm MF	NSP Cd MF	NSP Lm MF	MFL Cd MF	MFL Lm MF	WFL Cd MF	WFL Lm MF
RT116	HPL 750/115	750	115	21,900	3,250	300	1.00	1.00	1.00	1.00	1.00	1.00	1.00	1.00
RT196	HPL 750/115X	750	115	16,400	3,050	1,500	.64	.74	.64	.74	.64	.74	.64	.74
RT113	HPL 575/115	575	115	16,520	3,250	300	.92	.75	.88	.75	.80	.77	.75	.77
RT114	HPL 575/115X	575	115	12,360	3,050	2,000	.56	.56	.56	.56	.56	.56	.56	.56
RT142	HPL 375/115	375	115	10,540	3,250	300	.78	.48	.74	.48	.67	.49	.63	.49
RT143	HPL 375/115X	375	115	8,500	3,050	1,000	.54	.36	.51	.36	.46	.37	.44	.37
N/A	HPL 750/120	750	120	21,900	3,250	300	1.00	1.00	1.00	1.00	1.00	1.00	1.00	1.00
N/A	HPL 750/120X	750	120	16,400	3,050	1,500	.64	.74	.64	.74	.64	.74	.64	.74
RT117	HPL 575/120	575	120	16,520	3,250	300	.92	.75	.88	.75	.80	.77	.75	.77
RT171	HPL 575/120X	575	120	12,360	3,050	2,000	.56	.56	.56	.56	.56	.56	.56	.56
RT112	HPL 550/77*	550	77	16,170	3,250	300	.94	.74	.90	.74	.81	.75	.77	.75
RT117	HPL 550/77X*	550	77	12,160	3,050	2,000	.59	.56	.59	.56	.59	.56	.59	.56
RT160	HPL 750/230	750	230	19,750	3,200	300	.61	.82	.64	.80	.74	.79	.76	.79
N/A	HPL 750/230X	750	230	15,600	3,050	1,500	.38	.64	.40	.63	.46	.63	.47	.62
RT129	HPL 575/230	575	230	14,900	3,200	400	.53	.61	.54	.60	.59	.61	.58	.60
RT138	HPL 575/230X	575	230	11,780	3,050	1,500	.37	.49	.38	.48	.45	.48	.46	.47
RT154	HPL 375/230X	375	230	7,800	3,050	1,000	.29	.32	.30	.31	.33	.32	.32	.31
N/A	HPL 750/240	750	240	19,750	3,200	300	.61	.82	.64	.80	.74	.79	.76	.79
N/A	HPL 750/240X	750	240	15,600	3,050	1,500	.38	.64	.40	.63	.46	.63	.47	.62
RT130	HPL 575/240	575	240	14,900	3,200	400	.51	.61	.52	.60	.56	.61	.55	.60
RT139	HPL 575/240X	575	240	11,780	3,050	1,500	.34	.49	.36	.48	.42	.48	.43	.47
RT155	HPL 375/240X	375	240	7,800	3,050	1,000	.29	.32	.30	.31	.33	.32	.32	.31

Source Four MultiPAR is rated for 750W maximum.

*77 Volt HPL lamps are for use with ETC Dimmer Doubling technology only.

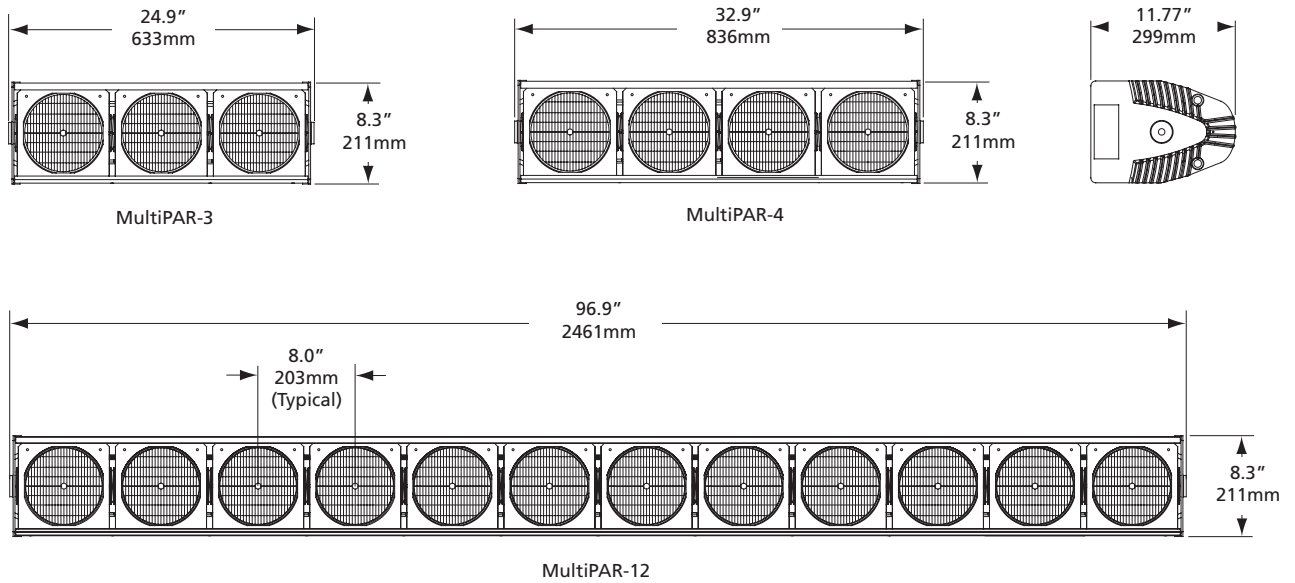
**Photometric data was prepared using a production fixture and the Prometric CCD measurement system. Fixture adjusted for cosine distribution and tested with calibrated lamp at rated voltage. All data normalized to nominal lamp lumens in accordance with IES LM-73-04. Testing performed at ETC West, Hollywood, CA. All calibrated lamp data measurements generated by ITL, Inc., Boulder, CO. All other multiplying factors extrapolated from primary test data.

For links to photometry file downloads (IES LM-63-02 format) go to www.etcconnect.com.

HPL Specified Tolerances: Watts +/- 5%, Lumens +/-7%, Average life +/-10%, Color Temperature +/- 50K

"N/A" lamps are not available for purchase from ETC. Contact your Dealer for purchase.

PHYSICAL

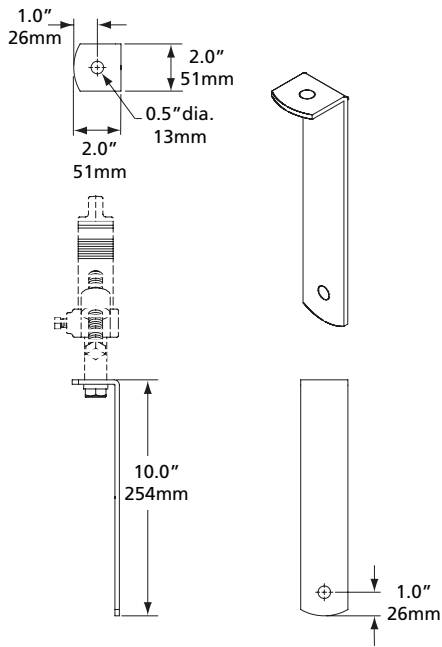


Source Four MultiPAR Weights

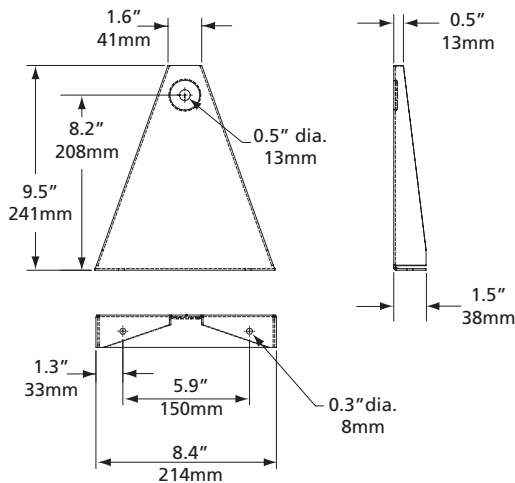
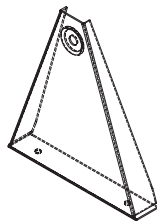
MODEL	WEIGHT		SHIPPING WEIGHT	
	lbs	kgs	lbs	kgs
MultiPAR-3	25	11	39	18
MultiPAR-4	33	15	48	22
MultiPAR-12	83	38	130	59

ACCESSORIES	WEIGHT	
	lbs	kgs
Hanger Bracket Kit	8	4
Trunnion Kit	4	2
Lens Kit	2.5	1
MultiPAR-3 Lens Kit	7.5	4
MultiPAR-4 Lens Kit	10	5
MultiPAR-12 Lens Kit	30	14

MULTIPAR HANGER



MULTIPAR TRUNNION



ORDERING INFORMATION

Continued from front page...

Source Four MultiPAR Accessories

MODEL	DESCRIPTION
407CF	Color frame (7.5") (one per cell included)
400SC	Safety Cable
400CC	C-Clamp
400-VNSP	Very Narrow Spot lens
400-NSP	Narrow Spot lens
400-MFL	Medium Flood lens
400-WFL	Wide Flood lens
400-LS4	Set of four Source Four PAR lenses (VNSP, NSP, MFL, WFL)
400-XWFL	Extra Wide Flood lens (optional - not included with fixtures)
MPARHBK	Hanger Bracket Kit (for pipe hanging) - includes two brackets and two c-clamps
MPARTK	Trunnion Kit (for floor mounting) - includes two trunnions
MPARHanger	Single MultiPAR Hanger (2 required)
MPARTrunnion	Single MultiPAR Trunnion (2 required)
Flipper 3	Flipper for MultiPAR 3-Cell Unit
Flipper 4	Flipper for MultiPAR 4-Cell Unit
Flipper 12	Flipper for MultiPAR 12-Cell Unit

Source Four products are protected by one or more of the following patents:

U.S.	USRE36,3316, US5,345,371, US6,092,914 and US5,775,799
U.K.	GB0592589, GB0673488, 99930527.9*
Germany	DE0592589, GB0673488, 99930527.9*
Japan	JP2,501,772

* European patent application number



Corporate Headquarters • 3031 Pleasant View Rd, PO Box 620979, Middleton WI 53562 0979 USA • Tel +1 608 831 4116 • Fax +1 608 836 1736

London, UK • Unit 26-28, Victoria Industrial Estate, Victoria Road, London W3 6UU, UK • Tel +44 (0)20 8896 1000 • Fax +44 (0)20 8896 2000

Rome, IT • Via Pieve Torina, 48, 00156 Rome, Italy • Tel +39 (06) 32 111 683 • Fax +44 (0)20 8752 8486

Holzkirchen, DE • Ohmstrasse 3, 83607 Holzkirchen, Germany • Tel +49 (80 24) 47 00-0 • Fax +49 (80 24) 47 00-3 00

Hong Kong • Room 1801, 18/F, Tower 1 Phase 1, Enterprise Square, 9 Sheung Yuet Road, Kowloon Bay, Kowloon, Hong Kong • Tel +852 2799 1220 • Fax +852 2799 9325

Web • www.etcconnect.com • Copyright©2010 ETC. All Rights Reserved. All product information and specifications subject to change. 7061L1012 Rev. F Printed in USA 12/10